

# Fireman Switch

Enclosed Switches

2CMC300001D0002 July 2007



**ABB**

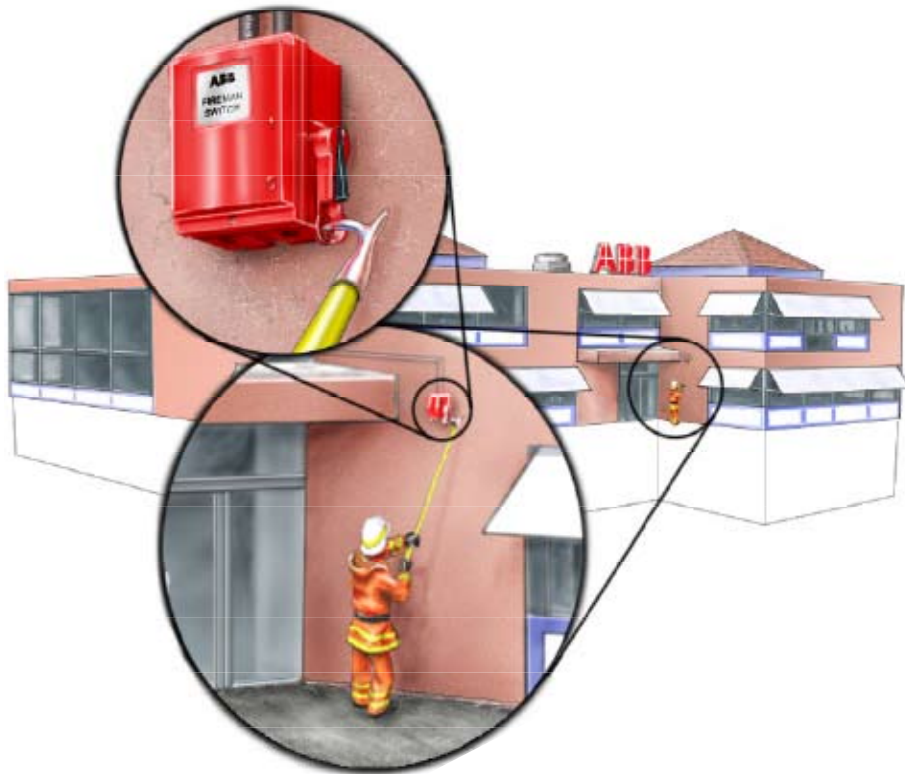
---

## Fireman Switch

---

The fireman switch is a specialized switch disconnect/isolator. You can often see these switches on the outside wall of shops, industries or commercial buildings. They are used by firemen to turn off neon-lighting or other electrical equipment in case of fire to prevent the overheated equipment from exploding.

The enclosure is made of non flammable material and painted red to be easy to spot. The on & off positions are clearly indicated on the front side with "I" and "O". The operating handle is designed in such a way that a fireman-hook or axe can be used to switch off. To reset a so called "two hands grip" must be used. The interlocking mechanism prevents accidental manoeuvres.



- Robust & reliable design in non flammable material (Aluminum).
- Operating handle locked in "O" position and a two hands grip to reset for safety reasons.
- Easy to install and to operate. Possible to add on an auxiliary contact.
- Complies with IEC 60947-3 and BS7671.

# Fireman Switch



## General Technical Data

Degree of protection: IP65  
 Material: Aluminium alloy (silumin)  
 Further technical data: See catalogue 2CMC341002D0001 from Januari 2007

Standards  
 Devices complying with:  
 - International standards IEC 60947-3  
 - British standards BS7671 (Requirements for electrical Installations)

Order Code	Type	Poles	IeA AC23A 400V	IeA AC22A 400V	Cable entries M Up Down	Termi- nals mm <sup>2</sup>	Pack qty	Weight kg/ each
2CMA144648R1000	KSF 225 M/DP	2	16	25	2/25 2/25+1/16	4	10	0.53
2CMA144641R1000	KSF 325 M/TPN	3	16	25	2/25 2/25+1/16	4 <sup>3)</sup>	10	0.55
2CMA144640R1000 <sup>1)</sup>	KSF 325 M/TPN NC	3	16	25	2/25 2/25+1/16	4 <sup>3)</sup>	10	0.55
2CMA144643R1000 <sup>2)</sup>	KSF 325 M/TPN NO	3	16	25	2/25 2/25+1/16	4 <sup>3)</sup>	10	0.55
2CMA144677R1000	KSF 425 M/TPSN	4	16	25	2/25 2/25+1/16	4	10	0.58
2CMA144642R1000	KSF 340 M/TPN	3	25	40	2/25 2/25+1/16	10 <sup>3)</sup>	10	0.60
2CMA144679R1000	KSF 440 M/TPSN	4	25	40	2/25 2/25+1/16	10	10	0.60

<sup>1)</sup> Auxiliary contact included, NC = Normal closed

<sup>2)</sup> Auxiliary contact included, NO = Normal open.

<sup>3)</sup> Neutral terminal included

## Installation/Wiring

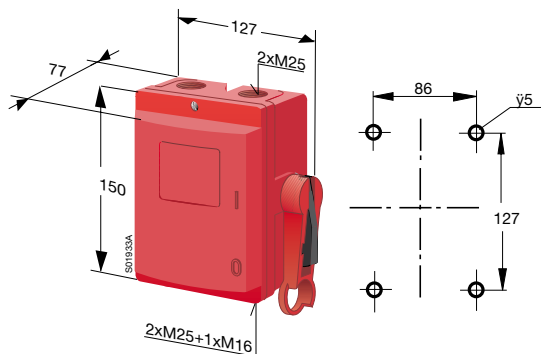
The Fireman Switch is used for the breaking of the low voltage circuit of exterior and interior signs and luminaries installations e.g. neon signs for AC.

The Fireman Switch can also be used to operate the Under Voltage Release or Shunt Trip in the Main Incoming Breaker. If there is a fire in the building, the Fireman uses an insulated rod (Firemans Axe) to pull the handle to O position which isolates the utility supply to the building.

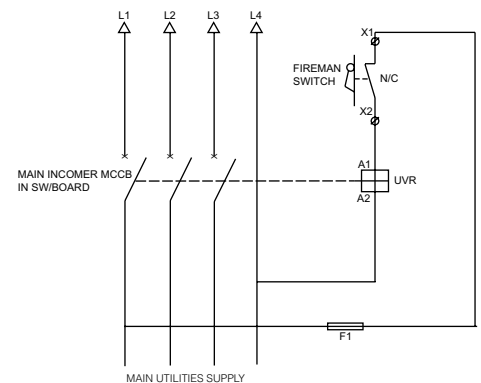
- The Under Voltage Release is fed through one of the Main Contacts of the Fireman Switch. When the voltage is removed, the Breaker Trips.
- The Shunt Trip is fed through N/C Auxiliary Contact. When the Fireman Switch closes, the Auxiliary Contact opens, giving power to the Shunt Trip which trips the Breaker.

The O position of the handle (vertically up or vertically down) may be specified in National Wiring Regulations. ABB Fireman Switch can be used both ways.

## Dimensions (in mm)



## Wiring diagram





---

**ABB AB**

Cewe-Control  
Box 1005, SE-611 29 Nyköping, Sweden  
Telephone +46 155 29 50 00  
Telefax +46 155 28 81 10  
<http://www.abb.com/lowvoltage>