

PLC-BSC- 24UC/ 1/ACT - Relay base



2982799

<https://www.phoenixcontact.com/nz/products/2982799>

Please be informed that the data shown in this PDF document is generated from our online catalog. Please find the complete data in the user documentation. Our general terms of use for downloads are valid.



6.2 mm PLC basic terminal block for output functions with screw connection, without relay or solid-state relay, for mounting on DIN rail NS 35/7,5, with load return line connection (BB), 1 N/O contact, input voltage 24 V AC/DC

Your advantages

- PLC actuator series with solid-state power relays for coupling the controller and actuators, such as motors, contactors, valves, etc.

Commercial data

Item number	2982799
Packing unit	10 pc
Minimum order quantity	10 pc
Sales key	CK6211
Product key	CK6211
Catalog page	Page 379 (C-5-2019)
GTIN	4046356409803
Weight per piece (including packing)	32.12 g
Weight per piece (excluding packing)	32.12 g
Country of origin	DE

PLC-BSC- 24UC/ 1/ACT - Relay base



2982799

<https://www.phoenixcontact.com/nz/products/2982799>

Technical data

Product properties

Product type	Relay socket
Product family	PLC-INTERFACE
Application	Output function
Operating mode	100% operating factor
Compatible components	Miniature relay, REL-MR-24DC/21, REL-MR-24DC/21AU; miniature optocoupler, OPT-24DC/24DC/2, OPT-24DC/48DC/100, OPT-24DC/230AC/1

Insulation characteristics

Pollution degree	3
------------------	---

Input data

Nominal input voltage U_N	24 V AC/DC
Protective circuit	Bridge rectifier

Relay assembly

Rated control circuit supply voltage U_S	24 V AC/DC
Voltage range with reference to U_S	0.8 ... 1.2
Typical input current at U_N	15.6 mA (50 Hz)
	8.5 mA (60 Hz)
Typical response time	5 ms
Typical release time	30 ms
Operating voltage display	Yellow LED
Protective circuit	Bridge rectifier; Bridge rectifier

Optocoupler assembly

Rated control circuit supply voltage U_S	24 V AC/DC
Voltage range with reference to U_S	0.8 ... 1.2
Typical input current at U_N	15 mA (50 Hz)
	8.3 mA (60 Hz)
Typical response time	10 ms
Typical release time	20 ms
Operating voltage display	Yellow LED
Protective circuit	Bridge rectifier; Bridge rectifier

Output data

Compatible components	Miniature relay, REL-MR-24DC/21, REL-MR-24DC/21AU; miniature optocoupler, OPT-24DC/24DC/2, OPT-24DC/48DC/100, OPT-24DC/230AC/1
Maximum switching voltage	33 V DC
Minimum switching voltage	3 V DC
Limiting continuous current	3 A (see derating curve)
Voltage drop at max. limiting continuous current	≤ 150 mV

PLC-BSC- 24UC/ 1/ACT - Relay base



2982799

<https://www.phoenixcontact.com/nz/products/2982799>

Output circuit	2-conductor, floating
Protective circuit	Reverse polarity protection Parallel polarity protection diode
	Surge protection
Maximum switching voltage	48 V DC
Minimum switching voltage	3 V DC
Limiting continuous current	100 mA
Voltage drop at max. limiting continuous current	≤ 1 V
Output circuit	2-conductor, floating
Protective circuit	Reverse polarity protection Parallel polarity protection diode
	Surge protection
Maximum switching voltage	253 V AC
Minimum switching voltage	24 V AC
Limiting continuous current	0.75 A (see derating curve)
Voltage drop at max. limiting continuous current	≤ 1 V
Output circuit	2-conductor floating, zero voltage switch
Protective circuit	RCV circuit
Leakage current	≤ 1 mA
Max. load value	4.5 A ² s (tp = 10 ms, at 25 °C)

Connection data

Connection method	Screw connection
Stripping length	8 mm
Screw thread	M3
Conductor cross section rigid	0.14 mm ² ... 2.5 mm ²
Conductor cross section flexible	0.14 mm ² ... 2.5 mm ²
	0.2 mm ² ... 2.5 mm ² (Single ferrule)
	2x 0.5 mm ² ... 1.5 mm ² (TWIN ferrule)
Conductor cross section AWG	26 ... 14
Tightening torque	0.45 Nm ... 0.55 Nm (Usually these terminal blocks must be supported during conductor connection (held by one hand, supported on the housing))

Dimensions

Width	6.2 mm
Height	80 mm
Depth	94 mm

Material specifications

Color	gray (RAL 7042)
Flammability rating according to UL 94	V0 (Housing)

Environmental and real-life conditions

Ambient conditions

Ambient temperature (operation)	-20 °C ... 60 °C
---------------------------------	------------------

PLC-BSC- 24UC/ 1/ACT - Relay base



2982799

<https://www.phoenixcontact.com/nz/products/2982799>

Ambient temperature (storage/transport)	-40 °C ... 85 °C
---	------------------

Approvals

CE

Certificate	CE-compliant
-------------	--------------

UKCA

Certificate	UKCA-compliant
-------------	----------------

Shipbuilding approval

Certificate	TAE0000196
-------------	------------

Corrosive gas test

Identification	ISA-S71.04. G3 Harsh Group
	EN 60068-2-60

DNV GL data

Temperature	D
Humidity	A
Vibration	B/C
EMC	B
Enclosure	Required protection according to the Rules shall be provided upon installation on board

EMC data

Low Voltage Directive	Conformance with Low Voltage Directive
Electromagnetic compatibility	Conformance with EMC directive

Mounting

Mounting type	DIN rail mounting
Assembly instructions	in rows with zero spacing
Mounting position	any

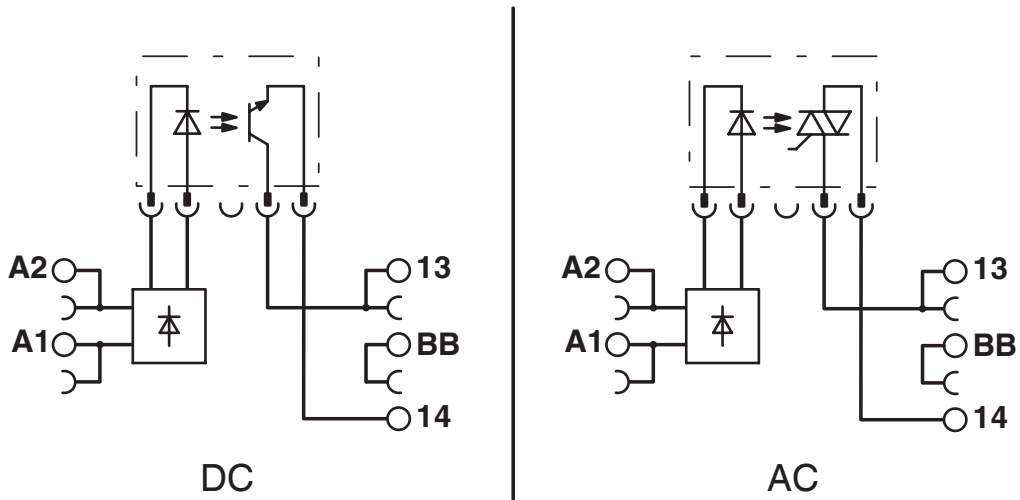
PLC-BSC- 24UC/ 1/ACT - Relay base

2982799

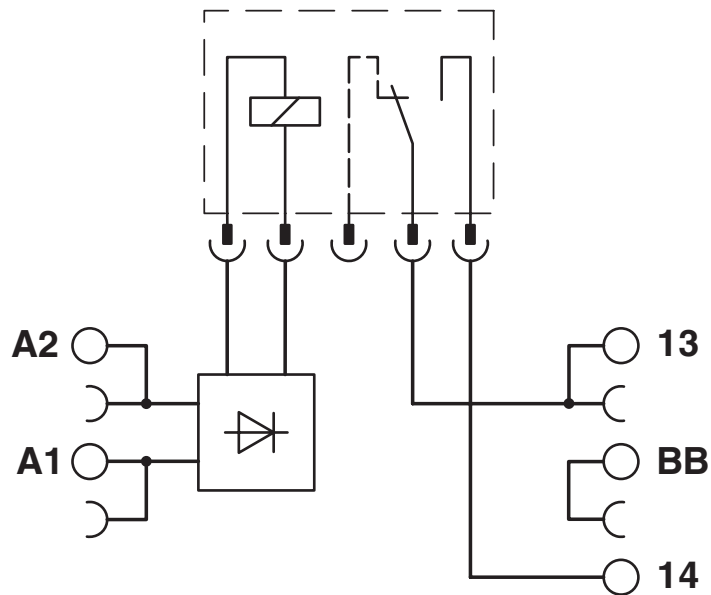
<https://www.phoenixcontact.com/nz/products/2982799>

Drawings

Circuit diagram



Circuit diagram



PLC-BSC- 24UC/ 1/ACT - Relay base



2982799

<https://www.phoenixcontact.com/nz/products/2982799>

Approvals

To download certificates, visit the product detail page: <https://www.phoenixcontact.com/nz/products/2982799>



cUL Recognized

Approval ID: FILE E 238705



UL Recognized

Approval ID: FILE E 238705



EAC

Approval ID: RU D-DE.B*00573/18



DNV GL

Approval ID: TAE0000196

cULus Recognized

PLC-BSC- 24UC/ 1/ACT - Relay base



2982799

<https://www.phoenixcontact.com/nz/products/2982799>

Classifications

ECLASS

ECLASS-11.0	27371603
ECLASS-12.0	27371603
ECLASS-13.0	27371603

ETIM

ETIM 9.0	EC001456
----------	----------

UNSPSC

UNSPSC 21.0	39122300
-------------	----------

PLC-BSC- 24UC/ 1/ACT - Relay base



2982799

<https://www.phoenixcontact.com/nz/products/2982799>

Environmental product compliance

REACH SVHC	Lead 7439-92-1
China RoHS	Environmentally Friendly Use Period = 50 years
	For information on hazardous substances, refer to the manufacturer's declaration available under "Downloads"

Phoenix Contact 2024 © - all rights reserved

<https://www.phoenixcontact.com>

PHOENIX CONTACT Ltd

Unit 15C, 906-930 Great South Road, Penrose

Auckland 1061

0508 474 636

sales@phoenixcontact.co.nz