

# PSR-SCP- 24DC/SIM4 - Safety relays



2981936

<https://www.phoenixcontact.com/pc/products/2981936>

Please be informed that the data shown in this PDF document is generated from our online catalog. Please find the complete data in the user documentation. Our general terms of use for downloads are valid.



Interface module for the connection of several safety sensors or switches with NC/NO contacts to the safety relay PSR-SDC4, with screw connection

## Your advantages

- 4 two-channel N/O or N/C contact inputs
- Up to Cat. 3/PL d in accordance with EN ISO 13849-1, SIL 2 in accordance with IEC 61508 (in conjunction with the PSR-SDC4 master)
- 4 PLC diagnostic outputs for evaluating the switching state of the safety sensors
- 4 LEDs as status indicators for the relevant sensor/switch
- PSR-TBUS connection

## Commercial data

Item number	2981936
Packing unit	1 pc
Minimum order quantity	1 pc
Product key	DNA221
Catalog page	Page 233 (C-6-2019)
GTIN	4046356326001
Weight per piece (including packing)	176 g
Weight per piece (excluding packing)	98 g
Customs tariff number	85364190
Country of origin	DE

## Technical data

### Product properties

Product type	Interface module
Product family	PSRclassic

### Electrical properties

Max. permissible current	100 mA (per signal output)
Max. permissible total current	100 mA (alarm outputs)
Nominal operating mode	100% operating factor

### Air clearances and creepage distances between the power circuits

Rated insulation voltage	50 V DC
Rated surge voltage	0.8 kV

### Input data

Nominal input voltage $U_N$	24 V DC (from PSR)
Input voltage range in reference to $U_N$	0.85 ... 1.1

### Connection data

#### Connection technology

pluggable	yes
-----------	-----

#### Conductor connection

Connection method	Screw connection
Conductor cross section rigid	0.2 mm <sup>2</sup> ... 2.5 mm <sup>2</sup>
Conductor cross section flexible	0.2 mm <sup>2</sup> ... 2.5 mm <sup>2</sup>
Conductor cross-section AWG	24 ... 12
Stripping length	7 mm
Screw thread	M3

### Signaling

Status display	Green LED
Status display present	Yes

### Dimensions

Width	22.5 mm
Height	99 mm
Depth	106 mm

### Material specifications

Housing material	Polyamide
------------------	-----------

### Environmental and real-life conditions

# PSR-SCP- 24DC/SIM4 - Safety relays



2981936

<https://www.phoenixcontact.com/pc/products/2981936>

## Ambient conditions

Degree of protection	IP20
Ambient temperature (operation)	-20 °C ... 55 °C
Ambient temperature (storage/transport)	-40 °C ... 70 °C
Maximum altitude	max. 2000 m (Above sea level)

## Standards and regulations

### Air clearances and creepage distances between the power circuits

Standards/regulations	DIN EN 50178
-----------------------	--------------

## Mounting

Assembly instructions	in rows with zero spacing
Mounting position	any
Connection method	Screw connection



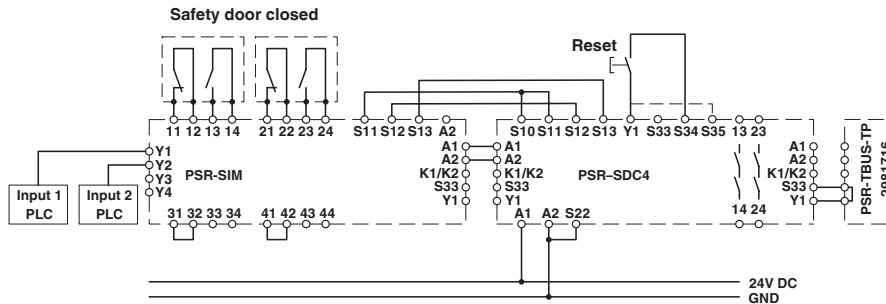
# PSR-SCP- 24DC/SIM4 - Safety relays



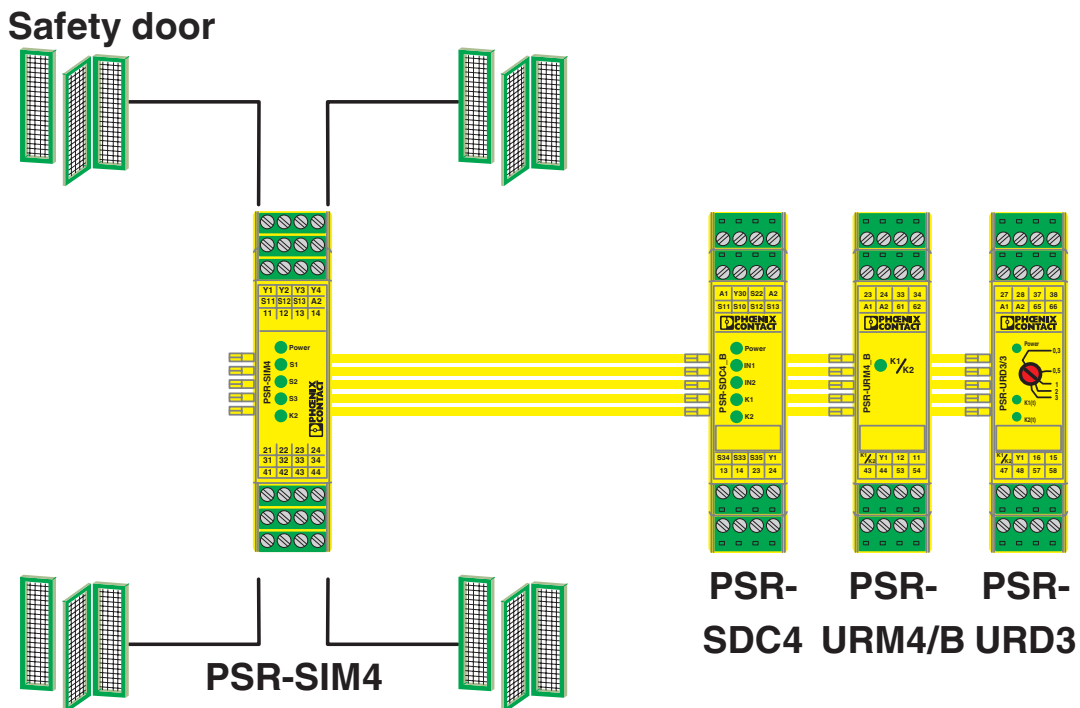
2981936

<https://www.phoenixcontact.com/pc/products/2981936>

Circuit diagram



Application drawing



Up to 4 safety door switches can be connected to one PSR-SIM4.

# PSR-SCP- 24DC/SIM4 - Safety relays



2981936

<https://www.phoenixcontact.com/pc/products/2981936>

## Approvals

To download certificates, visit the product detail page: <https://www.phoenixcontact.com/pc/products/2981936>



**EAC**

Approval ID: TR\_TS\_D\_00573\_c



**UL Listed**

Approval ID: FILE E 140324



**cUL Listed**

Approval ID: FILE E 140324

**cULus Listed**

# PSR-SCP- 24DC/SIM4 - Safety relays



2981936

<https://www.phoenixcontact.com/pc/products/2981936>

## Classifications

### ECLASS

ECLASS-11.0	27371819
ECLASS-12.0	27371819
ECLASS-13.0	27371819

### ETIM

ETIM 9.0	EC001449
----------	----------

### UNSPSC

UNSPSC 21.0	39122200
-------------	----------

# PSR-SCP- 24DC/SIM4 - Safety relays



2981936

<https://www.phoenixcontact.com/pc/products/2981936>

## Environmental product compliance

REACH SVHC	Lead 7439-92-1
China RoHS	Environmentally Friendly Use Period = 50 years
	For information on hazardous substances, refer to the manufacturer's declaration available under "Downloads"

Phoenix Contact 2024 © - all rights reserved

<https://www.phoenixcontact.com>

PHOENIX CONTACT GmbH & Co. KG

Flachsmarktstraße 8

D-32825 Blomberg

+49 (0) 5235-3 00

[info@phoenixcontact.com](mailto:info@phoenixcontact.com)