

# UMK- 8 RELS/KSR-G24/21-21/PLC - Active module



2976187

<https://www.phoenixcontact.com/sk/products/2976187>

Please be informed that the data shown in this PDF document is generated from our online catalog. Please find the complete data in the user documentation. Our general terms of use for downloads are valid.



VARIOFACE output module, with plug-in bases for 8 miniature relays, with 2 changeover contacts each (without relays), for 24 V DC

## Your advantages

- Supply voltage indicator (LED)
- Polarity protection diode
- LED status indicator and freewheeling diode per signal path
- Plug-in miniature relays

## Commercial data

Item number	2976187
Packing unit	1 pc
Minimum order quantity	1 pc
Note	Made to order (non-returnable)
Sales key	CK2
Product key	CK2171
Catalog page	Page 540 (C-5-2017)
GTIN	4017918089245
Weight per piece (including packing)	234.3 g
Weight per piece (excluding packing)	199.78 g
Customs tariff number	85364190
Country of origin	DE

2976187

<https://www.phoenixcontact.com/sk/products/2976187>

## Technical data

### Product properties

Product type	Interface module
No. of channels	8
Operating mode	100% operating factor
Mechanical service life	3x 10 <sup>7</sup> cycles
Compatible components	Miniature relay, REL-MR- 24DC/21-21
With components	no

### Insulation characteristics

Overvoltage category	III
Pollution degree	2

### Electrical properties

Rated insulation voltage	300 V AC
Rated surge voltage	4 kV (Basic insulation between output contact current paths)
	6 kV (Safe isolation and reinforced insulation between input circuit and output contact paths)

### Supported controller SIEMENS S7-1500

Suitable I/O card	6ES7522-1BH00-0AB0
	6ES7522-1BH01-0AB0
	6ES7522-1BL00-0AB0
	6ES7522-1BL01-0AB0

### Supported controller SIEMENS S7-300 / ET 200 M

Suitable I/O card	CPU 313C-2DP
	CPU 314C-2DP
	CPU 314C-2PtP
	6ES7322-1BH01-0AA0
	6ES7322-1BL00-0AA0
	6ES7323-1BH01-0AA0
	6ES7323-1BL00-0AA0
	CPU 313C CPU 313C-2PtP

### Supported controller SIEMENS S7-400

Suitable I/O card	6ES7422-1BL00-0AA0
	6ES7422-7BL00-0AB0

### Supported controller ALLEN-BRADLEY PLC 5

Suitable I/O card	1771 OBN
-------------------	----------

### Supported controller ALLEN-BRADLEY SLC 500

Suitable I/O card	1746 OB 32
-------------------	------------

# UMK- 8 RELS/KSR-G24/21-21/PLC - Active module



2976187

<https://www.phoenixcontact.com/sk/products/2976187>

## Supported controller ABB S800 I/O

Suitable I/O card	DO810
	DO840

## Supported controller GE-FANUC RX3i

Suitable I/O card	IC694MDL754
-------------------	-------------

## Supported controller HONEYWELL Experion PKS C200

Suitable I/O card	TC-ODD 321
-------------------	------------

## Supported controller MITSUBISHI MELSEC L

Suitable I/O card	LY41PT1P
	LY42PT1P

## Supported controller MITSUBISHI MELSEC Q

Suitable I/O card	QY81P
	QY82P

## Input data

Nominal input voltage $U_N$	24 V DC
Protective circuit	Freewheeling diode; Freewheeling diode
Operating voltage display	Green LED
Status display/channel	Yellow LED

## Output data

Compatible components	Miniature relay, REL-MR- 24DC/21-21
-----------------------	-------------------------------------

## Switching

Note	The interrupting ratings apply when using the REL-MR- 24DC/21-21 relay (2961192)
Contact switching type	2 changeover contacts
Maximum switching voltage	250 V AC/DC
Limiting continuous current	3 A
Min. switching current	10 mA
Interrupting rating (ohmic load) max.	72 W (at 24 V DC)
	96 W (at 48 V DC)
	60 W (at 60 V DC)
	44 W (at 110 V DC)
	57 W (at 220 V DC)
	750 VA (for 250 V AC)
Error detection (line break / short-circuit)	no

## Connection data

### Controller level

Connection method	IDC/FLK pin strip
Number of connections	1

# UMK- 8 RELS/KSR-G24/21-21/PLC - Active module



2976187

<https://www.phoenixcontact.com/sk/products/2976187>

Number of positions	14
Pitch	2.54 mm

## Field level

Connection method	Screw connection
Stripping length	6 mm
Screw thread	M3
Number of connections	48
Conductor cross section rigid	0.14 mm <sup>2</sup> ... 1.5 mm <sup>2</sup>
Conductor cross section flexible	0.14 mm <sup>2</sup> ... 1.5 mm <sup>2</sup>
Conductor cross section AWG	26 ... 14

## Supply

Connection method	Screw connection
Stripping length	6 mm
Screw thread	M3
Number of connections	2
Conductor cross section rigid	0.14 mm <sup>2</sup> ... 1.5 mm <sup>2</sup>
Conductor cross section flexible	0.14 mm <sup>2</sup> ... 1.5 mm <sup>2</sup>
Conductor cross section AWG	26 ... 14

## Signaling

Status display present	Yes
------------------------	-----

## Dimensions

Width	135 mm
Height	77 mm
Depth	54 mm

## Material specifications

Color	green (RAL 6021)
-------	------------------

## Environmental and real-life conditions

### Ambient conditions

Degree of protection	IP00
Ambient temperature (operation)	-20 °C ... 50 °C
Ambient temperature (storage/transport)	-20 °C ... 70 °C

## Standards and regulations

Standards/regulations	EN 61010-2-201
	IEC 60664

## Mounting

Mounting type	DIN rail mounting
Assembly instructions	in rows with zero spacing

# UMK- 8 RELS/KSR-G24/21-21/PLC - Active module



2976187

<https://www.phoenixcontact.com/sk/products/2976187>

Mounting position	any
-------------------	-----

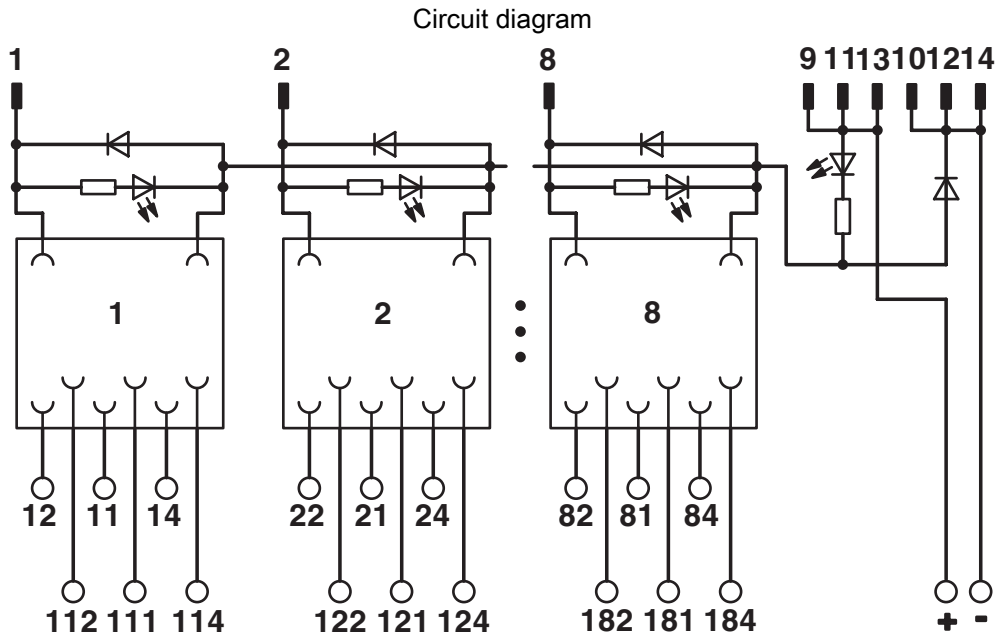
## Notes

General	Observe the maximum switching capacity of the relays used
General	Do not connect adjacent channels to SELV/ PELV and voltages dangerous to the touch.
General	The outputs are not suitable for switching different line conductors. The sum of the switching voltages used for adjacent outputs must not exceed the rated insulation voltage value
General	The necessary requirements for insulation (basic insulation or reinforced insulation) from adjacent modules (in DIN-rail direction) must be realized by applying suitable measures (e. g., partition plates).
General	For proper use, the specifications of the installation directive (see Downloads) must be observed. For applications or use with third-party products, the specifications, and the safety and warning instructions of the respective third-party manufacturer must also be met.

## Utilization restriction

EMC note	EMC: class A product, see manufacturer's declaration in the download area
----------	---

## Drawings



# UMK- 8 RELS/KSR-G24/21-21/PLC - Active module



2976187

<https://www.phoenixcontact.com/sk/products/2976187>

## Approvals

To download certificates, visit the product detail page: <https://www.phoenixcontact.com/sk/products/2976187>



**EAC**

Approval ID: RU\*DE\*08.B.01841/19

# UMK- 8 RELS/KSR-G24/21-21/PLC - Active module



2976187

<https://www.phoenixcontact.com/sk/products/2976187>

## Classifications

### ECLASS

ECLASS-11.0	27141152
ECLASS-12.0	27141152
ECLASS-13.0	27141152

### ETIM

ETIM 9.0	EC002780
----------	----------

### UNSPSC

UNSPSC 21.0	39121400
-------------	----------



# UMK- 8 RELS/KSR-G24/21-21/PLC - Active module



2976187

<https://www.phoenixcontact.com/sk/products/2976187>

## Environmental product compliance

REACH SVHC	Lead 7439-92-1
	Hexahydromethylphthalic anhydride
China RoHS	Environmentally Friendly Use Period = 50 years
	For information on hazardous substances, refer to the manufacturer's declaration available under "Downloads"

Phoenix Contact 2024 © - all rights reserved  
<https://www.phoenixcontact.com>

PHOENIX CONTACT s.r.o.  
Námestie Mateja Korvína 1  
811 07 Bratislava  
+421 2 3210 1470  
[obchod.sk@phoenixcontact.com](mailto:obchod.sk@phoenixcontact.com)