

# UM 45- 2FLK14/ZFKDS/S7 - Passive module



2965156

<https://www.phoenixcontact.com/ae/products/2965156>

Please be informed that the data shown in this PDF document is generated from our online catalog. Please find the complete data in the user documentation. Our general terms of use for downloads are valid.



VARIOFACE interface module for Siemens SIMATIC® S7-300, for max. 16 channels with SIMATIC®-specific labeling (1 - 20), with spring-cage connection, module width: 98 mm

## Your advantages

- Numerical labeling (1 - 20)
- Specifically for S7 300
- Connection via two 14-pos. system cables

## Commercial data

Item number	2965156
Packing unit	1 pc
Minimum order quantity	1 pc
Sales key	CK2
Product key	CK21AS
Catalog page	Page 253 (IF-2011)
GTIN	4017918126360
Weight per piece (including packing)	109.9 g
Weight per piece (excluding packing)	109.9 g
Customs tariff number	85369010
Country of origin	DE

# UM 45- 2FLK14/ZFKDS/S7 - Passive module



2965156

<https://www.phoenixcontact.com/ae/products/2965156>

## Technical data

### Product properties

Product type	Interface module
Product family	VARIOFACE
Number of positions	14
No. of channels	2
	4
	6
	8
	16

### Insulation characteristics

Insulation	Functional insulation
------------	-----------------------

### Insulation characteristics: Air clearances and creepage distances

Insulation	Functional insulation
Overvoltage category	II
Pollution degree	2

### Electrical properties

Operating voltage (DC)	≤ 60 V DC
Current (per branch)	≤ 1 A
Current (Voltage supply per byte)	≤ 3 A

### Air clearances and creepage distances

Rated insulation voltage	63 V
Rated surge voltage	0.6 kV (1.2/50 μs)

### Supported controller GE-FANUC 90-30

Suitable I/O card	IC693 MDL732
	IC693 MDL733
	IC693 MDL740
	IC693 MDL741
	IC693 MDL742
	IC693 ALG220
	IC693 ALG221
	IC693 ALG222
	IC693 ALG223
	IC693 ALG390
	IC693 ALG391
	IC693 ALG392
	IC693 ALG442

### Supported controller SIEMENS S7-300 / ET 200 M

# UM 45- 2FLK14/ZFKDS/S7 - Passive module



2965156

<https://www.phoenixcontact.com/ae/products/2965156>

Suitable I/O card	CPU 312C
	CPU 313C-2DP
	CPU 314C-2PiP
	6ES7321-1BH50-0AA0
	6ES7321-7BH01-0AB0
	6ES7321-1BH02-0AA0
	6ES7321-1BL00-0AA0
	6ES7322-1BH01-0AA0
	6ES7322-8BF00-0AB0
	6ES7322-1BL00-0AA0
	6ES7323-1BH01-0AA0
	6ES7323-1BL00-0AA0
	6ES7331-7KF02-0AB0
	6ES7331-7KB02-0AB0
	6ES7331-7NF00-0AB0
	6ES7331-7PF01-0AB0
	6ES7331-7PF11-0AB0
	6ES7332-5HD01-0AB0
	6ES7332-5HB01-0AB0
	6ES7332-7ND02-0AB0
	6ES7334-0CE01-0AA0
	6ES7334-0KE00-0AB0
	6ES7335-7HG01-0AB0
	6ES7335-7HG01-0AB0
	6ES7338-4BC01-0AB0
	6ES7350-1AH03-0AE0
	6ES7350-2AH01-0AE0
	6ES7351-1AH01-0AE0
	6ES7352-1AH02-0AE0
	6ES7353-1AH01-0AE0
	6ES7354-1AH01-0AE0
	6ES7355-0VH10-0AE0
	6ES7355-1VH10-0AE0
	6ES7357-4AH01-0AE0
	6ES7321-7BH01-0AB0
	6ES7331-7HF01-0AB0
	6ES7321-1BH10-0AA0
	6ES7322-1BH10-0AA0
	CPU 313C
	CPU 313C-2PiP
6ES7336-4GE00-0AB0	

Connection data

# UM 45- 2FLK14/ZFKDS/S7 - Passive module



2965156

<https://www.phoenixcontact.com/ae/products/2965156>

## Connection 1 (control level)

Connection in acc. with standard	IEC 60603-13
Connection method	IDC/FLK pin strip
Number of connections	2
Number of positions	14
Insertion/withdrawal cycles	> 50
Pitch	2.54 mm

## Connection 2 (field level)

Connection method	Spring-cage connection
Stripping length	7.5 mm
Number of positions	20
Conductor cross section rigid	0.2 mm <sup>2</sup> ... 2.5 mm <sup>2</sup>
Conductor cross section flexible	0.2 mm <sup>2</sup> ... 1.5 mm <sup>2</sup>
	0.25 mm <sup>2</sup> ... 1.5 mm <sup>2</sup> (Ferrule without plastic sleeve)
	0.25 mm <sup>2</sup> ... 1.5 mm <sup>2</sup> (Ferrule with plastic sleeve)
Conductor cross section AWG	24 ... 14
Pitch	5.08 mm

## Signaling

Status display present	No
------------------------	----

## Dimensions

### Item dimensions

Width	98 mm
Height	45 mm
Depth	50 mm

## Material specifications

Color	green (RAL 6021)
Housing insulation material	PVC

## Environmental and real-life conditions

### Ambient conditions

Degree of protection (Module)	IP00
Degree of protection (Installation location)	≥ IP54
Ambient temperature (operation)	-20 °C ... 50 °C
Ambient temperature (storage/transport)	-20 °C ... 70 °C
Altitude	≤ 2000 m

## Approvals

### UKCA

Certificate	UKCA-compliant
-------------	----------------

# UM 45- 2FLK14/ZFKDS/S7 - Passive module



2965156

<https://www.phoenixcontact.com/ae/products/2965156>

## Standards and regulations

### Air clearances and creepage distances

Standards/regulations	EN IEC 60664-1
-----------------------	----------------

## Mounting

Mounting type	DIN rail mounting
Mounting position	any

## Notes

Notes on operation	For proper use, the specifications of the installation directive (see Downloads) must be observed. For applications or use with third-party products, the specifications, and the safety and warning instructions of the respective third-party manufacturer must also be met.
--------------------	--

# UM 45- 2FLK14/ZFKDS/S7 - Passive module

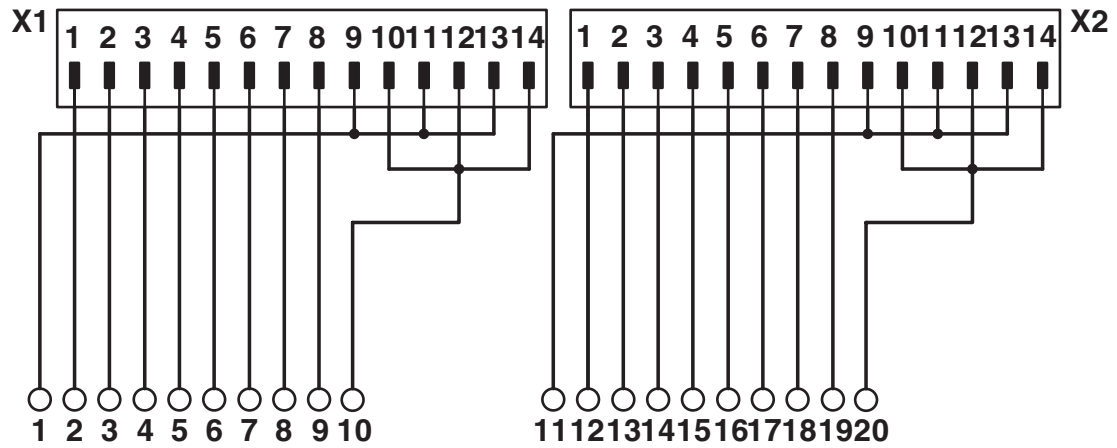


2965156

<https://www.phoenixcontact.com/ae/products/2965156>

## Drawings

Circuit diagram



# UM 45- 2FLK14/ZFKDS/S7 - Passive module



2965156

<https://www.phoenixcontact.com/ae/products/2965156>

## Classifications

### ECLASS

ECLASS-11.0	27141152
ECLASS-12.0	27141152
ECLASS-13.0	27141152

### ETIM

ETIM 8.0	EC002780
----------	----------

### UNSPSC

UNSPSC 21.0	39121400
-------------	----------

# UM 45- 2FLK14/ZFKDS/S7 - Passive module



2965156

<https://www.phoenixcontact.com/ae/products/2965156>

## Environmental product compliance

### EU RoHS

Fulfills EU RoHS substance requirements	Yes, No exemptions
---	--------------------

### China RoHS

Environment friendly use period (EFUP)	EFUP-E
	No hazardous substances above the limits

### EU REACH SVHC

REACH candidate substance (CAS No.)	No substance above 0.1 wt%
-------------------------------------	----------------------------

Phoenix Contact 2024 © - all rights reserved  
<https://www.phoenixcontact.com>

PHOENIX CONTACT Middle East FZ LLC  
1201N-1206N, Dubai Science Park Towers – North  
P.O. Box 345002, Dubai, United Arab Emirates  
(+971) 4 437-0324  
[info-me@phoenixcontact.com](mailto:info-me@phoenixcontact.com)