

# UEG-EU-SE - Lateral element

2956822

<https://www.phoenixcontact.com/pc/products/2956822>

Please be informed that the data shown in this PDF document is generated from our online catalog. Please find the complete data in the user documentation. Our general terms of use for downloads are valid.

Side element, two pieces necessary, for closing the base element, 1.5 mm thick.



## Commercial data

Item number	2956822
Packing unit	5 pc
Minimum order quantity	5 pc
Product key	ACHCCF
Catalog page	Page 739 (C-1-2013)
GTIN	4017918085964
Weight per piece (including packing)	38 g
Weight per piece (excluding packing)	38 g
Customs tariff number	85369010
Country of origin	DE

# UEG-EU-SE - Lateral element

2956822

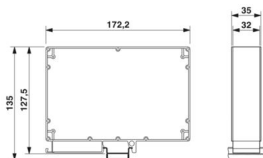
<https://www.phoenixcontact.com/pc/products/2956822>

## Technical data

### Product properties

Product type	Panel mounting base side part
Product family	UEG-EU
Housing series	UEG
Type	Side part
Housing type	Component housing

### Dimensions

Dimensional drawing	
Width	1.5 mm
Installed height	127.5 mm
Depth	172 mm

### Material specifications

Color	green
Flammability rating according to UL 94	HB

# UEG-EU-SE - Lateral element

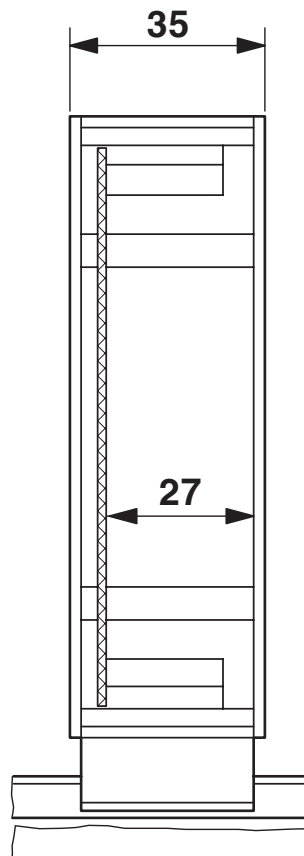
2956822

<https://www.phoenixcontact.com/pc/products/2956822>



## Drawings

Dimensional drawing



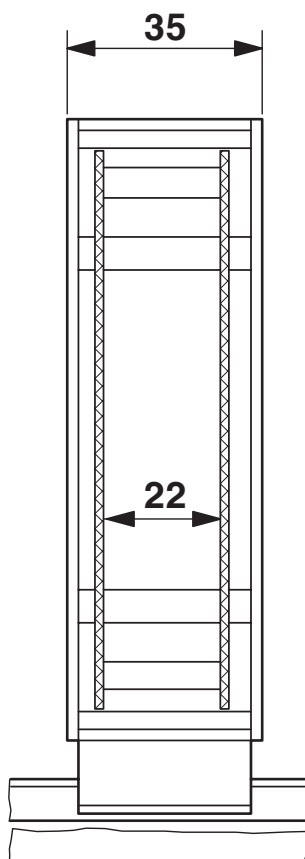
# UEG-EU-SE - Lateral element

2956822

<https://www.phoenixcontact.com/pc/products/2956822>



Dimensional drawing



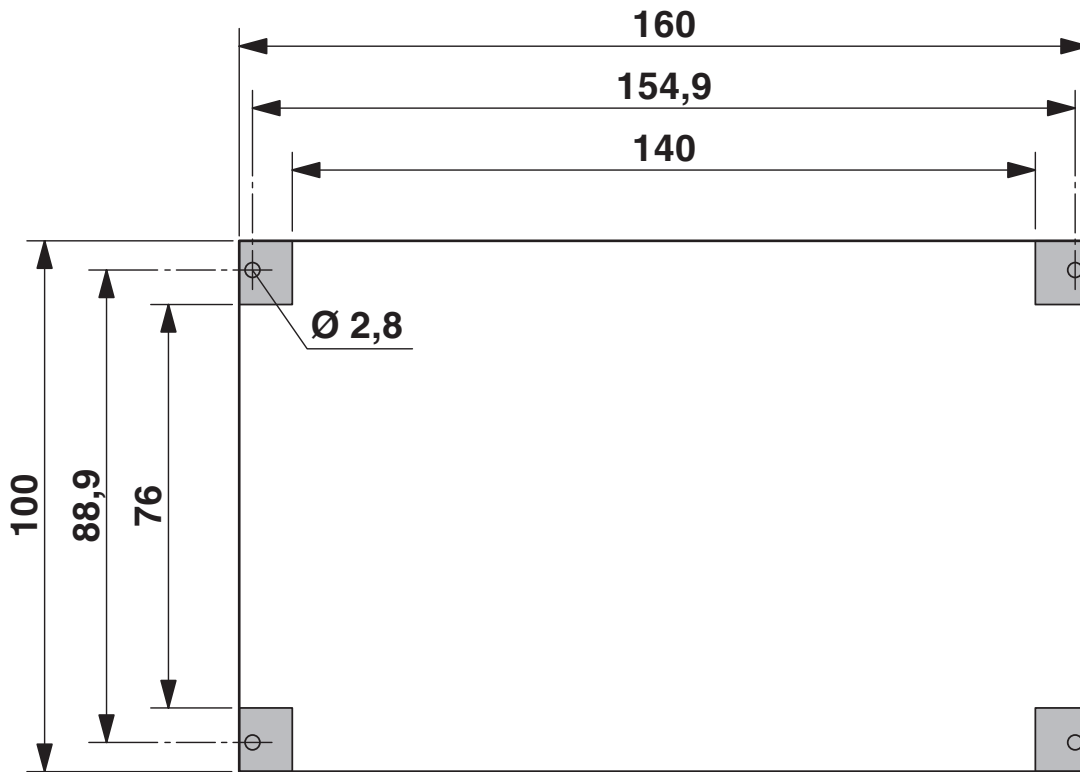
# UEG-EU-SE - Lateral element



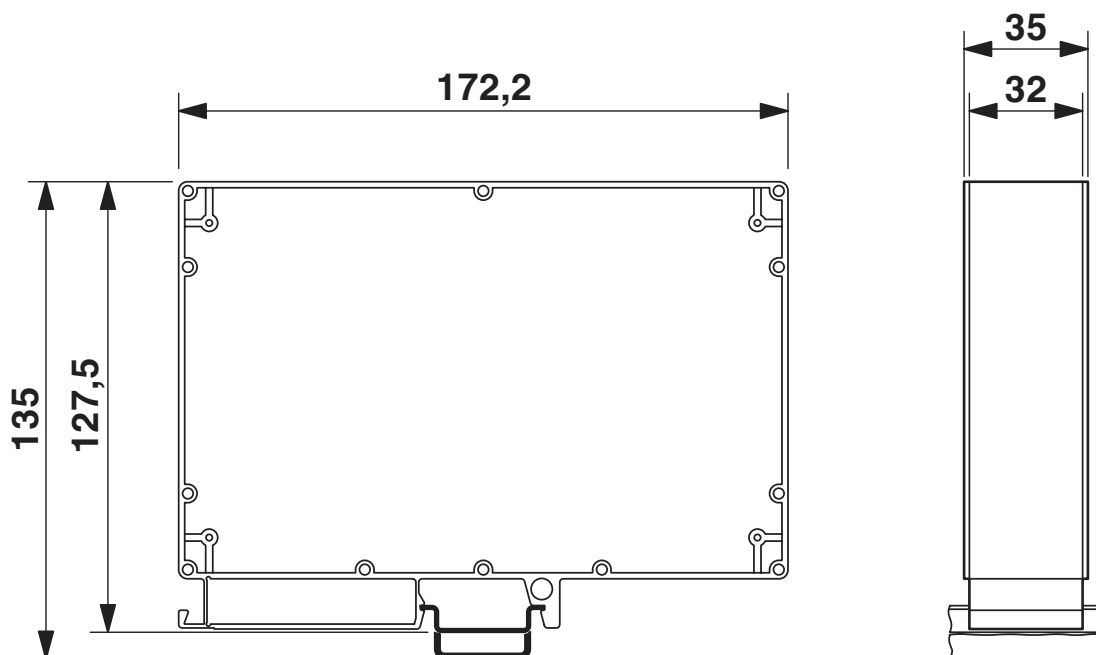
2956822

<https://www.phoenixcontact.com/pc/products/2956822>

Dimensional drawing



Dimensional drawing



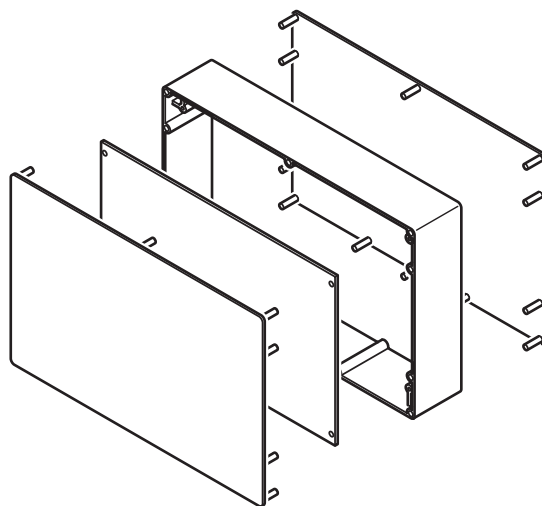
# UEG-EU-SE - Lateral element

2956822

<https://www.phoenixcontact.com/pc/products/2956822>



Exploded view



# UEG-EU-SE - Lateral element

2956822

<https://www.phoenixcontact.com/pc/products/2956822>



## Approvals

To download certificates, visit the product detail page: <https://www.phoenixcontact.com/pc/products/2956822>



**UL Recognized**

Approval ID: FILE E 240868

# UEG-EU-SE - Lateral element



2956822

<https://www.phoenixcontact.com/pc/products/2956822>

## Classifications

### ECLASS

ECLASS-11.0	27182702
ECLASS-13.0	27190602

### ETIM

ETIM 8.0	EC001031
----------	----------

### UNSPSC

UNSPSC 21.0	31261500
-------------	----------



# UEG-EU-SE - Lateral element

2956822

<https://www.phoenixcontact.com/pc/products/2956822>



## Environmental product compliance

China RoHS	Environmentally friendly use period: unlimited = EFUP-e
	No hazardous substances above threshold values

Phoenix Contact 2024 © - all rights reserved  
<https://www.phoenixcontact.com>

PHOENIX CONTACT GmbH & Co. KG  
Flachmarktstraße 8  
D-32825 Blomberg  
+49 (0) 5235-3 00  
[info@phoenixcontact.com](mailto:info@phoenixcontact.com)