

EMG 17-OV- 12DC/240AC/3 - Solid-state relay module



2954222

<https://www.phoenixcontact.com/nz/products/2954222>

Please be informed that the data shown in this PDF document is generated from our online catalog. Please find the complete data in the user documentation. Our general terms of use for downloads are valid.



Power solid-state relay, with LED and protective circuit in input and output circuits, input: 12 V DC, output: 48 - 280 V AC/max. 3 A

Commercial data

Item number	2954222
Packing unit	10 pc
Minimum order quantity	10 pc
Sales key	CK61C3
Product key	CK61C3
Catalog page	Page 141 (IF-2011)
GTIN	4017918084882
Weight per piece (including packing)	89.43 g
Weight per piece (excluding packing)	89.43 g
Country of origin	DE

Technical data

Notes

Utilization restriction

EMC note	EMC: class A product, see manufacturer's declaration in the download area
----------	---

Product properties

Product type	Solid-state relay module
Application	Output function
Operating mode	100% operating factor

Insulation characteristics

Insulation	Basic insulation
------------	------------------

Insulation characteristics

Insulation	Basic insulation
Overvoltage category	III
Pollution degree	2

Electrical properties

Test voltage (Input/output)	3.5 kV AC (Input/output)
-----------------------------	--------------------------

Input data

Nominal input voltage U_N	12 V DC
Input voltage range in reference to U_N	0.8 ... 1.2
Input voltage range	9.6 V DC ... 14.4 V DC
Switching threshold "0" signal in reference to U_N	≤ 0.4
Switching threshold "1" signal in reference to U_N	≥ 0.8
Typical input current at U_N	4.1 mA
Typical response time	10 ms
Typical turn-off time	10 ms
Operating voltage display	Yellow LED
Protective circuit	Reverse polarity protection; Polarity protection diode Surge protection; Varistor
Transmission frequency	25 Hz

Output data

Contact switching type	1 N/O contact
Design of digital output	electronic
Output nominal voltage	240 V AC
Output voltage range	48 V AC ... 280 V AC (50 Hz ... 60 Hz)
Limiting continuous current	3 A (see derating curve)
Min. load current	50 mA

EMG 17-OV- 12DC/240AC/3 - Solid-state relay module



2954222

<https://www.phoenixcontact.com/nz/products/2954222>

Leakage current	4 mA (in off state)
Surge current	160 A (t = 10 ms)
Phase angle cos phi min	0.5
Max. load value	128 A ² s (I ² x t where t = 10 ms)
Peak offstate voltage	600 V (Periodic peak reverse voltage)
Voltage drop at max. limiting continuous current	≤ 1 V
Output circuit	2-conductor, floating
Protective circuit	RC element; RC element Surge protection; Varistor

Connection data

Input side

Connection method	Screw connection
Stripping length	8 mm
Screw thread	M3
Conductor cross section rigid	0.2 mm ² ... 4 mm ²
Conductor cross section flexible	0.2 mm ² ... 2.5 mm ²
Conductor cross section AWG	24 ... 12

Output side

Connection method	Screw connection
Stripping length	8 mm
Screw thread	M3
Conductor cross section rigid	0.2 mm ² ... 4 mm ²
Conductor cross section flexible	0.2 mm ² ... 2.5 mm ²
Conductor cross section AWG	24 ... 12

Dimensions

Width	17.5 mm
Height	75 mm
Depth	102 mm

Material specifications

Color	green (RAL 6021)
Flammability rating according to UL 94	V0

Environmental and real-life conditions

Ambient conditions

Degree of protection	IP20
Ambient temperature (operation)	-20 °C ... 60 °C
Ambient temperature (storage/transport)	-20 °C ... 70 °C

Standards and regulations

Standards/regulations	IEC 60664
-----------------------	-----------

EMG 17-OV- 12DC/240AC/3 - Solid-state relay module



2954222

<https://www.phoenixcontact.com/nz/products/2954222>

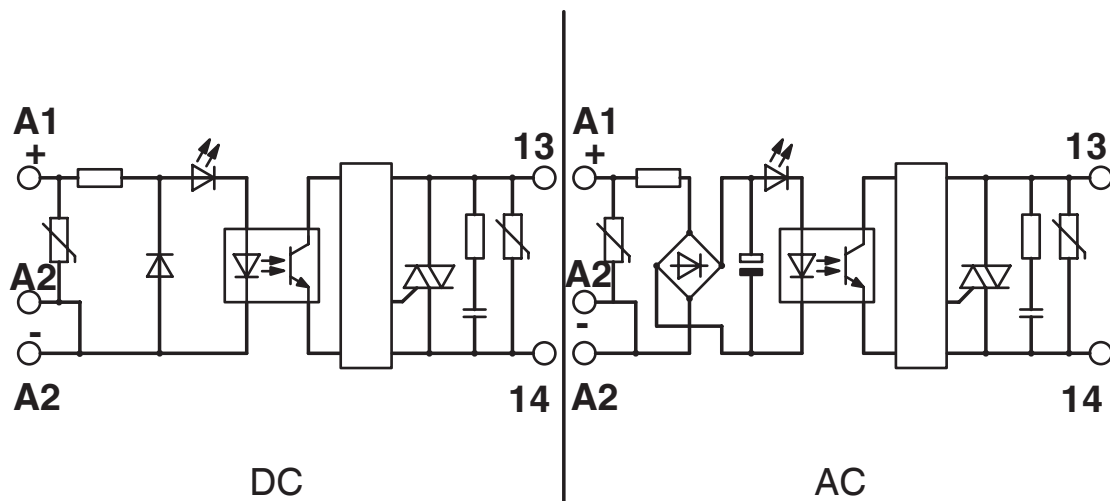
	EN 50178
--	----------

Mounting

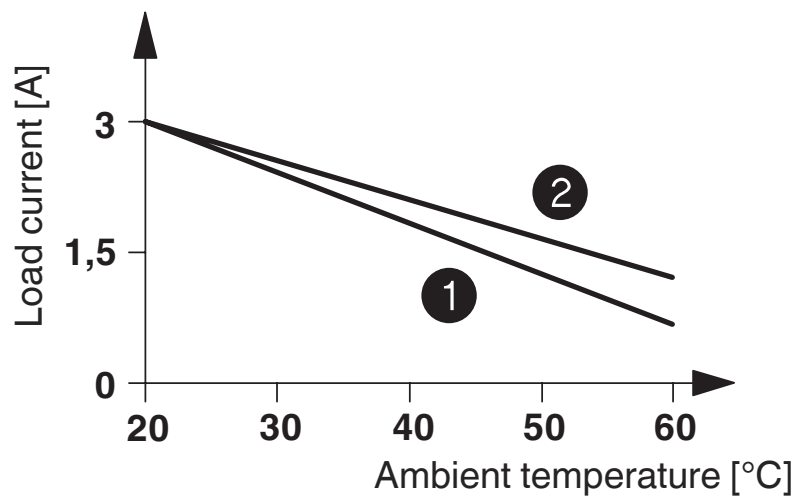
Mounting type	DIN rail mounting
Assembly instructions	in rows with zero spacing
Mounting position	horizontal

Drawings

Circuit diagram

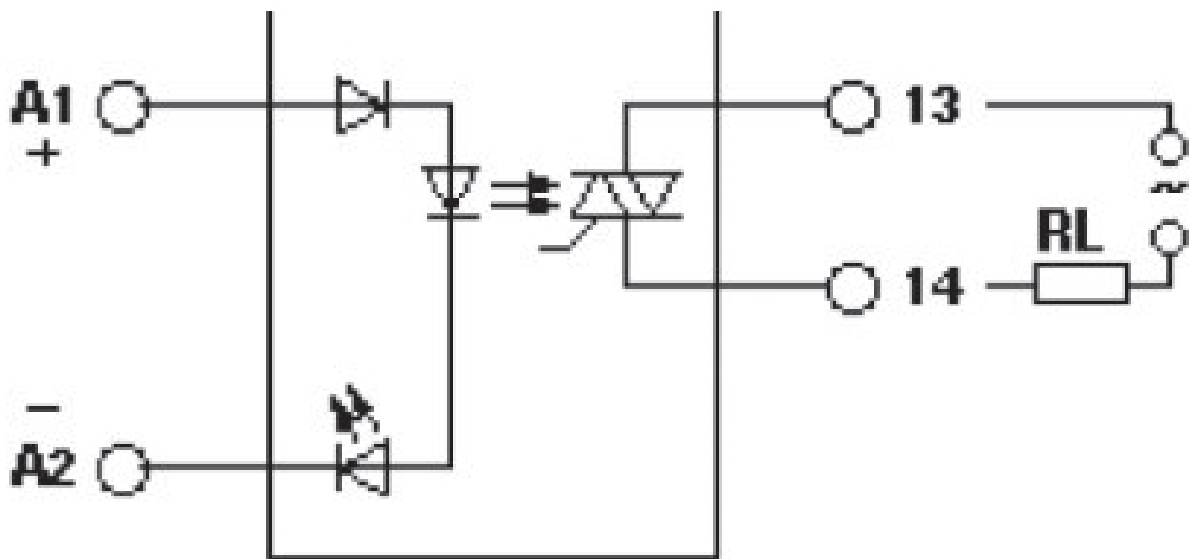


Diagram



- ① In rows with zero spacing
- ② stand-alone device

Circuit diagram



EMG 17-OV- 12DC/240AC/3 - Solid-state relay module



2954222

<https://www.phoenixcontact.com/nz/products/2954222>

Approvals

🔗 To download certificates, visit the product detail page: <https://www.phoenixcontact.com/nz/products/2954222>



EAC

Approval ID: TR_TS_D_00573_c



EAC

Approval ID: RU*C-DE.*08.B.00010

EMG 17-OV- 12DC/240AC/3 - Solid-state relay module



2954222

<https://www.phoenixcontact.com/nz/products/2954222>

Classifications

ECLASS

ECLASS-11.0	27371604
ECLASS-12.0	27371604
ECLASS-13.0	27371604

ETIM

ETIM 9.0	EC001504
----------	----------

UNSPSC

UNSPSC 21.0	39122300
-------------	----------

EMG 17-OV- 12DC/240AC/3 - Solid-state relay module



2954222

<https://www.phoenixcontact.com/nz/products/2954222>

Environmental product compliance

REACH SVHC	Lead 7439-92-1
China RoHS	Environmentally Friendly Use Period = 50 years
	For information on hazardous substances, refer to the manufacturer's declaration available under "Downloads"

Phoenix Contact 2024 © - all rights reserved

<https://www.phoenixcontact.com>

PHOENIX CONTACT Ltd

Unit 15C, 906-930 Great South Road, Penrose

Auckland 1061

0508 474 636

sales@phoenixcontact.co.nz