

MACX MCR-SL-I-I-HV-ILP-SP - Loop-powered isolators



2907705

<https://www.phoenixcontact.com/it/products/2907705>

Please be informed that the data shown in this PDF document is generated from our online catalog. Please find the complete data in the user documentation. Our general terms of use for downloads are valid.



1-channel input loop-powered 2-way isolator with increased isolating voltage and plug-in connection technology for the electrical isolation of analog signals. Input signal = output signal: 0(4) mA ... 20 mA. Push-in connection technology.

Product description

Single-channel input-loop-powered 2-way isolator with increased cut-off voltage and plug-in connection technology for the electrical isolation and filtering of analog signals. The input-loop-powered isolator allows operation with active sensor technology with a supply voltage of 6 V DC to 30 V DC. The device is powered via the current loop of the sensor. Input signal = output signal: 0(4) mA to 20 mA. With Push-in connection.

Commercial data

Item number	2907705
Packing unit	1 pc
Minimum order quantity	1 pc
Sales key	CK1
Product key	CK1113
Catalog page	Page 125 (C-5-2019)
GTIN	4055626219257
Weight per piece (including packing)	133.2 g
Weight per piece (excluding packing)	128.4 g
Customs tariff number	85437090
Country of origin	DE

MACX MCR-SL-I-I-HV-ILP-SP - Loop-powered isolators



2907705

<https://www.phoenixcontact.com/it/products/2907705>

Technical data

Product properties

Product type	Signal conditioner
Product family	MACX Analog
No. of channels	1
Type	Signal conditioners with SIL functional safety

Insulation characteristics

Overvoltage category	II
Pollution degree	2

Electrical properties

Electrical isolation	2-way isolation
Signal transmission behavior	In = Out
Maximum temperature coefficient	≤ 0.002 %/K (of measured value / 100 Ω load)
Transmission error, typical	0.08 % (of final value)

Electrical isolation Input/output/power supply

Rated insulation voltage	600 V _{rms}
Test voltage	5 kV AC (50 Hz, 60 s)
Insulation	Safe isolation in accordance with IEC/EN 61010-1

Supply

Supply voltage range	loop-powered, no external supply necessary
----------------------	--

Input data

Signal: Current

Number of inputs	1
Configurable/programmable	no
Max. voltage input signal	< 30.5 V
Current input signal	0 mA ... 20 mA 4 mA ... 20 mA
Input voltage limitation	30.5 V
Voltage dissipation	2.9 V (I = 20 mA)
Step response (10-90%)	5 ms (500 Ω load)
Additional error, load-dependent	0.022 % (of measured value / 100 Ω load)
Response current	approx. 50 μA

Output data

Signal: Current

Number of outputs	1
Configurable/programmable	no
Max. voltage output signal	27.5 V

MACX MCR-SL-I-I-HV-ILP-SP - Loop-powered isolators

2907705

<https://www.phoenixcontact.com/it/products/2907705>

Current output signal	0 mA ... 20 mA
	4 mA ... 20 mA
Load/output load current output	$\leq 1375 \Omega$ ($I = 20 \text{ mA}$)
Residual ripple	$< 10 \text{ mV}_{\text{rms}}$ (500 Ω load)

Connection data

Connection method	Push-in connection
Stripping length	8 mm
Conductor cross section rigid	0.2 mm ² ... 1.5 mm ²
Conductor cross section flexible	0.2 mm ² ... 1.5 mm ²
Conductor cross section AWG	24 ... 16

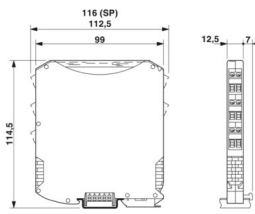
Test socket

Max. diameter	2.3 mm
---------------	--------

Ex data

Ex installation (EPL)	Gc
	Div. 2

Dimensions

Dimensional drawing	
Width	12.5 mm
Height	116 mm
Depth	113.7 mm
Depth NS 35/7,5	114.5 mm (Snapped onto DIN rail NS 35/7,5 in accordance with EN 60715)

Material specifications

Color	gray (RAL 7042)
Flammability rating according to UL 94	V0 (Housing)
Housing material	PA 6.6-FR

Environmental and real-life conditions

Ambient conditions

Degree of protection	IP20 (not assessed by UL)
Ambient temperature (operation)	-40 °C ... 85 °C
Ambient temperature (storage/transport)	-40 °C ... 85 °C
Altitude	$< 2000 \text{ m}$
Permissible humidity (operation)	5 % ... 95 % (non-condensing)

MACX MCR-SL-I-I-HV-ILP-SP - Loop-powered isolators



2907705

<https://www.phoenixcontact.com/it/products/2907705>

Approvals

CE

Certificate	CE-compliant
Note	and EN 61326-1

ATEX

Identification	⊕ II 3 G Ex nA IIC T4 Gc X
----------------	----------------------------

UKCA Ex (UKEX)

Identification	⊕ II 3 G Ex nA IIC T4 Gc X
Certificate	PxCIF21UKEX2905278X

UL, USA/Canada

Identification	UL 61010 Listed
	Class I, Div. 2, Groups A, B, C, D T4
	Class I, Zone 2, Group IIC T4

Safety Integrity Level (SIL, IEC 61508)

Identification	3
Certificate	968/FSP 1200.01/21

EMC data

Noise immunity	EN 61326-1
Electromagnetic compatibility	Conformance with EMC directive
Noise emission	EN 61000-6-4

Standards and regulations

Electrical isolation	2-way isolation
----------------------	-----------------

Mounting

Mounting type	DIN rail mounting
---------------	-------------------

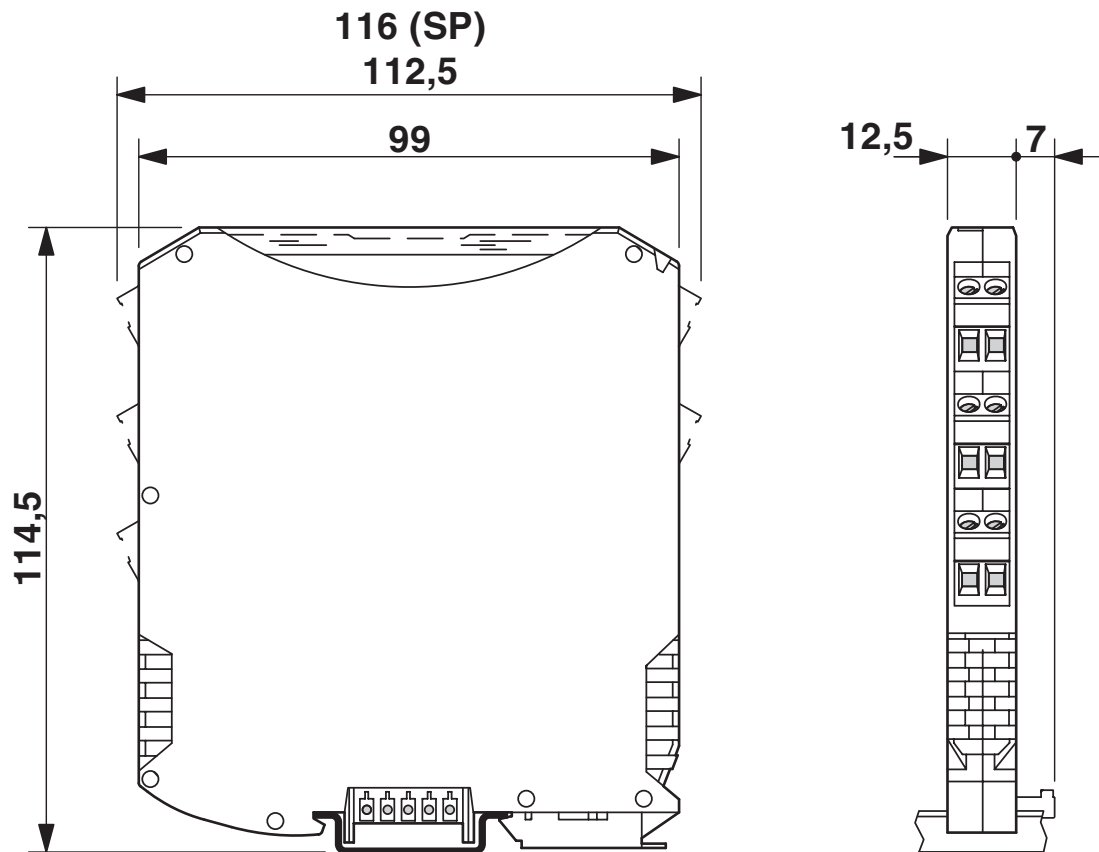
MACX MCR-SL-I-I-HV-ILP-SP - Loop-powered isolators

2907705

<https://www.phoenixcontact.com/it/products/2907705>

Drawings

Dimensional drawing



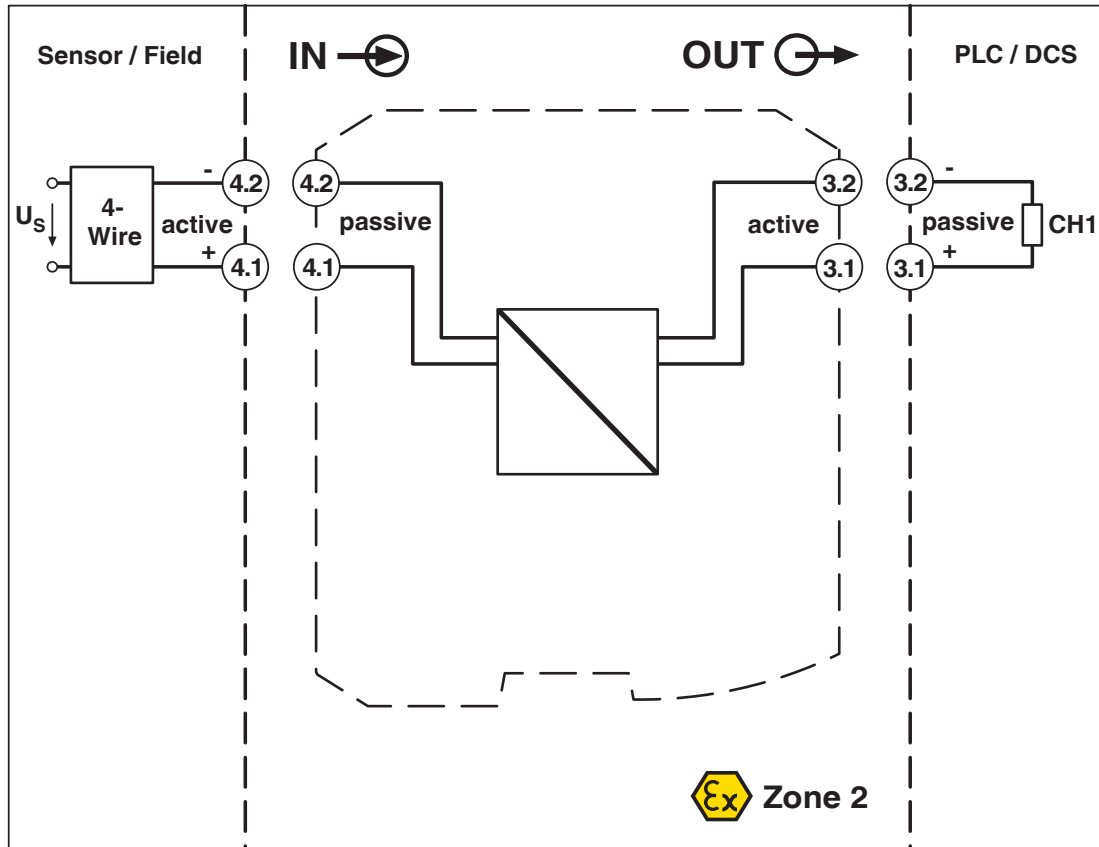
MACX MCR-SL-I-I-HV-ILP-SP - Loop-powered isolators



2907705

<https://www.phoenixcontact.com/it/products/2907705>

Block diagram



MACX MCR-SL-I-I-HV-ILP-SP - Loop-powered isolators



2907705

<https://www.phoenixcontact.com/it/products/2907705>

Approvals

To download certificates, visit the product detail page: <https://www.phoenixcontact.com/it/products/2907705>



EAC

Approval ID: RU*DE.*08.B.01608/19



UL Listed

Approval ID: FILE E 330267



cUL Listed

Approval ID: FILE E 330267



cUL Recognized

Approval ID: FILE E 199827



UL Recognized

Approval ID: FILE E 199827

cULus Listed

cULus Recognized

MACX MCR-SL-I-I-HV-ILP-SP - Loop-powered isolators



2907705

<https://www.phoenixcontact.com/it/products/2907705>

Classifications

ECLASS

ECLASS-11.0	27210120
ECLASS-12.0	27210120
ECLASS-13.0	27210120

ETIM

ETIM 9.0	EC002653
----------	----------

UNSPSC

UNSPSC 21.0	39121000
-------------	----------

MACX MCR-SL-I-I-HV-ILP-SP - Loop-powered isolators



2907705

<https://www.phoenixcontact.com/lt/products/2907705>

Environmental product compliance

China RoHS	Environmentally Friendly Use Period = 50 years For information on hazardous substances, refer to the manufacturer's declaration available under "Downloads"
------------	--

Phoenix Contact 2024 © - all rights reserved
<https://www.phoenixcontact.com>

Phoenix Contact UAB
Svitrigailos str. 11B
03228 Vilnius
+370 5 2106321
balticinfo@phoenixcontact.com