

# PT 2-TELE - Surge protection device



2882828

<https://www.phoenixcontact.com/us/products/2882828>

Please be informed that the data shown in this PDF document is generated from our online catalog. Please find the complete data in the user documentation. Our general terms of use for downloads are valid.



Surge protective device, consisting of plug and base element, for protecting a double wire from analog and digital telecommunications interfaces (VDSL up to 50 Mbps, on short paths (< 300 m) up to 100 Mbps).

## Product description

Surge protection plug for DIN rail mounting, 2-section pluggable, normal mode voltage coarse and fine protection for 2-conductor analog telecommunication interface as well as common mode voltage coarse protection to ground.

## Your advantages

- Easy testing and documentation with CHECKMASTER 2 with pluggable protective modules
- Maximum ease of maintenance, thanks to the 2-piece design
- Easy selection for all possible demands in MCR applications with a complete product portfolio

## Commercial data

Item number	2882828
Packing unit	10 pc
Minimum order quantity	10 pc
Sales key	CL03
Product key	CL3121
Catalog page	Page 188 (C-4-2019)
GTIN	4046356115148
Weight per piece (including packing)	74 g
Weight per piece (excluding packing)	60.035 g
Customs tariff number	85363010
Country of origin	DE

# PT 2-TELE - Surge protection device

2882828

<https://www.phoenixcontact.com/us/products/2882828>

## Technical data

### Product properties

IEC test classification	B2
	C1
	C2
	C3
	D1
Type	DIN rail module, two-section, divisible
Product type	Surge protection for information technology
Product family	PLUGTRAB PT
Number of positions	2
Surge protection fault message	none
Wire pairs per module	1

### Insulation characteristics

Overvoltage category	III
Pollution degree	2

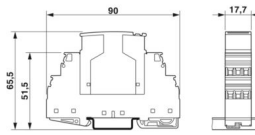
### Electrical properties

Nominal voltage $U_N$	185 V DC
	130 V AC

### Connection data

Connection method	Screw connection
Screw thread	M3
Tightening torque	0.5 Nm
Conductor cross section flexible	0.2 mm <sup>2</sup> ... 2.5 mm <sup>2</sup>
Conductor cross section rigid	0.2 mm <sup>2</sup> ... 4 mm <sup>2</sup>
Conductor cross section AWG	24 ... 12

### Dimensions

Dimensional drawing	
Width	17.7 mm
Height	90 mm
Depth	65.5 mm
Horizontal pitch	1 Div.

### Material specifications

Color	black (RAL 9005)
-------	------------------

# PT 2-TELE - Surge protection device



2882828

<https://www.phoenixcontact.com/us/products/2882828>

	black (RAL 9005)
Flammability rating according to UL 94	V-0
Housing material	PA 6.6

## Mechanical properties

### Mechanical data

Open side panel	No
-----------------	----

## Protective circuit

Direction of action	Line-Line & Line-Earth Ground
Maximum continuous voltage $U_C$	185 V DC
	130 V AC
Rated current	450 mA AC (45 °C)
	130 mA DC (45 °C)
Operating effective current $I_C$ at $U_C$	$\leq 10 \mu\text{A}$
Residual current $I_{PE}$	$\leq 10 \mu\text{A}$
Nominal discharge current $I_n$ (8/20) $\mu\text{s}$ (line-line)	10 kA
Nominal discharge current $I_n$ (8/20) $\mu\text{s}$ (line-ground)	10 kA
Pulse discharge current $I_{imp}$ (10/350) $\mu\text{s}$ (line-line)	1 kA
Pulse discharge current $I_{imp}$ (10/350) $\mu\text{s}$ (line-earth)	1 kA
Total discharge current $I_{total}$ (8/20) $\mu\text{s}$	18 kA
Max. discharge current $I_{max}$ (8/20) $\mu\text{s}$ maximum (line-earth)	18 kA
Nominal pulse current $I_{an}$ (10/700) $\mu\text{s}$ (line-line)	100 A
Nominal pulse current $I_{an}$ (10/700) $\mu\text{s}$ (line-earth)	100 A
Output voltage limitation at 1 kV/ $\mu\text{s}$ (line-line) spike	$\leq 300 \text{ V}$
Output voltage limitation at 1 kV/ $\mu\text{s}$ (line-earth) spike	$\leq 300 \text{ V}$
Output voltage limitation at 1 kV/ $\mu\text{s}$ (line-line) static	$\leq 300 \text{ V}$
Output voltage limitation at 1 kV/ $\mu\text{s}$ (line-earth) static	$\leq 300 \text{ V}$
Residual voltage at $I_n$ (conductor-conductor)	$\leq 160 \text{ V}$ (C2 - 10 kV / 5 kA)
Residual voltage at $I_n$ (conductor-ground)	$\leq 200 \text{ V}$ (C2 - 10 kV / 5 kA)
Voltage protection level $U_p$ (line-line)	$\leq 250 \text{ V}$ (B2 - 1 kV / 25 A)
	$\leq 300 \text{ V}$ (B2 - 4 kV / 100 A)
	$\leq 270 \text{ V}$ (C1 - 1 kV / 500 A)
	$\leq 300 \text{ V}$ (C2 - 2 kV/1 kA)
	$\leq 320 \text{ V}$ (C2 - 4 kV / 2 kA)
	$\leq 330 \text{ V}$ (C2 - 10 kV / 5 kA)
Voltage protection level $U_p$ (line-earth)	$\leq 250 \text{ V}$ (B2 - 1 kV / 25 A)
	$\leq 300 \text{ V}$ (B2 - 4 kV / 100 A)
	$\leq 270 \text{ V}$ (C1 - 1 kV / 500 A)
	$\leq 300 \text{ V}$ (C2 - 2 kV/1 kA)
	$\leq 320 \text{ V}$ (C2 - 4 kV / 2 kA)
	$\leq 330 \text{ V}$ (C2 - 10 kV / 5 kA)
Response time $t_A$ (line-line)	$\leq 500 \text{ ns}$
Response time $t_A$ (line-earth)	$\leq 500 \text{ ns}$

# PT 2-TELE - Surge protection device



2882828

<https://www.phoenixcontact.com/us/products/2882828>

Input attenuation aE, sym.	typ. 0.4 dB ( $\leq 5$ MHz / 100 $\Omega$ )
Cut-off frequency f <sub>g</sub> (3 dB), sym. in 100 $\Omega$ system	typ. 20 MHz
Capacity (Core-Core)	typ. 30 pF (f=1 MHz / V <sub>R</sub> = 0 V)
Capacity (Core-Earth)	typ. 30 pF (f=1 MHz / V <sub>R</sub> = 0 V)
Resistance per path	2.2 $\Omega \pm 10$ %
Surge protection fault message	none
Impulse durability (line-line)	B2 - 4 kV / 100 A
	C1 - 1 kV / 500 A
	C2 - 10 kV / 5 kA
	C3 - 25 A
	D1 - 1 kA
Impulse durability (line-earth)	B2 - 4 kV / 100 A
	C1 - 1 kV / 500 A
	C2 - 10 kV / 5 kA
	C3 - 25 A
	D1 - 1 kA

## Environmental and real-life conditions

### Ambient conditions

Degree of protection	IP20
Ambient temperature (operation)	-40 °C ... 85 °C
Ambient temperature (storage/transport)	-40 °C ... 85 °C
Altitude	$\leq 2000$ m (amsl)

## Standards and regulations

Standards/specifications	IEC 61643-21
Note	2000
Standards/specifications	EN 61643-21
Note	2002

## Mounting

Mounting type	DIN rail: 35 mm
---------------	-----------------

# PT 2-TELE - Surge protection device

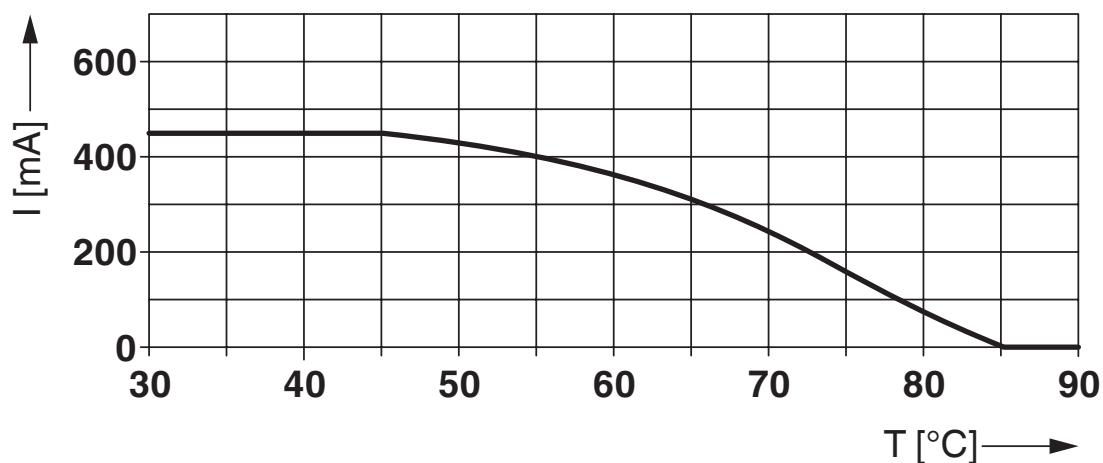


2882828

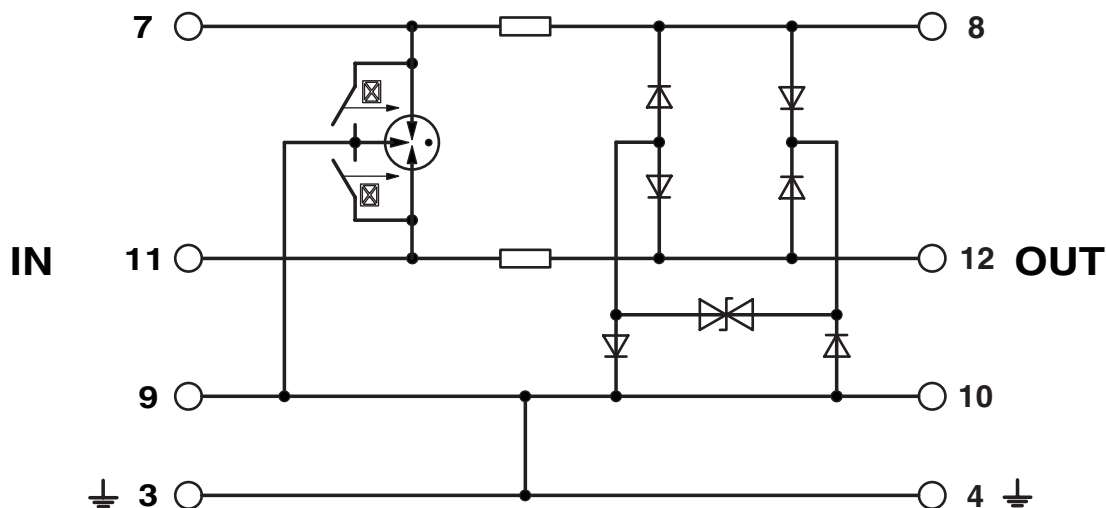
<https://www.phoenixcontact.com/us/products/2882828>

## Drawings

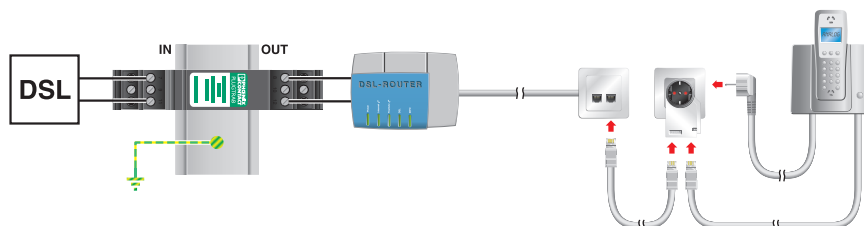
Diagram



Circuit diagram



Application drawing



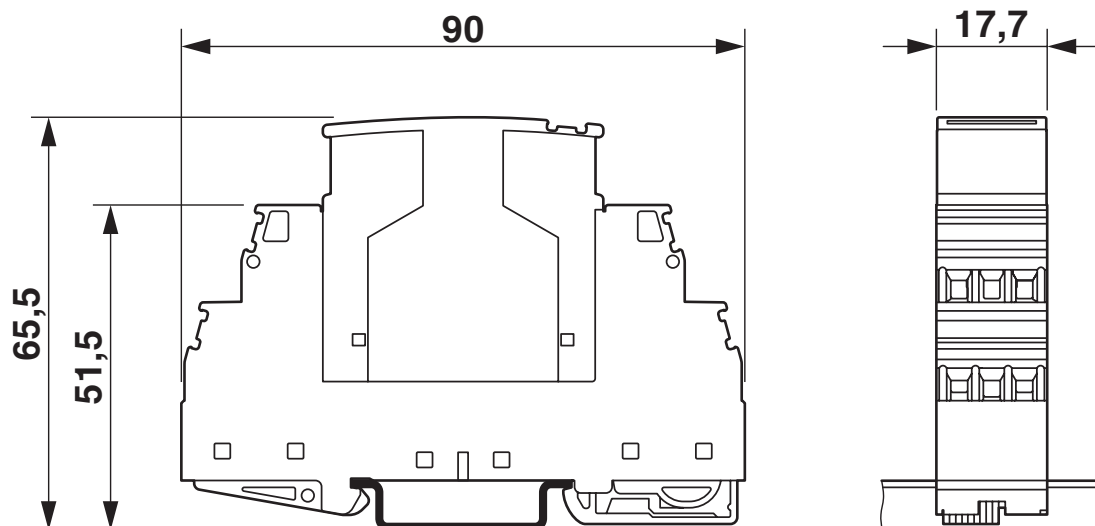
# PT 2-TELE - Surge protection device

2882828

<https://www.phoenixcontact.com/us/products/2882828>



Dimensional drawing



# PT 2-TELE - Surge protection device



2882828

<https://www.phoenixcontact.com/us/products/2882828>

## Approvals

To download certificates, visit the product detail page: <https://www.phoenixcontact.com/us/products/2882828>



**EAC**

Approval ID: EAC-Zulassung



**EAC**

Approval ID: RU C-DE.\*09.B.00169



**UL Listed**

Approval ID: FILE E 477688



**cUL Listed**

Approval ID: FILE E 477688

**cULus Listed**

# PT 2-TELE - Surge protection device



2882828

<https://www.phoenixcontact.com/us/products/2882828>

## Classifications

### ECLASS

ECLASS-11.0	27130807
ECLASS-13.0	27171503

### ETIM

ETIM 9.0	EC001466
----------	----------

### UNSPSC

UNSPSC 21.0	39121600
-------------	----------



# PT 2-TELE - Surge protection device



2882828

<https://www.phoenixcontact.com/us/products/2882828>

## Environmental product compliance

REACH SVHC	Lead 7439-92-1
China RoHS	Environmentally Friendly Use Period = 50 years
	For information on hazardous substances, refer to the manufacturer's declaration available under "Downloads"

Phoenix Contact 2024 © - all rights reserved

<https://www.phoenixcontact.com>

Phoenix Contact USA  
586 Fulling Mill Road  
Middletown, PA 17057, United States  
(+717) 944-1300  
[info@phoenixcon.com](mailto:info@phoenixcon.com)