

FLT-CP-PLUS-1S-350 - Type 1+2 combined lightning current and surge arrester



2882682

<https://www.phoenixcontact.com/us/products/2882682>

Please be informed that the data shown in this PDF document is generated from our online catalog. Please find the complete data in the user documentation. Our general terms of use for downloads are valid.



Pluggable lightning current arrester, in acc. with type 1/class I/B for 1-phase power supply networks with separately installed PE and N (L1, PE, N).

Commercial data

Item number	2882682
Packing unit	1 pc
Note	Made to order (non-returnable)
Sales key	CL01
Product key	CL1111
Catalog page	Page 29 (C-6-2013)
GTIN	4046356098205
Weight per piece (including packing)	763.5 g
Weight per piece (excluding packing)	763.5 g
Customs tariff number	85363010
Country of origin	DE

FLT-CP-PLUS-1S-350 - Type 1+2 combined lightning current and surge arrester



2882682

<https://www.phoenixcontact.com/us/products/2882682>

Technical data

Product properties

IEC test classification	I / II
	T1 / T2
EN type	T1 / T2
IEC power supply system	TN-S
	TT
Type	DIN rail module, two-section, divisible
Product type	Combination type
Number of positions	2
Surge protection fault message	Optical, remote indicator contact

Insulation characteristics

Overvoltage category	III
Pollution degree	2

Electrical properties

Nominal frequency f_N	50 Hz (60 Hz)
-------------------------	---------------

Indicator/remote signaling

Connection name	Remote fault indicator contact
Switching function	Changeover contact
Operating voltage	12 V AC ... 250 V AC
	125 V DC (200 mA DC)
Operating current	10 mA AC ... 1 A AC
	1 A DC (30 V DC)

Connection data

Connection method	Screw terminal blocks
Screw thread	M5
Tightening torque	4.5 Nm
Stripping length	18 mm
Conductor cross section flexible	2.5 mm ² ... 25 mm ²
Conductor cross section rigid	2.5 mm ² ... 35 mm ²
Conductor cross section AWG	13 ... 2

Remote fault indicator contact

Connection method	Plug-in/screw connection via COMBICON
Screw thread	M2
Tightening torque	0.25 Nm
Stripping length	7 mm
Conductor cross section flexible	0.14 mm ² ... 1.5 mm ²

FLT-CP-PLUS-1S-350 - Type 1+2 combined lightning current and surge arrester

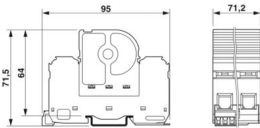


2882682

<https://www.phoenixcontact.com/us/products/2882682>

Conductor cross section rigid	0.14 mm ² ... 1.5 mm ²
Conductor cross section AWG	28 ... 16

Dimensions

Dimensional drawing	
Width	71.2 mm
Height	95 mm
Depth	71.5 mm
Horizontal pitch	4 Div.

Material specifications

Flammability rating according to UL 94	V-0
CTI value of material	600
Insulating material	PA 6.6/PBT
Material group	I
Housing material	PBT

Mechanical properties

Mechanical data

Open side panel	No
-----------------	----

Protective circuit

Mode of protection	L-N
	L-PE
	N-PE
Direction of action	1L-N & N-PE
Nominal voltage U_N	240 V AC (TN-S)
	240 V AC (TT)
Nominal frequency f_N	50 Hz (60 Hz)
Maximum continuous operating voltage U_C (L-N)	350 V AC
Maximum continuous operating voltage U_C (N-PE)	350 V AC
Rated load current I_L	125 A (< 55 °C)
Residual current I_{PE}	≤ 0.01 mA
Nominal discharge current I_n (8/20) μs (L-N)	25 kA
Nominal discharge current I_n (8/20) μs (L-PE)	25 kA
Nominal discharge current I_n (8/20) μs (N-PE)	100 kA
Maximum discharge current I_{max} (8/20) μs (L-N)	50 kA
Maximum discharge current I_{max} (8/20) μs (L-PE)	50 kA

FLT-CP-PLUS-1S-350 - Type 1+2 combined lightning current and surge arrester



2882682

<https://www.phoenixcontact.com/us/products/2882682>

Impulse discharge current (10/350) μs (L-N), charge	12.5 As
Impulse discharge current (10/350) μs (L-N), specific energy	160 kJ/ Ω
Impulse discharge current (10/350) μs (L-N), peak current value I_{imp}	25 kA
Impulse discharge current (10/350) μs (L-PE), charge	12.5 As
Impulse discharge current (10/350) μs (L-PE), specific energy	160 kJ/ Ω
Impulse discharge current (10/350) μs (L-PE), peak current value I_{imp}	25 kA
Impulse discharge current (10/350) μs (N-PE), charge	50 As
Impulse discharge current (10/350) μs (N-PE), specific energy	2500 kJ/ Ω
Impulse discharge current (10/350) μs (N-PE), peak current value I_{imp}	100 kA
Total discharge current I_{total} (10/350) μs	50 kA
Follow current quenching capacity I_{fi} (L-N)	50 kA
Follow current interrupt rating I_{fi} (N-PE)	100 A
Short-circuit current rating I_{SCCR}	50 kA
Voltage protection level U_{p} (L-N)	≤ 1.5 kV
Voltage protection level U_{p} (L-PE)	≤ 2.5 kV
Voltage protection level U_{p} (N-PE)	≤ 1.5 kV
Residual voltage U_{res} (L-N)	≤ 1.5 kV (at I_{n})
Residual voltage U_{res} (L-PE)	≤ 2.5 kV (at I_{n})
Residual voltage U_{res} (N-PE)	≤ 1.5 kV (at I_{n})
TOV behavior at U_{T} (L-N)	415 V AC (5 s / withstand mode) 457 V AC (120 min / withstand mode)
TOV behavior at U_{T} (N-PE)	1200 V AC (200 ms / withstand mode)
Response time t_{A} (L-N)	≤ 100 ns
Response time t_{A} (N-PE)	≤ 100 ns
Max. backup fuse with V-type through wiring	125 A (gG)
Max. backup fuse with branch wiring	315 A (gG)

Environmental and real-life conditions

Ambient conditions

Degree of protection	IP20 (only when all terminal points are used)
Ambient temperature (operation)	-40 °C ... 80 °C
Ambient temperature (storage/transport)	-40 °C ... 80 °C
Altitude	≤ 2000 m (amsl)
Permissible humidity (operation)	5 % ... 95 %
Shock (operation)	25g (Half-sine / 11 ms / 3x $\pm X$, $\pm Y$, $\pm Z$)
Vibration (operation)	5g (5 - 500 Hz/2.5 h/X, Y, Z)

Approvals

UL specifications

Maximum continuous operating voltage MCOV (L-N)	264 V AC
---	----------

FLT-CP-PLUS-1S-350 - Type 1+2 combined lightning current and surge arrester



2882682

<https://www.phoenixcontact.com/us/products/2882682>

Maximum continuous operating voltage MCOV (L-G)	528 V AC
Maximum continuous operating voltage MCOV (N-G)	264 V AC
Nominal discharge current I_n (L-N)	20 kA
Nominal discharge current I_n (L-G)	20 kA
Nominal discharge current I_n (N-G)	20 kA
Mode of protection	L-N
	L-G
	N-G
Nominal voltage	240 V AC
Power distribution system	Split phase
Nominal frequency	50/60 Hz
Measured limiting voltage MLV (L-N)	1350 V
Measured limiting voltage MLV (L-G)	1570 V
Measured limiting voltage MLV (N-G)	1080 V
Follow current (L-N)	10 kA (264 V AC)
Follow current (L-G)	200 A (264 V AC)
SPD Type	4CA

UL indicator/remote signaling

Operating voltage	125 V AC
AC operating current	1 A AC

UL connection data

Tightening torque	40 lb _F ·in.
Conductor cross section AWG	12 ... 2

Standards and regulations

Air clearances and creepage distances

Standards/regulations	EN 60664-1 / IEC 60664-1 / IEC 61643-11
Standards/specifications	IEC 61643-11
Note	2011
Standards/specifications	EN 61643-11
Note	2012

Mounting

Mounting type	DIN rail: 35 mm
---------------	-----------------

FLT-CP-PLUS-1S-350 - Type 1+2 combined lightning current and surge arrester

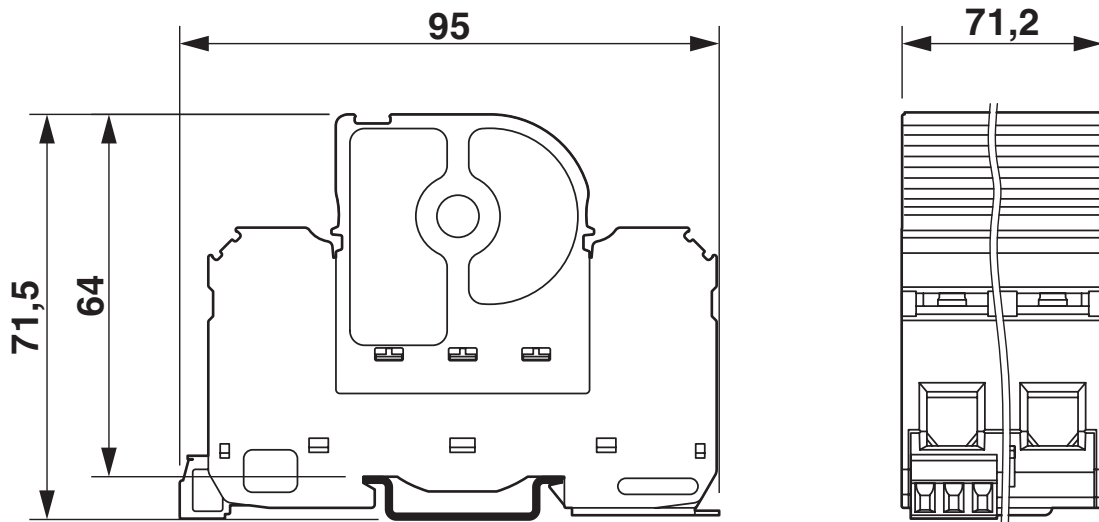


2882682

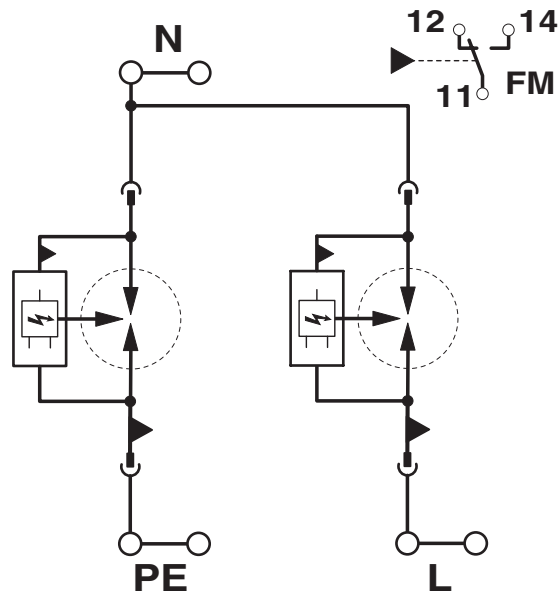
<https://www.phoenixcontact.com/us/products/2882682>

Drawings

Dimensional drawing



Circuit diagram



FLT-CP-PLUS-1S-350 - Type 1+2 combined lightning current and surge arrester



2882682

<https://www.phoenixcontact.com/us/products/2882682>

Environmental product compliance

China RoHS

Environmentally Friendly Use Period = 50 years

For information on hazardous substances, refer to the manufacturer's declaration available under "Downloads"

FLT-CP-PLUS-1S-350 - Type 1+2 combined lightning current and surge arrester



2882682

<https://www.phoenixcontact.com/us/products/2882682>

Accessories

CLIPFIX 35 - End bracket

3022218

<https://www.phoenixcontact.com/us/products/3022218>



Quick mounting end clamp for NS 35/7,5 DIN rail or NS 35/15 DIN rail, with marking option, width: 9.5 mm, color: gray

B-STIFT - Marker pen

1051993

<https://www.phoenixcontact.com/us/products/1051993>



Marker pen, for manual labeling of unprinted Zack strips, smear-proof and waterproof, line thickness 0.5 mm

FLT-CP-PLUS-1S-350 - Type 1+2 combined lightning current and surge arrester



2882682

<https://www.phoenixcontact.com/us/products/2882682>

ZBN 18:UNBEDRUCKT - Zack marker strip

2809128

<https://www.phoenixcontact.com/us/products/2809128>

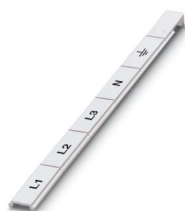


Zack marker strip, Strip, white, unlabeled, can be labeled with: CMS-P1-PLOTTER, PLOTMARK, mounting type: snapped, for terminal block width: 18 mm, lettering field size: 18 x 5 mm, Number of individual labels: 5

ZBN 18,LGS:L1-N,ERDE - Marker for terminal blocks

2749576

<https://www.phoenixcontact.com/us/products/2749576>



Marker for terminal blocks, Strip, white, labeled, horizontal: L1, L2, L3, N, GND, mounting type: snapped, for terminal block width: 18 mm, lettering field size: 18 x 5 mm, Number of individual labels: 5

FLT-CP-PLUS-1S-350 - Type 1+2 combined lightning current and surge arrester



2882682

<https://www.phoenixcontact.com/us/products/2882682>

ZBN 18,LGS:ERDE - Marker for terminal blocks

2749589

<https://www.phoenixcontact.com/us/products/2749589>



Marker for terminal blocks, Strip, white, labeled, horizontal: Grounding symbol, mounting type: snapped, for terminal block width: 18 mm, lettering field size: 18 x 5 mm, Number of individual labels: 5

ZBFM 5/WH:UNBEDRUCKT - Flat zack marker sheet

0803595

<https://www.phoenixcontact.com/us/products/0803595>



Flat zack marker sheet, Sheet, white, unlabeled, can be labeled with: CMS-P1-PLOTTER, PLOTMARK, mounting type: snapped, for terminal block width: 5.2 mm, lettering field size: 5 x 4.5 mm, Number of individual labels: 120

FLT-CP-PLUS-1S-350 - Type 1+2 combined lightning current and surge arrester



2882682

<https://www.phoenixcontact.com/us/products/2882682>

FLT-CP-PLUS-350-ST - Type 1 surge protection plug

2859913

<https://www.phoenixcontact.com/us/products/2859913>



Type 1 / Class I / B arrester (lightning current arrester) replacement plug for paths L-N and L-PEN, can be combined with FLASHTRAB compact series of products.

FLT-CP-N/PE-350-ST - Type 1 surge protection plug

2859686

<https://www.phoenixcontact.com/us/products/2859686>



Type 1 / Class I / B arrester (lightning current arrester) replacement plug for path N-PE, can be combined with FLASHTRAB compact series of products.

Phoenix Contact 2024 © - all rights reserved

<https://www.phoenixcontact.com>

Phoenix Contact USA
586 Fulling Mill Road
Middletown, PA 17057, United States
(+717) 944-1300
info@phoenixcon.com