

# IL MOD BK DI8 DO4-PAC - Bus coupler



2878696

<https://www.phoenixcontact.com/nz/products/2878696>

Please be informed that the data shown in this PDF document is generated from our online catalog. Please find the complete data in the user documentation. Our general terms of use for downloads are valid.



Inline, Bus coupler, Modbus/RTU, D-SUB-9 female connector, Digital inputs: 8, 24 V DC, connection technology: 3-conductor, Digital outputs: 4, 24 V DC, 500 mA, connection technology: 3-conductor, transmission speed in the local bus: 500 kbps / 2 Mbps, degree of protection: IP20, including inline connectors, marking fields, and end plate

## Product description

The bus coupler with integrated I/Os is intended for use within a Modbus RTU/ASCII network and represents the link to the Inline I/O system. Up to 61 Inline devices can be connected to the bus coupler. The bus coupler supports a maximum of 8 PCP devices.

## Your advantages

- Modbus connection via 9-pos. D-SUB socket
- Electrical isolation between Modbus interface and logic
- 8 digital inputs, 4 digital outputs (on-board)
- Data transmission speed in Modbus of 1.2 kbps to 115.2 kbps (configurable)
- Rotary coding switches for setting the Modbus address and for configuration
- Supported Modbus addresses from 1 to 99
- Automatic detection of the transmission speed in the local bus (500 kbps or 2 Mbps)
- Shipbuilding and UL approvals

## Commercial data

Item number	2878696
Packing unit	1 pc
Minimum order quantity	1 pc
Sales key	DRI115
Product key	DRI115
Catalog page	Page 108 (C-6-2019)
GTIN	4046356099967
Weight per piece (including packing)	320.9 g
Weight per piece (excluding packing)	316 g
Country of origin	DE

# IL MOD BK DI8 DO4-PAC - Bus coupler

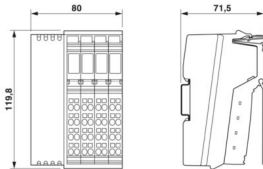


2878696

<https://www.phoenixcontact.com/nz/products/2878696>

## Technical data

### Dimensions

Dimensional drawing	
Width	80 mm
Height	119.8 mm
Depth	71.5 mm
Note on dimensions	Specifications with connectors

### Notes

#### Utilization restriction

CCCex note	Use in potentially explosive areas is not permitted in China.
------------	---

### Interfaces

#### Modbus/RTU

Number of interfaces	1
Connection method	D-SUB-9 female connector
Note on the connection method	Electrically isolated supply, shielding directly connected to functional ground
Transmission speed	1.2 kBit/s ... 115.2 kBit/s (can be parameterized)

#### Inline local bus

Number of interfaces	1
Connection method	Inline data jumper
Transmission speed	500 kbps / 2 Mbps (automatic detection, no combined system)

### System properties

#### System limits

Number of supported devices	max. 63 (per station)
Number of local bus devices that can be connected	max. 61 (The on-board I/Os are two devices)
Number of devices with parameter channel	max. 8
Number of supported branch terminals with remote bus branch	0

#### Module

ID code (hex)	none
Input address area	8 bit
Output address area	4 bit
Register length	16 bit

# IL MOD BK DI8 DO4-PAC - Bus coupler



2878696

<https://www.phoenixcontact.com/nz/products/2878696>

## Input data

### Digital

Input name	Digital inputs
Description of the input	EN 61131-2 type 1
Number of inputs	8
Connection method	Inline connector
Connection technology	3-conductor
Input voltage	24 V DC
Input voltage range "0" signal	-30 V DC ... 5 V DC
Input voltage range "1" signal	15 V DC ... 30 V DC
Nominal input voltage $U_{IN}$	24 V DC
Nominal input current at $U_{IN}$	typ. 3 mA
Typical input current per channel	typ. 3 mA
Typical response time	approx. 500 $\mu$ s
Delay at signal change from 0 to 1	1.2 ms
Delay at signal change from 1 to 0	1.2 ms

## Output data

### Digital

Output name	Digital outputs
Connection method	Inline connector
Connection technology	3-conductor
Number of outputs	4
Protective circuit	Short-circuit and overload protection; Freewheeling circuit in the output driver
Output voltage	24 V DC -1 V (At nominal current)
Maximum output current per module	max. 2 A
Nominal output voltage	24 V DC
Output current when switched off	max. 10 $\mu$ A (When not loaded, a voltage can be measured even at an output that is not set.)
Nominal load, inductive	12 VA (1.2 H, 48 $\Omega$ )
Nominal load, lamp	12 W
Nominal load, ohmic	12 W
Reverse voltage resistance to short pulses	Reverse voltage proof
Behavior with overload	Auto restart
Behavior with inductive overload	Output can be destroyed
Behavior at voltage switch-off	The output follows the power supply without delay
Signal delay	typ. 1.2 ms
Overcurrent shut-down	min. 0.7 A

## Product properties

Type	modular
Product type	I/O component

# IL MOD BK DI8 DO4-PAC - Bus coupler



2878696

<https://www.phoenixcontact.com/nz/products/2878696>

Product family	Inline
Scope of delivery	including inline connectors, marking fields, and end plate
No. of channels	12
Diagnostics messages	Short-circuit or overload of the digital outputs yes
	Sensor supply failure yes
	Failure of the actuator supply yes

## Insulation characteristics

Overvoltage category	II (IEC 60664-1, EN 60664-1)
Pollution degree	2 (IEC 60664-1, EN 60664-1)

## Electrical properties

Maximum power dissipation for nominal condition	23.5 W
---	--------

### Potentials

Power consumption	typ. 3 W (entire device)
-------------------	--------------------------

Potentials: Bus coupler supply  $U_{BK}$ ; Communications power  $U_L$  (7.5 V) and the analog supply  $U_{ANA}$  (24 V) are generated from the bus coupler supply.

Supply voltage	24 V DC (via Inline connector)
Supply voltage range	19.2 V DC ... 30 V DC (including all tolerances, including ripple)
Current draw	max. 0.94 A (with max. number of connected I/O terminal blocks)
	typ. 40 mA (without connected I/O terminal blocks)

### Potentials: Communications power ( $U_L$ )

Supply voltage	7.5 V DC
----------------	----------

### Potentials: Supply of analog modules ( $U_{ANA}$ )

Supply voltage	24 V DC
Supply voltage range	19.2 V DC ... 30 V DC (including all tolerances, including ripple)

### Potentials: Main circuit supply ( $U_M$ )

Supply voltage	24 V DC (via Inline connector)
Supply voltage range	19.2 V DC ... 30 V DC (including all tolerances, including ripple)
Current draw	max. 8 A DC
	min. 3 mA (without connected peripherals)

### Potentials: Segment circuit supply ( $U_S$ )

Supply voltage	24 V DC (via Inline connector)
Supply voltage range	19.2 V DC ... 30 V DC (including all tolerances, including ripple)
Current draw	max. 8 A DC
	min. 3 mA (without connected peripherals)

## Electrical isolation/isolation of the voltage ranges

Test voltage: Modbus interface 1 / Modbus interface 2	500 V AC, 50 Hz, 1 min.
Test voltage: Modbus interface 1 / communications power ( $U_{BK}$ , $U_L$ , $U_{ANA}$ )	500 V AC, 50 Hz, 1 min.
Test voltage: Modbus interface 1 / I/O ( $U_M$ , $U_S$ )	500 V AC, 50 Hz, 1 min.

# IL MOD BK DI8 DO4-PAC - Bus coupler



2878696

<https://www.phoenixcontact.com/nz/products/2878696>

Test voltage: Modbus interface 1 / functional ground	500 V AC, 50 Hz, 1 min.
Test voltage: Modbus interface 2 / communications power ( $U_{BK}$ , $U_L$ , $U_{ANA}$ )	500 V AC, 50 Hz, 1 min.
Test voltage: Modbus interface 2 / I/O ( $U_M$ , $U_S$ )	500 V AC, 50 Hz, 1 min.
Test voltage: Modbus interface 2 / functional ground	500 V AC, 50 Hz, 1 min.
Test voltage: Communications power ( $U_{BK}$ , $U_L$ , $U_{ANA}$ ) / I/O ( $U_M$ , $U_S$ )	500 V AC, 50 Hz, 1 min.
Test voltage: Communications power ( $U_{BK}$ , $U_L$ , $U_{ANA}$ ) / functional ground	500 V AC, 50 Hz, 1 min.
Test voltage: I/O ( $U_M$ , $U_S$ ) / functional ground	500 V AC, 50 Hz, 1 min.

## Connection data

### Connection technology

Connection name	Inline connector
-----------------	------------------

### Conductor connection

Connection method	Spring-cage connection
Conductor cross section rigid	0.08 mm <sup>2</sup> ... 1.5 mm <sup>2</sup>
Conductor cross section flexible	0.08 mm <sup>2</sup> ... 1.5 mm <sup>2</sup>
Conductor cross section AWG	28 ... 16
Stripping length	8 mm

### Inline connector

Connection method	Spring-cage connection
Conductor cross section, rigid	0.08 mm <sup>2</sup> ... 1.5 mm <sup>2</sup>
Conductor cross section, flexible	0.08 mm <sup>2</sup> ... 1.5 mm <sup>2</sup>
Conductor cross section AWG	28 ... 16
Stripping length	8 mm

## Environmental and real-life conditions

### Ambient conditions

Ambient temperature (operation)	-25 °C ... 60 °C
Degree of protection	IP20
Air pressure (operation)	70 kPa ... 106 kPa (up to 3000 m above sea level)
Air pressure (storage/transport)	70 kPa ... 106 kPa (up to 3000 m above sea level)
Ambient temperature (storage/transport)	-40 °C ... 85 °C
Permissible humidity (operation)	10 % ... 95 % (non-condensing)
Permissible humidity (storage/transport)	10 % ... 95 % (non-condensing)

## Standards and regulations

Protection class	III (IEC 61140, EN 61140, VDE 0140-1)
------------------	---------------------------------------

## Mounting

Mounting type	DIN rail mounting
---------------	-------------------

# IL MOD BK DI8 DO4-PAC - Bus coupler

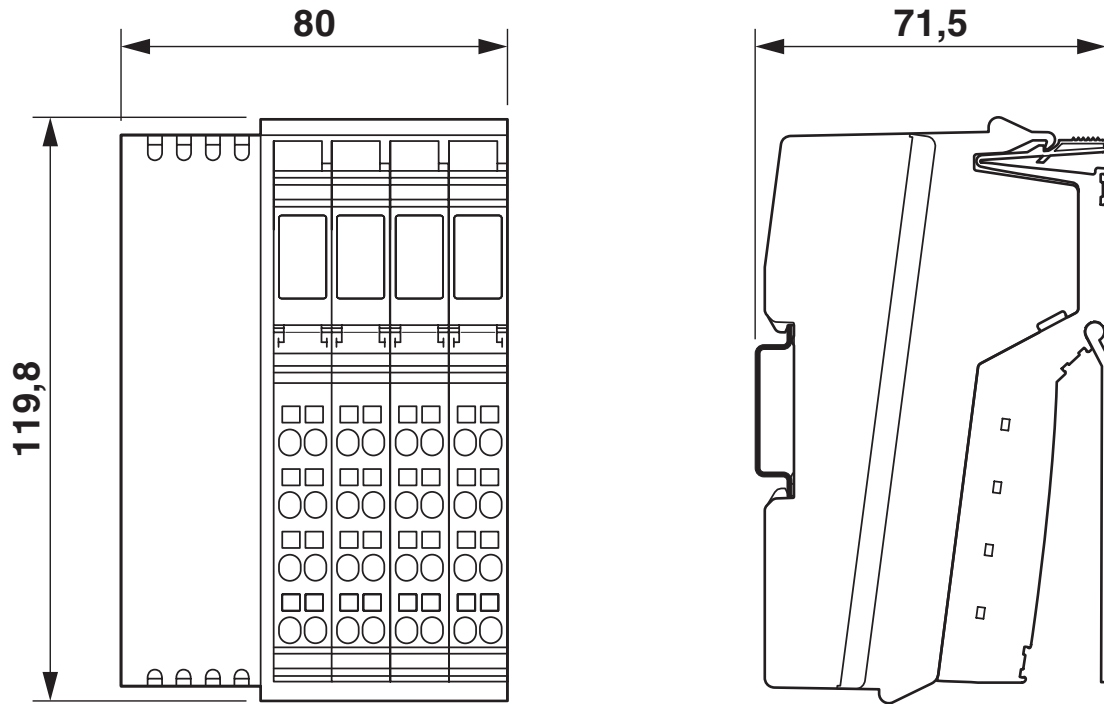
2878696

<https://www.phoenixcontact.com/nz/products/2878696>



## Drawings

Dimensional drawing

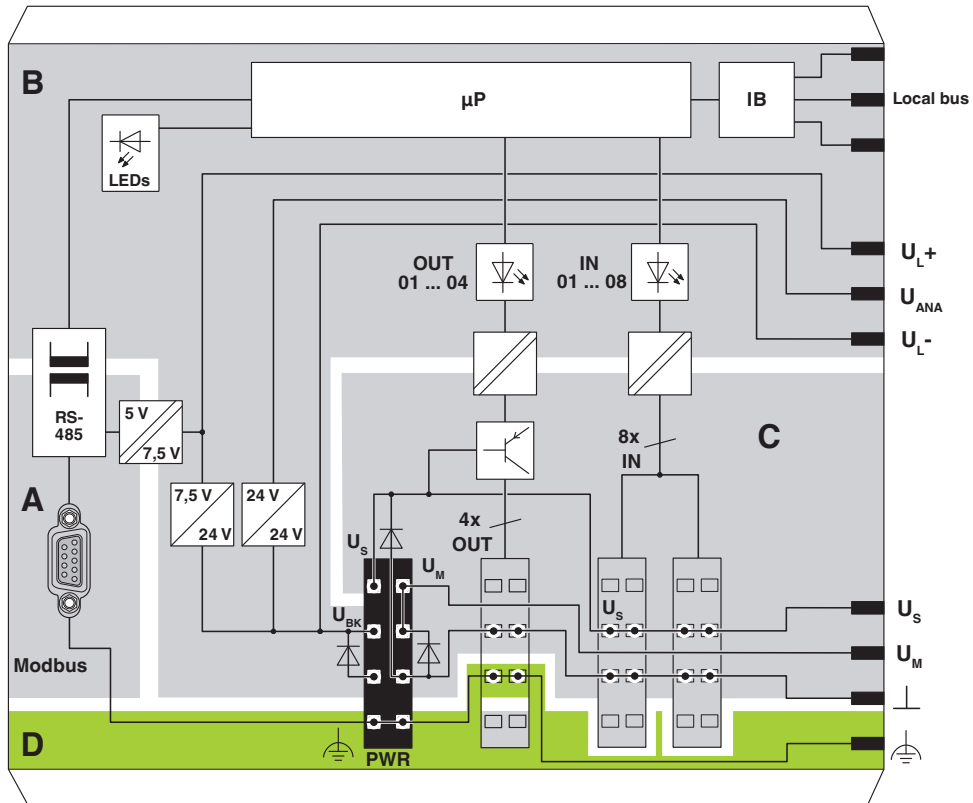


# IL MOD BK DI8 DO4-PAC - Bus coupler

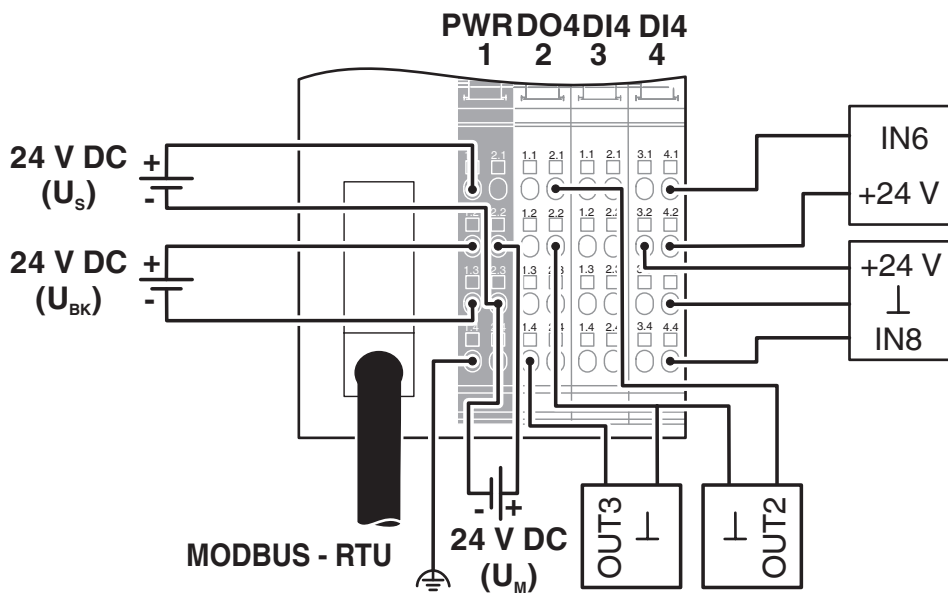
2878696

<https://www.phoenixcontact.com/nz/products/2878696>

Block diagram



Connection diagram



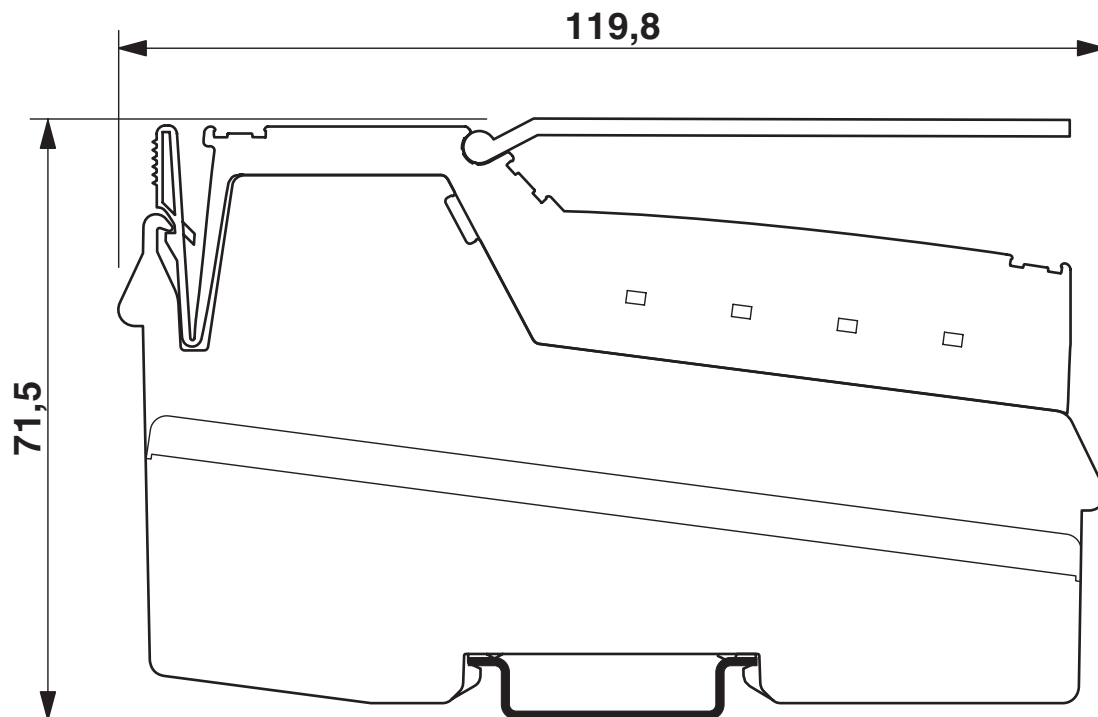
# IL MOD BK DI8 DO4-PAC - Bus coupler



2878696

<https://www.phoenixcontact.com/nz/products/2878696>

Dimensional drawing





# IL MOD BK DI8 DO4-PAC - Bus coupler



2878696

<https://www.phoenixcontact.com/nz/products/2878696>

## Approvals

To download certificates, visit the product detail page: <https://www.phoenixcontact.com/nz/products/2878696>



**cUL Recognized**  
Approval ID: FILE E 140324



**UL Recognized**  
Approval ID: FILE E 140324



**EAC**  
Approval ID: TR TS\_S\_03508-21



**DNV GL**  
Approval ID: TAA00001KV



**BV**  
Approval ID: 21595/C0 BV

**ABS**

Approval ID: 22-2226444-PDA

**UAE-RoHS**

Approval ID: 22-04-13087

**cULus Recognized**

# IL MOD BK DI8 DO4-PAC - Bus coupler



2878696

<https://www.phoenixcontact.com/nz/products/2878696>

## Classifications

### ECLASS

ECLASS-11.0	27242608
ECLASS-12.0	27242608
ECLASS-13.0	27242608

### ETIM

ETIM 9.0	EC001604
----------	----------

### UNSPSC

UNSPSC 21.0	32151600
-------------	----------

# IL MOD BK DI8 DO4-PAC - Bus coupler



2878696

<https://www.phoenixcontact.com/nz/products/2878696>

## Environmental product compliance

REACH SVHC	Lead 7439-92-1
China RoHS	Environmentally friendly use period: unlimited = EFUP-e
	No hazardous substances above threshold values

Phoenix Contact 2024 © - all rights reserved  
<https://www.phoenixcontact.com>

PHOENIX CONTACT Ltd  
Unit 15C, 906-930 Great South Road, Penrose  
Auckland 1061  
0508 474 636  
[sales@phoenixcontact.co.nz](mailto:sales@phoenixcontact.co.nz)