

PI-EX-SD-24-48 - Solenoid driver

2865298

<https://www.phoenixcontact.com/us/products/2865298>

Please be informed that the data shown in this PDF document is generated from our online catalog. Please find the complete data in the user documentation. Our general terms of use for downloads are valid.



Ex i solenoid driver, pluggable. To control intrinsically safe solenoid valves, alarm modules as well as simple electric equipment installed in Ex areas. For Group IIC gases, loop-powered. Electrical isolation.

Commercial data

Item number	2865298
Packing unit	1 pc
Sales key	C430
Product key	CK3832
Catalog page	Page 463 (IF-2009)
GTIN	4046356147101
Weight per piece (including packing)	99.8 g
Weight per piece (excluding packing)	85.7 g
Customs tariff number	85437090
Country of origin	DE

PI-EX-SD-24-48 - Solenoid driver



2865298

<https://www.phoenixcontact.com/us/products/2865298>

Technical data

Product properties

Product type	Solenoid driver
Compatible valve	ASCO Coil 195
	ASCO Coil 302 (12 V)
	Bürkert Coil AC 10 standard
	Bürkert Coil AC 10 high resistance
	Bürkert Coil AC 21 standard 700 mW / 65°C
	Bürkert Coil AC 21 high resistance 700 mW / 65°C
	Bürkert Coil AC 21 standard 900 mW / 45°C
	Bürkert Coil AC 21 high resistance 900 mW / 45°C
	Bürkert Coil AC 21 standard 900 mW / 60°C
	Bürkert Coil AC 21 high resistance 900 mW / 60°C
	Bürkert Coil G1 642735 standard 800 mW / 40°C
	Bürkert Coil G1 642735 high resistance 800 mW / 40°C
	Bürkert Coil G1 642735 standard 1000 mW / 40°C
	Bürkert Coil G1 642735 high resistance 1000 mW / 40°C
	FESTO Coil MFH-...IA-SA-EX GBXE022AIAD03
	FESTO Coil (J)MFH-...BIA-SA-EX GBXE022AIAD03
	Norgren Herion Coil 2050
	Norgren Herion Coil 2051
	Norgren Herion Coil 2052
	Norgren Herion Coil 2053
	Norgren Herion Coil 2080 / 2082
	Norgren Herion Coil 2081 / 2083
	Norgren Herion Coil 2084
	Norgren Herion Coil 3039
	Nass Coil 1259 30.1-00
	Nass Coil 1259 50.1-00
	Parker Coil VZ07 488650.01
	Parker Coil VZ33 494035.10
	Parker Coil VZ08 488660.01
	Parker Coil VZ09 488670.01
	Parker Coil VZ95 482160.01 EEx ia IIB T6
	Parker Coil VZ23 482870.01
	Samson Coil 3701-12 (12 V)
	Samson Coil 3701-13 (24 V)
	Samson Coil 3963-12 (12 V)
	Samson Coil 3963-13 (24 V)
	Samson Coil 3964-12 (12 V)
	Samson Coil 3964-13 (24 V)
	Seitz Pilot valve PV 12F73 Ci oH

PI-EX-SD-24-48 - Solenoid driver



2865298

<https://www.phoenixcontact.com/us/products/2865298>

	Seitz Pilot valve PV 12F73 Xi oH
	Seitz Pilot valve PV 12F73 Xi oH-2
	Seitz Solenoid coil 11 G 52
Note	This is an extract of possible combinations of valves and solenoid drivers.

Electrical properties

Maximum temperature coefficient	0.01 %/K
---------------------------------	----------

Electrical isolation Input/output

Electrical isolation	375 V (Peak value as per EN 50020 / EN 60079-11)
Test voltage	2.5 kV AC (50 Hz, 60 s)

Supply

Max. current consumption	< 110 mA (at 24 V)
Power dissipation	max. 1.5 W (at 24 V)

Input data

Signal: Voltage

Number of inputs	1
Voltage input signal	20 V DC ... 30 V DC
Current input signal	15 mA DC ... 100 mA (85 mA for $U_e = 24$ V DC)

Output data

Signal: Voltage

Number of outputs	1
Output voltage	10.5 V (At 48 mA)
Output resistor	$\leq 278 \Omega$ (Internal resistance R_i)
Current limitation	48 mA
Response time	< 30 ms
Non-load voltage	24 V
Short-circuit-proof	yes

Ex data

Safety data

Max. output voltage U_o	27.7 V
Max. output current I_o	101 mA
Max. output power P_o	697 mW
Safety-related maximum voltage U_m	250 V AC (125 V DC)
IIA: Max. external inductivity L_o / Max. external capacitance C_o	20 mH / 0.44 μ F
IIB: Max. external inductivity L_o / Max. external capacitance C_o	2 mH / 0.29 μ F
IIC (Please follow the technical data regarding the connecting cables used.): Max. external inductivity L_o / Max. external capacitance C_o	0.5 mH / 0.067 μ F

PI-EX-SD-24-48 - Solenoid driver



2865298

<https://www.phoenixcontact.com/us/products/2865298>

Signaling

Status display	Yellow LED (status display)
	Red LED (line errors)

Dimensions

Dimensional drawing	
Width	12.4 mm
Height	79 mm
Depth	118.4 mm

Material specifications

Color	green (RAL 6021)
Flammability rating according to UL 94	V0
Housing material	PBT and polyamide PA non-reinforced

Environmental and real-life conditions

Ambient conditions

Degree of protection	IP20
Ambient temperature (operation)	-20 °C ... 55 °C
Ambient temperature (storage/transport)	-40 °C ... 85 °C
Permissible humidity (operation)	10 % ... 95 % (relative humidity, non-condensing)

Approvals

CE

Certificate	CE-compliant
-------------	--------------

ATEX

Identification	⊕ II (1) G [Ex ia Ga] IIC
	⊕ II (1) D [Ex ia Da] IIIC
	⊕ II 3 G Ex nA IIC T4 Gc
Certificate	PxCIF07ATEX2865298X

Safety Integrity Level (SIL, IEC 61508)

Identification	3
----------------	---

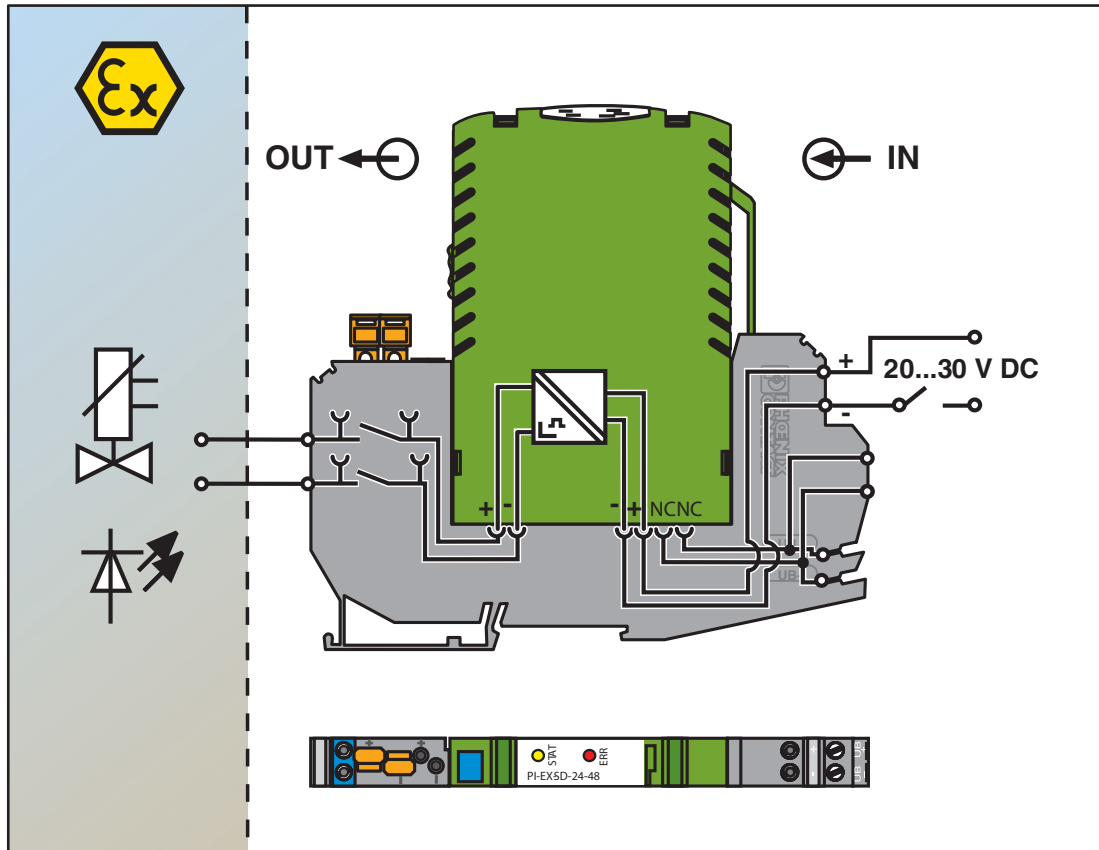
PI-EX-SD-24-48 - Solenoid driver

2865298

<https://www.phoenixcontact.com/us/products/2865298>

Drawings

Block diagram

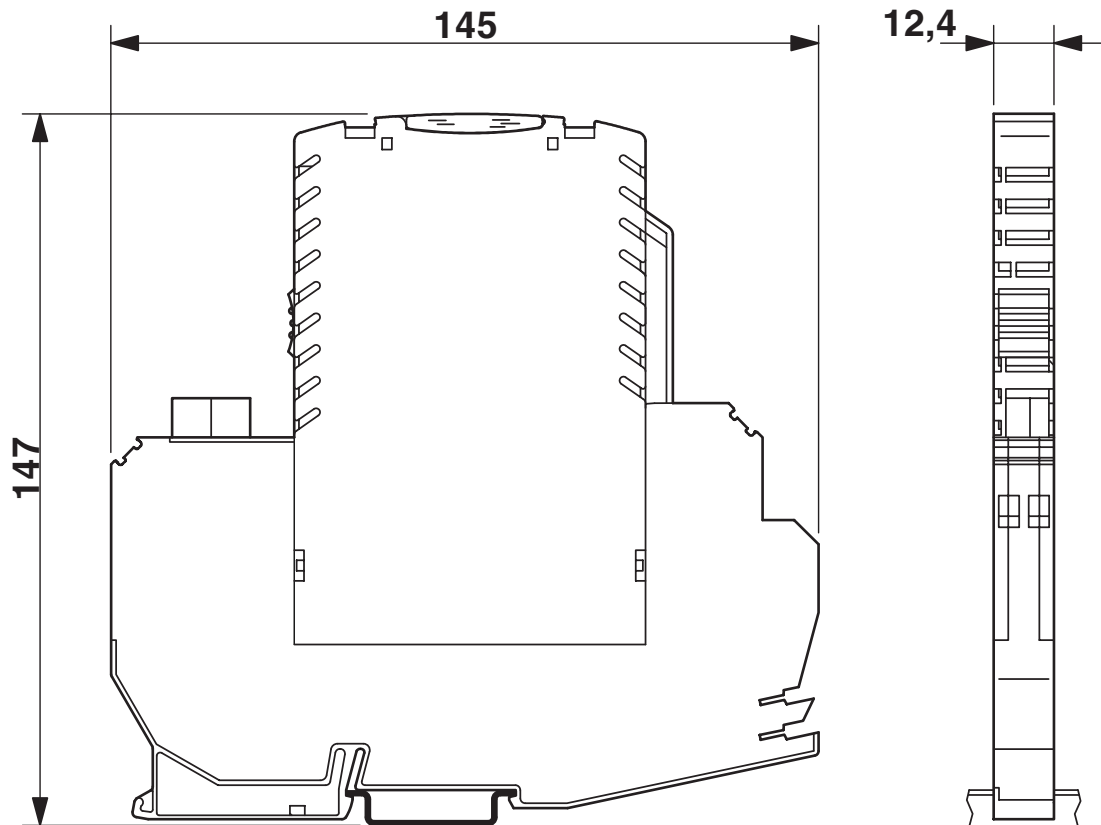


PI-EX-SD-24-48 - Solenoid driver

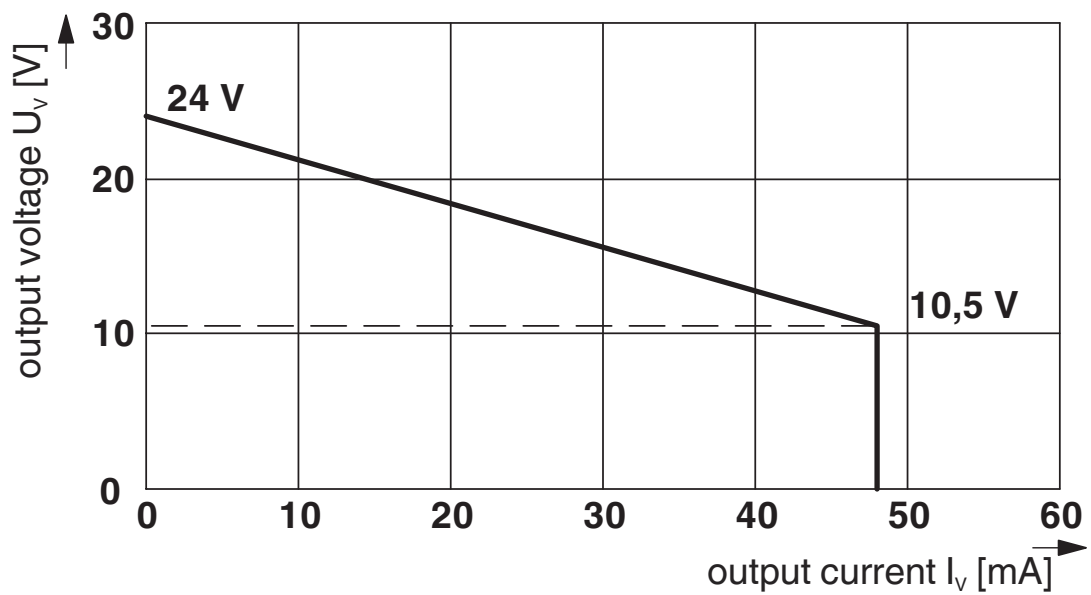
2865298

<https://www.phoenixcontact.com/us/products/2865298>

Dimensional drawing



Diagram



PI-EX-SD-24-48 - Solenoid driver



2865298

<https://www.phoenixcontact.com/us/products/2865298>

Classifications

ECLASS

ECLASS-11.0	27210120
ECLASS-12.0	27210120

ETIM

ETIM 8.0	EC002653
----------	----------

UNSPSC

UNSPSC 21.0	39121000
-------------	----------

PI-EX-SD-24-48 - Solenoid driver



2865298

<https://www.phoenixcontact.com/us/products/2865298>

Environmental product compliance

REACH SVHC	Lead 7439-92-1
China RoHS	Environmentally Friendly Use Period = 50 years
	For information on hazardous substances, refer to the manufacturer's declaration available under "Downloads"

Phoenix Contact 2024 © - all rights reserved

<https://www.phoenixcontact.com>

Phoenix Contact USA
586 Fulling Mill Road
Middletown, PA 17057, United States
(+717) 944-1300
info@phoenixcon.com