

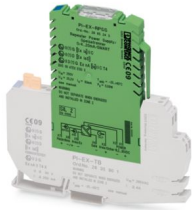
PI-EX-RPSS - Repeater power supply



2865243

<https://www.phoenixcontact.com/us/products/2865243>

Please be informed that the data shown in this PDF document is generated from our online catalog. Please find the complete data in the user documentation. Our general terms of use for downloads are valid.



Ex i analog input: repeater power supply, HART-transparent. Supplies intrinsically safe 2-conductor measuring transducers installed in the Ex area and transmits the 4 mA ... 20 mA signal to a load in the safe area. 3-way electrical isolation (input/output/supply).

Commercial data

Item number	2865243
Packing unit	1 pc
Sales key	C430
Product key	CK3811
Catalog page	Page 264 (NTK-2010)
GTIN	4046356164290
Weight per piece (including packing)	102.7 g
Weight per piece (excluding packing)	97.3 g
Customs tariff number	85437090
Country of origin	DE

PI-EX-RPSS - Repeater power supply



2865243

<https://www.phoenixcontact.com/us/products/2865243>

Technical data

Product properties

Product type	Signal conditioner
No. of channels	1

Insulation characteristics

Overvoltage category	II
Pollution degree	2

Electrical properties

Electrical isolation	3-way isolation
Electrical isolation between input and output	yes
Maximum power dissipation for nominal condition	< 1.1 W (24 V DC / 20 mA) < 0.9 W (24 V DC / 20 mA)
Step response (10-90%)	< 600 μ s (for 4 mA ... 20 mA step)
Maximum temperature coefficient	< 0.01 %/K
Maximum transmission error	< 0.1 % (of final value)
Transmission error, typical	< 0.05 % (of final value)

Electrical isolation Input/output/power supply

Rated insulation voltage	300 V _{rms}
Test voltage	2.5 kV AC (50 Hz, 60 s)
Insulation	Safe isolation in accordance with IEC/EN 61010-1

Electrical isolation Input/output

Electrical isolation	375 V (Peak value in accordance with IEC/EN 60079-11)
----------------------	---

Electrical isolation Input/power supply

Electrical isolation	375 V (Peak value in accordance with IEC/EN 60079-11)
----------------------	---

Supply

Supply voltage range	19.2 V DC ... 30 V DC
Max. current consumption	< 60 mA (at 24 V DC)
Power dissipation	< 1.1 W (at 24 V DC / 20 mA)

Input data

Signal: Current

Description of the input	Intrinsically safe
Current input signal	4 mA ... 20 mA
Transmitter supply voltage	> 16 V (at 20 mA) > 15.3 V (at 22.5 mA)

Output data

Signal: Current

PI-EX-RPSS - Repeater power supply

2865243

<https://www.phoenixcontact.com/us/products/2865243>

Current output signal	4 mA ... 20 mA (active)
	4 mA ... 20 mA (14 ... 26 V ext. source voltage)
Load/output load current output	< 600 Ω (at 20 mA)
	< 525 Ω (at 22.5 mA)
Output ripple	< 20 mV _{rms}
Output behavior in the event of an error	0 mA (Cable break in the input)
	\geq 24 mA (Cable short-circuit in the input)

Ex data

Safety data

Max. output voltage U_o	25.2 V
Max. output current I_o	93 mA
Max. output power P_o	590 mW
Safety-related maximum voltage U_m	253 V AC
IIB: Max. external inductivity L_o / Max. external capacitance C_o	4 mH / 820 nF
IIC: Max. external inductivity L_o / Max. external capacitance C_o	2 mH / 107 nF

Interfaces

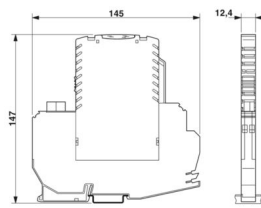
Data communication (bypass)

HART function	Yes
Protocols supported	HART-transparent

Signaling

Status display	Green LED (supply voltage, PWR)
----------------	---------------------------------

Dimensions

Dimensional drawing	
Width	12.4 mm
Height	79 mm
Depth	118.4 mm

Material specifications

Color	green (RAL 6021)
Flammability rating according to UL 94	V0
Housing material	PBT and polyamide PA non-reinforced

Environmental and real-life conditions

PI-EX-RPSS - Repeater power supply



2865243

<https://www.phoenixcontact.com/us/products/2865243>

Ambient conditions

Degree of protection	IP20
Ambient temperature (operation)	-20 °C ... 60 °C
Ambient temperature (storage/transport)	-40 °C ... 80 °C
Permissible humidity (operation)	10 % ... 95 % (non-condensing)

Approvals

CE

Certificate	CE-compliant
Note	and EN 61326

ATEX

Identification	⊕ II (1) G [Ex ia Ga] IIC
	⊕ II (1) D [Ex ia Da] IIIC
	⊕ II 3 (1) G Ex nA [ia Ga] IIC T4 Gc

Safety Integrity Level (SIL, IEC 61508)

Identification	2
----------------	---

EAC Ex

Identification	ERC [Ex ia Ga] IIC
Certificate	RU C-DE.AB72.B.00097/19

Standards and regulations

Electrical isolation	3-way isolation
----------------------	-----------------

PI-EX-RPSS - Repeater power supply

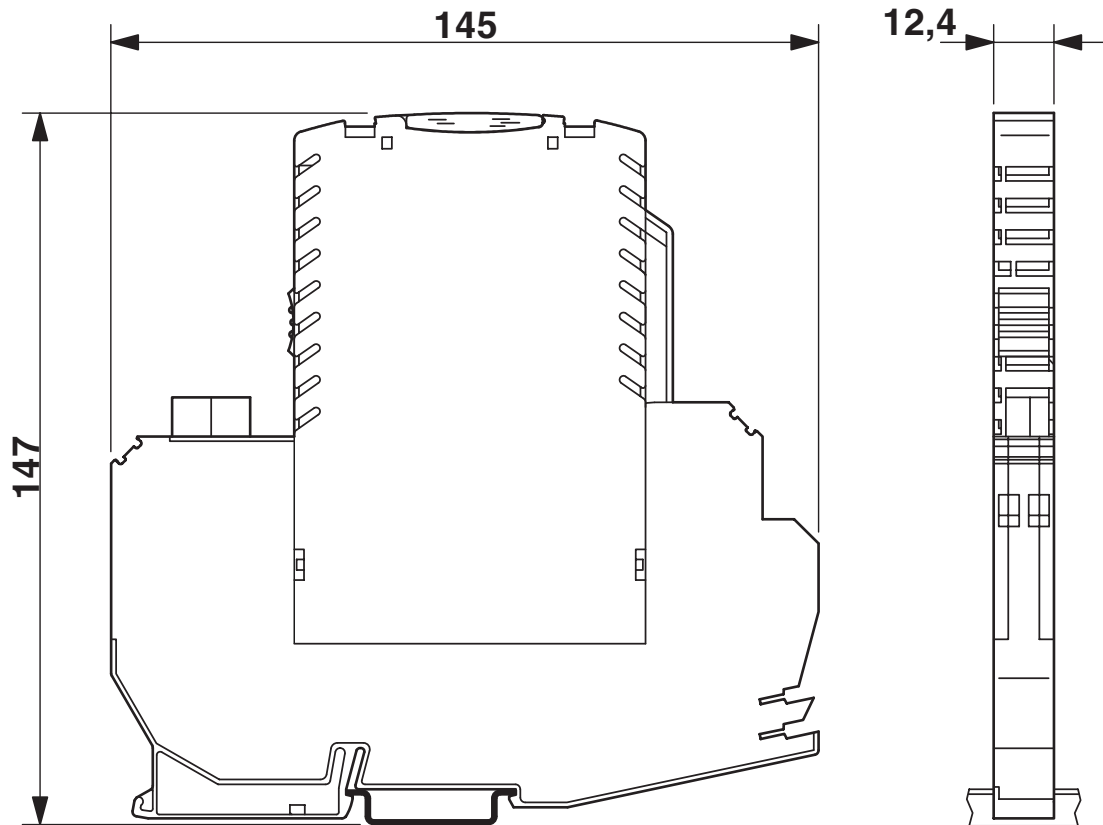
2865243

<https://www.phoenixcontact.com/us/products/2865243>



Drawings

Dimensional drawing

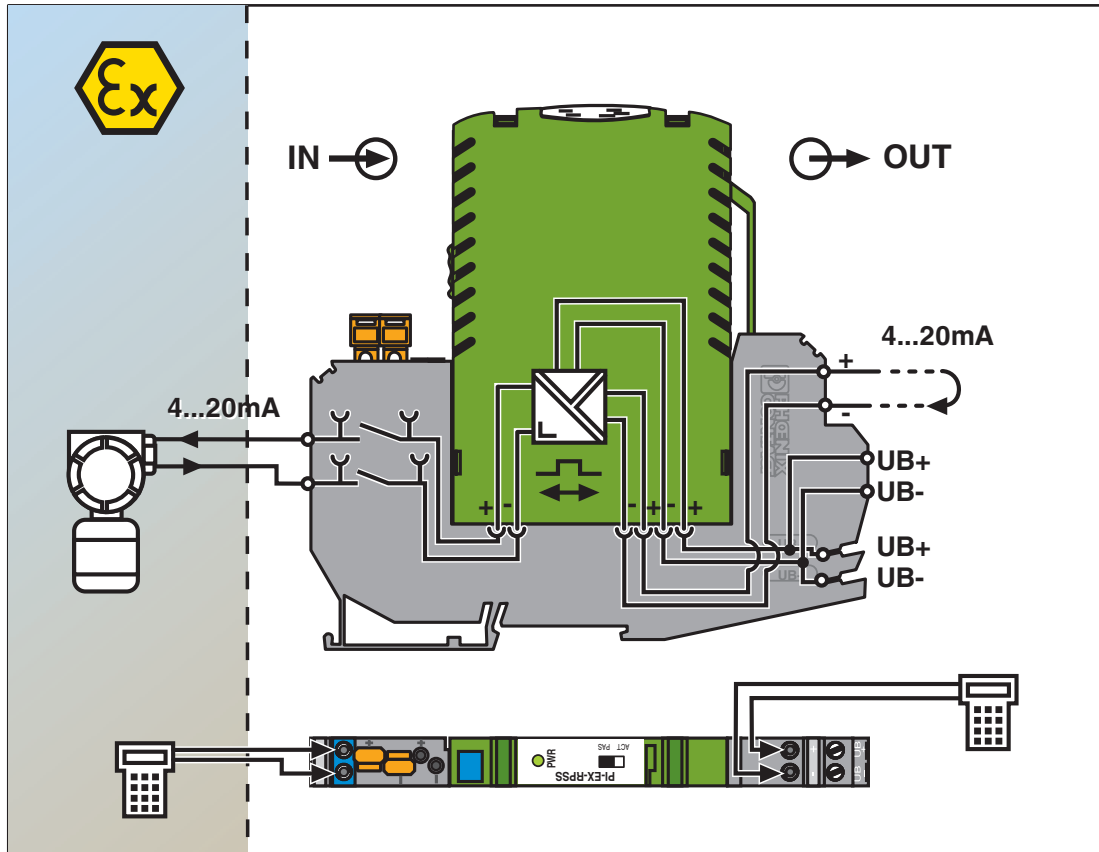


PI-EX-RPSS - Repeater power supply

2865243

<https://www.phoenixcontact.com/us/products/2865243>

Block diagram



PI-EX-RPSS - Repeater power supply



2865243

<https://www.phoenixcontact.com/us/products/2865243>

Classifications

ECLASS

ECLASS-11.0	27210120
ECLASS-12.0	27210120

ETIM

ETIM 8.0	EC002653
----------	----------

UNSPSC

UNSPSC 21.0	39121000
-------------	----------

PI-EX-RPSS - Repeater power supply



2865243

<https://www.phoenixcontact.com/us/products/2865243>

Environmental product compliance

REACH SVHC	Lead 7439-92-1
China RoHS	Environmentally Friendly Use Period = 50 years
	For information on hazardous substances, refer to the manufacturer's declaration available under "Downloads"

PI-EX-RPSS - Repeater power supply

2865243

<https://www.phoenixcontact.com/us/products/2865243>



Accessories

TT-PI-EX-TB - Surge protection device

2858386

<https://www.phoenixcontact.com/us/products/2858386>



Intrinsically safe basic terminal block with isolating plugs, test pick-offs, and surge protection, for mounting on NS 35/7,5

PI-EX-ES-1/3 - Basic terminal block

2835325

<https://www.phoenixcontact.com/us/products/2835325>



Ex basic terminal block, with three terminal points to the field level (Ex area)

Phoenix Contact 2024 © - all rights reserved

<https://www.phoenixcontact.com>

Phoenix Contact USA
586 Fulling Mill Road
Middletown, PA 17057, United States
(+717) 944-1300
info@phoenixcon.com