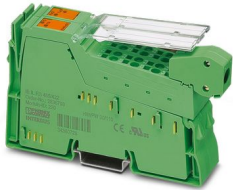


2863627

<https://www.phoenixcontact.com/it/products/2863627>

Please be informed that the data shown in this PDF document is generated from our online catalog. Please find the complete data in the user documentation. Our general terms of use for downloads are valid.



Inline, Communication terminal, interface RS-485, RS-422: 1 (be operated simultaneously), transmission speed in the local bus: 500 kbps, degree of protection: IP20, including Inline connectors and marking fields

## Product description

The terminal is designed for use within an Inline station. The terminal can be used to operate standard I/O devices with serial interfaces on a bus system.

## Your advantages

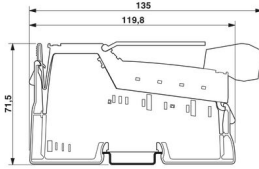
- 1 serial input and output channel as RS-485 or RS-422 version
- Various protocols supported
- Transmission speed can be set up to 38400 bps
- Number of data bits, stop bits and parity can be set
- 4 kbyte receive buffer and 1 kbyte transmit buffer
- Parameterization and data exchange via process data

## Commercial data

Item number	2863627
Packing unit	1 pc
Minimum order quantity	1 pc
Sales key	DRI
Product key	DRI151
Catalog page	Page 207 (C-8-2015)
GTIN	4017918946920
Weight per piece (including packing)	168.6 g
Weight per piece (excluding packing)	135 g
Customs tariff number	85389091
Country of origin	DE

## Technical data

### Dimensions

Dimensional drawing	
Width	24.4 mm
Height	135 mm
Depth	71.5 mm

### Notes

#### Utilization restriction

CCCex note	Use in potentially explosive areas is not permitted in China.
------------	---------------------------------------------------------------

### Interfaces

#### Inline local bus

Number of interfaces	2
Connection method	Inline data jumper
Transmission speed	500 kbps

#### RS-485, RS-422

Number of interfaces	1 (be operated simultaneously)
Connection method	Spring-cage connection
Note on the connection method	Use shielded cables.
Transmission speed	110 bps ... 38400 bps (can be parameterized)
Transmission physics	Copper
Protocols supported	Transparent, end-to-end, XON/XOFF, dual buffer, 3964R, Movilink
Termination resistor	typ. 120 Ω (active, integrated)
Data bits	7 or 8
Stop bits	1 or 2
Input buffer	4 kByte
Output buffer	1 kByte

### System properties

#### Module

ID code (dec.)	191
ID code (hex)	BF
Length code (hex)	06
Length code (dec)	06

# IB IL RS 485/422-PRO-PAC - Communication module



2863627

<https://www.phoenixcontact.com/it/products/2863627>

Process data channel	96 bit
Input address area	12 Byte
Output address area	12 Byte
Register length	96 bit
Required parameter data	1 Byte
Required configuration data	5 Byte

## Product properties

Type	modular
Product type	I/O component
Product family	Inline
Scope of delivery	including Inline connectors and marking fields
Operating mode	Process data mode with 6 words

## Insulation characteristics

Overvoltage category	II (IEC 60664-1, EN 60664-1)
Pollution degree	2 (IEC 60664-1, EN 60664-1)

## Electrical properties

Maximum power dissipation for nominal condition	max. 2 W
-------------------------------------------------	----------

## Potentials

Power consumption	max. 2 W (at $U_L$ , within the permissible operating temperature)
-------------------	--------------------------------------------------------------------

## Potentials: Communications power ( $U_L$ )

Supply voltage	7.5 V DC (via voltage jumper)
Current draw	max. 260 mA (all connections of the serial interface are short-circuited) typ. 170 mA
Power consumption	typ. 1.275 W

## Electrical isolation/isolation of the voltage ranges

Test voltage: RS-485/422 interface / 7.5 V supply (bus logics)	500 V AC, 50 Hz, 1 min.
Test voltage: RS-485/422 interface / 24 V supply (I/O)	500 V AC, 50 Hz, 1 min.
Test voltage: RS-485/422 interface/functional ground	500 V AC, 50 Hz, 1 min.
Test voltage: 7.5 V supply (bus logics)/24 V supply (I/O)	500 V AC, 50 Hz, 1 min.
Test voltage: 7.5 V supply (bus logic)/functional ground	500 V AC, 50 Hz, 1 min.
Test voltage: 24 V supply (I/O) / functional ground	500 V AC, 50 Hz, 1 min.

## Connection data

### Connection technology

Connection name	Inline connector
-----------------	------------------

### Conductor connection

Connection method	Spring-cage connection
Conductor cross section rigid	0.08 mm <sup>2</sup> ... 1.5 mm <sup>2</sup>

2863627

<https://www.phoenixcontact.com/it/products/2863627>

Conductor cross section flexible	0.08 mm <sup>2</sup> ... 1.5 mm <sup>2</sup>
Conductor cross section AWG	28 ... 16
Stripping length	8 mm

#### Inline connector

Connection method	Spring-cage connection
Conductor cross section, rigid	0.08 mm <sup>2</sup> ... 1.5 mm <sup>2</sup>
Conductor cross section, flexible	0.08 mm <sup>2</sup> ... 1.5 mm <sup>2</sup>
Conductor cross section AWG	28 ... 16
Stripping length	8 mm

### Environmental and real-life conditions

#### Ambient conditions

Ambient temperature (operation)	-25 °C ... 55 °C
Degree of protection	IP20
Air pressure (operation)	70 kPa ... 106 kPa (up to 3000 m above sea level)
Air pressure (storage/transport)	70 kPa ... 106 kPa (up to 3000 m above sea level)
Ambient temperature (storage/transport)	-25 °C ... 85 °C
Permissible humidity (operation)	10 % ... 95 % (non-condensing)
Permissible humidity (storage/transport)	10 % ... 95 % (non-condensing)

### Standards and regulations

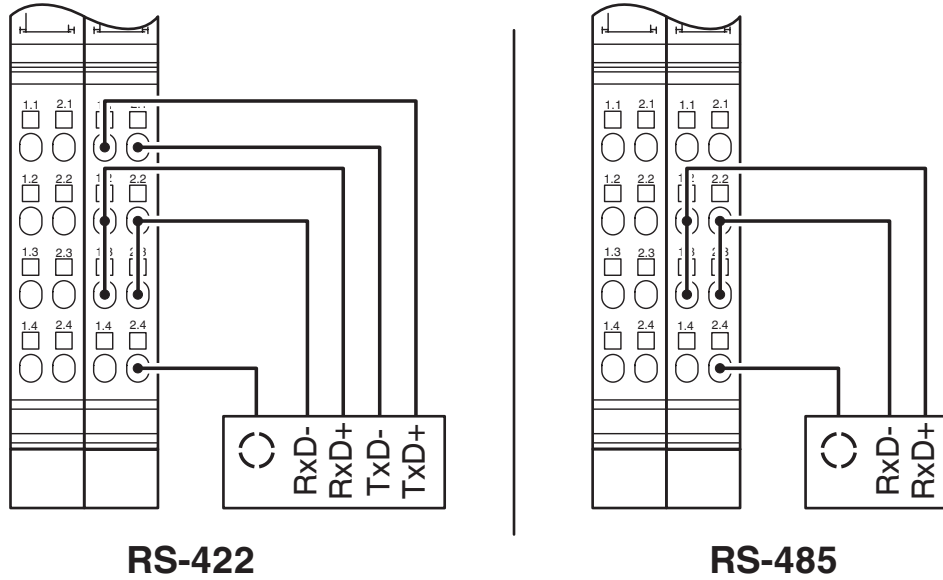
Protection class	III (IEC 61140, EN 61140, VDE 0140-1)
------------------	---------------------------------------

### Mounting

Mounting type	DIN rail mounting
---------------	-------------------

## Drawings

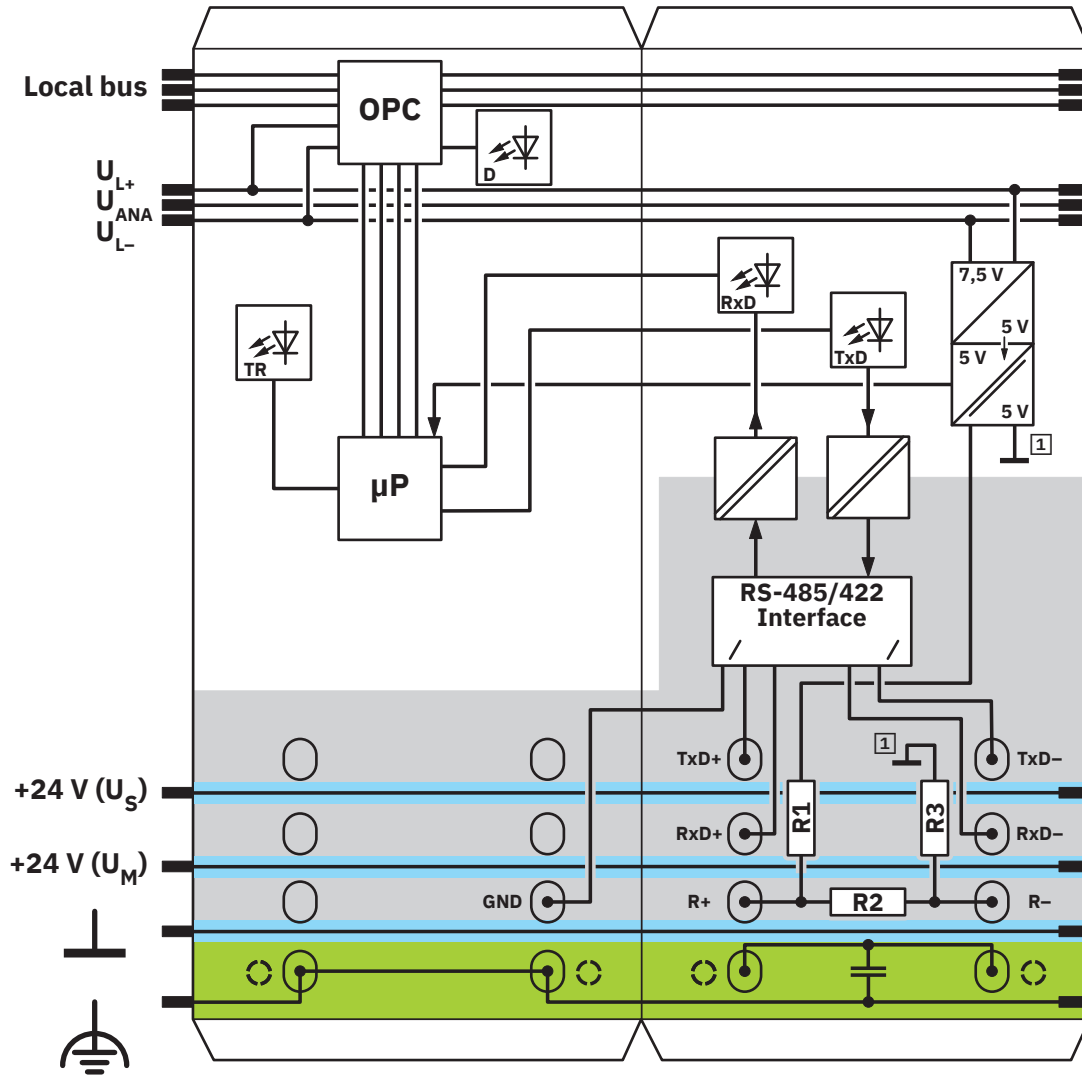
Connection diagram



2863627

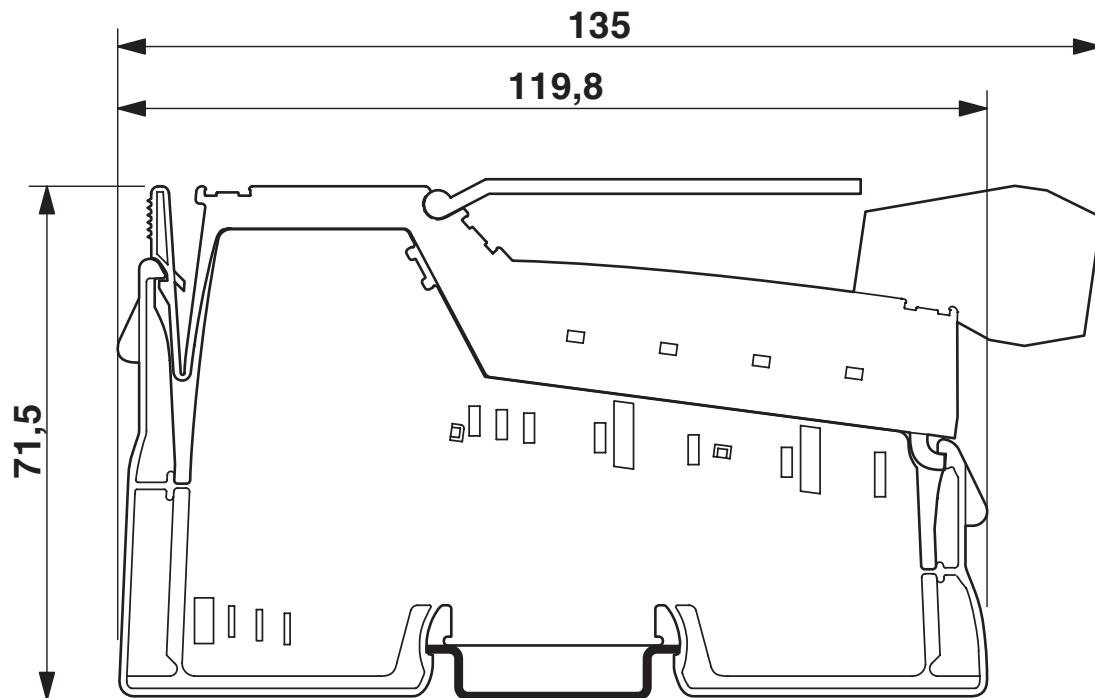
<https://www.phoenixcontact.com/it/products/2863627>

Block diagram



Internal wiring of the terminal points

Dimensional drawing



Dimensions

2863627

<https://www.phoenixcontact.com/it/products/2863627>

## Approvals

To download certificates, visit the product detail page: <https://www.phoenixcontact.com/it/products/2863627>



**cUL Recognized**  
Approval ID: FILE E 140324



**UL Recognized**  
Approval ID: FILE E 140324



**DNV GL**  
Approval ID: TAA00001KV



**LR**  
Approval ID: LR22191720TA



**BV**  
Approval ID: 21595/C0 BV

**BSH**

Approval ID: 658a



**RINA**  
Approval ID: ELE121121XG

**ABS**

Approval ID: 22-2226444-PDA



**EAC**  
Approval ID: TR\_TS\_D\_01831-19

**UAE-RoHS**

Approval ID: 22-04-13089



**cUL Listed**  
Approval ID: FILE E 199827



# IB IL RS 485/422-PRO-PAC - Communication module



2863627

<https://www.phoenixcontact.com/it/products/2863627>



**UL Listed**

Approval ID: FILE E 199827

**cULus Recognized**

**cULus Listed**

2863627

<https://www.phoenixcontact.com/it/products/2863627>

## Classifications

### ECLASS

ECLASS-11.0	27242605
ECLASS-12.0	27242605
ECLASS-13.0	27242608

### ETIM

ETIM 9.0	EC001601
----------	----------

### UNSPSC

UNSPSC 21.0	32151600
-------------	----------

# IB IL RS 485/422-PRO-PAC - Communication module



2863627

<https://www.phoenixcontact.com/lt/products/2863627>

## Environmental product compliance

REACH SVHC

Lead 7439-92-1

Phoenix Contact 2024 © - all rights reserved

<https://www.phoenixcontact.com>

Phoenix Contact UAB

Svitrigailos str. 11B

03228 Vilnius

+370 5 2106321

[balticinfo@phoenixcontact.com](mailto:balticinfo@phoenixcontact.com)