

FLT-CP-2S-350 - Type 1+2 special combined lightning current and surge arrester



2859767

<https://www.phoenixcontact.com/us/products/2859767>

Please be informed that the data shown in this PDF document is generated from our online catalog. Please find the complete data in the user documentation. Our general terms of use for downloads are valid.



Pluggable lightning current and surge arrester combination, in acc. with typ 1+2 / Class I+II / B+C arresters. Arresters coordinated following the AEC principle, for 2-phase power supply networks with separately installed PE and N (L1, L2, PE, N).

Commercial data

Item number	2859767
Packing unit	1 pc
Note	Made to order (non-returnable)
Sales key	CL01
Product key	CL1211
Catalog page	Page 37 (C-6-2013)
GTIN	4017918956486
Weight per piece (including packing)	1,175.2 g
Weight per piece (excluding packing)	1,110.82 g
Customs tariff number	85363030
Country of origin	DE

FLT-CP-2S-350 - Type 1+2 special combined lightning current and surge arrester



2859767

<https://www.phoenixcontact.com/us/products/2859767>

Technical data

Product properties

IEC test classification	I + II
	T1 + T2
EN type	T1 + T2
IEC power supply system	TN-S
	TT
Type	DIN rail module, two-section, divisible
Product type	Arrester combination
Number of positions	3
Surge protection fault message	Optical, remote indicator contact
Arrester can be tested with CHECKMASTER from software version:	From SW rev. 3.00

Insulation characteristics

Overvoltage category	III
Pollution degree	2

Electrical properties

Nominal frequency f_N	50 Hz (60 Hz)
-------------------------	---------------

Indicator/remote signaling

Connection name	Remote fault indicator contact
Switching function	Changeover contact
Operating voltage	12 V AC ... 250 V AC
	125 V DC (200 mA DC)
Operating current	10 mA AC ... 1 A AC
	1 A DC (30 V DC)

Connection data

Connection method	Screw terminal blocks
Screw thread	M5
Tightening torque	4.5 Nm
Stripping length	18 mm
Conductor cross section flexible	2.5 mm ² ... 25 mm ²
Conductor cross section rigid	2.5 mm ² ... 35 mm ²
Conductor cross section AWG	13 ... 2

Remote fault indicator contact

Connection method	Plug-in/screw connection via COMBICON
Screw thread	M2
Tightening torque	0.25 Nm
Stripping length	7 mm

FLT-CP-2S-350 - Type 1+2 special combined lightning current and surge arrester



2859767

<https://www.phoenixcontact.com/us/products/2859767>

Conductor cross section flexible	0.14 mm ² ... 1.5 mm ²
Conductor cross section rigid	0.14 mm ² ... 1.5 mm ²
Conductor cross section AWG	28 ... 16

Dimensions

Dimensional drawing	
Width	106.8 mm
Height	95 mm
Depth	71.5 mm
Horizontal pitch	6 Div.

Material specifications

Flammability rating according to UL 94	V-0
CTI value of material	600
Insulating material	PA 6.6/PBT
Material group	I
Housing material	PBT

Mechanical properties

Mechanical data

Open side panel	No
-----------------	----

Protective circuit

Mode of protection	L-N
	L-PE
	N-PE
Direction of action	2L-N & N-PE
Nominal voltage U_N	240/415 V AC (TN-S)
	240/415 V AC (TT)
Nominal frequency f_N	50 Hz (60 Hz)
Maximum continuous operating voltage U_C (L-N)	350 V AC
Maximum continuous operating voltage U_C (N-PE)	350 V AC
Rated load current I_L	125 A (< 55 °C)
Residual current I_{PE}	≤ 0.01 mA
Nominal discharge current I_n (8/20) μs (L-N)	25 kA
Nominal discharge current I_n (8/20) μs (L-PE)	25 kA
Nominal discharge current I_n (8/20) μs (N-PE)	100 kA
Impulse discharge current (10/350) μs (L-N), charge	12.5 As

FLT-CP-2S-350 - Type 1+2 special combined lightning current and surge arrester



2859767

<https://www.phoenixcontact.com/us/products/2859767>

Impulse discharge current (10/350) μs (L-N), specific energy	160 kJ/ Ω
Impulse discharge current (10/350) μs (L-N), peak current value I_{imp}	25 kA
Impulse discharge current (10/350) μs (L-PE), charge	12.5 As
Impulse discharge current (10/350) μs (L-PE), specific energy	160 kJ/ Ω
Impulse discharge current (10/350) μs (L-PE), peak current value I_{imp}	25 kA
Impulse discharge current (10/350) μs (N-PE), charge	50 As
Impulse discharge current (10/350) μs (N-PE), specific energy	2500 kJ/ Ω
Impulse discharge current (10/350) μs (N-PE), peak current value I_{imp}	100 kA
Follow current quenching capacity I_{fi} (L-N)	25 kA (264 V AC)
	3 kA (350 V AC)
Follow current interrupt rating I_{fi} (N-PE)	100 A (350 V AC)
Short-circuit current rating I_{SCCR}	25 kA (264 V AC)
	3 kA (350 V AC)
Voltage protection level U_{p} (L-N)	≤ 1.5 kV
Voltage protection level U_{p} (L-PE)	≤ 2.2 kV
Voltage protection level U_{p} (N-PE)	≤ 1.5 kV
Residual voltage U_{res} (L-N)	≤ 1.5 kV (at I_{n})
	≤ 1.2 kV (at 10 kA)
	≤ 1 kV (at 5 kA)
	≤ 0.9 kV (at 3 kA)
Residual voltage U_{res} (L-PE)	≤ 2.2 kV (at I_{n})
	≤ 2 kV (at 10 kA)
	≤ 1.8 kV (at 5 kA)
	≤ 1.6 kV (at 3 kA)
Residual voltage U_{res} (N-PE)	≤ 1.5 kV (at I_{n})
	≤ 1 kV (at 10 kA)
	≤ 0.9 kV (at 5 kA)
	≤ 0.8 kV (at 3 kA)
TOV behavior at U_{T} (L-N)	415 V AC (5 s / withstand mode)
	457 V AC (120 min / safe failure mode)
TOV behavior at U_{T} (N-PE)	1200 V AC (200 ms / withstand mode)
Response time t_{A} (L-N)	≤ 25 ns
Response time t_{A} (N-PE)	≤ 100 ns
Max. backup fuse with V-type through wiring	125 A (gG)
Max. backup fuse with branch wiring	315 A (gG)

Environmental and real-life conditions

Ambient conditions

Degree of protection	IP20 (only when all terminal points are used)
Ambient temperature (operation)	-40 °C ... 80 °C

FLT-CP-2S-350 - Type 1+2 special combined lightning current and surge arrester



2859767

<https://www.phoenixcontact.com/us/products/2859767>

Ambient temperature (storage/transport)	-40 °C ... 80 °C
Altitude	≤ 2000 m (amsl)
Permissible humidity (operation)	5 % ... 95 %
Shock (operation)	25g (Half-sine / 11 ms / 3x ±X, ±Y, ±Z)
Vibration (operation)	5g (5 - 500 Hz/2.5 h/X, Y, Z)

Approvals

UL specifications

Maximum continuous operating voltage MCOV (L-L)	528 V AC
Maximum continuous operating voltage MCOV (L-N)	264 V AC
Maximum continuous operating voltage MCOV (L-G)	528 V AC
Maximum continuous operating voltage MCOV (N-G)	264 V AC
Nominal discharge current I_n (L-L)	20 kA
Nominal discharge current I_n (L-N)	20 kA
Nominal discharge current I_n (L-G)	20 kA
Nominal discharge current I_n (N-G)	20 kA
Mode of protection	L-L L-N L-G N-G
Nominal voltage	240/415 V AC
Power distribution system	Wye
Nominal frequency	50/60 Hz
Measured limiting voltage MLV (L-L)	2470 V
Measured limiting voltage MLV (L-N)	1340 V
Measured limiting voltage MLV (L-G)	1550 V
Measured limiting voltage MLV (N-G)	1080 V
Follow current (L-N)	10 kA (264 V AC)
Follow current (L-G)	200 A (264 V AC)
SPD Type	4CA

UL indicator/remote signaling

Operating voltage	125 V AC
AC operating current	1 A AC

UL connection data

Tightening torque	40 lb _f -in.
Conductor cross section AWG	12 ... 2

Standards and regulations

Air clearances and creepage distances

Standards/regulations	DIN VDE 0110-1 / IEC 60664-1 / IEC 61643-1
Standards/specifications	IEC 61643-11

FLT-CP-2S-350 - Type 1+2 special combined lightning current and surge arrester



2859767

<https://www.phoenixcontact.com/us/products/2859767>

Note	2011
Standards/specifications	EN 61643-11
Note	2012

Mounting

Mounting type	DIN rail: 35 mm
---------------	-----------------

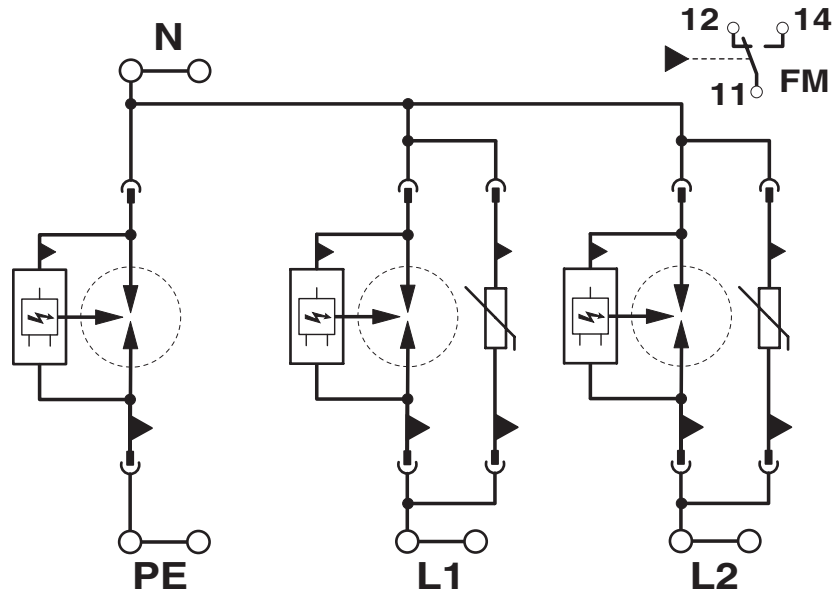
FLT-CP-2S-350 - Type 1+2 special combined lightning current and surge arrester

2859767

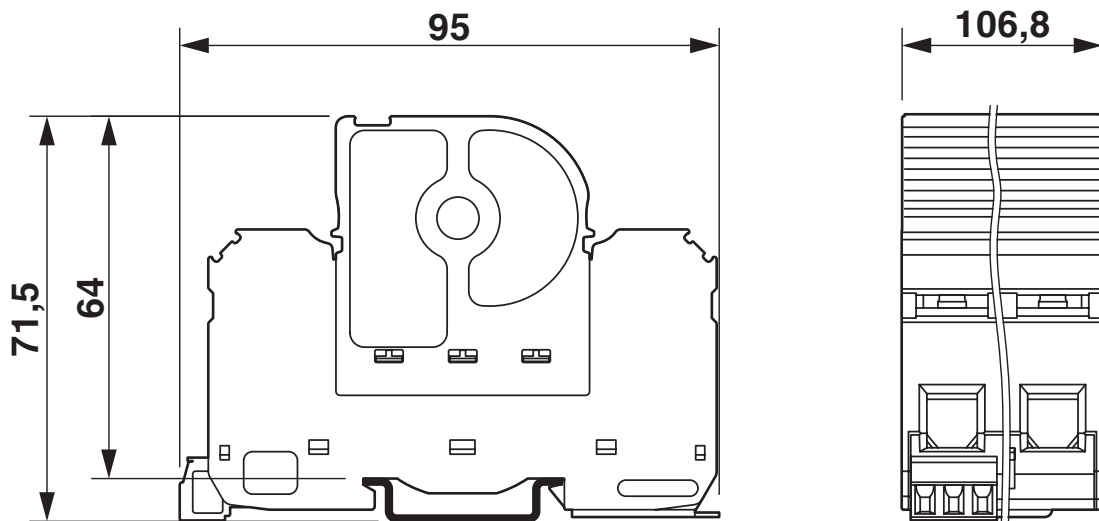
<https://www.phoenixcontact.com/us/products/2859767>

Drawings

Circuit diagram



Dimensional drawing



FLT-CP-2S-350 - Type 1+2 special combined lightning current and surge arrester



2859767

<https://www.phoenixcontact.com/us/products/2859767>

Environmental product compliance

China RoHS	Environmentally Friendly Use Period = 50 years
	For information on hazardous substances, refer to the manufacturer's declaration available under "Downloads"

Phoenix Contact 2024 © - all rights reserved
<https://www.phoenixcontact.com>

Phoenix Contact USA
586 Fulling Mill Road
Middletown, PA 17057, United States
(+717) 944-1300
info@phoenixcon.com