

# PR1-RSC3-LV-120AC/2X21AU - Relay Module



2834546

<https://www.phoenixcontact.com/ae/products/2834546>

Please be informed that the data shown in this PDF document is generated from our online catalog. Please find the complete data in the user documentation. Our general terms of use for downloads are valid.



Pre-assembled relay modules with screw connection, consisting of: relay base, multi-layer contact relay, plug-in display/interference suppression module, and retaining bracket. Input voltage: 120 V AC, 2 changeover contacts, 8 A

## Your advantages

- Safe isolation between coil and contact side
- Logical contact arrangement thanks to 1/3-level relay base
- Operational reliability thanks to sealed relay

## Commercial data

Item number	2834546
Packing unit	5 pc
Minimum order quantity	5 pc
Note	Made to order (non-returnable)
Sales key	CK63
Product key	CK631G
Catalog page	Page 395 (C-7-2015)
GTIN	4046356044431
Weight per piece (including packing)	70.65 g
Weight per piece (excluding packing)	65.44 g
Customs tariff number	85364900
Country of origin	CN

# PR1-RSC3-LV-120AC/2X21AU - Relay Module



2834546

<https://www.phoenixcontact.com/ae/products/2834546>

## Set consists of

### PR1-BSC3/2X21 - Relay base

2833521

<https://www.phoenixcontact.com/ae/products/2833521>



PR1... relay base, for miniature power relays or miniature switching relays with 1 or 2 changeover contacts or solid-state relays of the same design, 1/3-level version, screw connections, plug-in option for input/interference suppression modules

---

### REL-MR-120AC/21-21AU - Single relay

2961477

<https://www.phoenixcontact.com/ae/products/2961477>



Plug-in miniature power relay, with multi-layer gold contact, 2 changeover contacts, input voltage 120 V AC

# PR1-RSC3-LV-120AC/2X21AU - Relay Module



2834546

<https://www.phoenixcontact.com/ae/products/2834546>

## LV-120-230AC/110DC - Plug-in module

2833738

<https://www.phoenixcontact.com/ae/products/2833738>



Plug-in module, with varistor and yellow LED, input voltage: 120 ... 230 V AC / 110 V DC  $\pm$ 20 %

---

## EL1-P16 - Retaining bracket

2833547

<https://www.phoenixcontact.com/ae/products/2833547>



Relay retaining bracket, with eject function and integrated equipment marking area (7.5 x 15 mm), to suit relay base PR1, for 16 mm high miniature power relay and solid-state relay

# PR1-RSC3-LV-120AC/2X21AU - Relay Module



2834546

<https://www.phoenixcontact.com/ae/products/2834546>

## MP 1 - Marker labels

2833631

<https://www.phoenixcontact.com/ae/products/2833631>

Equipment marker, labeling surface 6 x 15 mm



# PR1-RSC3-LV-120AC/2X21AU - Relay Module



2834546

<https://www.phoenixcontact.com/ae/products/2834546>

## Technical data

### Product properties

Product type	Relay Module
Application	Universal
Operating mode	100% operating factor
Mechanical service life	3x 10 <sup>7</sup> cycles

### Data management status

Date of last data management	21.05.2024
------------------------------	------------

### Insulation characteristics

Overvoltage category	III
Pollution degree	3

### Electrical properties

Service life electrical	see diagram
Maximum power dissipation for nominal condition	1.08 W
Test voltage (Winding/contact)	4 kV (50 Hz, 1 min., winding/contact)
Test voltage (Contact/contact)	2.5 kV (50 Hz, 1 min., contact/contact)

### Input data

#### Coil side

Nominal input voltage U <sub>N</sub>	120 V AC
Input voltage range	93.6 V AC ... 186 V AC
Drive and function	monostable
Typical input current at U <sub>N</sub>	9 mA (at 50 Hz) 7 mA (At 60 Hz)
Typical response time	3 ms ... 12 ms
Typical release time range	1.5 ms ... 16 ms
Protective circuit	Varistor
Operating voltage display	Yellow LED

### Output data

#### Switching

Contact switching type	2 changeover contacts
Type of switch contact	Single contact
Contact material	AgNi, hard gold-plated
Maximum switching voltage	30 V AC 36 V DC
Minimum switching voltage	100 mV (at 10 mA)
Limiting continuous current	50 mA
Maximum inrush current	50 mA

# PR1-RSC3-LV-120AC/2X21AU - Relay Module



2834546

<https://www.phoenixcontact.com/ae/products/2834546>

Min. switching current	1 mA (at 24 V)
Interrupting rating (ohmic load) max.	1.2 W (at 24 V DC)

Switching: when the gold layer is destroyed

Note	the following values are applicable if a gold layer is destroyed
Contact material	AgNi
Maximum switching voltage	250 V AC/DC
Minimum switching voltage	5 V
Limiting continuous current	8 A
Maximum inrush current	15 A (300 ms)
Min. switching current	10 mA
Interrupting rating (ohmic load) max.	2000 VA (for 250 V AC)
Switching capacity	2 A (at 24 V, DC13)
	0.2 A (at 110 V, DC13)
	0.2 A (at 250 V, DC13)
	2 A (at 24 V, AC15)
	2 A (at 120 V, AC15)
	2 A (at 250 V, AC15)

## Connection data

Coil side

Connection method	Screw connection
Stripping length	8 mm
Screw thread	M3
Conductor cross section rigid	0.14 mm <sup>2</sup> ... 2.5 mm <sup>2</sup>
Conductor cross section flexible	0.14 mm <sup>2</sup> ... 2.5 mm <sup>2</sup>
Conductor cross section AWG	26 ... 14

Contact side

Connection method	Screw connection
Stripping length	8 mm
Screw thread	M3
Conductor cross section rigid	0.14 mm <sup>2</sup> ... 2.5 mm <sup>2</sup>
Conductor cross section flexible	0.14 mm <sup>2</sup> ... 2.5 mm <sup>2</sup>
Conductor cross section AWG	26 ... 14

## Dimensions

Width	16 mm
Height	78.5 mm
Depth	71 mm

## Material specifications

Color	green (RAL 6021)
-------	------------------

# PR1-RSC3-LV-120AC/2X21AU - Relay Module



2834546

<https://www.phoenixcontact.com/ae/products/2834546>

## Environmental and real-life conditions

### Ambient conditions

Ambient temperature (operation)	-25 °C ... 60 °C
Ambient temperature (storage/transport)	-25 °C ... 85 °C

## Standards and regulations

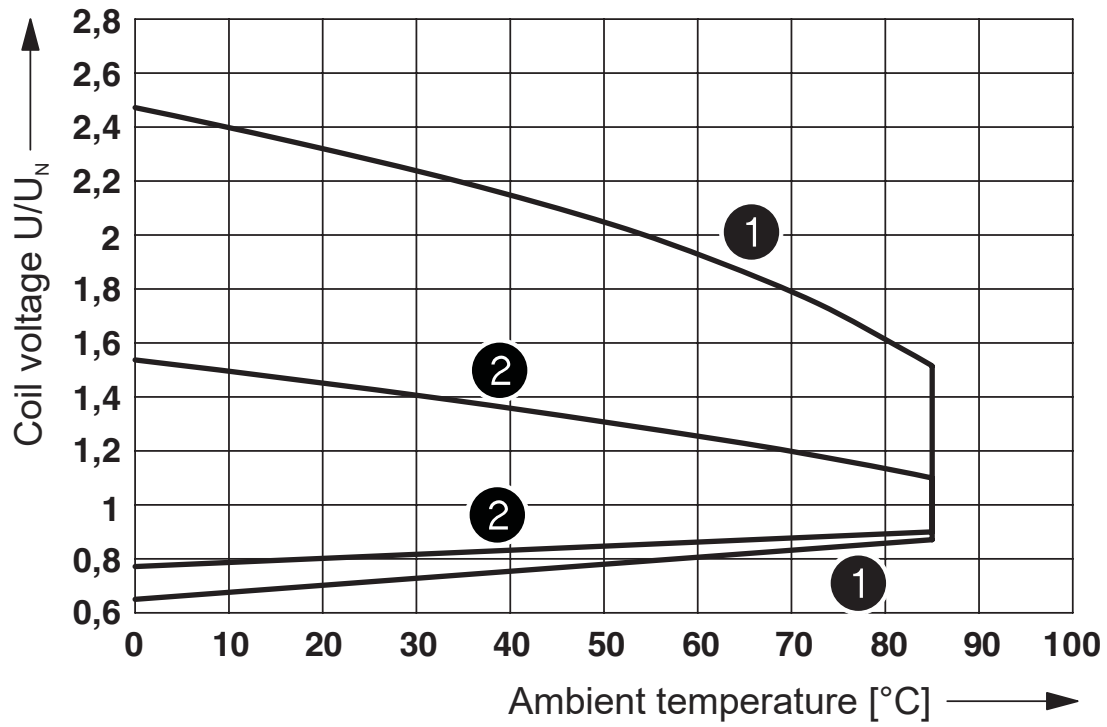
Standards/regulations	IEC 60664
	EN 50178

## Mounting

Mounting type	DIN rail mounting
Assembly note	in rows with zero spacing
Mounting position	any

Drawings

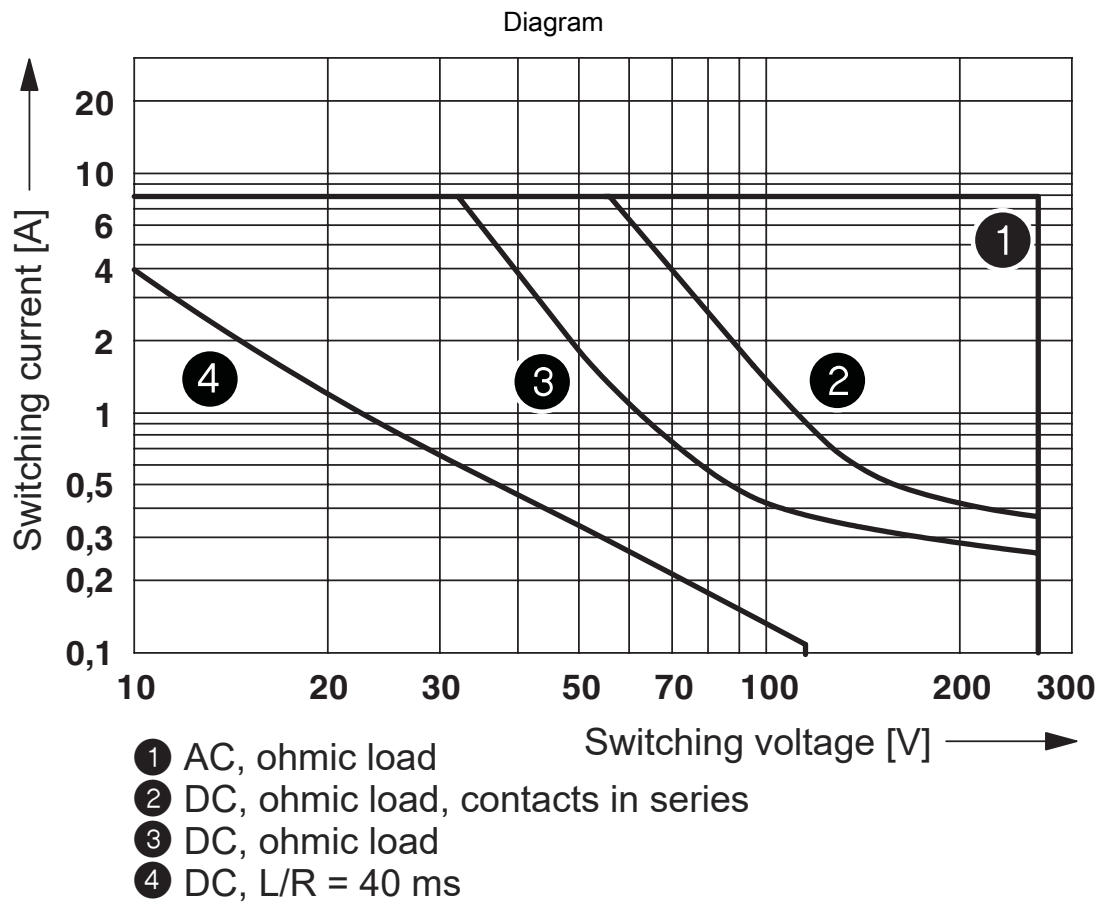
Diagram



- ① DC coils
- ② AC coils

Operating voltage range of the relay





Interrupting rating

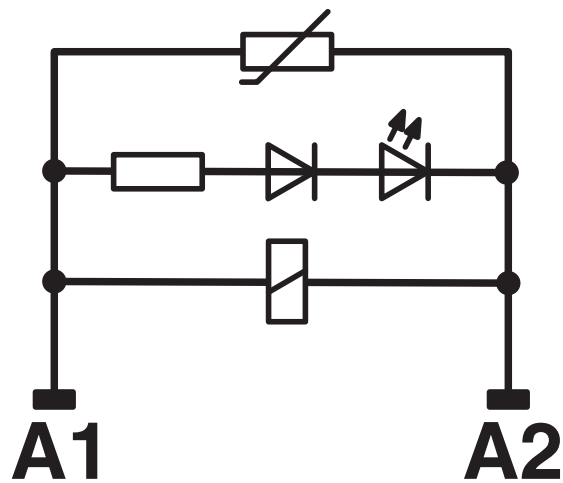
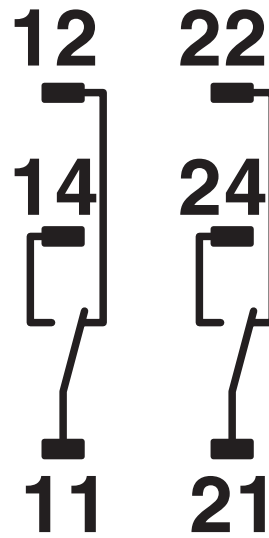
# PR1-RSC3-LV-120AC/2X21AU - Relay Module



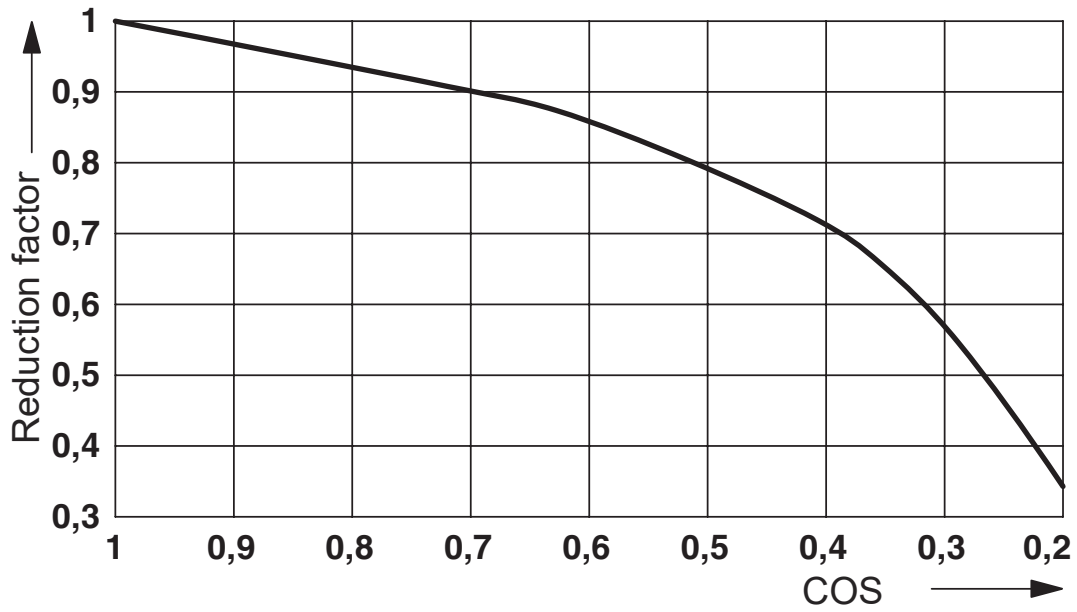
2834546

<https://www.phoenixcontact.com/ae/products/2834546>

Circuit diagram



Diagram

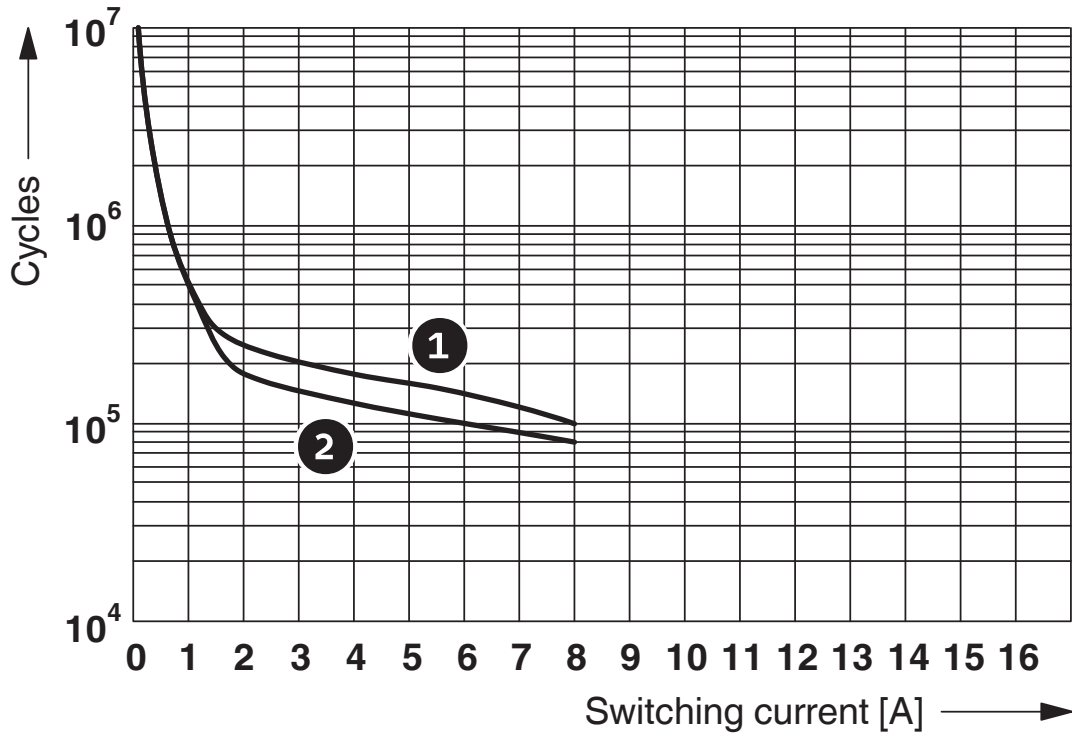


Service life reduction factor with various cos phi

2834546

<https://www.phoenixcontact.com/ae/products/2834546>

Diagram



- ① 250 V AC, ohmic load (DC coils)
- ② 250 V AC, ohmic load (AC coils)

Electrical service life

# PR1-RSC3-LV-120AC/2X21AU - Relay Module



2834546

<https://www.phoenixcontact.com/ae/products/2834546>

## Classifications

### ECLASS

ECLASS-11.0

27371601

### UNSPSC

UNSPSC 21.0

39122334

# PR1-RSC3-LV-120AC/2X21AU - Relay Module



2834546

<https://www.phoenixcontact.com/ae/products/2834546>

## Environmental product compliance

### EU RoHS

Fulfills EU RoHS substance requirements	Yes, No exemptions
---	--------------------

### China RoHS

Environment friendly use period (EFUP)	EFUP-E
	No hazardous substances above the limits

### EU REACH SVHC

REACH candidate substance (CAS No.)	No substance above 0.1 wt%
-------------------------------------	----------------------------

Phoenix Contact 2024 © - all rights reserved  
<https://www.phoenixcontact.com>

PHOENIX CONTACT Middle East FZ LLC  
1201N-1206N, Dubai Science Park Towers – North  
P.O. Box 345002, Dubai, United Arab Emirates  
(+971) 4 437-0324  
[info-me@phoenixcontact.com](mailto:info-me@phoenixcontact.com)