

REL-IR/LDP- 48DC/4X21AU - Single relay



2834106

<https://www.phoenixcontact.com/ae/products/2834106>

Please be informed that the data shown in this PDF document is generated from our online catalog. Please find the complete data in the user documentation. Our general terms of use for downloads are valid.



Plug-in industrial relay with power contacts and additional hard gold plating, 4 changeover contacts, test button, status LED, freewheeling diode, mechanical switching position indicator, polarity: **A1+**, **A2-**, coil voltage: 48 V DC

Commercial data

Item number	2834106
Packing unit	10 pc
Minimum order quantity	10 pc
Note	Made to order (non-returnable)
Sales key	CK61
Product key	CK6193
Catalog page	Page 50 (IF-2007)
GTIN	4017918941673
Weight per piece (including packing)	38.9 g
Weight per piece (excluding packing)	38.9 g
Customs tariff number	85364190
Country of origin	JP

Technical data

Product properties

Product type	Single relay
Operating mode	100% operating factor
Mechanical service life	5x 10 ⁷ cycles

Data management status

Date of last data management	20.04.2023
------------------------------	------------

Insulation characteristics

Overvoltage category	II
Pollution degree	2

Electrical properties

Service life electrical	see diagram
Maximum power dissipation for nominal condition	0.91 W
Test voltage (Winding/contact)	2 kV AC (50 Hz, 1 min., winding/contact)
Test voltage (Contact/contact)	2 kV AC (50 Hz, 1 min., contact/contact)

Input data

Coil side

Nominal input voltage U _N	48 V DC
Input voltage range	37.4 V DC ... 72 V DC
Drive and function	monostable
Typical input current at U _N	19 mA
Typical response time	13 ms
Typical release time	5 ms
Coil resistance	2560 Ω ±15 % (at 20 °C)

Output data

Switching

Contact switching type	4 changeover contacts
Type of switch contact	Single contact
Contact material	AgNi, hard gold-plated
Maximum switching voltage	250 V AC/DC
Minimum switching voltage	1 V
Limiting continuous current	5 A
Maximum inrush current	12 A (15 ms)
Min. switching current	1 mA
Interrupting rating (ohmic load) max.	1250 VA (for 250 V AC)

Connection data

Connection method	Plug-in connection
-------------------	--------------------

REL-IR/LDP- 48DC/4X21AU - Single relay



2834106

<https://www.phoenixcontact.com/ae/products/2834106>

Dimensions

Width	21.5 mm
Height	28 mm
Depth	36 mm

Environmental and real-life conditions

Ambient conditions

Ambient temperature (operation)	-55 °C ... 70 °C
Ambient temperature (storage/transport)	-55 °C ... 70 °C

Standards and regulations

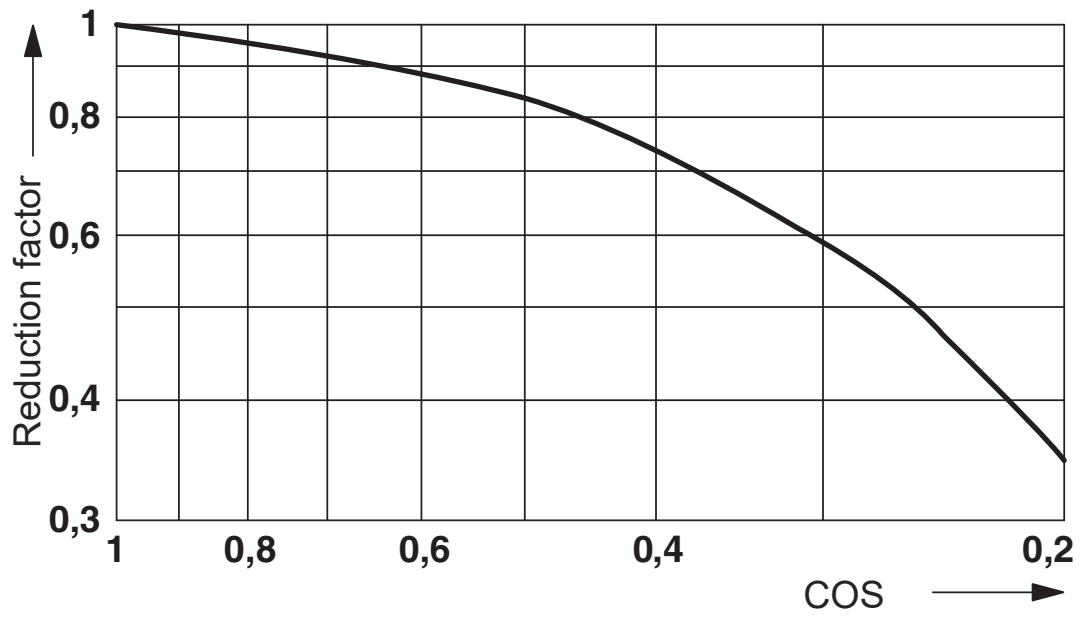
Standards/regulations	DIN EN 61810-1
	VDE 0435-201
	EN 50178

Mounting

Assembly note	On relay base PR2
Mounting position	any

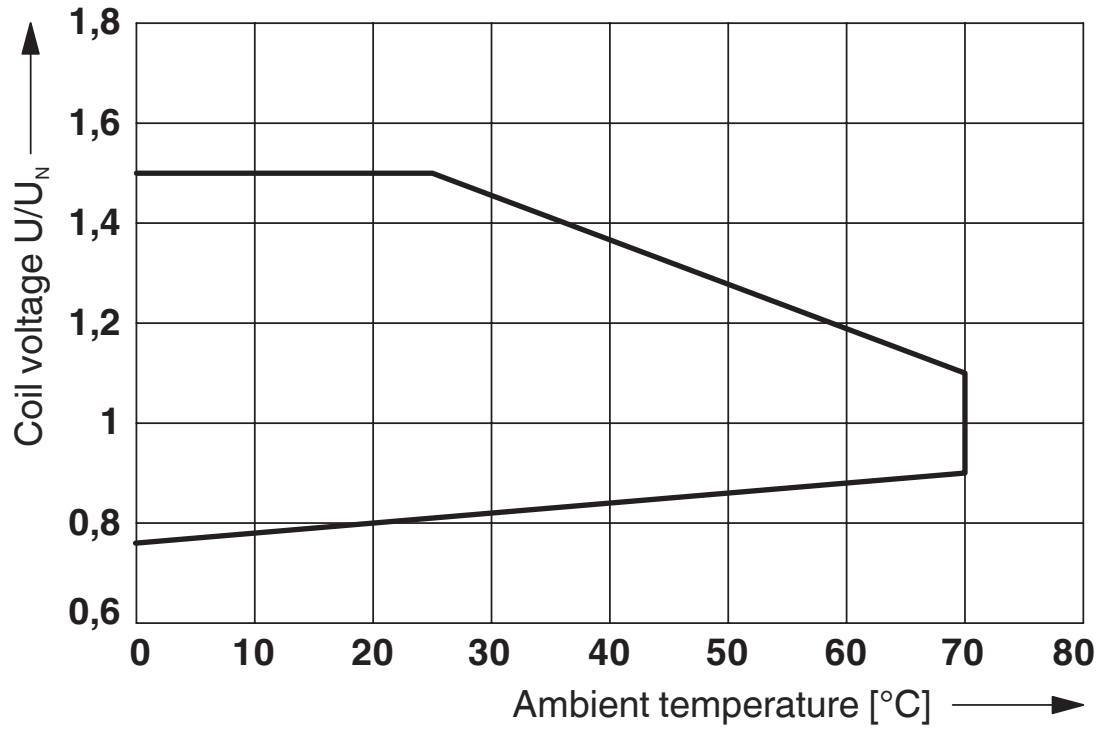
Drawings

Diagram



Service life reduction factor

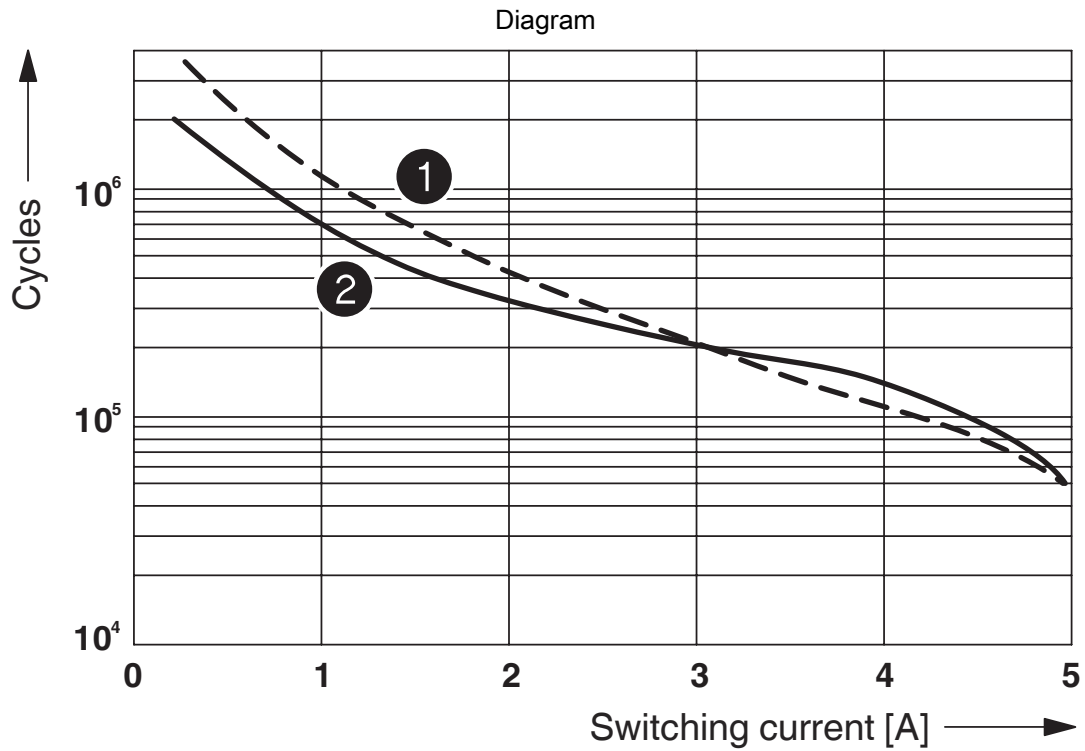
Diagram



Operating voltage range

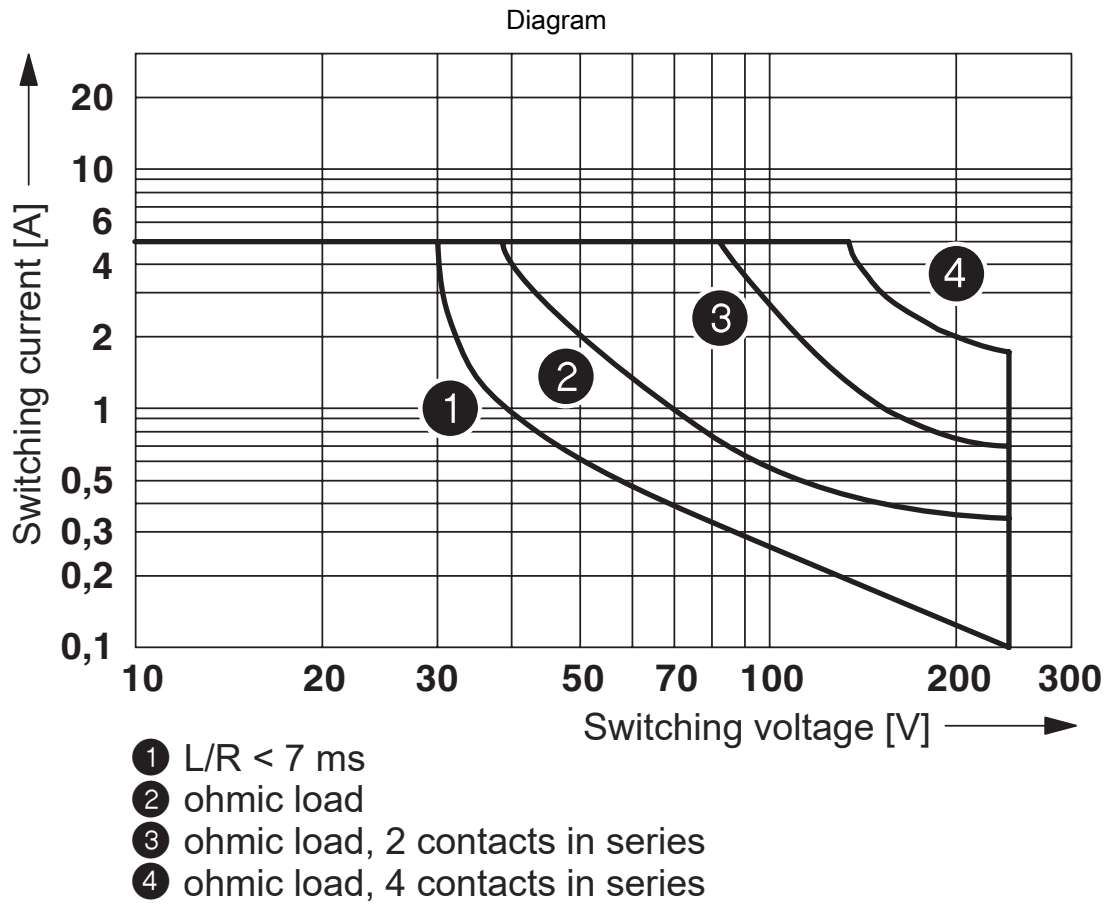
2834106

<https://www.phoenixcontact.com/ae/products/2834106>



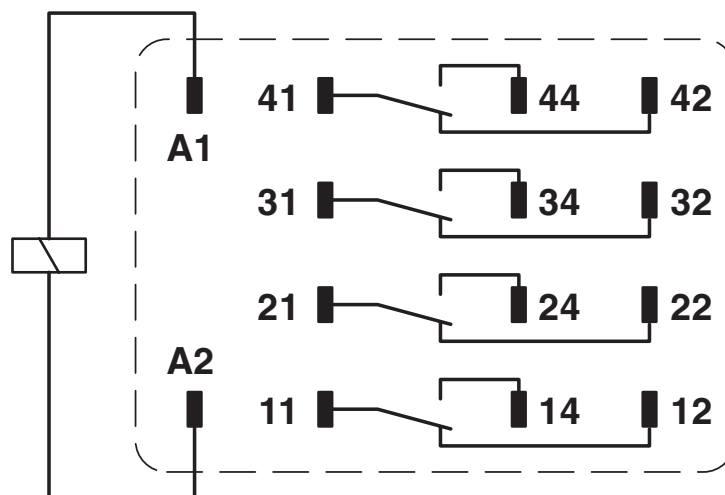
- ① 250 V AC, ohmic load
- ② 30 V DC, ohmic load

Electrical service life



DC interrupting rating

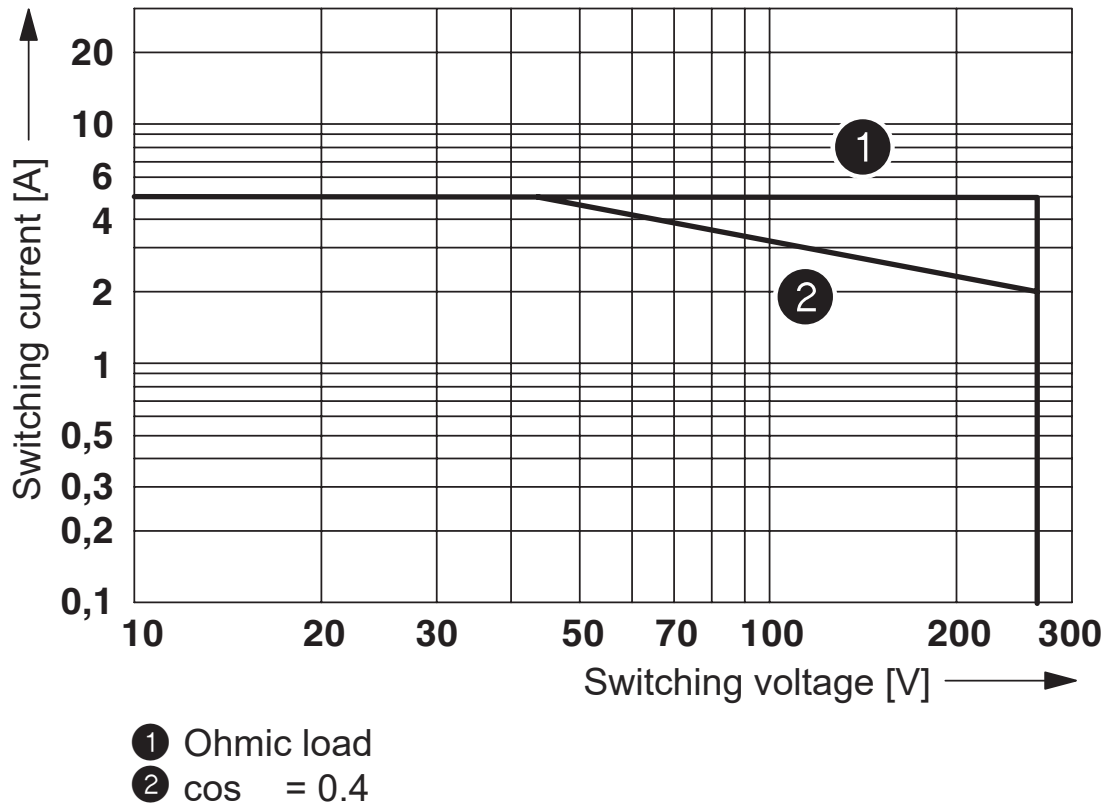
Circuit diagram



2834106

<https://www.phoenixcontact.com/ae/products/2834106>

Diagram



AC interrupting rating

REL-IR/LDP- 48DC/4X21AU - Single relay



2834106

<https://www.phoenixcontact.com/ae/products/2834106>

Classifications

ECLASS

ECLASS-11.0	27371601
-------------	----------

UNSPSC

UNSPSC 21.0	39122334
-------------	----------

REL-IR/LDP- 48DC/4X21AU - Single relay



2834106

<https://www.phoenixcontact.com/ae/products/2834106>

Environmental product compliance

EU RoHS

Fulfills EU RoHS substance requirements	Yes, No exemptions
---	--------------------

China RoHS

Environment friendly use period (EFUP)	EFUP-E
	No hazardous substances above the limits

EU REACH SVHC

REACH candidate substance (CAS No.)	No substance above 0.1 wt%
-------------------------------------	----------------------------

Phoenix Contact 2024 © - all rights reserved
<https://www.phoenixcontact.com>

PHOENIX CONTACT Middle East FZ LLC
1201N-1206N, Dubai Science Park Towers – North
P.O. Box 345002, Dubai, United Arab Emirates
(+971) 4 437-0324
info-me@phoenixcontact.com