

# REL-IR/LDP- 12DC/4X21AU - Single relay



2834083

<https://www.phoenixcontact.com/us/products/2834083>

Please be informed that the data shown in this PDF document is generated from our online catalog. Please find the complete data in the user documentation. Our general terms of use for downloads are valid.



Plug-in industrial relay with power contacts and additional hard gold plating, 4 changeover contacts, test button, status LED, freewheeling diode, mechanical switching position indicator, polarity: **A1+**, **A2-**, coil voltage: 12 V DC

## Your advantages

- With detectable manual operation
- Mechanical switch position indicator
- DC types with integrated freewheeling diode
- Integrated status LED

## Commercial data

|                                      |                                |
|--------------------------------------|--------------------------------|
| Item number                          | 2834083                        |
| Packing unit                         | 1 pc                           |
| Note                                 | Made to order (non-returnable) |
| Sales key                            | C460                           |
| Product key                          | CK6193                         |
| Catalog page                         | Page 386 (C-7-2015)            |
| GTIN                                 | 4017918941659                  |
| Weight per piece (including packing) | 38.5 g                         |
| Weight per piece (excluding packing) | 38.5 g                         |
| Customs tariff number                | 85364190                       |
| Country of origin                    | JP                             |

# REL-IR/LDP- 12DC/4X21AU - Single relay



2834083

<https://www.phoenixcontact.com/us/products/2834083>

## Technical data

### Product properties

|                         |                           |
|-------------------------|---------------------------|
| Product type            | Single relay              |
| Operating mode          | 100% operating factor     |
| Mechanical service life | 5x 10 <sup>7</sup> cycles |

### Insulation characteristics

|                      |    |
|----------------------|----|
| Overvoltage category | II |
| Pollution degree     | 2  |

### Electrical properties

|   |  |
|---|--|
| Service life electrical                         | see diagram                              |
| Maximum power dissipation for nominal condition | 0.9 W                                    |
| Test voltage (Winding/contact)                  | 2 kV AC (50 Hz, 1 min., winding/contact) |
| Test voltage (Contact/contact)                  | 2 kV AC (50 Hz, 1 min., contact/contact) |

### Input data

#### Coil side

|  |                        |
|--|------------------------|
| Nominal input voltage U <sub>N</sub>               | 12 V DC                |
| Input voltage range                                | 9.4 V DC ... 18 V DC   |
| Input voltage range in reference to U <sub>N</sub> | see diagram            |
| Drive and function                                 | monostable             |
| Typical input current at U <sub>N</sub>            | 75 mA                  |
| Typical response time                              | 13 ms                  |
| Typical release time                               | 14 ms                  |
| Coil resistance                                    | 160 Ω ±15 % (at 20 °C) |

### Output data

#### Switching

|                                       |                        |
|---------------------------------------|------------------------|
| Contact switching type                | 4 changeover contacts  |
| Type of switch contact                | Single contact         |
| Contact material                      | AgNi, hard gold-plated |
| Maximum switching voltage             | 250 V AC/DC            |
| Minimum switching voltage             | 1 V                    |
| Limiting continuous current           | 5 A                    |
| Maximum inrush current                | 12 A (15 ms)           |
| Min. switching current                | 1 mA                   |
| Interrupting rating (ohmic load) max. | 1250 VA (for 250 V AC) |

### Connection data

|                   |                    |
|-------------------|--------------------|
| Connection method | Plug-in connection |
|-------------------|--------------------|

# REL-IR/LDP- 12DC/4X21AU - Single relay



2834083

<https://www.phoenixcontact.com/us/products/2834083>

## Dimensions

|        |         |
|--------|---------|
| Width  | 21.5 mm |
| Height | 28 mm   |
| Depth  | 36 mm   |

## Environmental and real-life conditions

### Ambient conditions

|   |                  |
|---|------------------|
| Degree of protection                    | RT I             |
| Ambient temperature (operation)         | -55 °C ... 70 °C |
| Ambient temperature (storage/transport) | -55 °C ... 70 °C |

## Standards and regulations

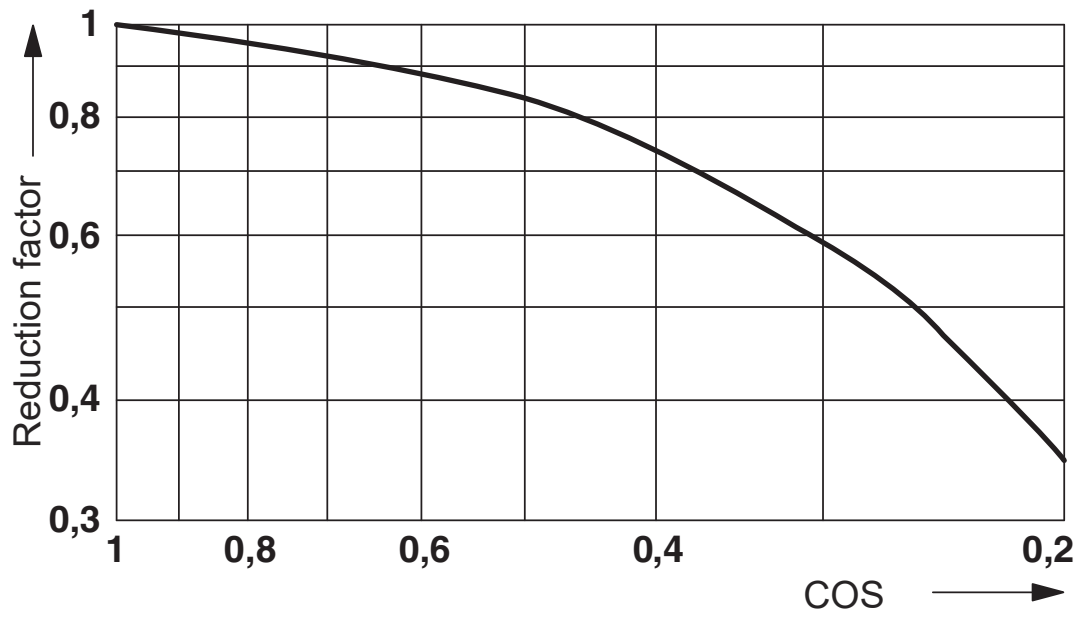
|                       |                |
|-----------------------|----------------|
| Standards/regulations | DIN EN 61810-1 |
|                       | VDE 0435-201   |
|                       | EN 50178       |

## Mounting

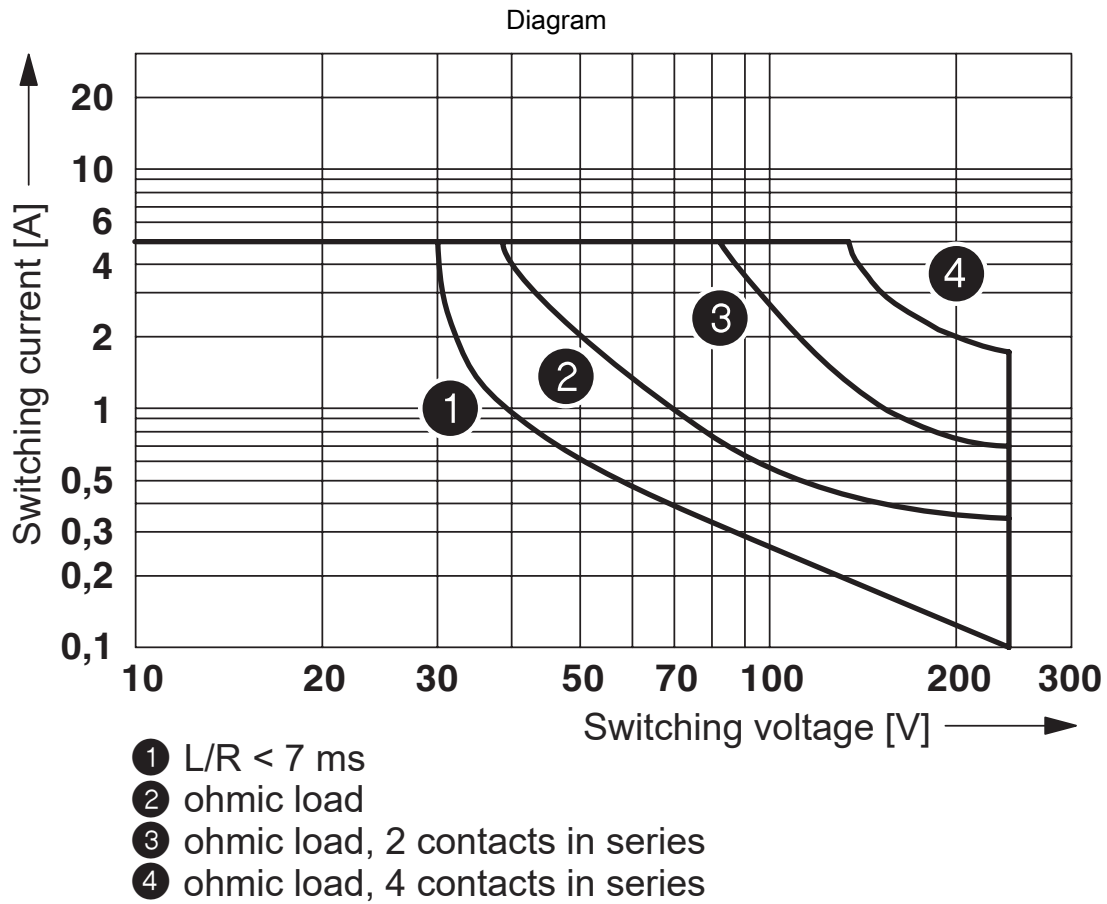
|                       |                   |
|-----------------------|-------------------|
| Assembly instructions | On relay base PR2 |
| Mounting position     | any               |

Drawings

Diagram

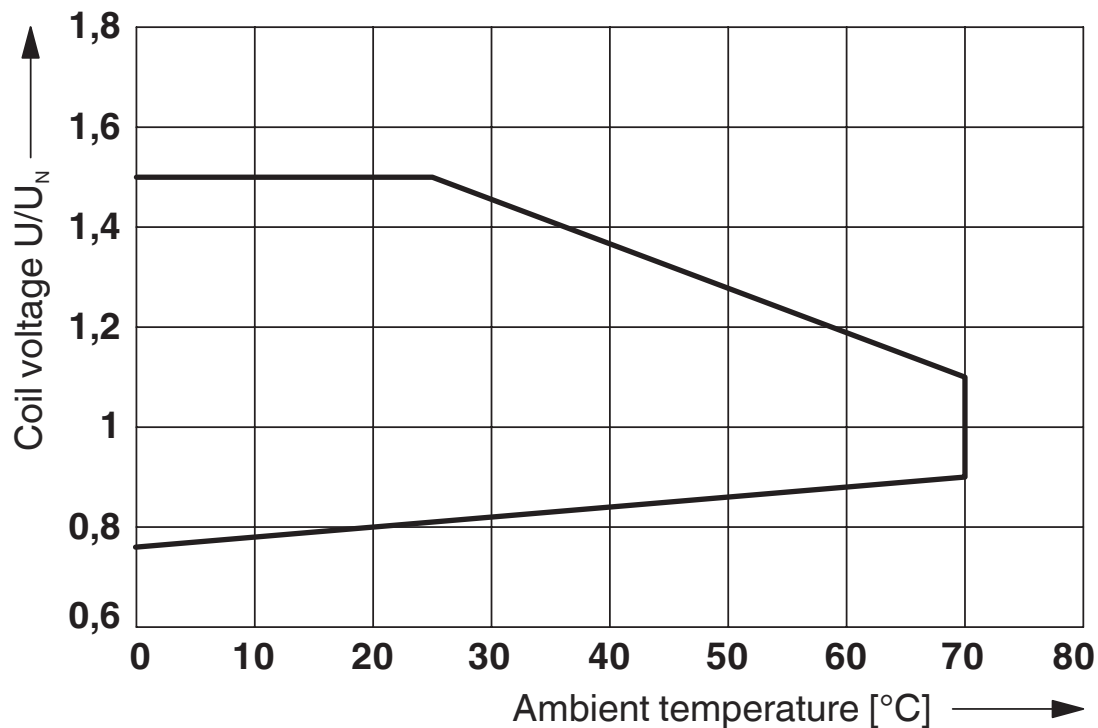


Service life reduction factor



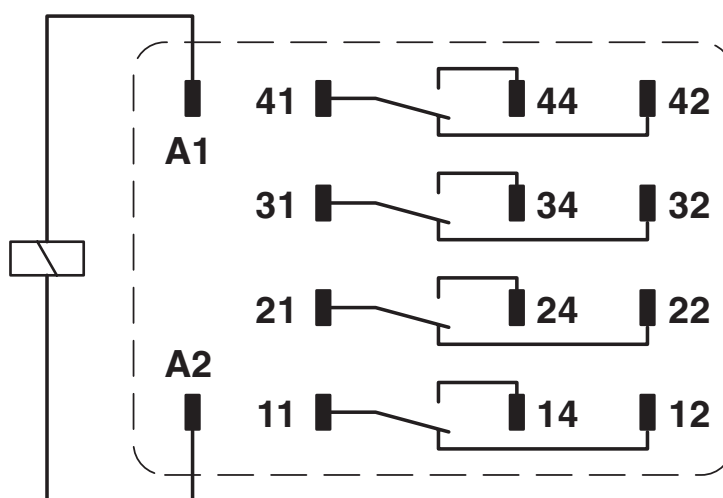
DC interrupting rating

Diagram



Operating voltage range

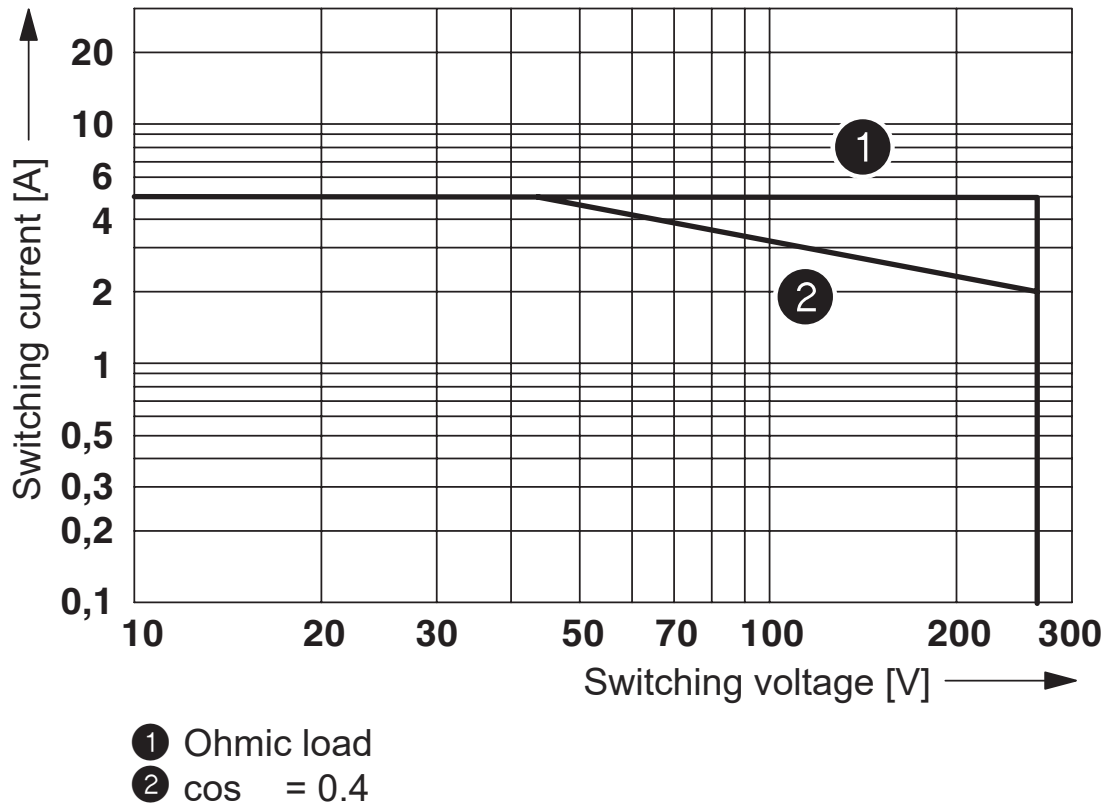
Circuit diagram



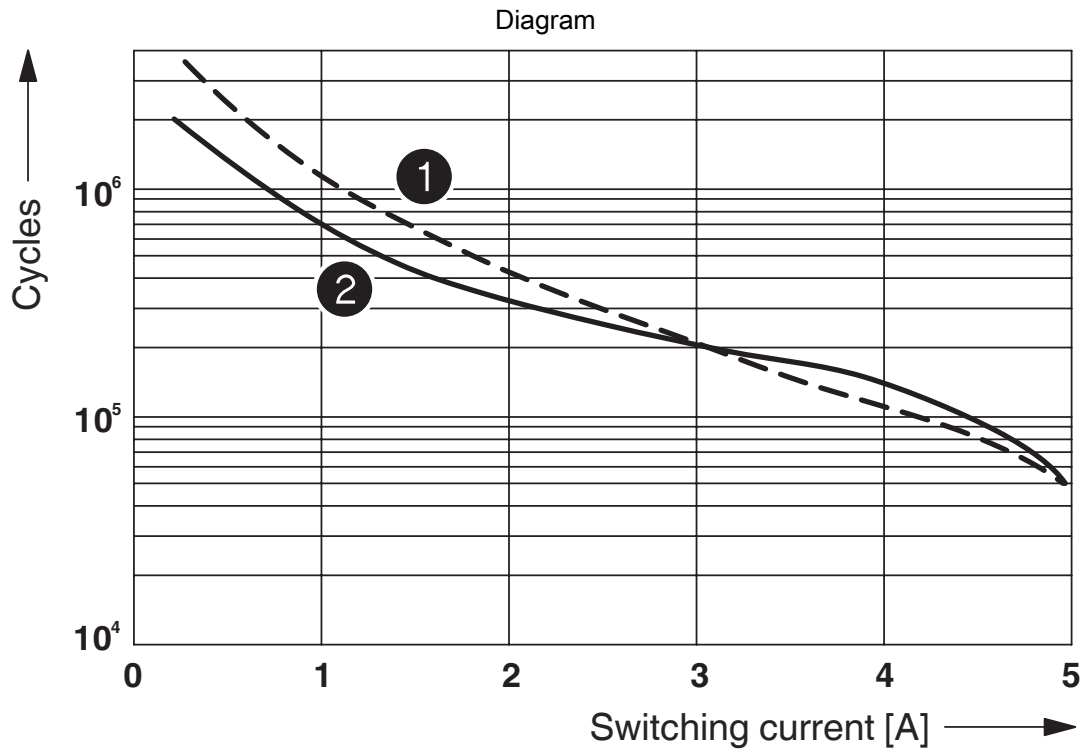
2834083

<https://www.phoenixcontact.com/us/products/2834083>

Diagram



AC interrupting rating



- ① 250 V AC, ohmic load
- ② 30 V DC, ohmic load

Electrical service life



# REL-IR/LDP- 12DC/4X21AU - Single relay



2834083

<https://www.phoenixcontact.com/us/products/2834083>

## Classifications

### ECLASS

|             |          |
|-------------|----------|
| ECLASS-11.0 | 27371601 |
|-------------|----------|

### UNSPSC

|             |          |
|-------------|----------|
| UNSPSC 21.0 | 39122334 |
|-------------|----------|

# REL-IR/LDP- 12DC/4X21AU - Single relay



2834083

<https://www.phoenixcontact.com/us/products/2834083>

## Environmental product compliance

|            |   |
|------------|---|
| China RoHS | Environmentally friendly use period: unlimited = EFUP-e |
|            | No hazardous substances above threshold values          |

Phoenix Contact 2024 © - all rights reserved  
<https://www.phoenixcontact.com>

Phoenix Contact USA  
586 Fulling Mill Road  
Middletown, PA 17057, United States  
(+717) 944-1300  
[info@phoenixcon.com](mailto:info@phoenixcon.com)