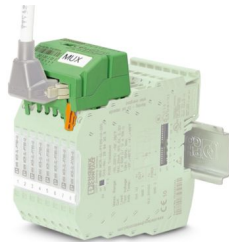


MINI MCR-SL-MUX-V8-FLK 16 - Multiplexer

2811815

<https://www.phoenixcontact.com/us/products/2811815>

Please be informed that the data shown in this PDF document is generated from our online catalog. Please find the complete data in the user documentation. Our general terms of use for downloads are valid.



MINI analog multiplexer, generates one analog output from 8 analog input signals, for MINI analog module with screw connection.

Product description

The multiplexer makes it possible to create one analog output from 8 analog input signals. When running in 1 or 2 second cycles, with the multiplexer, 8, 6, 4, or 2 parallel analog signals can be transmitted serially, therefore successively. Suitable for MINI Analog modules with screw connection method.

Your advantages

- System cabling on the output side using preassembled FLK cables with open ends
- Huge reduction in analog inputs at controllers
- Can be easily snapped onto MINI Analog modules with screw connection technology
- For 4 mA ... 20 mA current signals
- Generates an analog output from up to eight analog input signals – parallel analog signals are transmitted serially via a cable
- The desired number of channels is selected via DIP switches (8, 6, 4 or 2 channels)
- The channel currently switched is indicated as a bit pattern via three digital outputs
- Two clock cycles for execution can be selected via DIP switches (one or two-second clock)
- Supplied by an output loop

Commercial data

Item number	2811815
Packing unit	1 pc
Note	Made to order (non-returnable)
Sales key	C403
Product key	CK12ZZ
Catalog page	Page 123 (C-7-2015)
GTIN	4046356554091
Weight per piece (including packing)	107.2 g
Weight per piece (excluding packing)	50 g
Customs tariff number	85389091
Country of origin	DE

MINI MCR-SL-MUX-V8-FLK 16 - Multiplexer



2811815

<https://www.phoenixcontact.com/us/products/2811815>

Technical data

Product properties

Product type	Multiplexer
--------------	-------------

Electrical properties

Maximum temperature coefficient	< 0.01 %/K
Contact resistance	< 10 mΩ
Maximum transmission error	0.3 % (0.1%, typical)

Supply

Designation	Loop-powered
Supply voltage range	7 V DC ... 30 V DC (Loop-powered)
Max. current consumption	< 3.5 mA (without signal current)
Power consumption	< 24 mW (without signal current)

Input data

Signal

Description of the input	2, 4, 6, or 8-channel(can be switched over)
Configurable/programmable	Via DIP switches
Current input signal	4 mA ... 20 mA
Max. current input signal	< 30 mA
Switching cycles	2 or 1 sec. (can be selected)

Output data

Switching: Transistor

Maximum switching voltage	30 V DC
---------------------------	---------

Signal

Current output signal	4 mA ... 20 mA
Max. current output signal	< 30 mA
Load/output load current output	$(U_{\text{supply}} - 7 \text{ V}) / I_{\text{max}}$
Status display	1, 2, 3-bit digital output (can be selected)

Connection data

Controller level

Connection in acc. with standard	IEC 60603-13
Connection method	IDC/FLK pin strip
Number of connections	1
Number of positions	16
Insertion/withdrawal cycles	≥ 200
Pitch	2.54 mm
Connection method	Spring contact

MINI MCR-SL-MUX-V8-FLK 16 - Multiplexer



2811815

<https://www.phoenixcontact.com/us/products/2811815>

Number of positions	16
Insertion/withdrawal cycles	10

Dimensions

Width	50.4 mm
Height	45.5 mm
Depth	46.2 mm

Material specifications

Color	green (RAL 6021)
Flammability rating according to UL 94	V0
Housing material	PBT

Environmental and real-life conditions

Ambient conditions

Ambient temperature (operation)	-20 °C ... 65 °C
Ambient temperature (storage/transport)	-40 °C ... 80 °C

Approvals

CE

Certificate	CE-compliant
-------------	--------------

ATEX

Identification	⊕ II 3 G Ex nA IIC T4 Gc X
----------------	----------------------------

UL, USA/Canada

Identification	UL 508 Recognized pending
	Class I, Div. 2, Groups A, B, C, D T5 pending

EMC data

Noise immunity	EN 61000-6-2
Note	When being exposed to interference, there may be minimal deviations.
Electromagnetic compatibility	Conformance with EMC directive
Noise emission	EN 61000-6-4

Electrostatic discharge

Comments	Safety measures must be taken to prevent electrostatic discharge.
----------	---

Standards and regulations

Vibration resistance	≤ 0,7g
----------------------	--------

MINI MCR-SL-MUX-V8-FLK 16 - Multiplexer

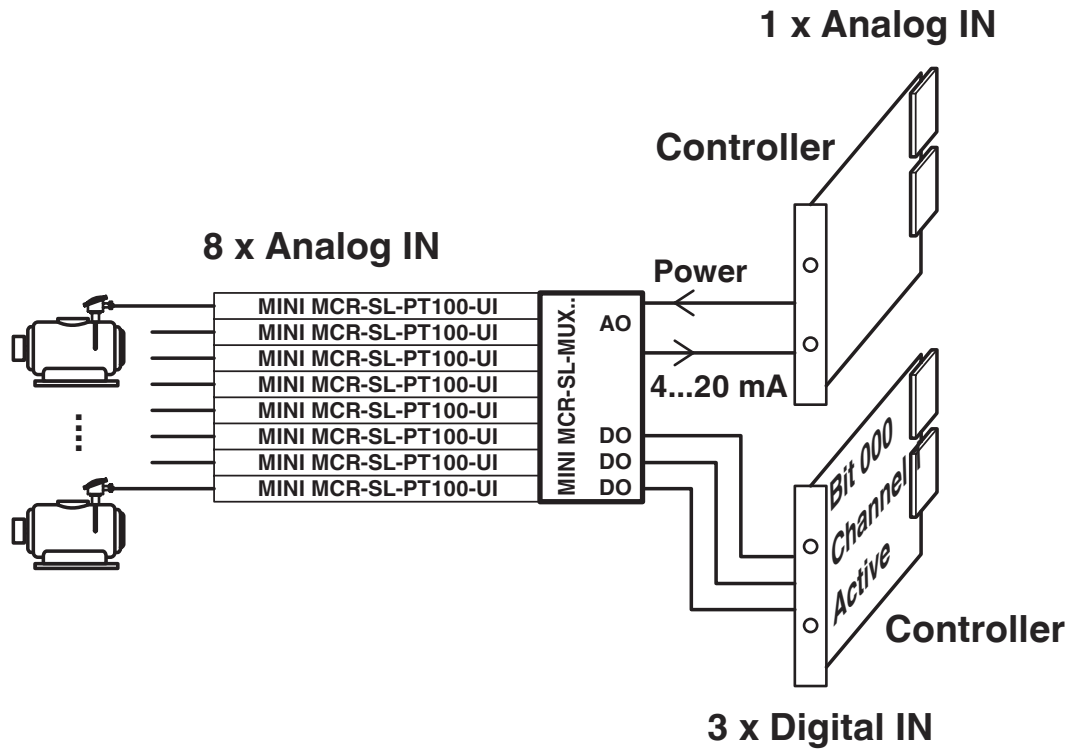


2811815

<https://www.phoenixcontact.com/us/products/2811815>

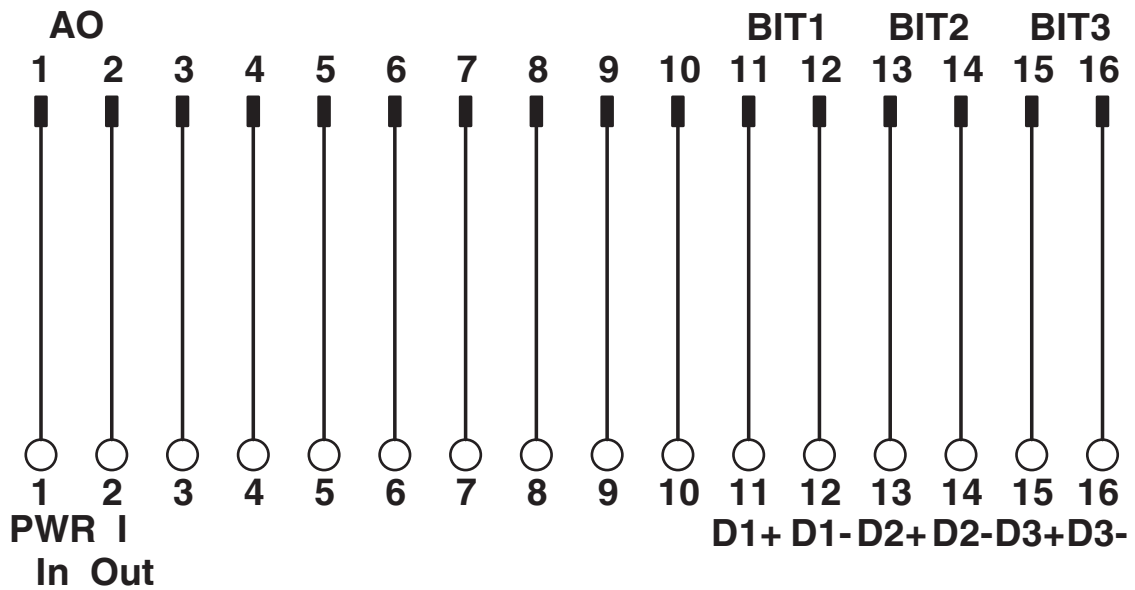
Drawings

Application drawing



Monitoring of eight motor temperatures with just one analog control input

Circuit diagram



MINI MCR-SL-MUX-V8-FLK 16 - Multiplexer



2811815

<https://www.phoenixcontact.com/us/products/2811815>

Environmental product compliance

China RoHS	Environmentally Friendly Use Period = 50 years For information on hazardous substances, refer to the manufacturer's declaration available under "Downloads"
------------	--

MINI MCR-SL-MUX-V8-FLK 16 - Multiplexer

2811815

<https://www.phoenixcontact.com/us/products/2811815>

Accessories

MINI MCR-SL-TB - Feed-through terminal block

2811420

<https://www.phoenixcontact.com/us/products/2811420>



Feed-through terminal block for transmission of signals that are already electrically isolated

CABLE-FLK16/OE/0,14/ 0,5M - Cable

2318127

<https://www.phoenixcontact.com/us/products/2318127>



Round cable set; connection 1: Single wires (16-position) (The wires are marked and fitted with ferrules); connection 2: IDC/FLK socket strip (1x 16-position); cable length: 0.5 m

MINI MCR-SL-MUX-V8-FLK 16 - Multiplexer

2811815

<https://www.phoenixcontact.com/us/products/2811815>

CABLE-FLK16/OE/0,14/ 1,0M - Cable

2318130

<https://www.phoenixcontact.com/us/products/2318130>



Round cable set; connection 1: Single wires (16-position) (The wires are marked and fitted with ferrules); connection 2: IDC/FLK socket strip (1x 16-position); cable length: 1 m

CABLE-FLK16/OE/0,14/ 1,5M - Cable

2318143

<https://www.phoenixcontact.com/us/products/2318143>



Round cable set; connection 1: Single wires (16-position) (The wires are marked and fitted with ferrules); connection 2: IDC/FLK socket strip (1x 16-position); cable length: 1.5 m

MINI MCR-SL-MUX-V8-FLK 16 - Multiplexer

2811815

<https://www.phoenixcontact.com/us/products/2811815>

CABLE-FLK16/OE/0,14/ 2,0M - Cable

2318156

<https://www.phoenixcontact.com/us/products/2318156>



Round cable set; connection 1: Single wires (16-position) (The wires are marked and fitted with ferrules); connection 2: IDC/FLK socket strip (1x 16-position); cable length: 2 m

CABLE-FLK16/OE/0,14/ 3,0M - Cable

2318172

<https://www.phoenixcontact.com/us/products/2318172>



Round cable set; connection 1: Single wires (16-position) (The wires are marked and fitted with ferrules); connection 2: IDC/FLK socket strip (1x 16-position); cable length: 3 m

MINI MCR-SL-MUX-V8-FLK 16 - Multiplexer

2811815

<https://www.phoenixcontact.com/us/products/2811815>

CABLE-FLK16/OE/0,14/ 4,0M - Cable

2318185

<https://www.phoenixcontact.com/us/products/2318185>



Round cable set; connection 1: Single wires (16-position) (The wires are marked and fitted with ferrules); connection 2: IDC/FLK socket strip (1x 16-position); cable length: 4 m

CABLE-FLK16/OE/0,14/ 6,0M - Cable

2318198

<https://www.phoenixcontact.com/us/products/2318198>



Round cable set; connection 1: Single wires (16-position) (The wires are marked and fitted with ferrules); connection 2: IDC/FLK socket strip (1x 16-position); cable length: 6 m

MINI MCR-SL-MUX-V8-FLK 16 - Multiplexer

2811815

<https://www.phoenixcontact.com/us/products/2811815>

CABLE-FLK16/OE/0,14/ 8,0M - Cable

2318208

<https://www.phoenixcontact.com/us/products/2318208>



Round cable set; connection 1: Single wires (16-position) (The wires are marked and fitted with ferrules); connection 2: IDC/FLK socket strip (1x 16-position); cable length: 8 m

CABLE-FLK16/OE/0,14/10,0M - Cable

2318211

<https://www.phoenixcontact.com/us/products/2318211>



Round cable set; connection 1: Single wires (16-position) (The wires are marked and fitted with ferrules); connection 2: IDC/FLK socket strip (1x 16-position); cable length: 10 m

MINI MCR-SL-MUX-V8-FLK 16 - Multiplexer



2811815

<https://www.phoenixcontact.com/us/products/2811815>

CABLE-FLK16/OE/0,14/... - Cable

2318224

<https://www.phoenixcontact.com/us/products/2318224>



Round cable set; connection 1: Single wires (16-position) (The wires are marked and fitted with ferrules); connection 2: IDC/FLK socket strip (1x 16-position); cable length: variable

CABLE-FLK16-OE-S/... - Cable

2906637

<https://www.phoenixcontact.com/us/products/2906637>



Round cable set; connection 1: Single wires (16-position) (The wires are marked and fitted with ferrules); connection 2: IDC/FLK socket strip (1x 16-position); cable length: variable

Phoenix Contact 2024 © - all rights reserved
<https://www.phoenixcontact.com>

Phoenix Contact USA
586 Fulling Mill Road
Middletown, PA 17057, United States
(+717) 944-1300
info@phoenixcon.com