

P 1-UEGM - PCB

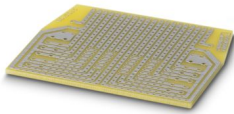


2792109

<https://www.phoenixcontact.com/pc/products/2792109>

Please be informed that the data shown in this PDF document is generated from our online catalog. Please find the complete data in the user documentation. Our general terms of use for downloads are valid.

PCB, for screw and slip-on connection, for custom fitting electronic components.



Commercial data

Item number	2792109
Packing unit	10 pc
Minimum order quantity	1 pc
Product key	ACHCCZ
Catalog page	Page 724 (C-1-2013)
GTIN	4017918072575
Weight per piece (including packing)	13.73 g
Weight per piece (excluding packing)	13.004 g
Customs tariff number	85340019
Country of origin	DE

P 1-UEGM - PCB

2792109

<https://www.phoenixcontact.com/pc/products/2792109>



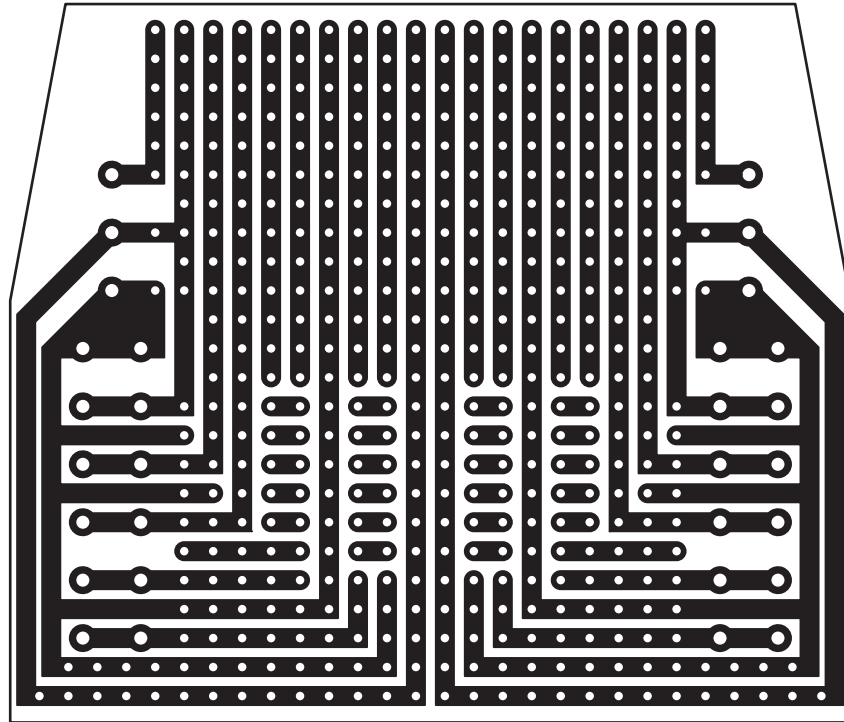
Technical data

Product properties

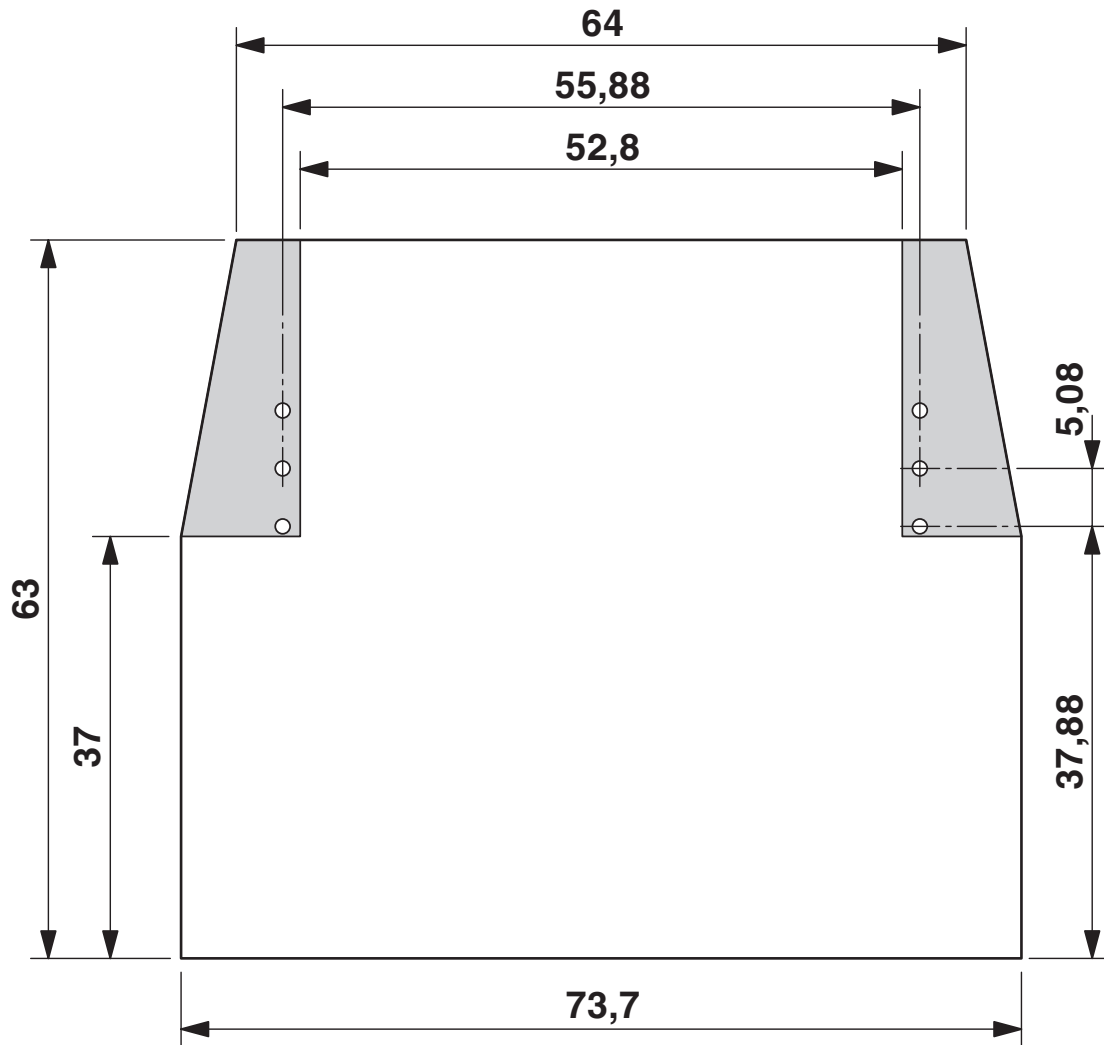
Product type	PCB
Product family	UEGM
Housing series	UEG

Drawings

Schematic diagram



Dimensional drawing



P 1-UEGM - PCB



2792109

<https://www.phoenixcontact.com/pc/products/2792109>

Classifications

ECLASS

ECLASS-11.0	27182702
ECLASS-13.0	27260692

ETIM

ETIM 9.0	EC001031
----------	----------

UNSPSC

UNSPSC 21.0	31261500
-------------	----------

P 1-UEGM - PCB

2792109

<https://www.phoenixcontact.com/pc/products/2792109>



Environmental product compliance

China RoHS	Environmentally friendly use period: unlimited = EFUP-e
	No hazardous substances above threshold values

Phoenix Contact 2024 © - all rights reserved
<https://www.phoenixcontact.com>

PHOENIX CONTACT GmbH & Co. KG
Flachmarktstraße 8
D-32825 Blomberg
+49 (0) 5235-3 00
info@phoenixcontact.com