

# MCR-SWS-I - Limit value switch



2766478

<https://www.phoenixcontact.com/us/products/2766478>

Please be informed that the data shown in this PDF document is generated from our online catalog. Please find the complete data in the user documentation. Our general terms of use for downloads are valid.



MCR threshold value switches, with adjustable hysteresis and relay/transistor output, input signal 0(4)..20 mA

## Your advantages

- Adjustable hysteresis
- Monitoring of three signal states
- Relay/transistor output
- Limit value indication
- 0 ... 10 V or 0 ... 20 mA input

## Commercial data

Item number	2766478
Packing unit	1 pc
Note	Made to order (non-returnable)
Sales key	C401
Product key	CK1843
Catalog page	Page 147 (C-7-2013)
GTIN	4017918066727
Weight per piece (including packing)	157.1 g
Weight per piece (excluding packing)	154 g
Customs tariff number	85437090
Country of origin	DE

# MCR-SWS-I - Limit value switch



2766478

<https://www.phoenixcontact.com/us/products/2766478>

## Technical data

### Notes

#### Utilization restriction

EMC note	EMC: class A product, see manufacturer's declaration in the download area
----------	---

### Product properties

Product type	Limit value switch
No. of channels	1

### Electrical properties

Step response (10-90%)	< 25 ms
Maximum temperature coefficient	≤ 0.02 %/K

#### Supply

Supply voltage range	20 V DC ... 30 V DC
Max. current consumption	typ. 60 mA

### Input data

#### Signal

Description of the input	Current input
Current input signal	0 mA ... 20 mA
	4 mA ... 20 mA
Max. current input signal	22 mA
Input resistance current input	≤ 120 Ω
Min setting range of the current threshold value	0 A ... 20 mA
Setting range of the current hysteresis	0.2 mA ... 20 mA (setting accuracy: ± 60 µA)
Internal current hysteresis	± 60 µA (around the lower/upper switching point)
Setting option	Setting potentiometer, scaled 270° potentiometer

### Output data

#### Switching: Transistor

Number of outputs	3
Continuous load current	100 mA
Output voltage range	20 V DC ... 30 V DC

#### Switching: Relay

Contact switching type	1 changeover contact
Contact material	AgNi 0,15 + HTV (hard gold-plated)
Maximum switching voltage	250 V AC (30 V DC)
Max. switching current	2 A
Mechanical service life	10 <sup>7</sup> cycles

# MCR-SWS-I - Limit value switch



2766478

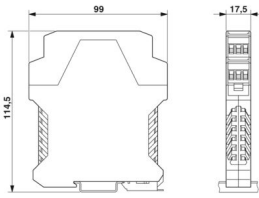
<https://www.phoenixcontact.com/us/products/2766478>

Status display	LED
----------------	-----

## Connection data

Connection method	Screw connection
Stripping length	8 mm
Screw thread	M3
Conductor cross section rigid	0.2 mm <sup>2</sup> ... 2.5 mm <sup>2</sup>
Conductor cross section flexible	0.2 mm <sup>2</sup> ... 2.5 mm <sup>2</sup>
Conductor cross section AWG	24 ... 14

## Dimensions

Dimensional drawing	
Width	17.5 mm
Height	99 mm
Depth	114.5 mm

## Material specifications

Color	green (RAL 6021)
Housing material	Polyamide PA non-reinforced

## Environmental and real-life conditions

### Ambient conditions

Ambient temperature (operation)	-20 °C ... 65 °C
---------------------------------	------------------

## Approvals

### CE

Certificate	CE-compliant
-------------	--------------

### UL, USA/Canada

Identification	UL 508 Recognized
----------------	-------------------

## Mounting

Mounting type	DIN rail mounting
Mounting position	any

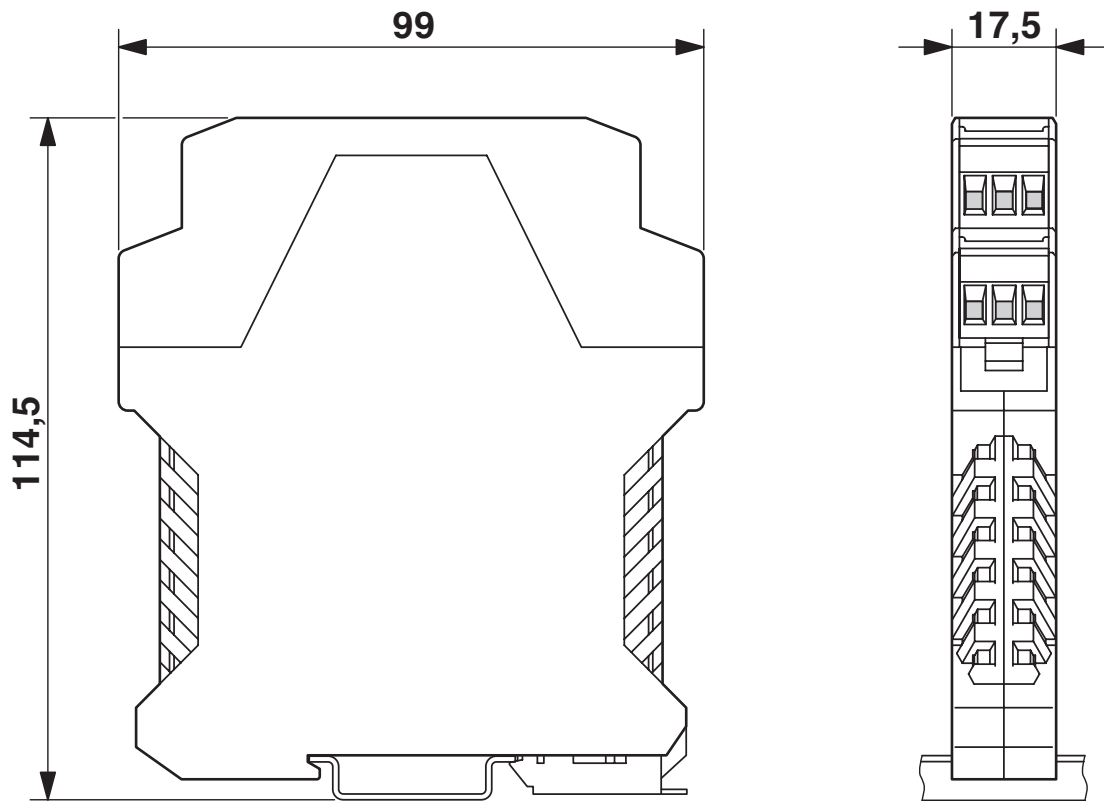
# MCR-SWS-I - Limit value switch

2766478

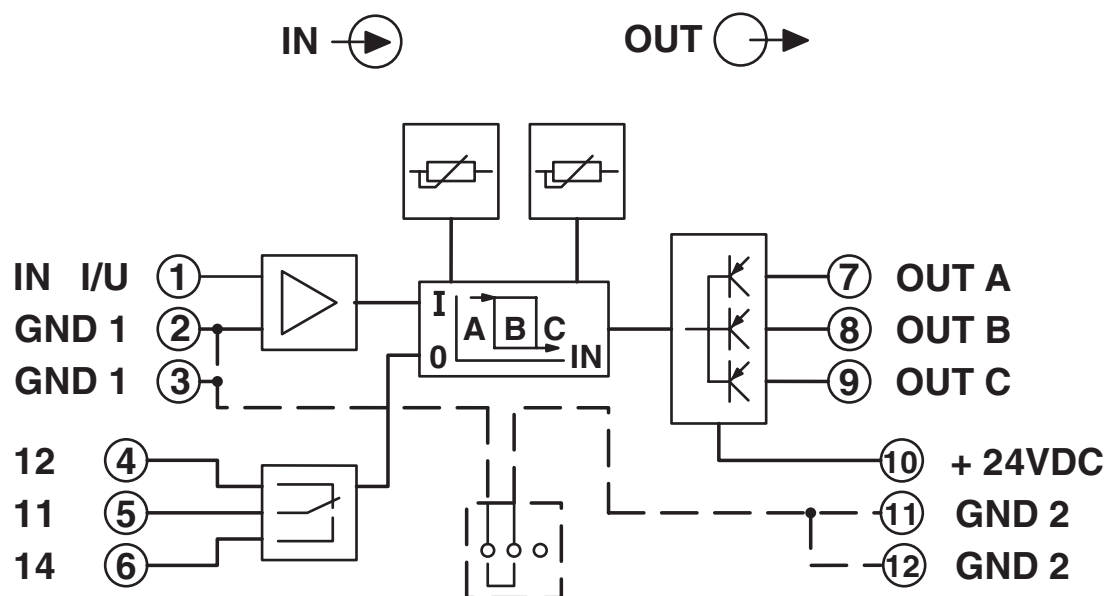
<https://www.phoenixcontact.com/us/products/2766478>

## Drawings

Dimensional drawing



Circuit diagram



# MCR-SWS-I - Limit value switch

2766478

<https://www.phoenixcontact.com/us/products/2766478>



## Classifications

### ECLASS

ECLASS-11.0	27210120
-------------	----------

# MCR-SWS-I - Limit value switch



2766478

<https://www.phoenixcontact.com/us/products/2766478>

## Environmental product compliance

### China RoHS

Environment friendly use period (EFUP)	EFUP-50
	An article-related China RoHS declaration table can be found in the download area for the respective article under "Manufacturer declaration". For all articles with EFUP-E, no China RoHS declaration table issued and required.

### EU REACH SVHC

REACH candidate substance (CAS No.)	No substance above 0.1 wt%
-------------------------------------	----------------------------

Phoenix Contact 2024 © - all rights reserved  
<https://www.phoenixcontact.com>

Phoenix Contact USA  
586 Fulling Mill Road  
Middletown, PA 17057, United States  
(+717) 944-1300  
[info@phoenixcon.com](mailto:info@phoenixcon.com)