

EG 90-A/ABS GN - Upper housing part

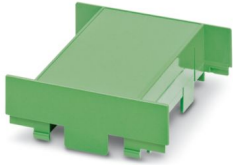


2764399

<https://www.phoenixcontact.com/pc/products/2764399>

Please be informed that the data shown in this PDF document is generated from our online catalog. Please find the complete data in the user documentation. Our general terms of use for downloads are valid.

Component housing, Cover, for two-sided connection, width: 90 mm, height: 75 mm, color: green (similar RAL 6021)



Your advantages

- Tool-free mounting

Commercial data

Item number	2764399
Packing unit	10 pc
Minimum order quantity	1 pc
Product key	ACHCGA
Catalog page	Page 719 (C-1-2013)
GTIN	4017918065980
Weight per piece (including packing)	22.89 g
Weight per piece (excluding packing)	16.43 g
Customs tariff number	85389099
Country of origin	PL

EG 90-A/ABS GN - Upper housing part

2764399

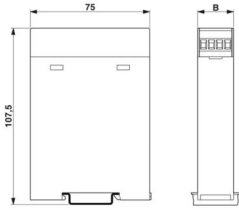
<https://www.phoenixcontact.com/pc/products/2764399>

Technical data

Product properties

Product type	Upper housing part
Product family	EG...A
Housing series	EG
Number of positions	34
Type	Cover, for two-sided connection
Housing type	Component housing
Ventilation openings present	no

Dimensions

Dimensional drawing	
Width	90 mm
Height	75 mm

PCB design

PCB thickness	1.4 mm ... 1.8 mm
---------------	-------------------

Material specifications

Color (Housing)	green (RAL 6021)
Flammability rating according to UL 94	HB
Housing material	ABS
Surface characteristics	untreated

Environmental and real-life conditions

Ambient conditions

Degree of protection	IP20
Max. IP code to attain	IP20
Ambient temperature (operation)	-40 °C ... 80 °C (depending on power dissipation)
Ambient temperature (storage/transport)	-40 °C ... 55 °C
Ambient temperature (assembly)	-5 °C ... 80 °C

PCB data

Thickness of the PCB	1.4 mm ... 1.8 mm
----------------------	-------------------

Mounting

Mounting type	Snap in
---------------	---------

EG 90-A/ABS GN - Upper housing part

2764399

<https://www.phoenixcontact.com/pc/products/2764399>



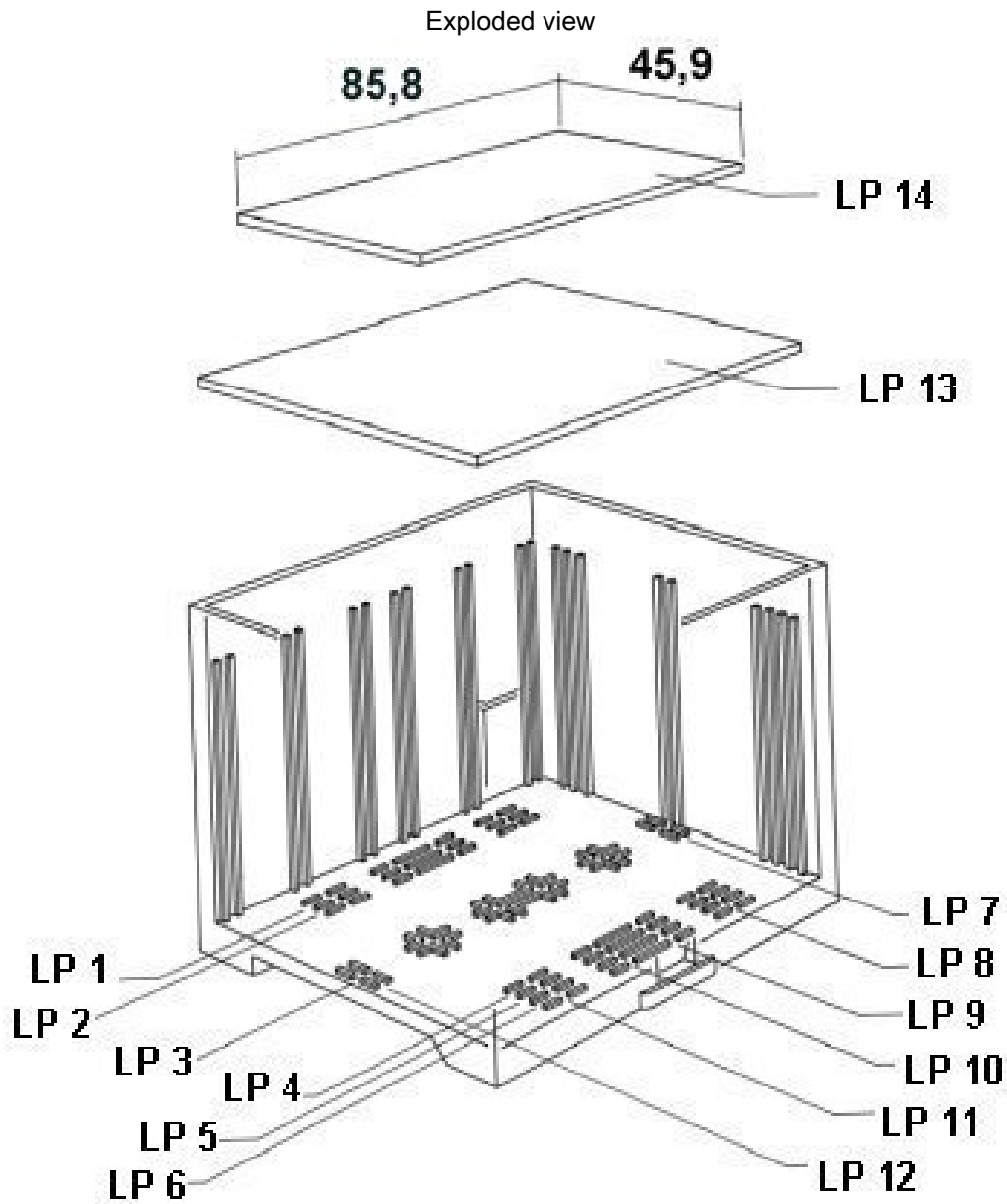
Mounting position	Vertical (horizontal DIN rail)
-------------------	--------------------------------

EG 90-A/ABS GN - Upper housing part

2764399

<https://www.phoenixcontact.com/pc/products/2764399>

Drawings

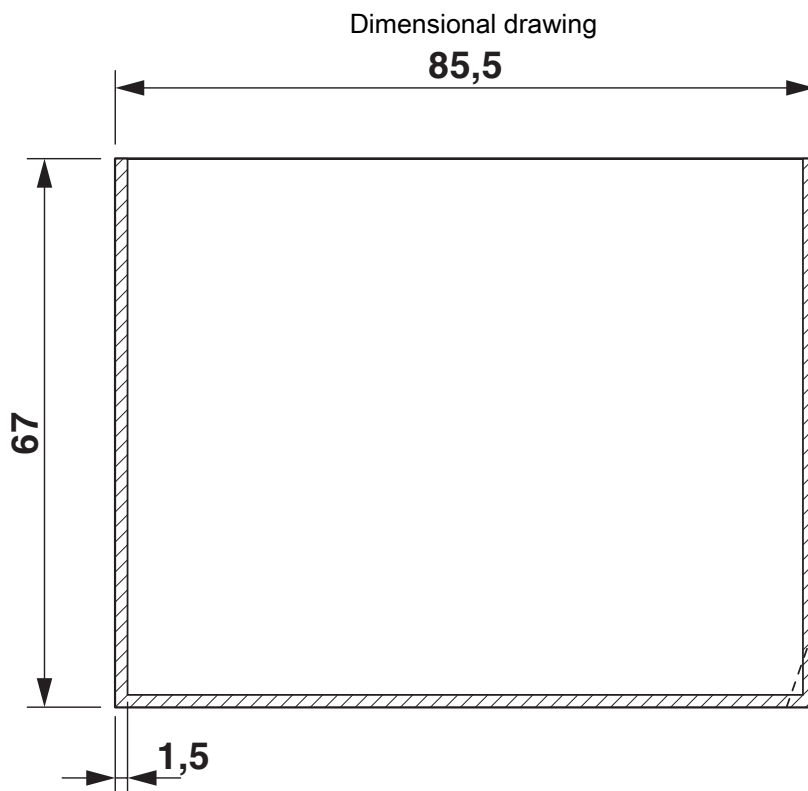


valid for PCB 14

EG 90-A/ABS GN - Upper housing part

2764399

<https://www.phoenixcontact.com/pc/products/2764399>



valid for PCB 1; 2; 3; 4; 5 und 6, see explosion drawing

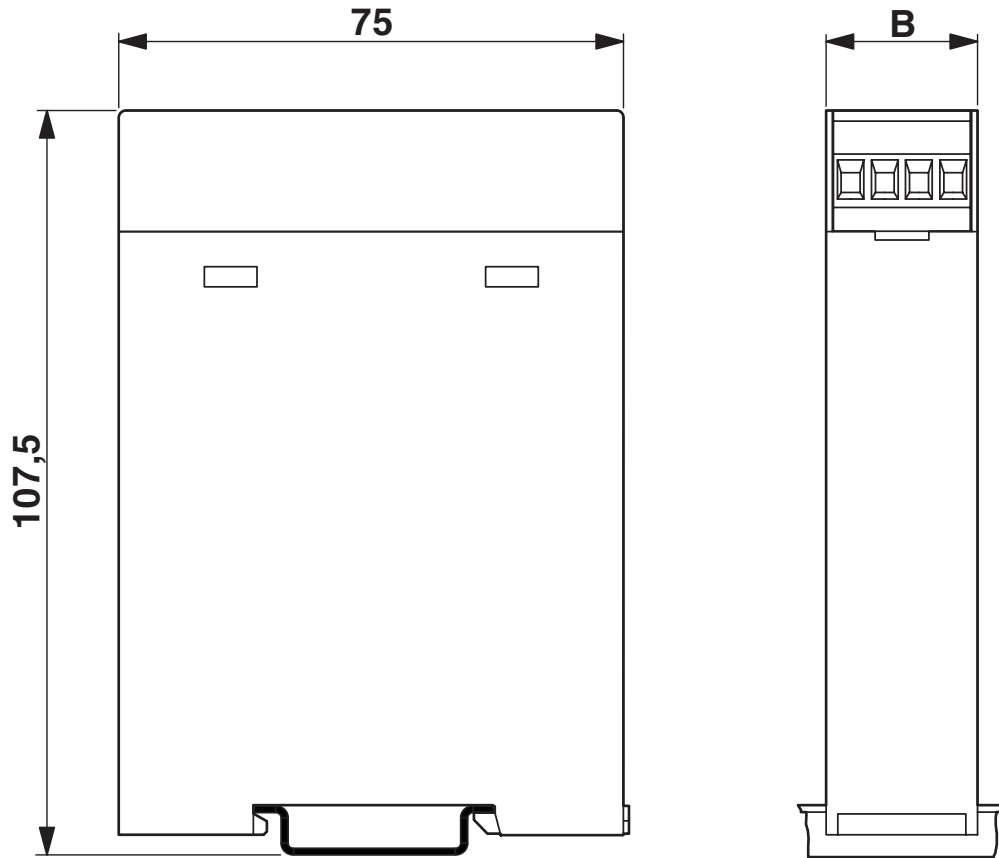
EG 90-A/ABS GN - Upper housing part

2764399

<https://www.phoenixcontact.com/pc/products/2764399>



Dimensional drawing

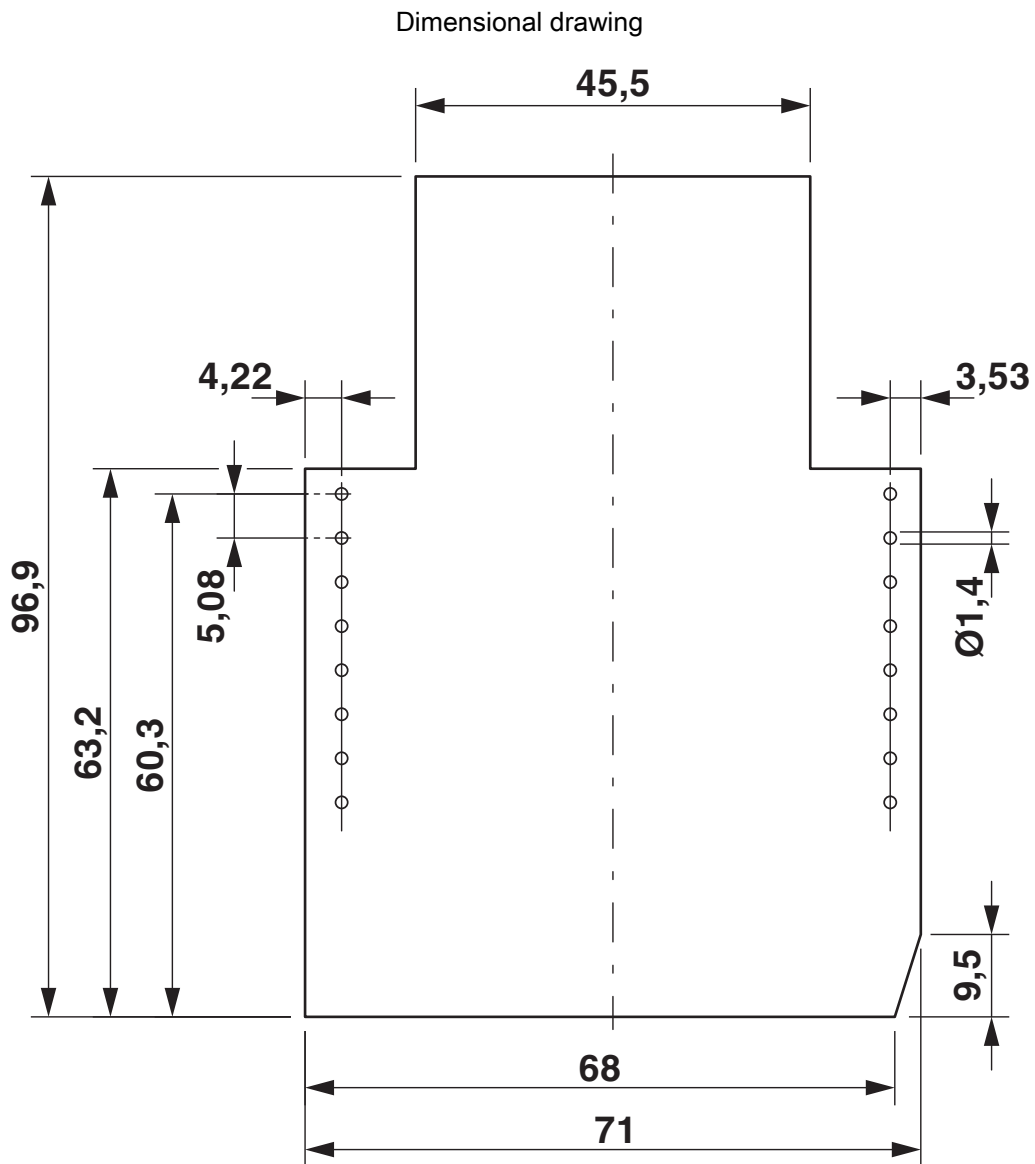


EG 90-A/ABS GN - Upper housing part



2764399

<https://www.phoenixcontact.com/pc/products/2764399>

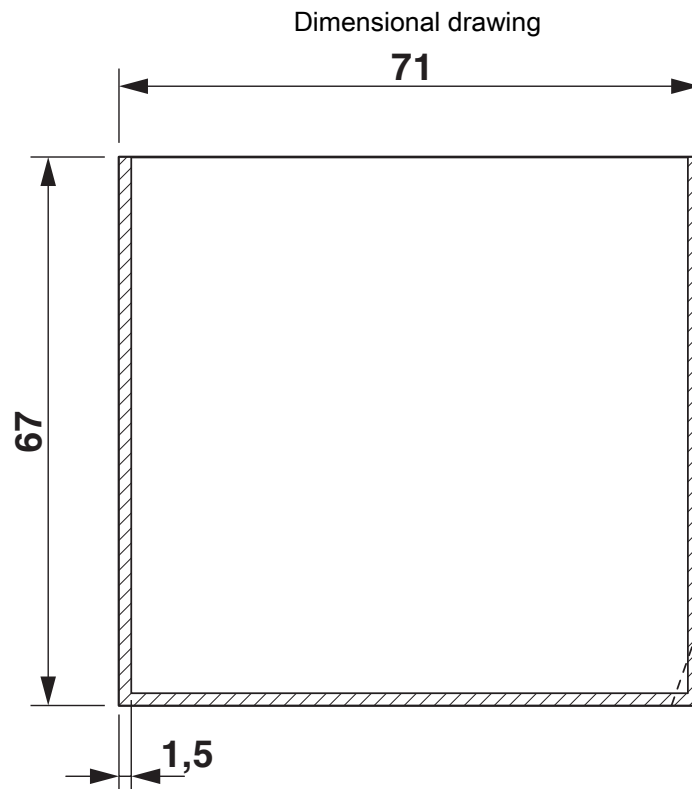


Component mounting side, if the double-level upper part is used

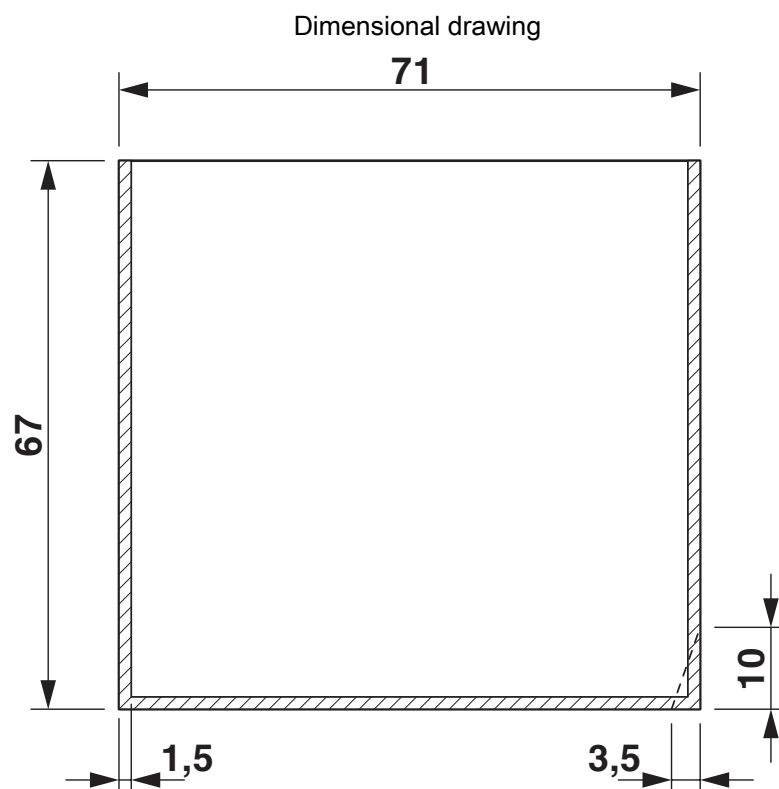
EG 90-A/ABS GN - Upper housing part

2764399

<https://www.phoenixcontact.com/pc/products/2764399>



valid for PCB 7; 8; 11 and 12, see explosion drawing

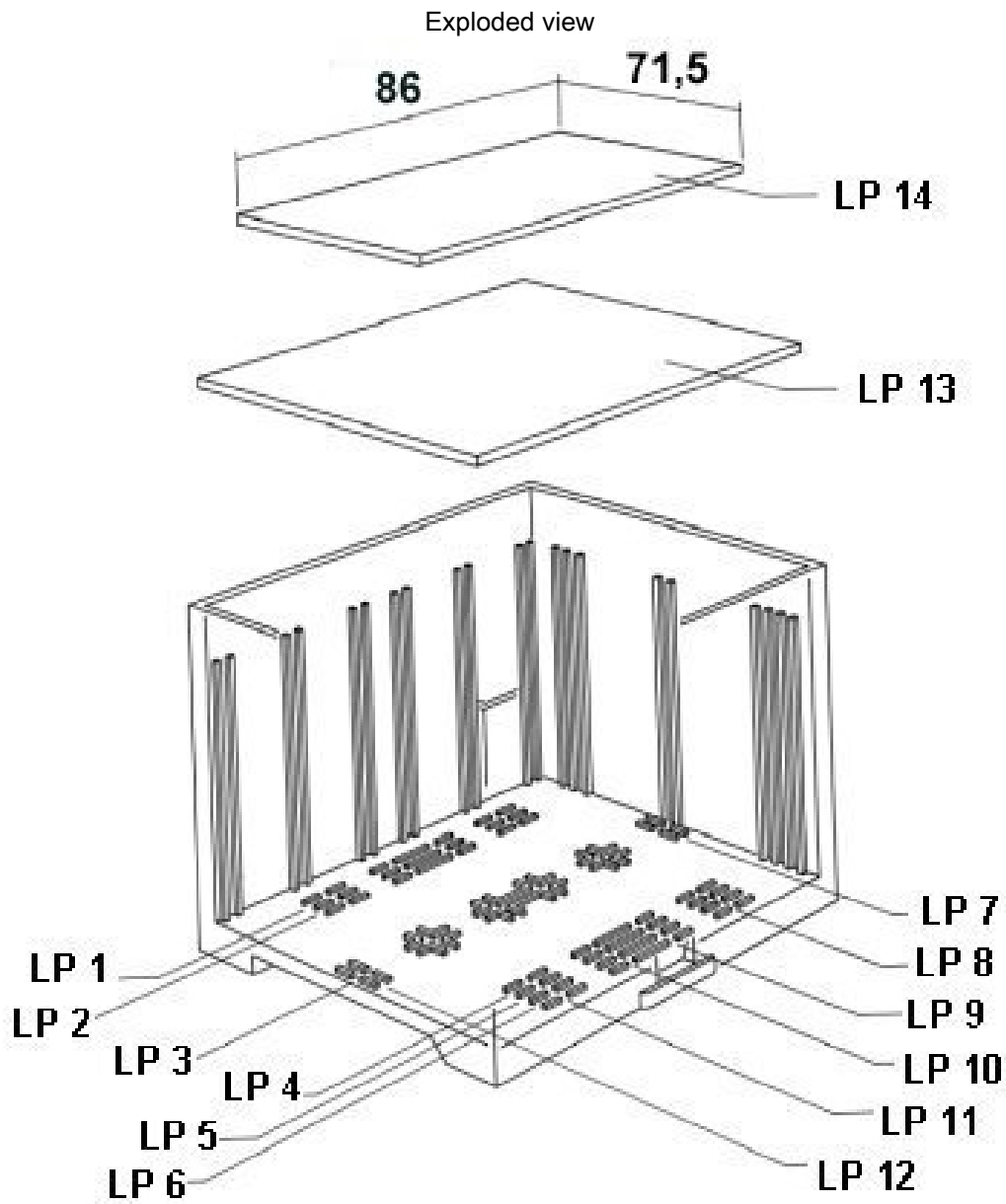


valid for PCB 9 and 10, see explosion drawing

EG 90-A/ABS GN - Upper housing part

2764399

<https://www.phoenixcontact.com/pc/products/2764399>



valid for PCB 13

EG 90-A/ABS GN - Upper housing part



2764399

<https://www.phoenixcontact.com/pc/products/2764399>

Approvals

To download certificates, visit the product detail page: <https://www.phoenixcontact.com/pc/products/2764399>



UL Recognized

Approval ID: FILE E 240868

EG 90-A/ABS GN - Upper housing part



2764399

<https://www.phoenixcontact.com/pc/products/2764399>

Classifications

ECLASS

ECLASS-11.0	27182702
ECLASS-13.0	27190603

ETIM

ETIM 8.0	EC001031
----------	----------

UNSPSC

UNSPSC 21.0	31261500
-------------	----------

EG 90-A/ABS GN - Upper housing part



2764399

<https://www.phoenixcontact.com/pc/products/2764399>

Environmental product compliance

China RoHS	Environmentally friendly use period: unlimited = EFUP-e No hazardous substances above threshold values
------------	---

Phoenix Contact 2024 © - all rights reserved
<https://www.phoenixcontact.com>

PHOENIX CONTACT GmbH & Co. KG
Flachmarktstraße 8
D-32825 Blomberg
+49 (0) 5235-3 00
info@phoenixcontact.com