

# SCT-D-SUB 9-KG - Housing

2749550

<https://www.phoenixcontact.com/pc/products/2749550>



Please be informed that the data shown in this PDF document is generated from our online catalog. Please find the complete data in the user documentation. Our general terms of use for downloads are valid.

Cable housing for D-SUB-9



## Commercial data

Item number	2749550
Packing unit	1 pc
Minimum order quantity	1 pc
Product key	CL311Z
Catalog page	Page 214 (CC-2005)
GTIN	4017918104979
Weight per piece (including packing)	47.34 g
Weight per piece (excluding packing)	45.7 g
Customs tariff number	85389099
Country of origin	DK

# SCT-D-SUB 9-KG - Housing

2749550

<https://www.phoenixcontact.com/pc/products/2749550>



## Technical data

### Product properties

Product type	Cable housing
Product family	DATATRAB

### Material specifications

Color	Silver
Housing material	Zinc die-cast
Housing surface material	nickel-plated

# SCT-D-SUB 9-KG - Housing

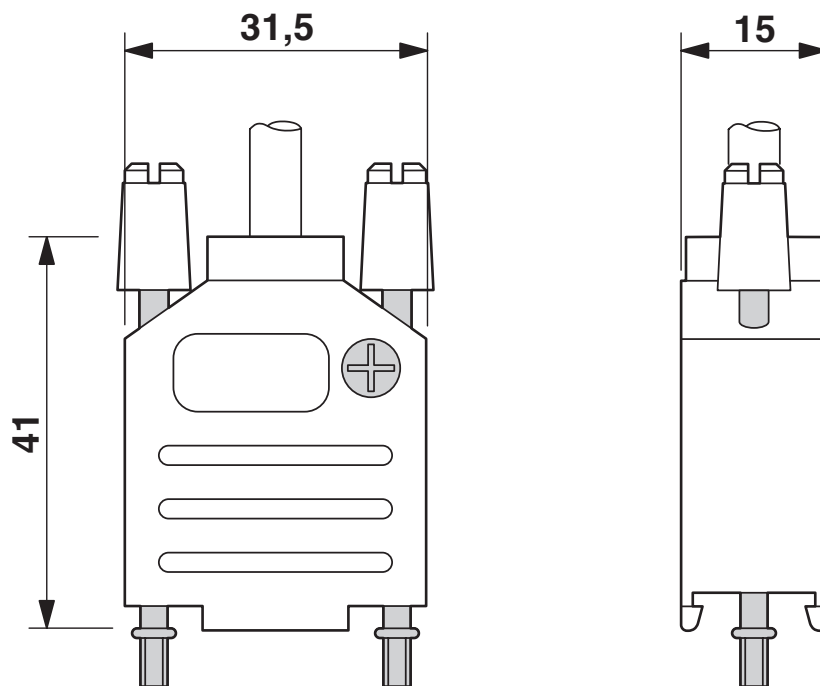
2749550

<https://www.phoenixcontact.com/pc/products/2749550>



## Drawings

Dimensional drawing



# SCT-D-SUB 9-KG - Housing

2749550

<https://www.phoenixcontact.com/pc/products/2749550>



## Approvals

🔗 To download certificates, visit the product detail page: <https://www.phoenixcontact.com/pc/products/2749550>



**EAC**

Approval ID: EAC-Zulassung

# SCT-D-SUB 9-KG - Housing

2749550

<https://www.phoenixcontact.com/pc/products/2749550>



## Classifications

### ECLASS

ECLASS-11.0	27130890
ECLASS-13.0	27171503

### ETIM

ETIM 9.0	EC001466
----------	----------

### UNSPSC

UNSPSC 21.0	39121600
-------------	----------

# SCT-D-SUB 9-KG - Housing

2749550

<https://www.phoenixcontact.com/pc/products/2749550>



## Environmental product compliance

China RoHS	Environmentally friendly use period: unlimited = EFUP-e
	No hazardous substances above threshold values

Phoenix Contact 2024 © - all rights reserved  
<https://www.phoenixcontact.com>

PHOENIX CONTACT GmbH & Co. KG  
Flachmarktstraße 8  
D-32825 Blomberg  
+49 (0) 5235-3 00  
[info@phoenixcontact.com](mailto:info@phoenixcontact.com)