

PSD-S ME B-M - Mounting material



2700164

<https://www.phoenixcontact.com/nz/products/2700164>

Please be informed that the data shown in this PDF document is generated from our online catalog. Please find the complete data in the user documentation. Our general terms of use for downloads are valid.



Foot for tube Ø 25 mm, aluminium, black

Commercial data

| | |
|--------------------------------------|---------------------|
| Item number | 2700164 |
| Packing unit | 1 pc |
| Minimum order quantity | 1 pc |
| Sales key | DRL117 |
| Product key | DRL117 |
| Catalog page | Page 521 (C-6-2019) |
| GTIN | 4046356491532 |
| Weight per piece (including packing) | 109.4 g |
| Weight per piece (excluding packing) | 109.4 g |
| Country of origin | DE |

PSD-S ME B-M - Mounting material



2700164

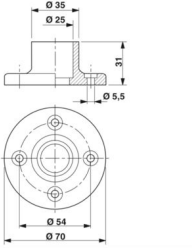
<https://www.phoenixcontact.com/nz/products/2700164>

Technical data

Product properties

| | |
|-------------------|--|
| Product type | Assembly element |
| Scope of delivery | 1 x terminal block screw (Allen screw) 1 x seal |
| | 1 x terminal block screw (Allen screw) 1 x seal |

Dimensions

| | |
|---------------------|---|
| Dimensional drawing |  |
| Height | 31 mm |
| Diameter | 70 mm |

Material specifications

| | |
|----------|-------------------|
| Color | black |
| Material | Anodized aluminum |

Environmental and real-life conditions

Ambient conditions

| | |
|---------------------------------|------------------|
| Ambient temperature (operation) | -30 °C ... 60 °C |
|---------------------------------|------------------|

Mounting

| | |
|-----------------------|-----------------------|
| Mounting type | Tube mounting |
| | Base mounting |
| Assembly instructions | Seal is supplied with |
| Mounting position | any |

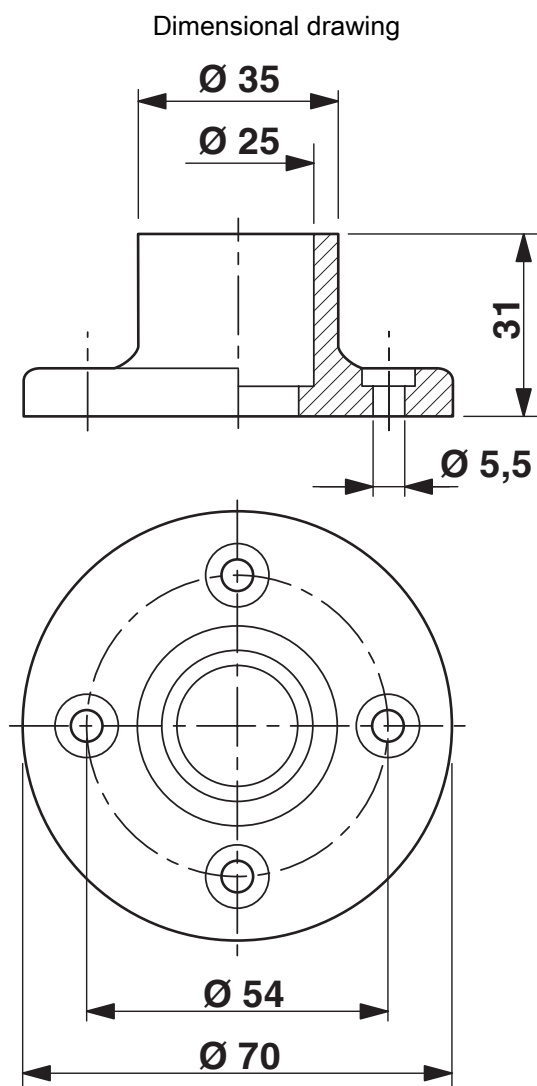
PSD-S ME B-M - Mounting material

2700164

<https://www.phoenixcontact.com/nz/products/2700164>



Drawings



PSD-S ME B-M - Mounting material



2700164

<https://www.phoenixcontact.com/nz/products/2700164>

Approvals

🔗 To download certificates, visit the product detail page: <https://www.phoenixcontact.com/nz/products/2700164>



EAC

Approval ID: EAC-Zulassung



EAC

Approval ID: RU *-DE.A*30.B.00237

PSD-S ME B-M - Mounting material



2700164

<https://www.phoenixcontact.com/nz/products/2700164>

Classifications

ECLASS

| | |
|-------------|----------|
| ECLASS-12.0 | 27371235 |
| ECLASS-13.0 | 27371235 |
| ECLASS-11.0 | 27371235 |

ETIM

| | |
|----------|----------|
| ETIM 9.0 | EC001154 |
|----------|----------|

UNSPSC

| | |
|-------------|----------|
| UNSPSC 21.0 | 43221500 |
|-------------|----------|

PSD-S ME B-M - Mounting material



2700164

<https://www.phoenixcontact.com/nz/products/2700164>

Environmental product compliance

| | |
|------------|---|
| China RoHS | Environmentally friendly use period: unlimited = EFUP-e No hazardous substances above threshold values |
|------------|---|

Phoenix Contact 2024 © - all rights reserved
<https://www.phoenixcontact.com>

PHOENIX CONTACT Ltd
Unit 15C, 906-930 Great South Road, Penrose
Auckland 1061
0508 474 636
sales@phoenixcontact.co.nz