

FLKM S135/S7/FLK50/PLC - Front adapter



2314736

<https://www.phoenixcontact.com/pc/products/2314736>

Please be informed that the data shown in this PDF document is generated from our online catalog. Please find the complete data in the user documentation. Our general terms of use for downloads are valid.



Converter for SIMATIC® S5-135 on 50- pos. FLK strip over which an S7 control can be coupled.
Conversion: 6ES5 420-4UA14 / 6ES5 430-4UA14 on 6ES7 321-1BL00-0AA0 **OR** 6ES5 441-4UA14 / 6ES5 451-4UA14 on 6ES7 322-1BL00-0AA0

Commercial data

Item number	2314736
Packing unit	1 pc
Minimum order quantity	1 pc
Product key	CK2118
Catalog page	Page 539 (C-5-2019)
GTIN	4046356155243
Weight per piece (including packing)	255.3 g
Weight per piece (excluding packing)	254 g
Customs tariff number	85366990
Country of origin	DE

FLKM S135/S7/FLK50/PLC - Front adapter



2314736

<https://www.phoenixcontact.com/pc/products/2314736>

Technical data

Product properties

Product type	Front adapter
--------------	---------------

Insulation characteristics

Insulation	Functional insulation
------------	-----------------------

Insulation characteristics

Insulation	Functional insulation
Overvoltage category	II
Pollution degree	2

Electrical properties

Max. permissible operating voltage	60 V DC
Max. permissible current	1 A (per path)
Nominal operating mode	100% operating factor
Rated insulation voltage	63 V
Rated surge voltage	0.6 kV

Supported controller SIEMENS S5-135 U

Suitable I/O card	6ES5 420-4UA14
	6ES5 430-4UA14
	6ES5 441-4UA14
	6ES5 451-4UA14

Connection data

Field level

Connection method	IDC/FLK pin strip
Number of connections	1
Number of positions	50
Pitch	2.54 mm

Dimensions

Item dimensions

Width	26 mm
Height	85 mm
Depth	306 mm

Environmental and real-life conditions

Ambient conditions

Degree of protection	IP00
Ambient temperature (operation)	-20 °C ... 50 °C
Ambient temperature (storage/transport)	-20 °C ... 70 °C

FLKM S135/S7/FLK50/PLC - Front adapter



2314736

<https://www.phoenixcontact.com/pc/products/2314736>

Standards and regulations

Standards/regulations	IEC 60664
	DIN EN 50178

Mounting

Mounting position	any
-------------------	-----

Notes

General	<p>The components for setting up an adapter carrier as in the application example (data sheet in the download area), which can be used to secure the migration adapter, can be obtained from Heitec AG based in Eckental-Eschenau, Germany. The following order numbers are required for carrier setup:</p> <ul style="list-style-type: none">3685.896 (2 pcs.)3684.629 (1 pc.)3684.562 (2 pcs.)3687.015 (1 unit pack)3684.610 (2 pcs.)3684.572 (2 pcs.)3684.881 (10 pcs.)3685.837 (10 pcs.)3685.832 (10 pcs.)
General	<p>For proper use, the specifications of the installation directive (see Downloads) must be observed. For applications or use with third-party products, the specifications, and the safety and warning instructions of the respective third-party manufacturer must also be met.</p>

FLKM S135/S7/FLK50/PLC - Front adapter

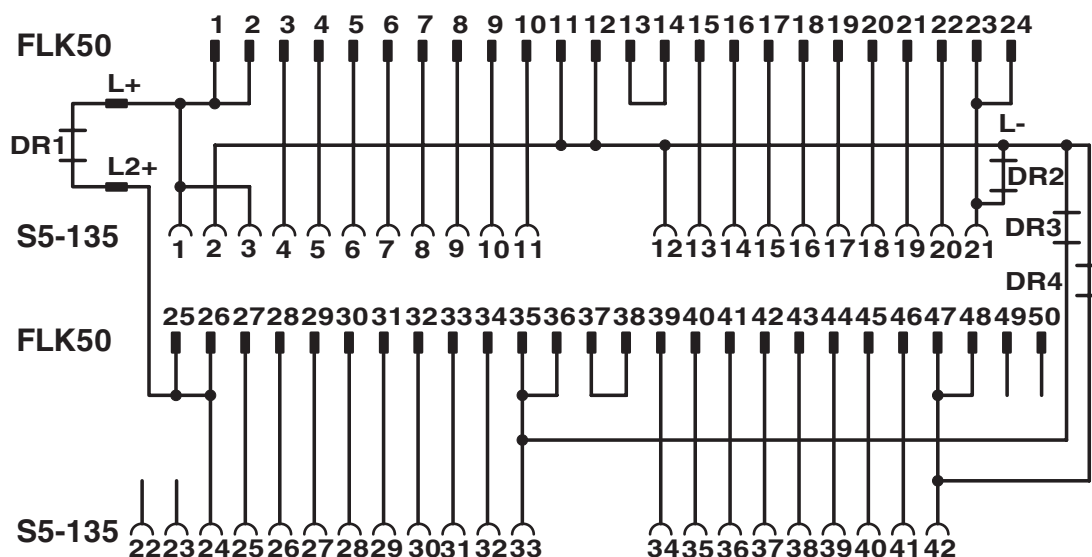


2314736

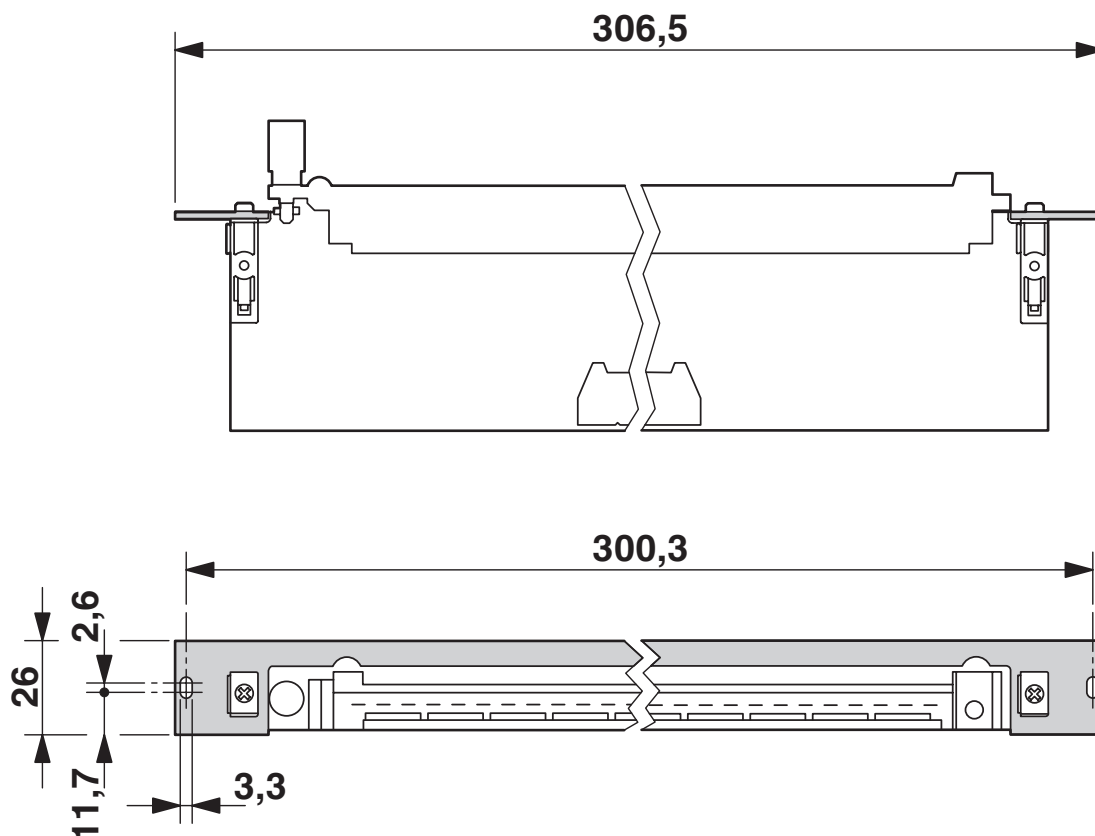
<https://www.phoenixcontact.com/pc/products/2314736>

Drawings

Circuit diagram



Dimensional drawing



FLKM S135/S7/FLK50/PLC - Front adapter



2314736

<https://www.phoenixcontact.com/pc/products/2314736>

Classifications

ECLASS

ECLASS-11.0	27242292
ECLASS-13.0	27242292

UNSPSC

UNSPSC 21.0	32151601
-------------	----------

FLKM S135/S7/FLK50/PLC - Front adapter



2314736

<https://www.phoenixcontact.com/pc/products/2314736>

Environmental product compliance

China RoHS	Environmentally friendly use period: unlimited = EFUP-e
	No hazardous substances above threshold values

Phoenix Contact 2024 © - all rights reserved
<https://www.phoenixcontact.com>

PHOENIX CONTACT GmbH & Co. KG
Flachmarktstraße 8
D-32825 Blomberg
+49 (0) 5235-3 00
info@phoenixcontact.com