

FLKM 14-PA-S300 - Front adapter



2299770

<https://www.phoenixcontact.com/pc/products/2299770>

Please be informed that the data shown in this PDF document is generated from our online catalog. Please find the complete data in the user documentation. Our general terms of use for downloads are valid.

VARIOFACE front adapter, for SIMATIC S 7-300, 2 x 8 channels can be connected.



Commercial data

Item number	2299770
Packing unit	1 pc
Minimum order quantity	1 pc
Product key	CK2117
Catalog page	Page 503 (C-5-2019)
GTIN	4017918880453
Weight per piece (including packing)	51.2 g
Weight per piece (excluding packing)	51.2 g
Customs tariff number	85369010
Country of origin	DE

FLKM 14-PA-S300 - Front adapter



2299770

<https://www.phoenixcontact.com/pc/products/2299770>

Technical data

Product properties

Product type	Front adapter
Product family	VARIOFACE

Insulation characteristics

Insulation	Functional insulation
------------	-----------------------

Insulation characteristics: Air clearances and creepage distances

Insulation	Functional insulation
Overvoltage category	II
Pollution degree	2

Electrical properties

Operating voltage (AC)	≤ 30 V AC
Operating voltage (DC)	≤ 60 V DC
Nominal operating mode	100% operating factor
Current (per branch)	≤ 1 A
Current (Voltage supply via IDC/FLK)	≤ 2 A
Current (Voltage supply via spade connection)	≤ 8 A

Air clearances and creepage distances

Rated insulation voltage	63 V
Rated surge voltage	0.6 kV (1.2/50 μs)

Supported controller SIEMENS S7-300 / ET 200 M

Suitable I/O card	6ES7321-1BH50-0AA0
	6ES7321-7BH01-0AB0
	6ES7321-1BH02-0AA0
	6ES7321-1BH10-0AA0
	6ES7322-1BH01-0AA0
	6ES7322-1BH10-0AA0
	6ES7322-8BF00-0AB0
	6ES7323-1BH01-0AA0
	6ES7331-7HF01-0AB0
	6ES7331-7KF02-0AB0
	6ES7331-7KB02-0AB0
	6ES7331-7TF01-0AB0
	6ES7332-5HD01-0AB0
	6ES7332-5HB01-0AB0
6ES7332-7ND02-0AB0	
6ES7332-8TF01-0AB0	
6ES7334-0CE01-0AA0	
6ES7334-0KE00-0AB0	

FLKM 14-PA-S300 - Front adapter



2299770

<https://www.phoenixcontact.com/pc/products/2299770>

	6ES7335-7HG01-0AB0
	6ES7338-4BC01-0AB0
	6ES7350-1AH03-0AE0
	6ES7351-1AH01-0AE0
	6ES7352-1AH02-0AE0
	6ES7353-1AH01-0AE0
	6ES7354-1AH01-0AE0
	6ES7355-0VH10-0AE0
	6ES7355-1VH10-0AE0

Connection data

Connection 1 (control level)

Connection method	Plug-in connection
Number of positions	20

Connection 2 (field level)

Connection in acc. with standard	IEC 60603-13
Connection method	IDC/FLK pin strip
Number of connections	2
Number of positions	14
Insertion/withdrawal cycles	> 50
Pitch	2.54 mm

Connection 3 (supply)

Connection method	Spade connection
Number of positions	4
Note	2,8 x 0,8

Dimensions

Item dimensions

Width	22.5 mm
Height	117 mm
Depth	19.39 mm

Environmental and real-life conditions

Ambient conditions

Degree of protection (Module)	IP00
Degree of protection (Installation location)	≥ IP54
Ambient temperature (operation)	-20 °C ... 50 °C
Ambient temperature (storage/transport)	-20 °C ... 50 °C
Altitude	≤ 2000 m

Standards and regulations

FLKM 14-PA-S300 - Front adapter



2299770

<https://www.phoenixcontact.com/pc/products/2299770>

Air clearances and creepage distances

Standards/regulations	EN IEC 60664-1
-----------------------	----------------

Mounting

Mounting type	Plug-in mounting
Mounting position	any

Notes

General	For proper use, the specifications of the installation directive (see Downloads) must be observed. For applications or use with third-party products, the specifications, and the safety and warning instructions of the respective third-party manufacturer must also be met.
General	<p>To prevent short circuits, all wire bridges on the following I/O cards are to be separated.</p> <p>There may not be any voltage supply at the front adapter.</p> <p>6ES7 321-1BH50-0AA0 6ES7 321-7BH01-0AB0 6ES7 322-8BF00-0AB0 6ES7 331-7KF02-0AB0 6ES7 331-7HF01-0AB0 6ES7 331-7KB02-0AB0 6ES7 331-7TF01-0AB0 6ES7 332-5HD01-0AB0 6ES7 332-5HB01-0AB0 6ES7 332-7ND02-0AB0 6ES7 334-0CE01-0AA0 6ES7 334-0KE00-0AB0 6ES7 335-7HG01-0AB0 6ES7 338-4BC01-0AB0 6ES7 350-1AH03-0AE0 6ES7 351-1AH01-0AE0 6ES7 352-1AH02-0AE0 6ES7 353-1AH01-0AE0 6ES7 354-1AH01-0AE0 6ES7 355-0VH10-0AE0 6ES7 355-1VH10-0AE0</p>

FLKM 14-PA-S300 - Front adapter

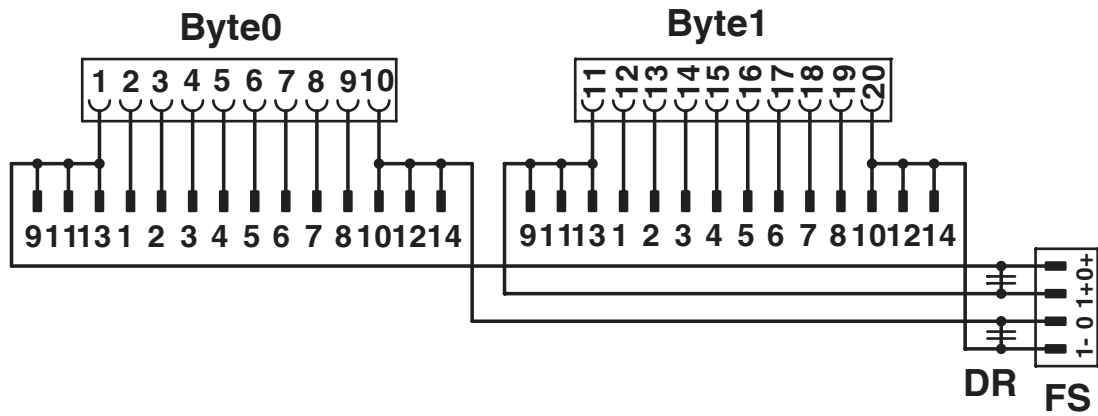


2299770

<https://www.phoenixcontact.com/pc/products/2299770>

Drawings

Circuit diagram



FLKM 14-PA-S300 - Front adapter





2299770

<https://www.phoenixcontact.com/pc/products/2299770>

Approvals

To download certificates, visit the product detail page: <https://www.phoenixcontact.com/pc/products/2299770>

 cUL Recognized Approval ID: FILE E 238705				
	Nominal voltage U_N	Nominal current I_N	Cross section AWG	Cross section mm^2
	125 V	1 A	-	-

 UL Recognized Approval ID: FILE E 238705				
	Nominal voltage U_N	Nominal current I_N	Cross section AWG	Cross section mm^2
	125 V	1 A	-	-

cULus Recognized				
-------------------------	--	--	--	--

FLKM 14-PA-S300 - Front adapter



2299770

<https://www.phoenixcontact.com/pc/products/2299770>

Classifications

ECLASS

ECLASS-11.0	27242292
ECLASS-12.0	27242292
ECLASS-13.0	27242292

ETIM

ETIM 9.0	EC002584
----------	----------

UNSPSC

UNSPSC 21.0	32151600
-------------	----------

FLKM 14-PA-S300 - Front adapter



2299770

<https://www.phoenixcontact.com/pc/products/2299770>

Environmental product compliance

China RoHS	Environmentally friendly use period: unlimited = EFUP-e
	No hazardous substances above threshold values

Phoenix Contact 2024 © - all rights reserved
<https://www.phoenixcontact.com>

PHOENIX CONTACT GmbH & Co. KG
Flachmarktstraße 8
D-32825 Blomberg
+49 (0) 5235-3 00
info@phoenixcontact.com