

PLC-V8/D15S/IN - System connection



2296074

<https://www.phoenixcontact.com/pc/products/2296074>

Please be informed that the data shown in this PDF document is generated from our online catalog. Please find the complete data in the user documentation. Our general terms of use for downloads are valid.



V8 adapter for 8 x PLC-INTERFACE (6.2 mm), controller: PLC system cabling of input cards, connection 1: D-SUB pin strip 1x 15-position, connection 2: Plug-in connection (Can be snapped onto 8x PLC-INTERFACE terminals), connection 3: Screw connection 1x 2-position, number of channels: 8, control logic: positive switching

Commercial data

Item number	2296074
Packing unit	1 pc
Minimum order quantity	1 pc
Product key	CK21D2
Catalog page	Page 427 (C-5-2019)
GTIN	4017918189129
Weight per piece (including packing)	110.2 g
Weight per piece (excluding packing)	110.2 g
Customs tariff number	85369010
Country of origin	DE

Technical data

Product properties

Product type	Interface module
Product family	PLC-INTERFACE
Number of positions	15
No. of channels	8

Insulation characteristics

Insulation	Functional insulation
------------	-----------------------

Insulation characteristics: Air clearances and creepage distances

Insulation	Functional insulation
Overvoltage category	II
Pollution degree	2

Electrical properties

Operating voltage range	18 V DC ... 33.6 V DC
Current (per branch)	≤ 1 A
Current (Power supply)	≤ 3 A

Air clearances and creepage distances

Rated insulation voltage	50 V
Rated surge voltage	0.5 kV (1.2/50 μs)

Supported controller universal

Suitable I/O card	universal
-------------------	-----------

Connection data

Connection 1 (control level)

Connection in acc. with standard	IEC 60807-2
Connection method	D-SUB pin strip
Screw thread	UNC 4-40
Number of connections	1
Number of positions	15
Insertion/withdrawal cycles	> 500
Pitch	2.74 mm

Connection 2 (field level)

Connection method	Plug-in connection
Note	Can be snapped onto 8x PLC-INTERFACE terminals

Connection 3 (supply)

Connection method	Screw connection
Stripping length	8 mm
Screw thread	M3

PLC-V8/D15S/IN - System connection



2296074

<https://www.phoenixcontact.com/pc/products/2296074>

Number of connections	1
Number of positions	2
Conductor cross section rigid	0.2 mm ² ... 4 mm ²
Conductor cross-section rigid (2 conductors with same cross section)	0.2 mm ² ... 1.5 mm ²
Conductor cross section flexible	0.2 mm ² ... 2.5 mm ²
	0.25 mm ² ... 2.5 mm ² (Ferrule without plastic sleeve)
	0.25 mm ² ... 2.5 mm ² (Ferrule with plastic sleeve)
Conductor cross section flexible (2 conductors with same cross section)	0.2 mm ² ... 1.5 mm ²
	0.25 mm ² ... 0.75 mm ² (Ferrule without plastic sleeve)
	0.5 mm ² ... 1.5 mm ² (TWIN ferrule with plastic sleeve)
Conductor cross section AWG	24 ... 12
Tightening torque	0.5 Nm ... 0.6 Nm
Pitch	5 mm

Signaling

Status display present	Yes
Operating voltage display	Green LED

Dimensions

Item dimensions

Width	49.92 mm
Height	41 mm
Depth	49.86 mm

Material specifications

Color	gray (RAL 7042)
Flammability rating according to UL 94	V0
Housing insulation material	Polyamide 6.6 green

Environmental and real-life conditions

Ambient conditions

Degree of protection (Module)	IP20
Degree of protection (Installation location)	≥ IP54
Ambient temperature (operation)	-40 °C ... 70 °C
Ambient temperature (storage/transport)	-40 °C ... 70 °C
Altitude	≤ 2000 m

Approvals

CE

Certificate	CE-compliant
-------------	--------------

UKCA

Certificate	UKCA-compliant
-------------	----------------

PLC-V8/D15S/IN - System connection



2296074

<https://www.phoenixcontact.com/pc/products/2296074>

UL, USA/Canada

Identification	Class I, Div. 2, Groups A, B, C, D T4
----------------	---------------------------------------

UL, Canada

Identification	Class I, Zone 2, Ex ec IIC Gc T4 X
----------------	------------------------------------

UL, USA

Identification	Class I, Zone 2, AEx ec IIC T4
----------------	--------------------------------

Shipbuilding approval

Certificate	TAE0000196
-------------	------------

DNV GL data

Temperature	D
Humidity	A
Vibration	C
EMC	B
Enclosure	Required protection according to the Rules shall be provided upon installation on board

EMC data

Low Voltage Directive	Conformance with Low Voltage Directive
Electromagnetic compatibility	Conformance with EMC directive

Standards and regulations

Air clearances and creepage distances

Standards/regulations	EN IEC 60664-1
-----------------------	----------------

Mounting

Mounting type	Plug-on assembly
Assembly note	in rows with zero spacing
Mounting position	any

Notes

Notes on operation	For proper use, the specifications of the installation directive (see Downloads) must be observed. For applications or use with third-party products, the specifications, and the safety and warning instructions of the respective third-party manufacturer must also be met.
--------------------	--

PLC-V8/D15S/IN - System connection

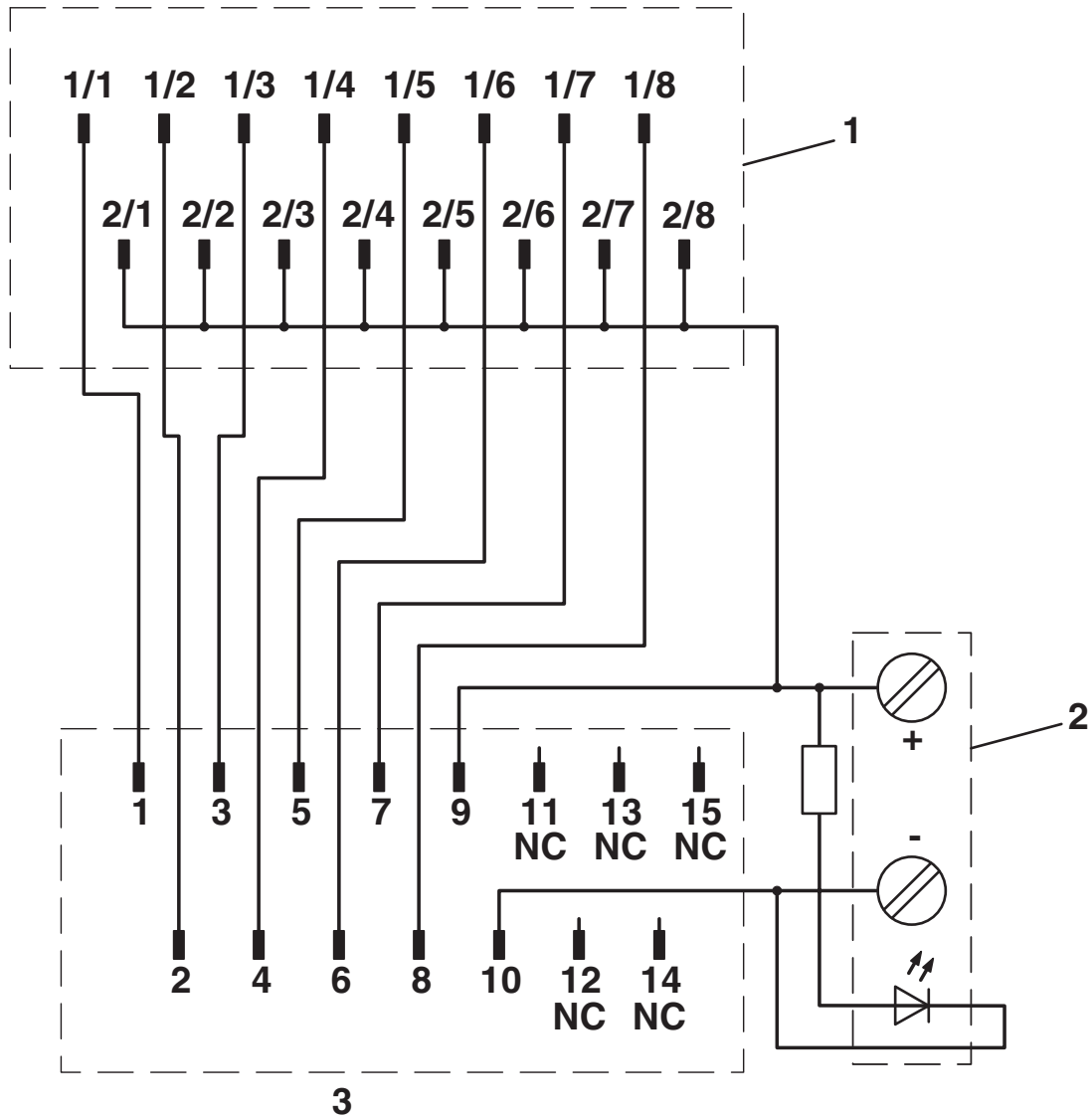


2296074

<https://www.phoenixcontact.com/pc/products/2296074>

Drawings

Circuit diagram



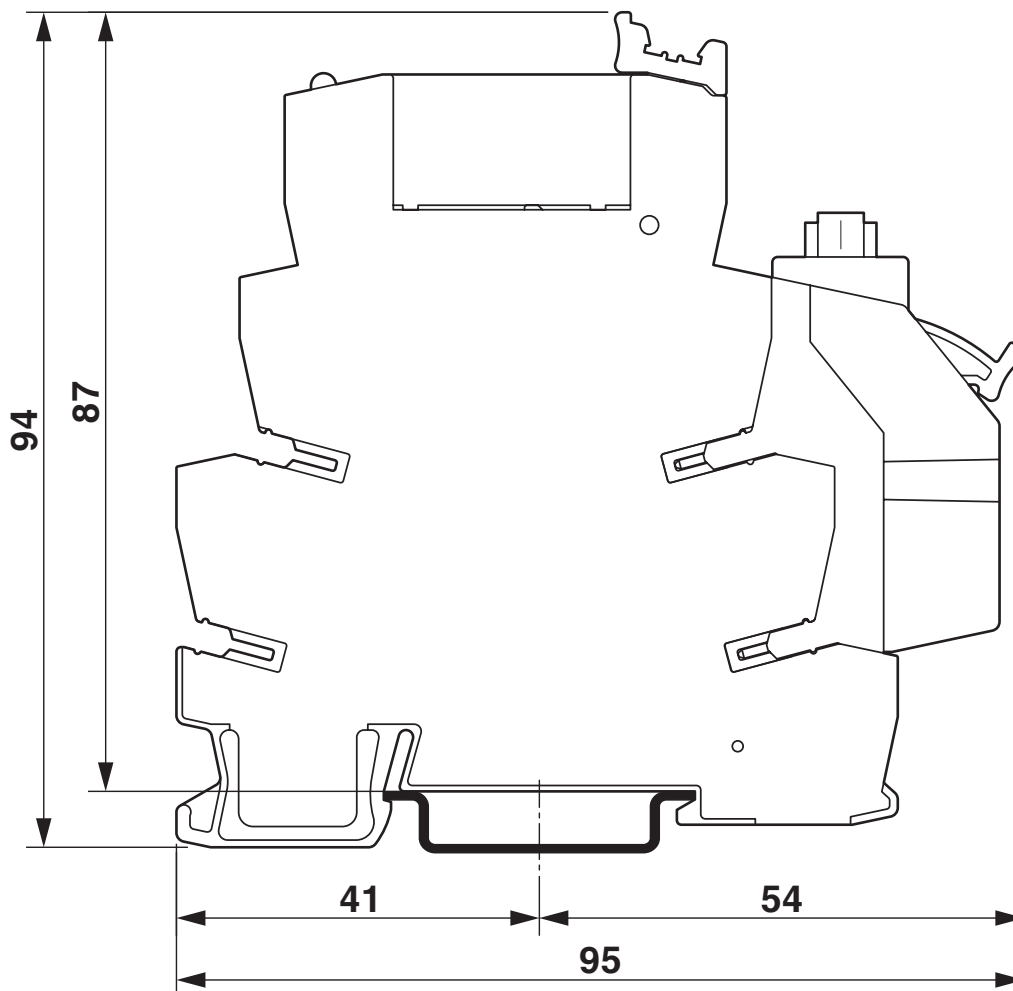
PLC-V8/D15S/IN - System connection



2296074

<https://www.phoenixcontact.com/pc/products/2296074>

Dimensional drawing



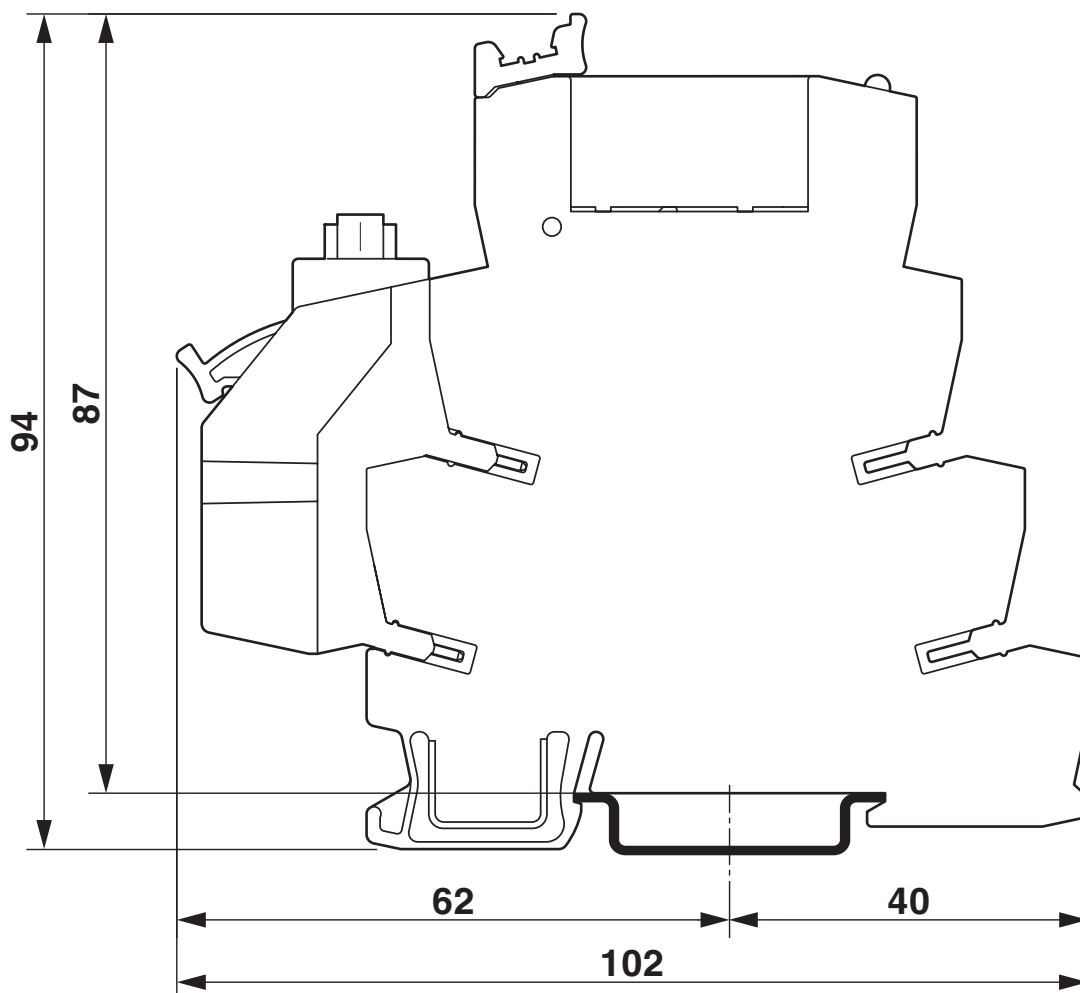
PLC-V8/D15S/IN - System connection



2296074

<https://www.phoenixcontact.com/pc/products/2296074>

Dimensional drawing



PLC-V8/D15S/IN - System connection





2296074

<https://www.phoenixcontact.com/pc/products/2296074>


Approvals


To download certificates, visit the product detail page: <https://www.phoenixcontact.com/pc/products/2296074>


 cUL Recognized Approval ID: FILE E 238705	Nominal voltage U_N	Nominal current I_N	Cross section AWG	Cross section mm^2
	24 V	1 A	-	-


 UL Recognized Approval ID: FILE E 238705	Nominal voltage U_N	Nominal current I_N	Cross section AWG	Cross section mm^2
	24 V	1 A	-	-

 DNV GL Approval ID: TAE0000196

 UL Listed Approval ID: FILE E 172140
--

 cUL Listed Approval ID: FILE E 172140

 cUL Listed Approval ID: FILE E 199827

 UL Listed Approval ID: FILE E 199827
--

cULus Recognized

cULus Listed

cULus Listed

PLC-V8/D15S/IN - System connection



2296074

<https://www.phoenixcontact.com/pc/products/2296074>

Classifications

ECLASS

ECLASS-11.0	27141152
ECLASS-13.0	27141152
ECLASS-12.0	27141152

ETIM

ETIM 9.0	EC002780
----------	----------

UNSPSC

UNSPSC 21.0	39121400
-------------	----------

2296074

<https://www.phoenixcontact.com/pc/products/2296074>

Environmental product compliance

EU RoHS

Fulfills EU RoHS substance requirements	Yes
Exemption	6(c)

China RoHS

Environment friendly use period (EFUP)	EFUP-50
	An article-related China RoHS declaration table can be found in the download area for the respective article under "Manufacturer declaration". For all articles with EFUP-E, no China RoHS declaration table issued and required.

EU REACH SVHC

REACH candidate substance (CAS No.)	Hexahydromethylphthalic anhydride(CAS: n/a)
	Lead(CAS: 7439-92-1)
SCIP	727aa8bf-1aec-46a4-abb8-35c4b31561fb

Phoenix Contact 2024 © - all rights reserved
<https://www.phoenixcontact.com>

PHOENIX CONTACT GmbH & Co. KG
Flachmarktstraße 8
D-32825 Blomberg
+49 (0) 5235-3 00
info@phoenixcontact.com