



Push-button, flush, blue

Part no.

M22-D-B

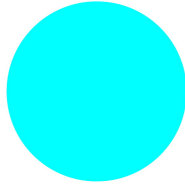
Article no.

216600



Bezel gold-plated →#274150

Delivery programme

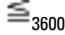
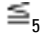
Range			RMQ-Titan (drilling dimensions 22.5 mm)
Basic function			Pushbutton actuators
Single unit/Complete unit			Single unit
Description			Flush
Function			momentary
Button plate			
Front ring			Front ring: titanium
Connection to SmartWire-DT			yes

Approbationen

Product Standards
UL File No.
UL CCN
CSA File No.
CSA Class No.
NA Certification
Degree of Protection

IEC/EN 60947-5; UL 508; CSA-C22.2 No. 14-05; CSA-C22.2 No. 94-91; CE marking
E29184
NKCR
012528
3211-03
UL Listed, CSA certified
UL/CSA Type 3R, 4X, 12, 13

General

Standards			IEC/EN 60947 VDE 0660
Lifespan, mechanical	Operations	x 10 ⁶	> 5
Operating frequency	Operations/h		 3600
Actuating force		n	 5
Protection type			IP67, IP69K
Climatic proofing			Damp heat, constant to IEC 60068-2-78 Damp heat, cyclic to IEC 60068-2-30
Ambient temperature		°C	
Open		°C	- 25 - + 70
Storage		°C	- 40 - + 80
Mounting position			As required
Mechanical shock resistance		g	30 Shock duration 11 ms Sinusoidal according to IEC 60068-2-27
Indoor and protected outdoor installation			

Technische Daten nach ETIM 4.0

Lens design			Round
Number of locations			1
Protection type (IP), at front			IP67
Momentary			YES
Color button			blue
Hole diameter		mm	22

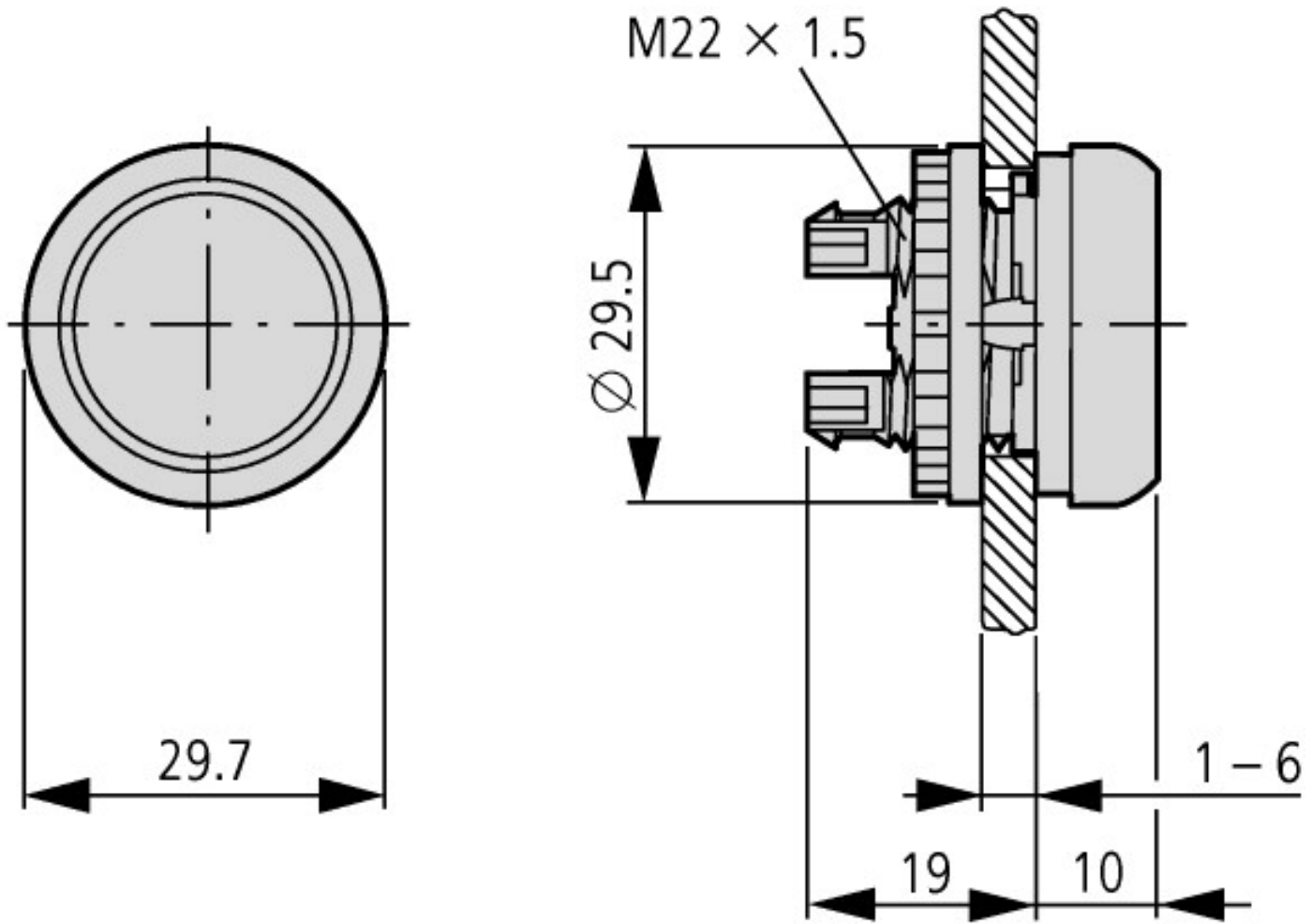
Width of opening		mm	22
Design of button			flush
Color bezel			Chrome
With bezel			YES
Height meter opening		mm	6
Switching function latching			No
Suitable for illumination			No
Material front ring			Insulated material

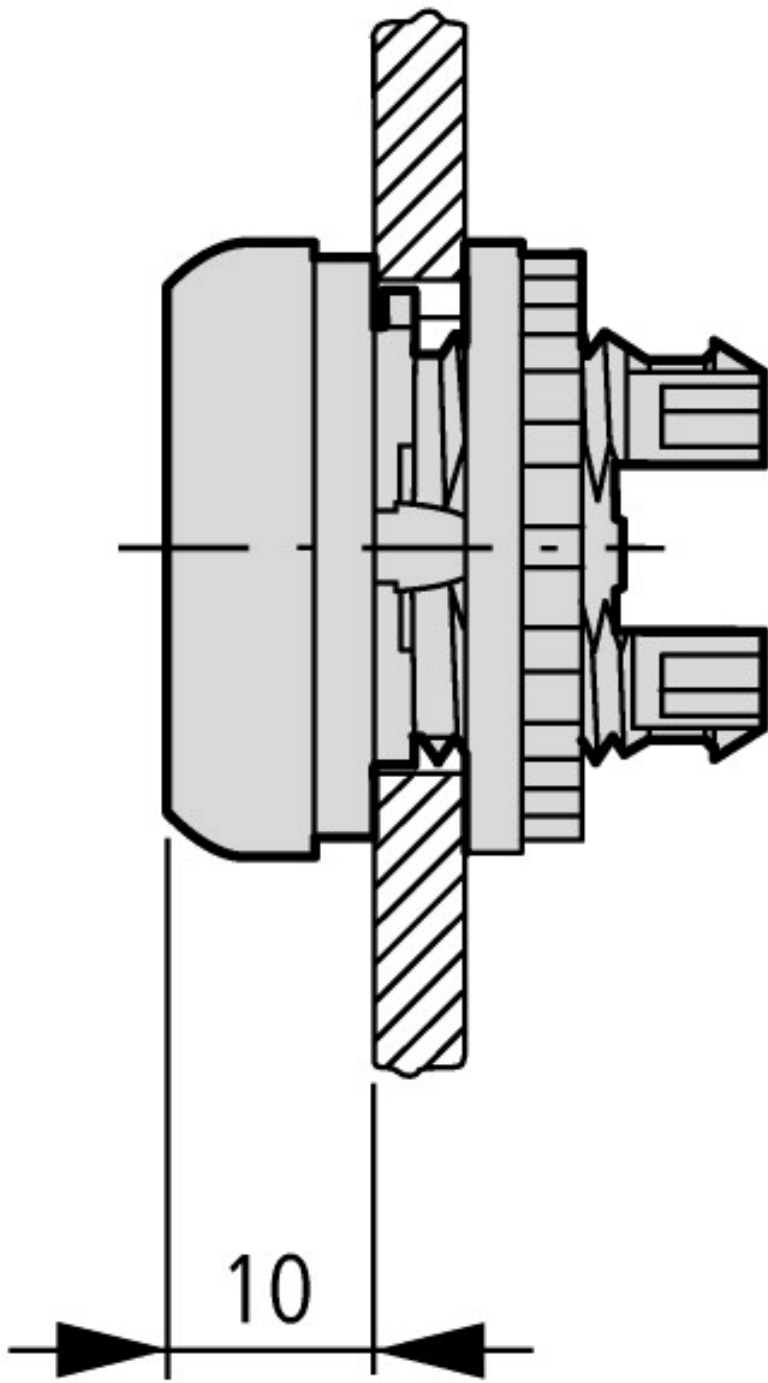
CAD-Daten

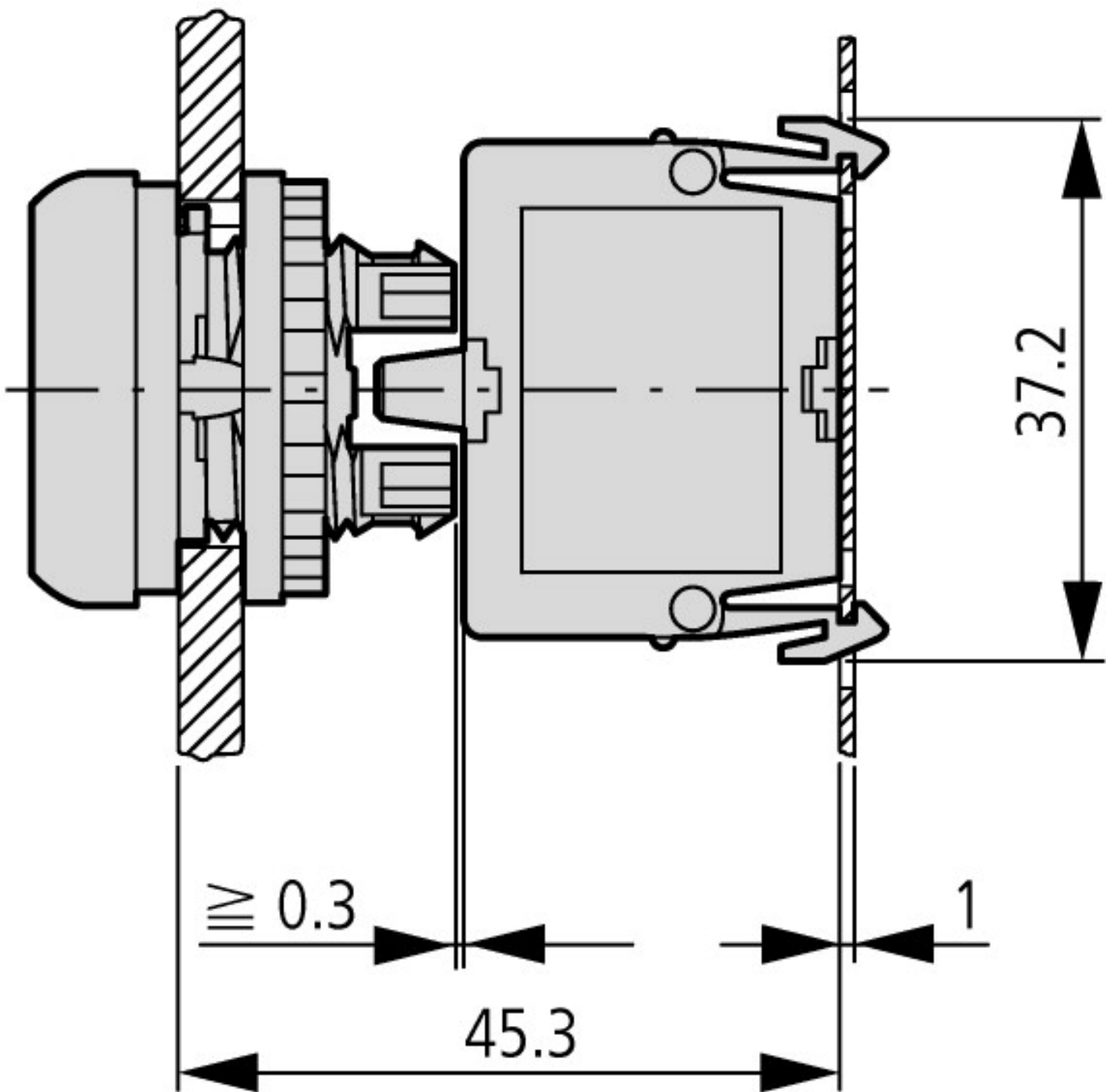
Product standards CAD data:

<http://eaton-moeller.partcommunity.com>

Dimensions







Actuating and indicator elements
Base fixing

Additional product information (links)

AWA1160-1745 (IL04716002Z) The RMQ-Titan system

ftp://ftp.moeller.net/DOCUMENTATION/AWA_INSTRUCTIONS/17450510.pdf