



NEMA Motor Data

Ordering data : **1LE2221-4CB21-2AA3**

Client order no. :
Order no. :
Offer no. :
Remarks :

Item no. :
Consignment no. :
Project :

Nameplate Data	Mounting and motor protection
----------------	-------------------------------

Type	GP100 - NEMA Premium Efficiency		
HP	150.0	Rating	Cont.
Voltage	(12) 460V STD, 60Hz	Ins. Class	Class F (Standard)
Amps	170.0 A	S.F.	1.15
FL RPM	1785	Amb. Temp.	40 deg C
FL Efficiency	95.8 %	Temp. Rise	Class B
FRAME	445T	kVA Code	G
DE AFBMA	90RU03M0	NEMA Des	B
ODE AFBMA	80BC03JP30	Mtr WT	1865.03
60 Hertz	3 Ph	TEFC	IP 54

Type of construction	(A) Foot mounted - End shield
Motor protection	(A) No winding protection
Terminal box design	(3) Mounting - F-1

Bearing Data		
--------------	--	--

	DE	ODE
Bearing Size	NU 318	6316 Z C3 S0
Bearing Type	Roller Bearing	Ball Bearing
AFBMA	90RU03M0	80BC03JP30

Typical Performance Data					
--------------------------	--	--	--	--	--

Load	No Load	1/2	3/4	Full Load	LRC
Efficiency		95.7 %	96.0 %	95.8 %	
Power Factor		78.0	84.0	86.0	
Current (A)	52.0 A	94.1 A	130.6 A	170.0 A	1085.0 A
Inverter Duty	VT	20:1	CT	4:1	

Mechanical Data					
-----------------	--	--	--	--	--

SAFE STALL TIME	HOT (s)	20	COLD (s)	30
Rtr wt (lbs)	468.49	Rtr WK2	44.9	
FLT (lb-ft)	441.000	LRT	150	BDT 200
Ext Load Inertia (WK2) Capability	105.0 lb-ft ²			

Typical Noise Data										
--------------------	--	--	--	--	--	--	--	--	--	--

A-weighted Sound	Octave Band Center Frequencies Hertz (Hz)									
Pressure Level	125	250	500	1000	2000	4000	8000	SPL	73	
at 3 feet	54	64	70	67	66	59	49	SPwrL	84	

Wiring Connection Information					
-------------------------------	--	--	--	--	--

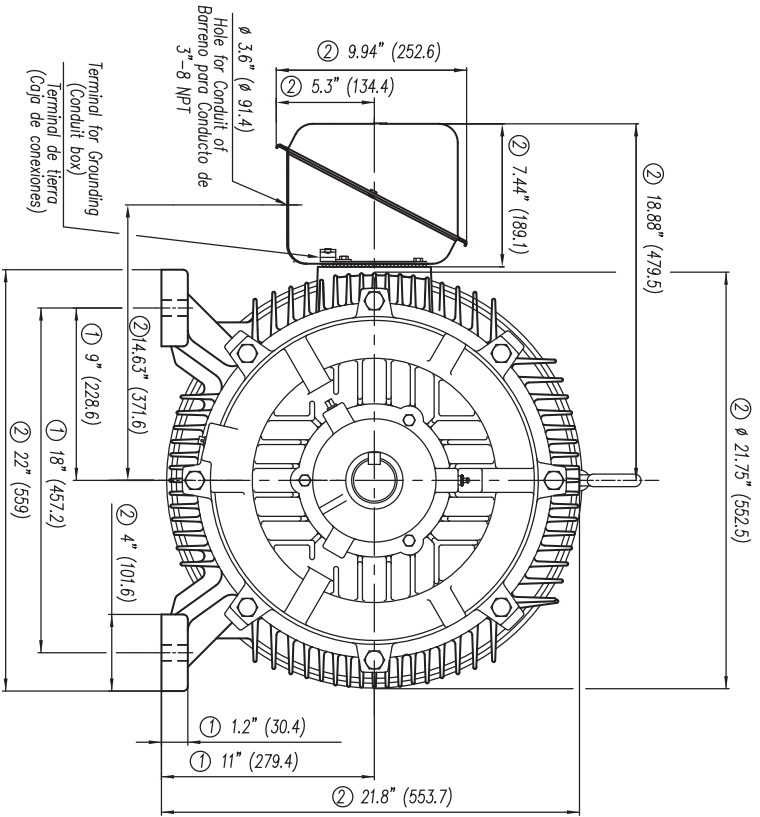
Description	3 PHASE - 3 LEAD - DELTA				
Voltage	L1	L2	L3	Connected together	
-----	-----	-----	-----	-----	-
-----	T1	T2	T3	-----	Δ

Special design :

Lubrication Information	
-------------------------	--

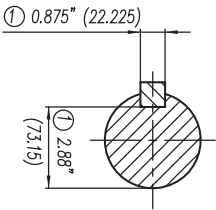
Manufacturer	Mobil Polyrex EM or equal
Type	Polyurea (standard)
DE Capacity (oz.)	14.50
ODEnd Capacity (oz.)	7.50

Relubricate bearings every six months (more frequent if conditions require). See Instruction Manual.



- ① Tolerancias According to NEMA Std.
- ② All these dimensions corresponding to assemblies and castings shall have a tolerance as per DIN standard 1686-GTB-19.
- ③ Not According to NEMA Std.

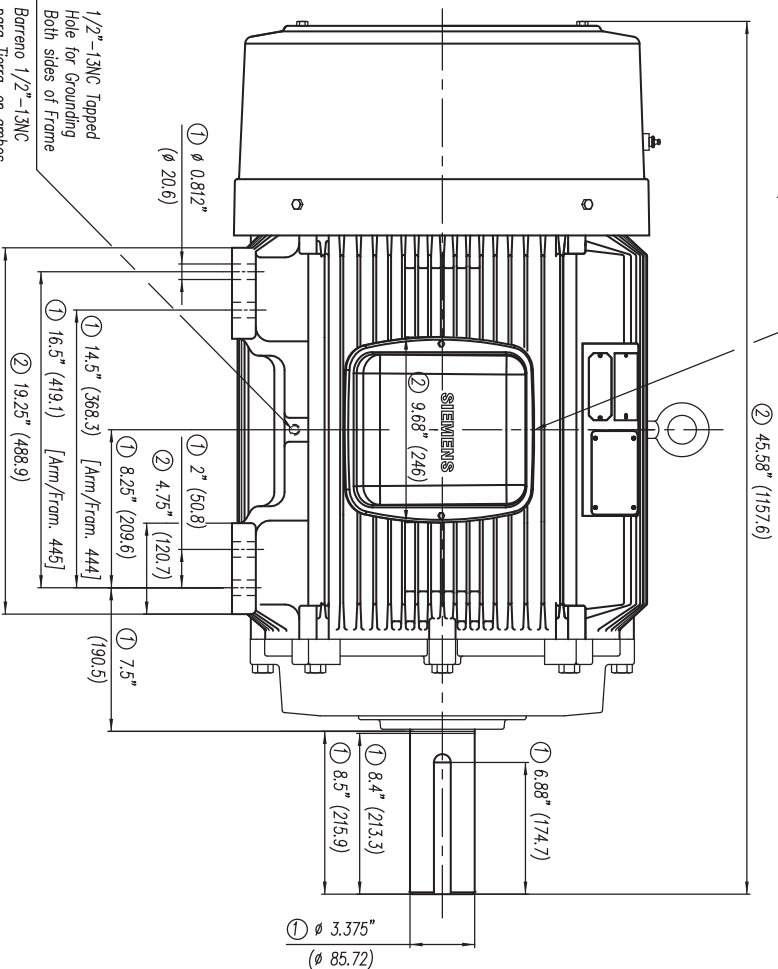
- ① Tolerancias acorde a NEMA Std.
- ② Todos estos dimensiones correspondientes a ensambles y fundición en bruto tendrán una tolerancia según DIN 1686-GTB-19
- ③ No Acorde a NEMA Std.



Keyseat detail
Detalle Cuñero

1/2"-13NC Tapped Hole for Grounding Both sides of Frame

Barreno 1/2"-13NC para Tierra, en ambos lados de la Carcasa



Conduit Box may be rotated in steps of 90 Degrees. La caja de conexiones puede ser rotada en pasos de 90

②

CERTIFIED PRINT / CERTIFICACION

GASTHER/CLIENTE		SOPORTE/CLIENTE	
PROYECTO/OPERA		TIPO/PRO	
№	PRO	FRASE/OPERA	WKS
			ANOS
			24

Tol. in mm acc. to/Tol. en mm. según DIN-1686-GTB-19		European Projection/Proyeccion Europea		Date/Fecha		Name/Nombre		New NEMA Motors (T) Long shaft/ Espiga Larga		Scale/Escala	
Over/desde	To/hasta	Dim. in inches/dim. en pulg.	Modific.	Drawn/Elab.	08/04/10	A. Perez		Type/ Tipo:	GP10 y GP100 444/445T FRAME (Epoxy & mHP)	---	
18	30	± 4,5		Check/Rev.	08/04/10	A. Red		Std.Crd./Aut			
30	50	± 5									
50	80	± 5,5									
80	120	± 6									
120	180	± 6,5									
180	250	± 7									
250	315	± 7,5									
315	400	± 8									
400	500	± 8,5									
500	630	± 9,5									
630	800	± 10									

SIEMENS
GUADALAJARA FACTORY

Outline/Dimensions
3MSE 750 1501

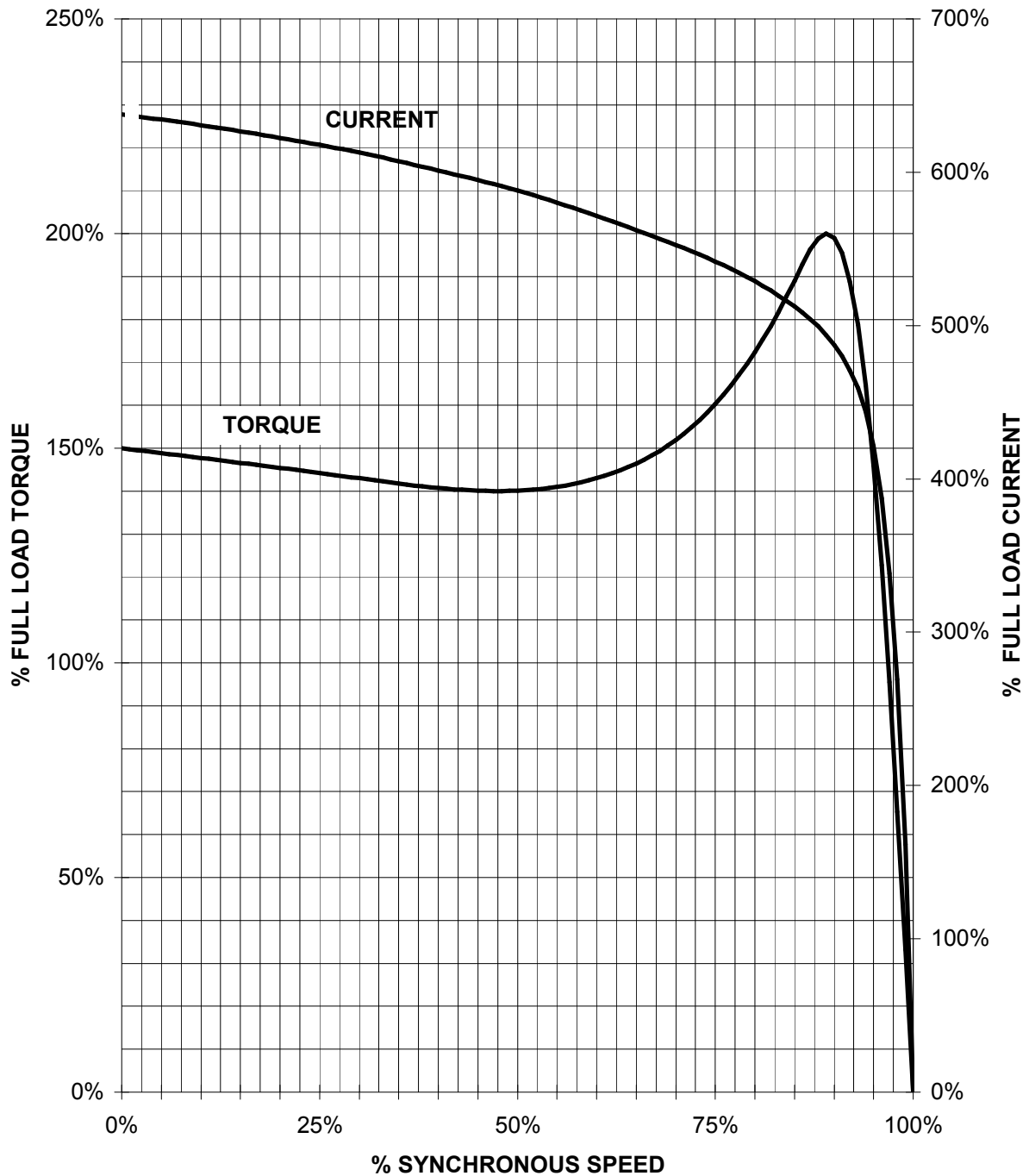
Ref: 3MSE 750 0636

Rep. /

SIEMENS INDUSTRY, INC.

HP 150 VOLTS < 600V RPM 1800 TYPE GP100
HZ 60 PHASE 3 FRAME 445T NEMA B

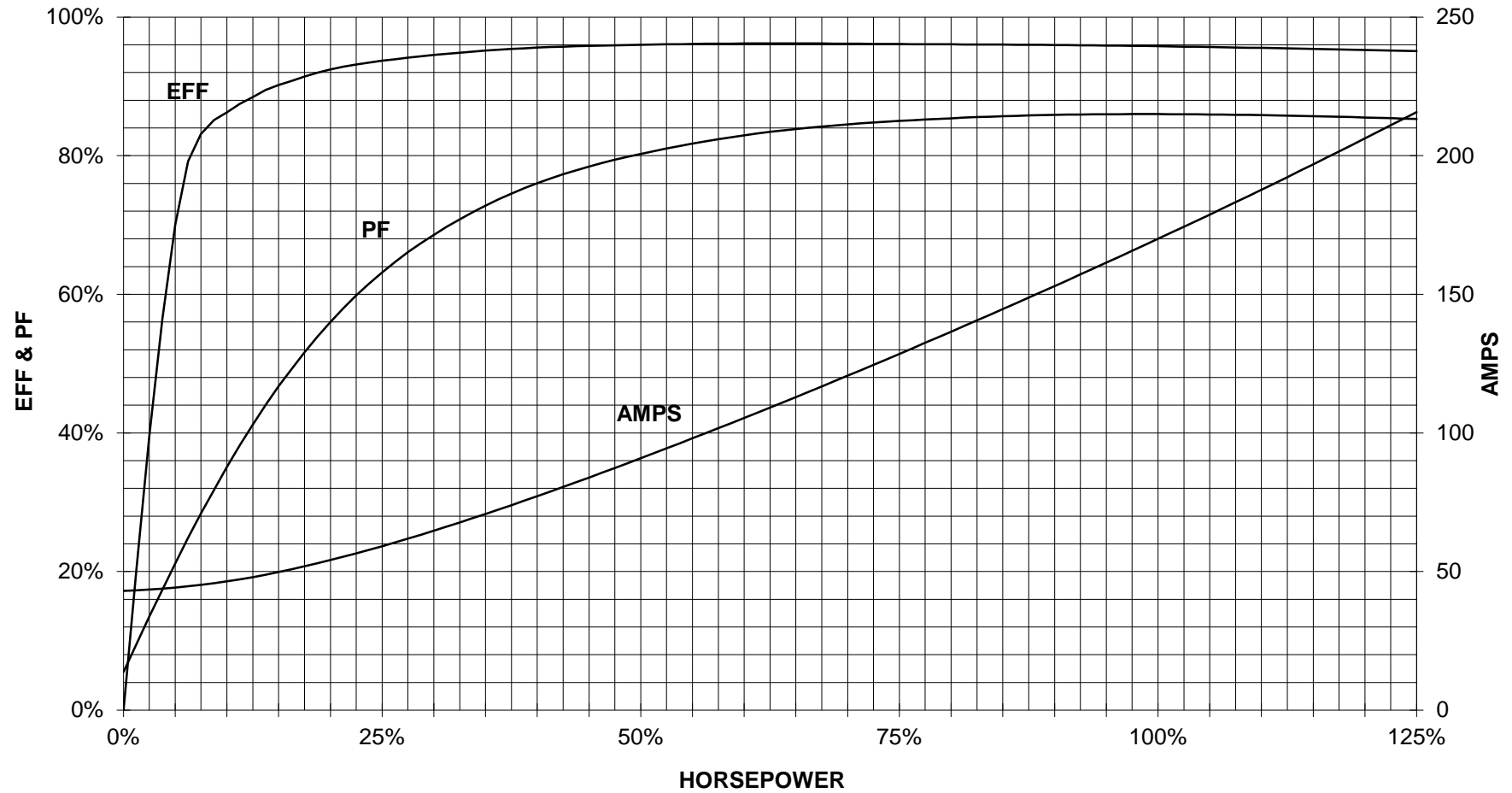
TORQUE & CURRENT VS. SPEED



CUSTOMER: _____ ORDER#: _____

150 HP 1800 RPM 445T FRAME 460 VOLTS 3 PHASE NEMA DESIGN B

SIEMENS INDUSTRY, INC.
PERFORMANCE CURVE
GP100



CUSTOMER: _____ ORDER #: _____

PERFORMANCE BASED ON DESIGN CALCULATIONS. SUBJECT TO CHANGE WITHOUT NOTICE.

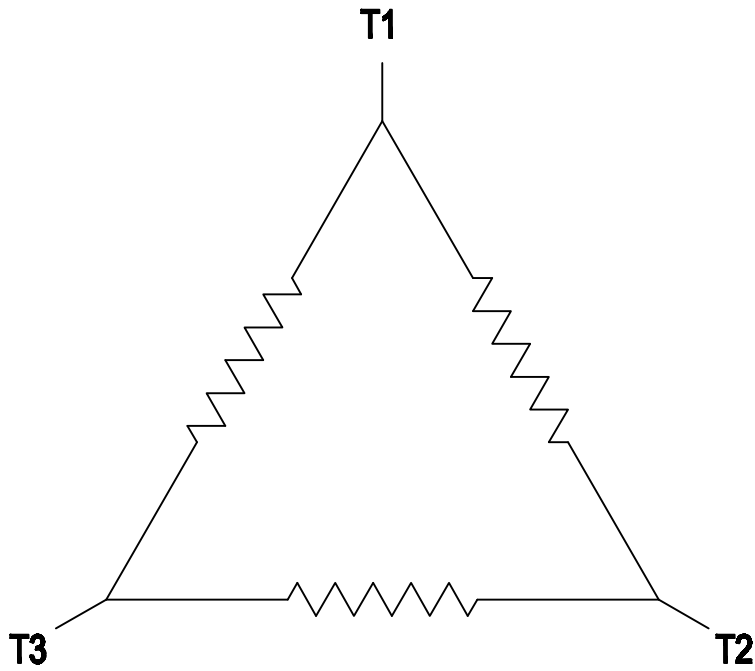
REV. 1

2

1

3 PHASE - 3 LEADS - DELTA

L1	L2	L3	CONN.
T1	T2	T3	△



B

B

A

A

THIS IS A CAD DRAWING
DO NOT MAKE MANUAL CHANGES

01 | 09-27-07

TYPE

-CONFIDENTIAL-

PROPERTY OF

Siemens Energy & Automation, Inc.
Industrial Motor Division - Little Rock, AR

FRAME

HP

NAME

WIRING DIAGRAM

VOLTS

RPM

HZ

PH

3

Customer

DRAWN 9.24.07

DATE JRH

CHECKED

DATE

APP

DATE

SHEET

1 OF 1

Sim. To

PART NO.

51-382-114-504

A

2

1