



## NEMA Motor Data

Ordering data : **1LE2221-4CB11-2AA3**

Client order no. :  
Order no. :  
Offer no. :  
Remarks :

Item no. :  
Consignment no. :  
Project :

Nameplate Data	Mounting and motor protection
----------------	-------------------------------

Type	GP100 - NEMA Premium Efficiency		
HP	125.0	Rating	Cont.
Voltage	(12) 460V STD, 60Hz	Ins. Class	Class F (Standard)
Amps	143.0 A	S.F.	1.15
FL RPM	1785	Amb. Temp.	40 deg C
FL Efficiency	95.4 %	Temp. Rise	Class B
FRAME	444T	kVA Code	G
DE AFBMA	90RU03M0	NEMA Des	B
ODE AFBMA	80BC03JP30	Mtr WT	1590.03
60 Hertz	3 Ph	TEFC	IP 54

Type of construction	( A ) Foot mounted - End shield
Motor protection	(A) No winding protection
Terminal box design	(3) Mounting - F-1

Bearing Data		
--------------	--	--

	DE	ODE
Bearing Size	NU 318	6316 Z C3 S0
Bearing Type	Roller Bearing	Ball Bearing
AFBMA	90RU03M0	80BC03JP30

Typical Performance Data					
--------------------------	--	--	--	--	--

Load	No Load	1/2	3/4	Full Load	LRC
Efficiency		95.4 %	95.6 %	95.4 %	
Power Factor		78.0	84.0	86.0	
Current (A)	45.0 A	78.6 A	109.3 A	143.0 A	908.0 A
Inverter Duty	VT	20:1	CT	4:1	

Mechanical Data				
-----------------	--	--	--	--

SAFE STALL TIME	HOT (s)	20	COLD (s)	25
Rtr wt (lbs)	345.26	Rtr WK2	24.6	
FLT (lb-ft)	368.000	LRT	160	BDT 200
Ext Load Inertia (WK2) Capability	105.0 lb-ft <sup>2</sup>			

Typical Noise Data									
--------------------	--	--	--	--	--	--	--	--	--

A-weighted Sound	Octave Band Center Frequencies Hertz (Hz)								
Pressure Level	125	250	500	1000	2000	4000	8000	SPL	75
at 3 feet	53	64	73	68	66	61	51	SPwrL	86

Wiring Connection Information					
-------------------------------	--	--	--	--	--

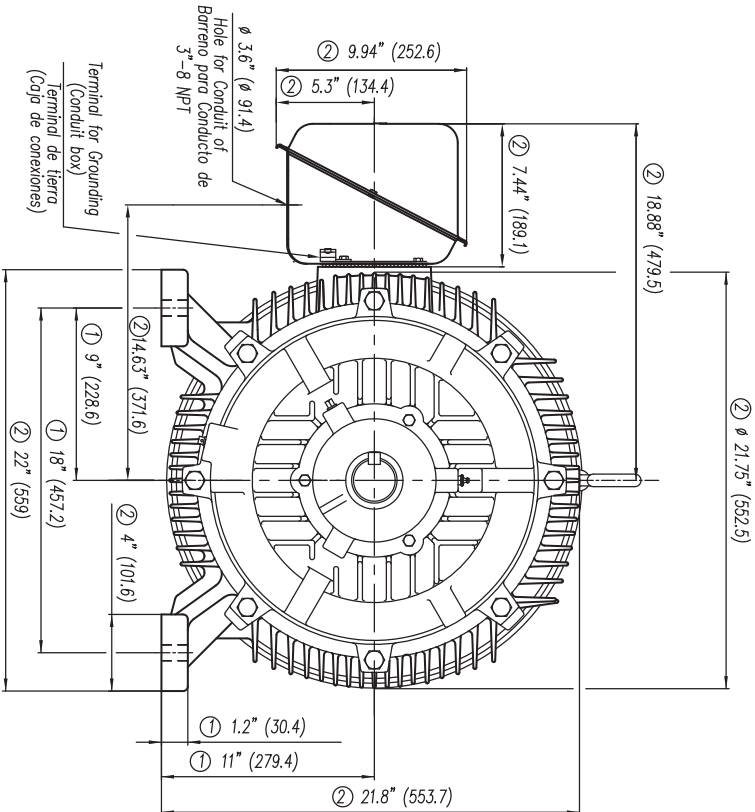
Description	3 PHASE - 3 LEAD - DELTA				
Voltage	L1	L2	L3	Connected together	
-----	-----	-----	-----	-----	-
-----	T1	T2	T3	-----	Δ

Special design :
------------------

Lubrication Information	
-------------------------	--

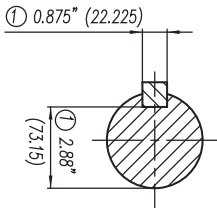
Manufacturer	Mobil Polyrex EM or equal
Type	Polyurea (standard)
DE Capacity (oz.)	14.50
ODEnd Capacity (oz.)	7.50

Relubricate bearings every six months (more frequent if conditions require). See Instruction Manual.



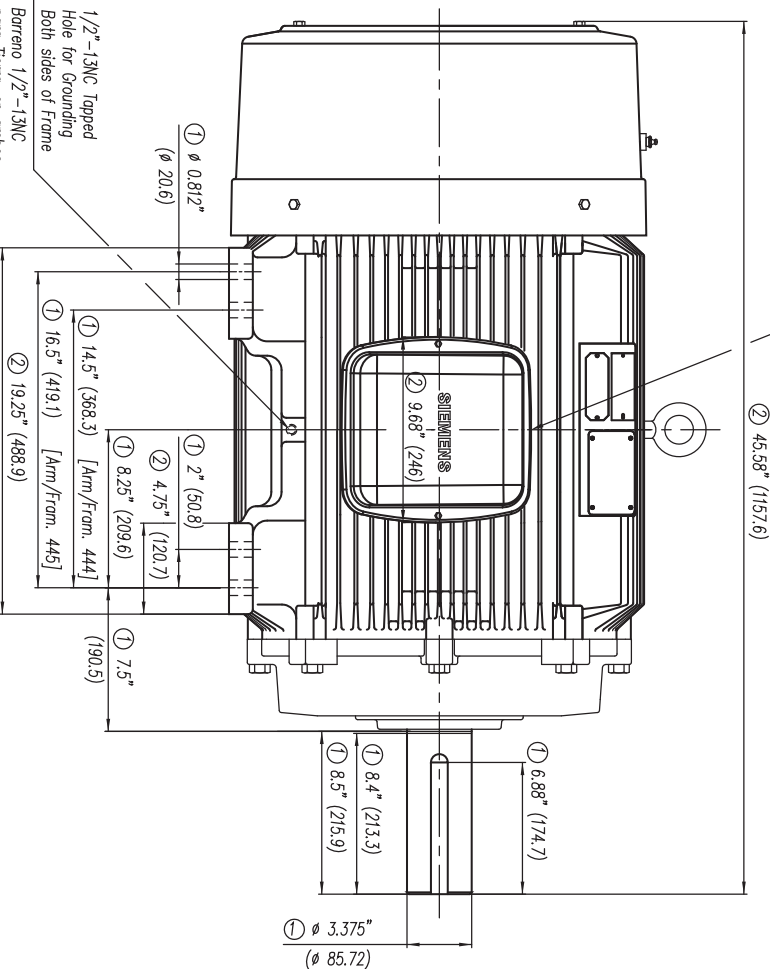
- ① Tolerancias According to NEMA Std.
- ② All these dimensions corresponding to assemblies and castings shall have a tolerance as per DIN standard 1686-GTB-19.
- ③ Not According to NEMA Std.

- ① Tolerancias acorde a NEMA Std.
- ② Todos estos dimensiones correspondientes a ensambles y fundición en bruto tendrán una tolerancia según DIN 1686-GTB-19
- ③ No Acorde a NEMA Std.



Keyseat detail  
Detalle Cuñero

1/2"-13NC Tapped Hole for Grounding Both sides of Frame  
Barreno 1/2"-13NC para Tierra, en ambos lados de la Carcasa



Conduit Box may be rotated in steps of 90 Degrees. La caja de conexiones puede ser rotada en pasos de 90

②

<b>CERTIFIED PRINT / CERTIFICACION</b>	
GASTHER/CLIENTE	
PROYECTO/OPERA	
SOPORTE/CLIENTE	
№	REV
FRM/FRM	TRM/TRM
WMS	AWMS
WZ	

Tol. in mm acc. to/Tol. en mm. según DIN-1686-GTB-19	Over/desde To/hasta	18	± 4.5
		30	± 4.7
		50	± 5
		80	± 5.5
		120	± 6
		180	± 6.5
		250	± 7
		315	± 7.5
		400	± 8
		500	± 8.5
		630	± 9.5
		800	± 10

European Projection/Proyeccion Europea	Dim. in inches/dim. en pulg.	Modific.
Date/Fecha	Name/Nombre	
08/04/10	A. Perez	
Drawn/Elab.	Check/Rev.	
08/04/10	A. Red	
Std.Ckd/Aut		

**SIEMENS**  
GUADALAJARA FACTORY

Ref: 3MSE 750 0636

Outline/Dimensiones  
New NEMA Motors (T) Long shaft/ Espiga Larga  
Type/ Tipo: GP10 y GP100 444/445T FRAME (Epoct & m/HP)

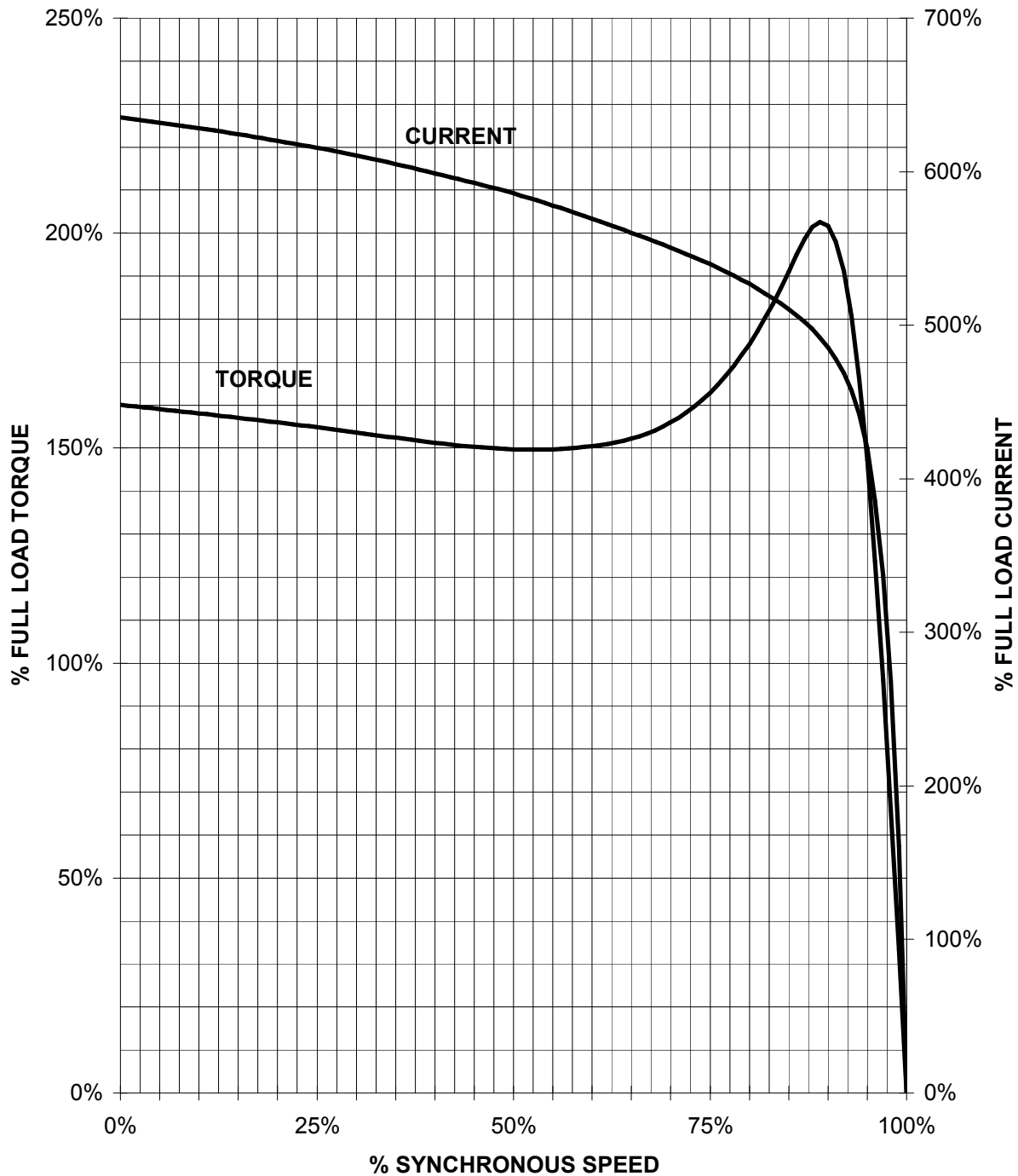
**3MSE 750 1501**

Scale/Escala	---
Rep /	---

# SIEMENS INDUSTRY, INC.

HP 125    VOLTS < 600V    RPM 1800    TYPE GP100  
HZ 60    PHASE 3    FRAME 444T    NEMA B

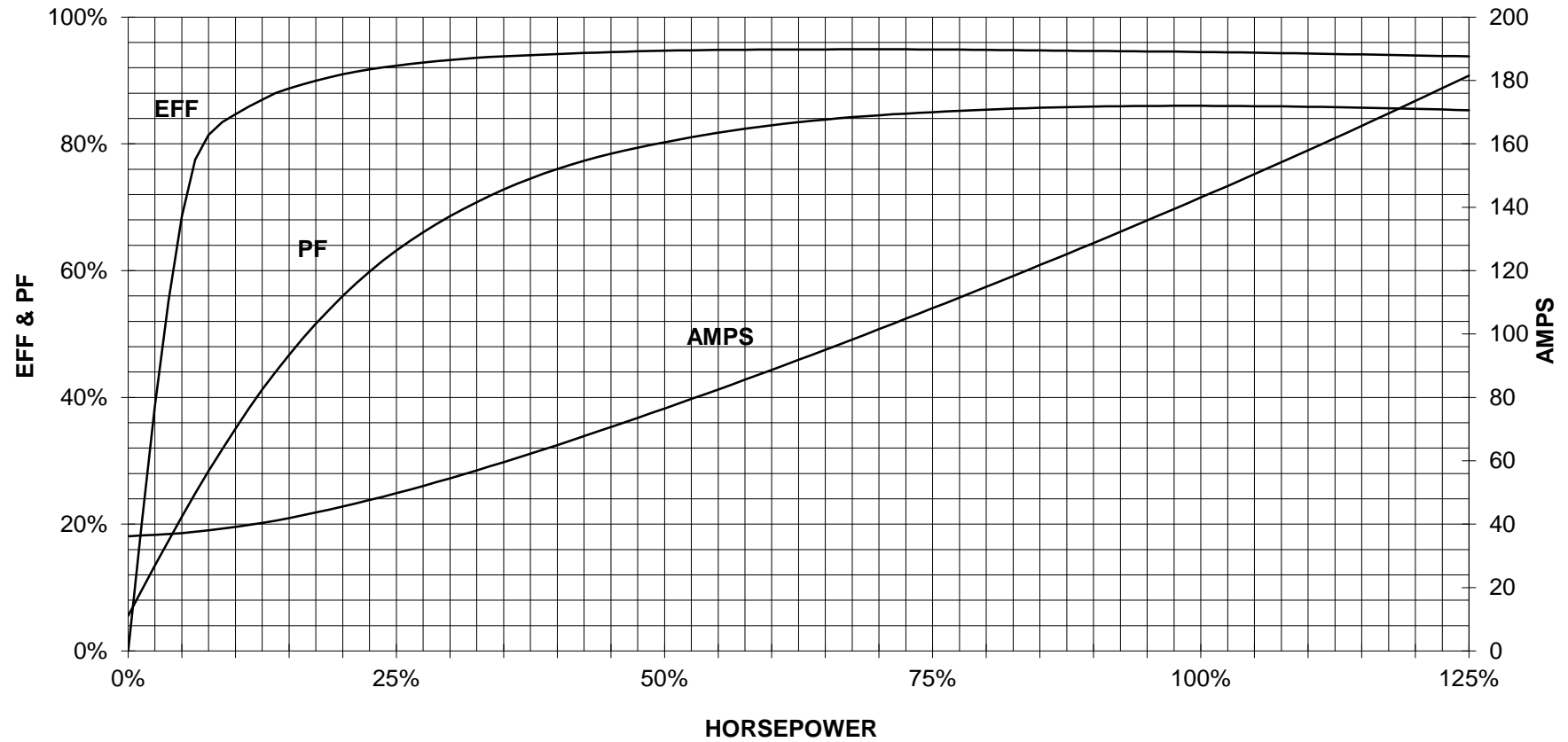
## TORQUE & CURRENT VS. SPEED



CUSTOMER: \_\_\_\_\_ ORDER#: \_\_\_\_\_

125 HP 1800 RPM 444T FRAME 460 VOLTS 3 PHASE NEMA DESIGN B

**SIEMENS INDUSTRY, INC.**  
**PERFORMANCE CURVE**  
**GP100**



CUSTOMER \_\_\_\_\_ ORDER # \_\_\_\_\_ PO # \_\_\_\_\_

PERFORMANCE BASED ON DESIGN CALCULATIONS. SUBJECT TO CHANGE WITHOUT NOTICE.

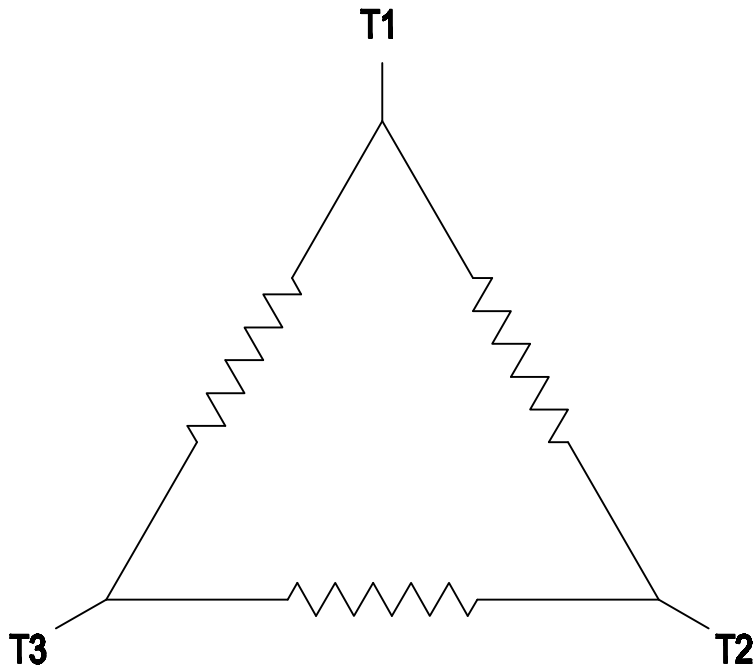
REV. 1

2

1

### 3 PHASE - 3 LEADS - DELTA

L1	L2	L3	CONN.
T1	T2	T3	△



B

B

A

A

THIS IS A CAD DRAWING  
DO NOT MAKE MANUAL CHANGES

01 | 09-27-07

TYPE

-CONFIDENTIAL-

PROPERTY OF

Siemens Energy & Automation, Inc.  
Industrial Motor Division - Little Rock, AR

FRAME

HP

NAME

WIRING DIAGRAM

VOLTS

RPM

HZ

PH

3

Customer

DRAWN 9.24.07

DATE JRH

CHECKED

DATE

APP

DATE

SHEET

1 OF 1

Sim. To

PART NO.

51-382-114-504

A

2

1