

NEMA Motor Data



Ordering data : **1LE2221-2BB21-4EA3**

Client order no. :
Order no. :
Offer no. :
Remarks :

Item no. :
Consignment no. :
Project :

Nameplate Data	Mounting and motor protection
----------------	-------------------------------

Type	GP100 - NEMA Premium Efficiency		
HP	20.0	Rating	Cont.
Voltage	(14) 208-230/460V,	Ins. Class	Class F (Standard)
Amps	50.0 / 25.0 A	S.F.	1.15
FL RPM	1770	Amb. Temp.	40 deg C
FL Efficiency	93.0 %	Temp. Rise	Class B
FRAME	256TC	kVA Code	H
DE AFBMA	45BC02JPP30	NEMA Des	B
ODE AFBMA	45BC02JPP30	Mtr WT	292.11
60 Hertz	3 Ph TEFC	IP	35

Type of construction	(E) Foot mounted - C-Face
Motor protection	(A) No winding protection
Terminal box design	(3) Mounting - F-1

Bearing Data		
--------------	--	--

	DE	ODE
Bearing Size	6209 ZZ C3 S0	6209 ZZ C3 S0
Bearing Type	Ball Bearing	Ball Bearing
AFBMA	45BC02JPP30	45BC02JPP30

Typical Performance Data					
--------------------------	--	--	--	--	--

Load	No Load	1/2	3/4	Full Load	LRC
Efficiency		93.1 %	93.4 %	93.0 %	
Power Factor		65.3	75.9	80.5	
Current (A)	10.5 A	15.4 A	19.8 A	50.0 / 25.0	145.0 A
Inverter Duty	VT	20:1	CT	4:1	

Mechanical Data				
-----------------	--	--	--	--

SAFE STALL TIME	HOT (s)	15	COLD (s)	33
Rtr wt (lbs)	74.42	Rtr WK2	2.06	
FLT (lb-ft)	60.000	LRT	183	BDT 240
Ext Load Inertia (WK2) Capability	105.0 lb-ft ²			

Typical Noise Data									
--------------------	--	--	--	--	--	--	--	--	--

A-weighted Sound	Octave Band Center Frequencies Hertz (Hz)								
Pressure Level	125	250	500	1000	2000	4000	8000	SPL	72
at 3 feet	49	60	67	68	66	63	50	SPwrL	83

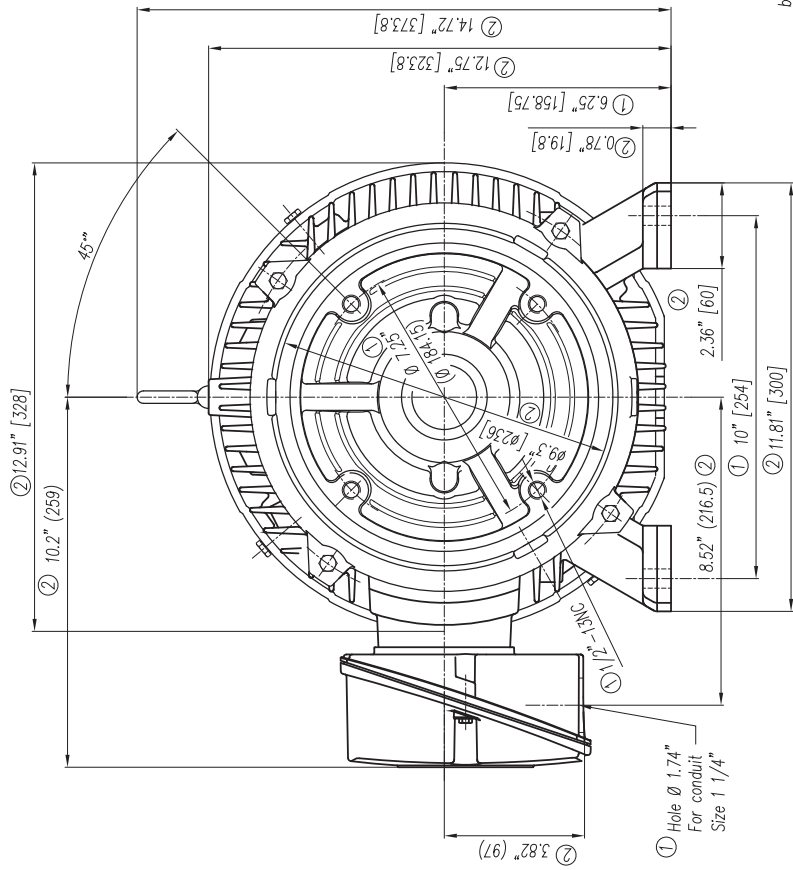
Wiring Connection Information					
-------------------------------	--	--	--	--	--

Description	3 PHASE - 9 LEAD - WYE				
Voltage	L1	L2	L3	Connected together	
LOW	T1 T7	T2 T8	T3 T9	T4 T5 T6 YY	
HIGH	T1	T2	T3	T4 T7-T5 T8-T6 T9 Y	

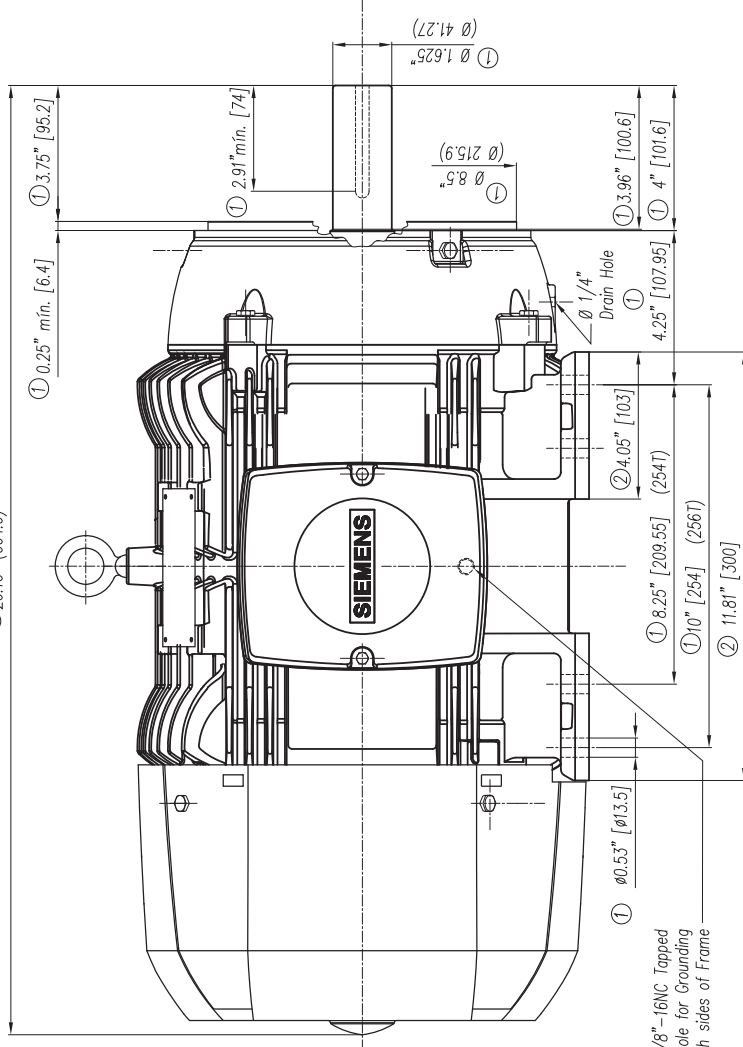
Special design :

Lubrication Information	
-------------------------	--

Manufacturer	Mobil Polyrex EM or equal
Type	Polyurea (standard)
DE Capacity (oz.)	0.50
ODEnd Capacity (oz.)	0.50



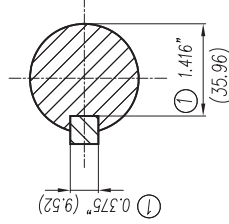
② 26.16" [664.6]



① 3/8"-16NC Tapped Hole for Grounding both sides of Frame

- ① Tolerancias acorde a NEMA Std.
- ② All these dimensions corresponding to assemblies and castings shall have a tolerance as per DIN standard 1686-GTB 19.
- ③ Not According to NEMA Std.

Tol. in mm. acc. to / Tol. en mm. segun DIN-1686-GTB-19	Over/desde	To/hasta	± 4.5	± 4.7
---	18	30	± 4.5	± 4.7
---	30	50	± 5	± 5
---	50	80	± 5.5	± 5.5
---	80	120	± 6	± 6
---	120	180	± 6.5	± 6.5
---	180	250	± 7	± 7
---	250	315	± 7.5	± 7.5
---	315	400	± 8	± 8
---	400	500	± 8.5	± 8.5
---	500	630	± 9.5	± 9.5
---	630	800	± 10	± 10



Keysat detail
Detalle Cuñero

CERTIFIED PRINT / CERTIFICACION			
CUSTOMER/CLIENTE			
PROYECTO/COMPANIA	ESP/PROYECTO/CLIENTE		
IP	MARK/ARM	TYPE/TPD	PHASES
			PH

②

Use cambio formato a Inglés-Español y se especifica tipos en los que aplica este dibujo.
a) Changed the format to English-Spanish and was specified in what kind of motors apply this drawing.

European Projection / Proyeccion Europea	Modific.	Scale/Escala	Scale/Escala
Dim. in inches/Dim. en pulg.	Date/fecha	Scale/Escala	Scale/Escala
Drawn/Elab.	05/03/08	Scale/Escala	Scale/Escala
Check/Rev.		Scale/Escala	Scale/Escala
Std.Cad./Aut.		Scale/Escala	Scale/Escala

SIEMENS
GUADALAJARA FACTORY

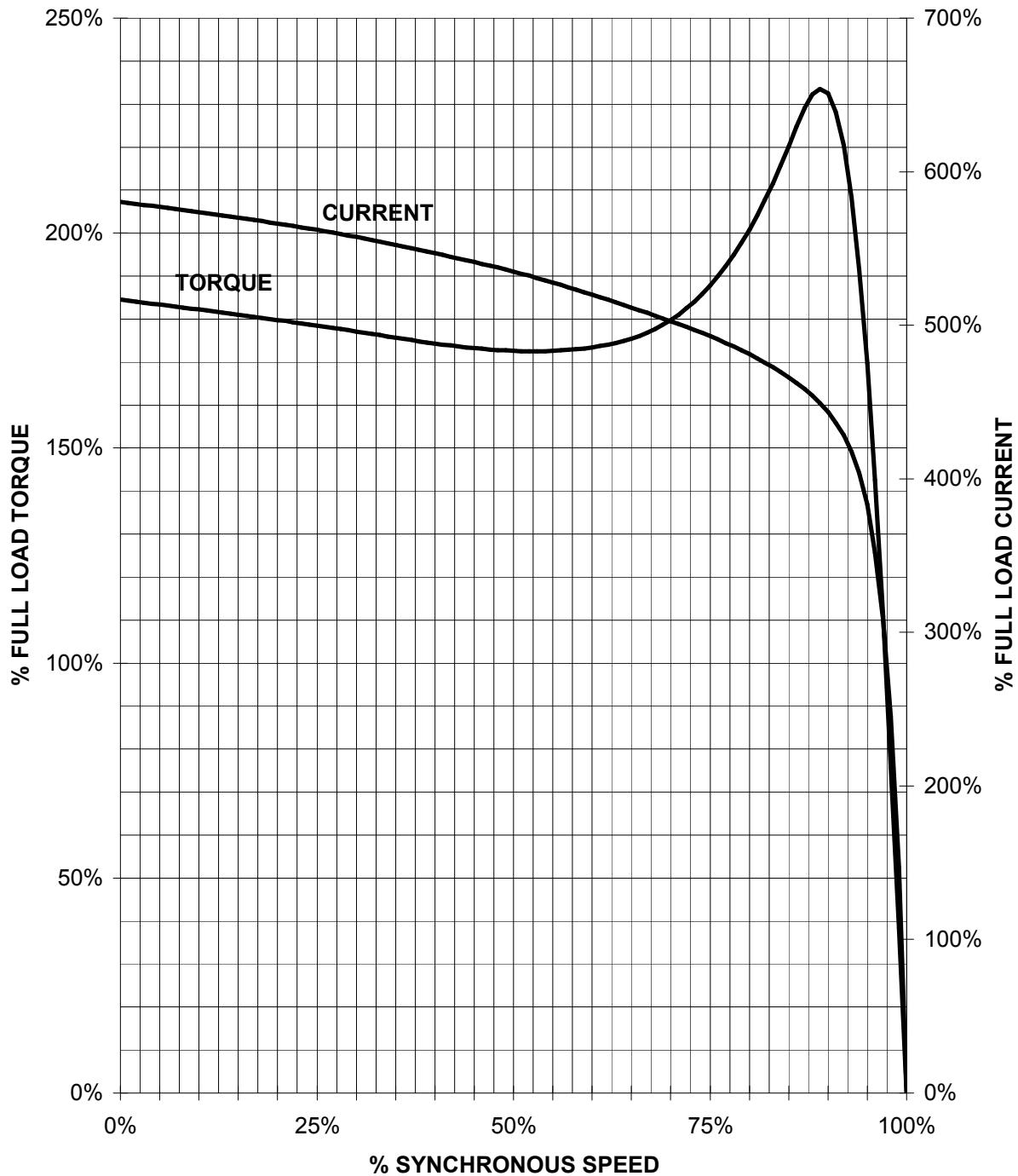
3MSE 223 0851a

Rep. 3MSE 223 0851

SIEMENS INDUSTRY, INC.

HP 20 VOLTS < 600V RPM 1800 TYPE GP100
HZ 60 PHASE 3 FRAME 256T NEMA B

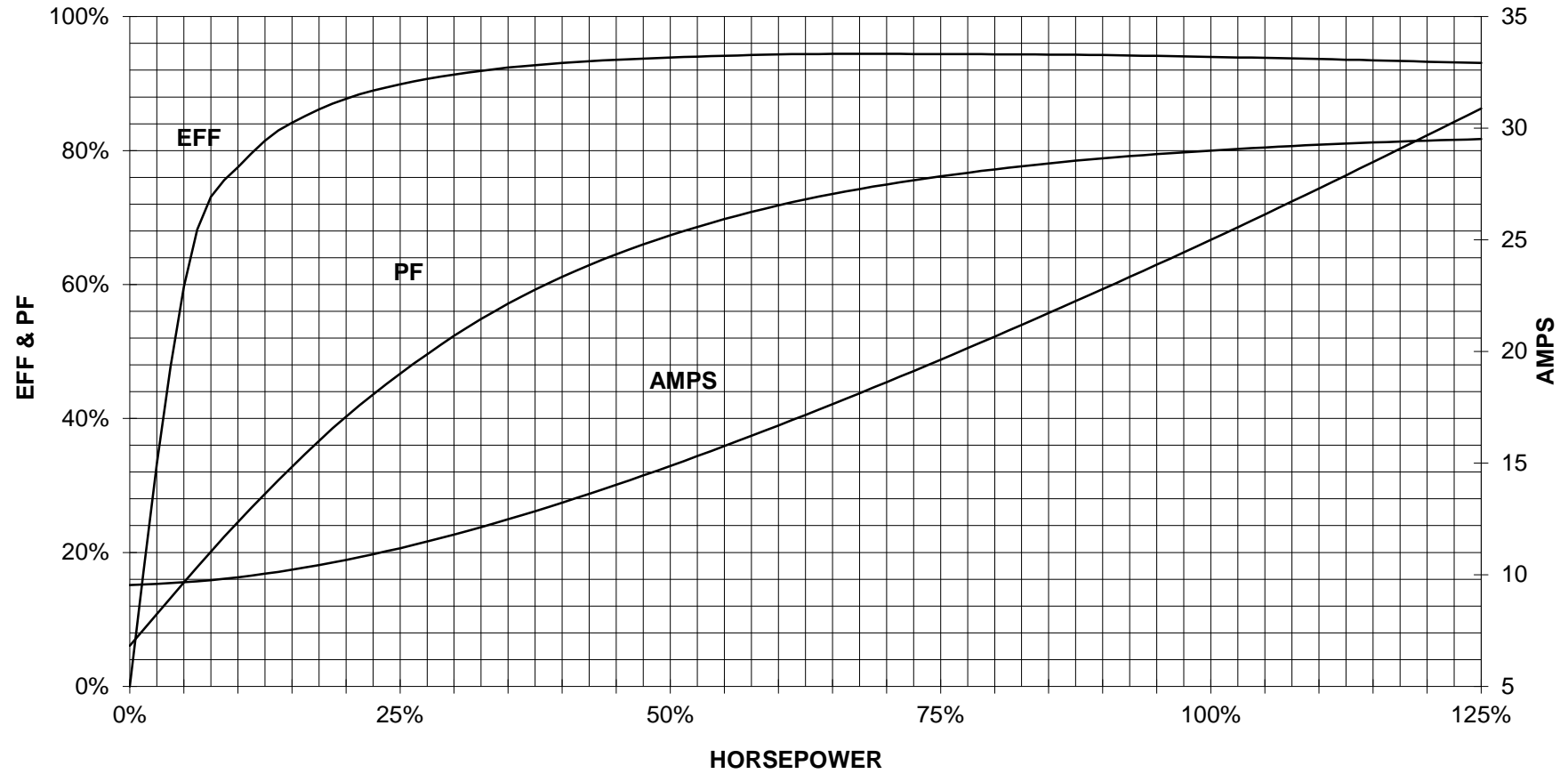
TORQUE & CURRENT VS. SPEED



CUSTOMER: _____ ORDER#: _____

20 HP 1800 RPM 256T FRAME 460 VOLTS 3 PHASE NEMA DESIGN B

SIEMENS INDUSTRY, INC.
PERFORMANCE CURVE
GP100



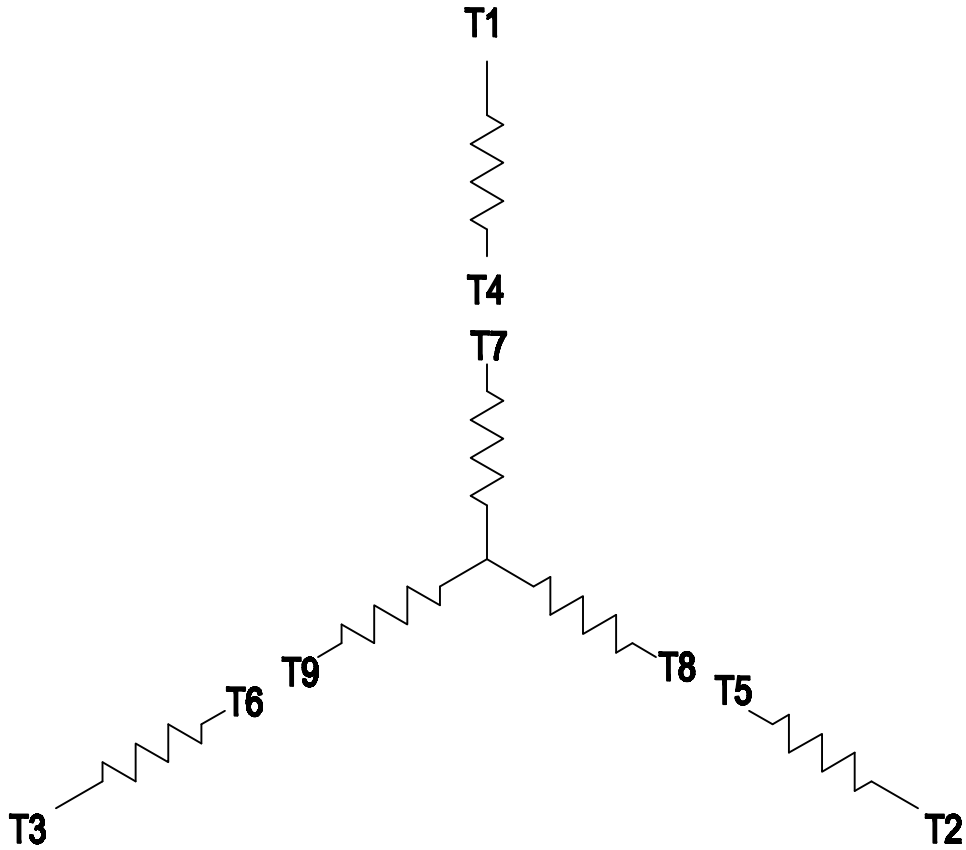
CUSTOMER _____ ORDER # _____ PO # _____

PERFORMANCE BASED ON DESIGN CALCULATIONS. SUBJECT TO CHANGE WITHOUT NOTICE.

REV. 1

3 PHASE - 9 LEADS - WYE

VOLTS	LINES			CONNECTED TOGETHER	CONN.
	L1	L2	L3		
LOW	T1 T7	T2 T8	T3 T9	T4 T5 T6	Y Y
HIGH	T1	T2	T3	T4 T7-T5 T8-T6 T9	Y



THIS IS A CAD DRAWING
DO NOT MAKE MANUAL CHANGES

01 | 09-27-07

TYPE

-CONFIDENTIAL-

PROPERTY OF

Siemens Energy & Automation, Inc.
Industrial Motor Division - Little Rock, AR

FRAME

HP

NAME

WIRING DIAGRAM

VOLTS

RPM

HZ

PH

3

Customer

PO #

SO #

DRAWN 9.24.07

DATE JRH

CHECKED

DATE

APP

DATE

SHEET

1 OF 1

Sim. To

PART NO.

51-382-114-501

A