

NEMA Motor Data



Ordering data : **1LE2221-2BB11-4EA3**

Client order no. :
Order no. :
Offer no. :
Remarks :

Item no. :
Consignment no. :
Project :

Nameplate Data	Mounting and motor protection
----------------	-------------------------------

Type	GP100 - NEMA Premium Efficiency		
HP	15.0	Rating	Cont.
Voltage	(14) 208-230/460V,	Ins. Class	Class F (Standard)
Amps	38.0 / 19.0 A	S.F.	1.15
FL RPM	1770	Amb. Temp.	40 deg C
FL Efficiency	92.4 %	Temp. Rise	Class B
FRAME	254TC	kVA Code	G
DE AFBMA	45BC02JPP30	NEMA Des	B
ODE AFBMA	45BC02JPP30	Mtr WT	259.04
60 Hertz	3 Ph	TEFC	IP 35

Type of construction	(E) Foot mounted - C-Face
Motor protection	(A) No winding protection
Terminal box design	(3) Mounting - F-1

Bearing Data

	DE	ODE
Bearing Size	6209 ZZ C3 S0	6209 ZZ C3 S0
Bearing Type	Ball Bearing	Ball Bearing
AFBMA	45BC02JPP30	45BC02JPP30

Typical Performance Data

Load	No Load	1/2	3/4	Full Load	LRC
Efficiency		92.3 %	92.8 %	92.4 %	
Power Factor		64.5	74.7	80.0	
Current (A)	11.8 A	11.8 A	15.2 A	38.0 / 19.0	116.0 A
Inverter Duty	VT	20:1	CT	4:1	

Mechanical Data

SAFE STALL TIME	HOT (s)	21	COLD (s)	33
Rtr wt (lbs)	63.97	Rtr WK2	1.68	
FLT (lb-ft)	44.000	LRT	184	BDT 234
Ext Load Inertia (WK2) Capability	105.0 lb-ft ²			

Typical Noise Data

A-weighted Sound	Octave Band Center Frequencies Hertz (Hz)								
Pressure Level	125	250	500	1000	2000	4000	8000	SPL	72
at 3 feet	49	60	67	68	66	63	50	SPwrL	83

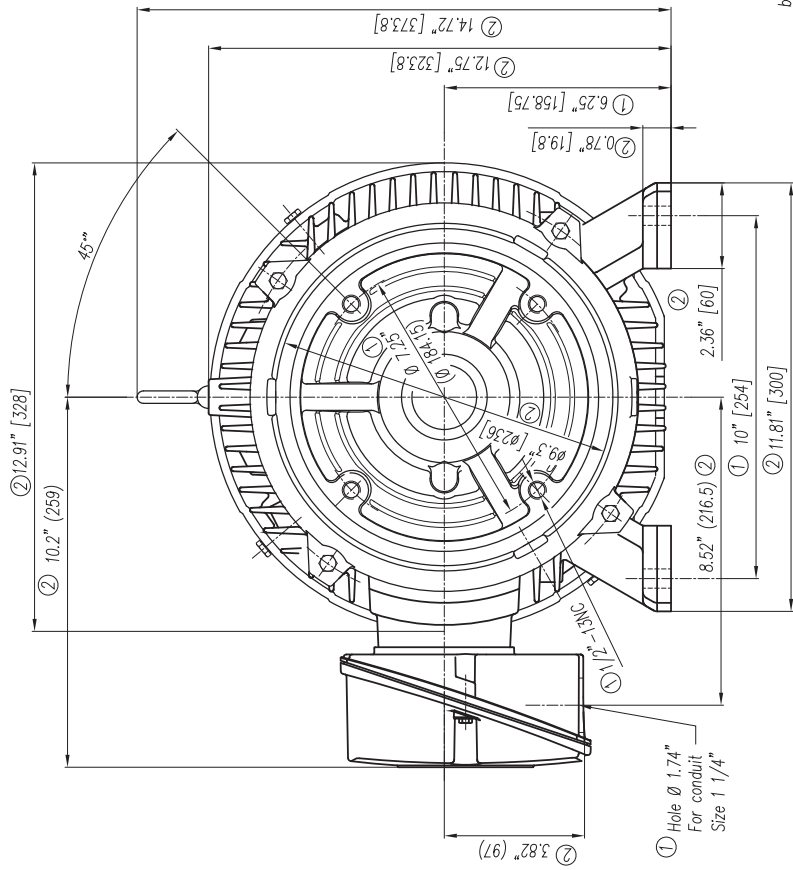
Wiring Connection Information

Description	3 PHASE - 9 LEAD - WYE					
Voltage	L1	L2	L3	Connected together		
LOW	T1 T7	T2 T8	T3 T9	T4 T5 T6 YY		
HIGH	T1	T2	T3	T4 T7-T5 T8-T6 T9 Y		

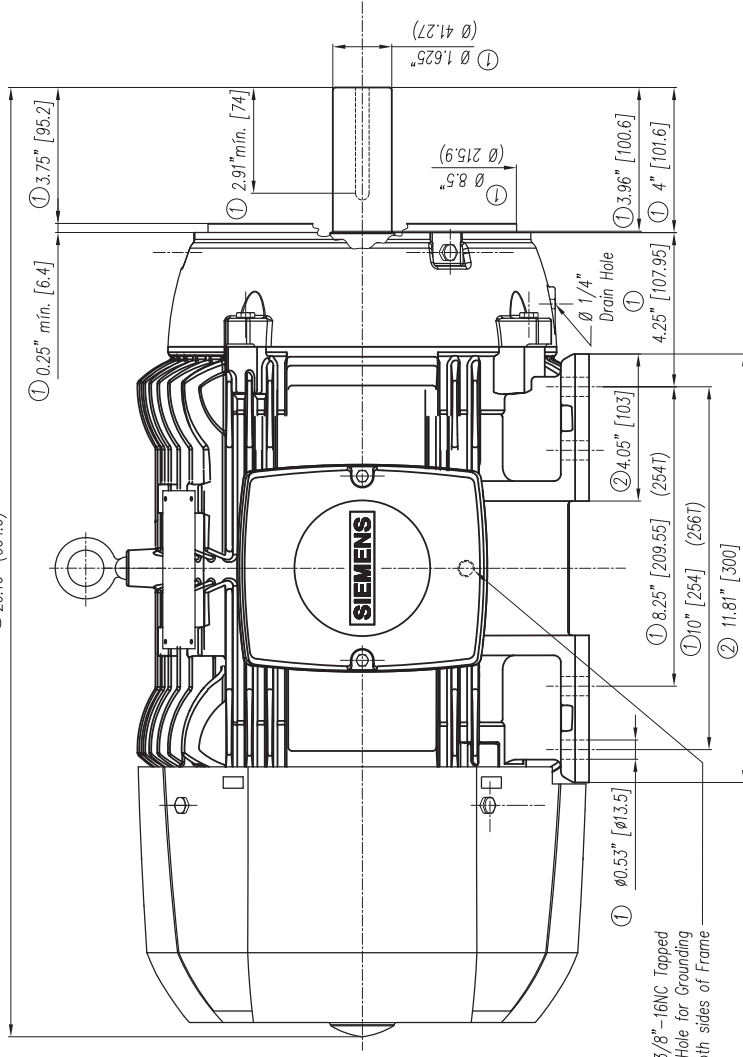
Special design :

Lubrication Information

Manufacturer	Mobil Polyrex EM or equal
Type	Polyurea (standard)
DE Capacity (oz.)	0.50
ODEnd Capacity (oz.)	0.50



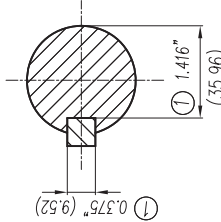
② 26.16" [664.6]



① 0.53" [13.5]
3/8"-16NC Tapped Hole for Grounding both sides of Frame

- ① Tolerancias According to NEMA Std.
- ② All these dimensions corresponding to assemblies and castings shall have a tolerance as per DIN standard 1686-GTB 19.
- ③ Not According to NEMA Std.

- ① Tolerancias acorde a NEMA Std.
- ② Todas estas dimensiones correspondientes a ensambles y fundición en bruto tendrán una tolerancia según DIN 1686-GTB-19
- ③ No Acorde a NEMA Std.



Keyseat detail
Detalle Cuñero

		Tol. in mm. acc. to Tol. en mm. segun DIN-1686-GTB-19 Over/desde To/hasta	
---	18	± 4.5	± 4.7
30	50	± 5	± 5
50	80	± 5.5	± 5.5
80	120	± 6	± 6
120	180	± 6.5	± 6.5
180	250	± 7	± 7.5
250	315	± 7.5	± 7.5
315	400	± 8	± 8
400	500	± 8.5	± 8.5
500	630	± 9.5	± 9.5
630	800	± 10	± 10

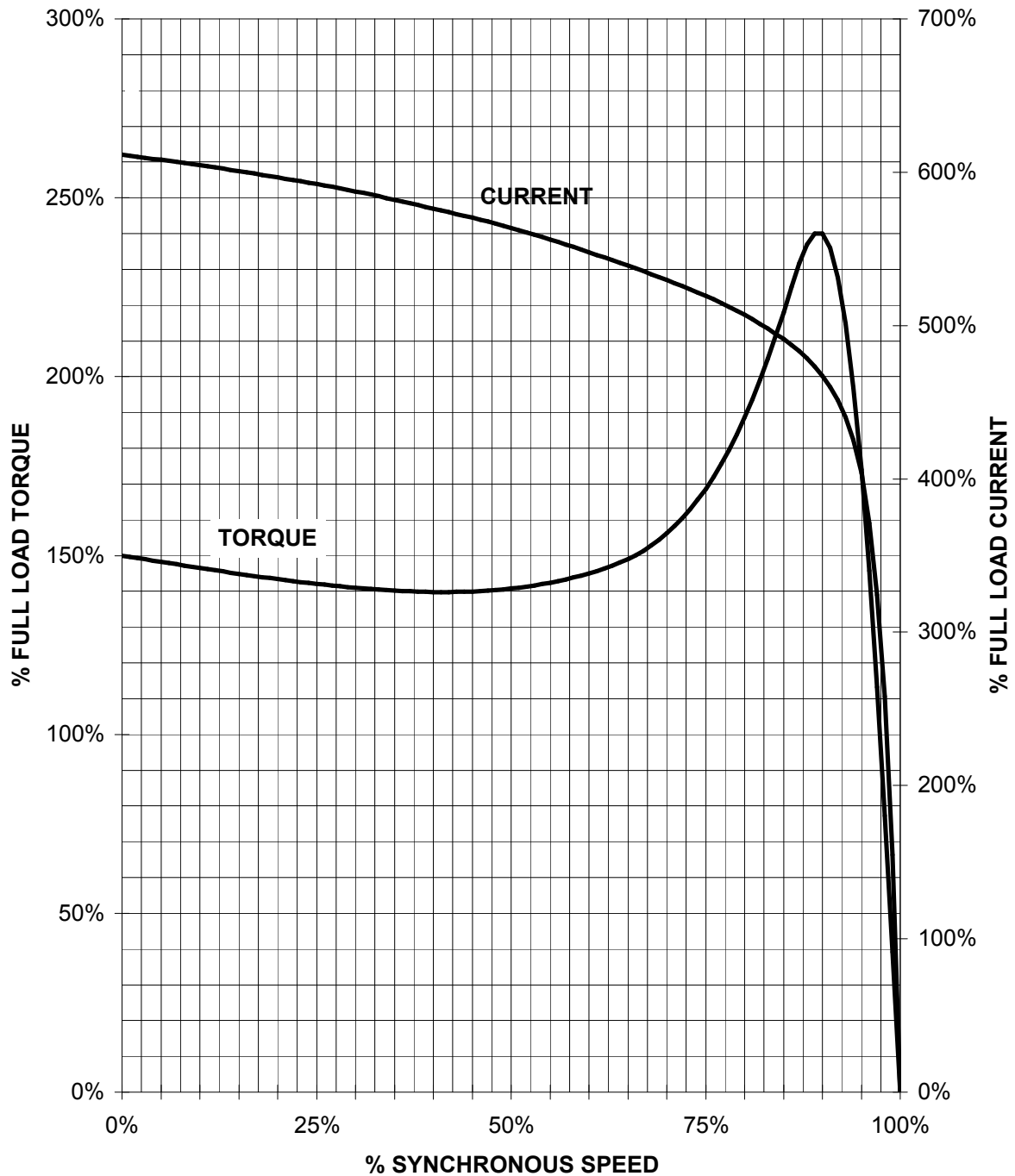
		Scale/Escala Sin W/O	
Type/ Tipo: GP100		Name/Nombre 254/256TC Arm.	
SIEMENS GUADALAJARA FACTORY		Outline/Dimensiones New NEMA Motors	
Ref. 3MSE 223 0851a		Ref. 3MSE 223 0851	

CERTIFIED PRINT / CERTIFICACION			
CUSTOMER/CLIENTE			
FOM/FACTORY	FOM/FACTORY	VALTS	REV

SIEMENS INDUSTRY, INC.

HP 15 VOLTS < 600V RPM 1800 TYPE GP100
HZ 60 PHASE 3 FRAME 254T NEMA B

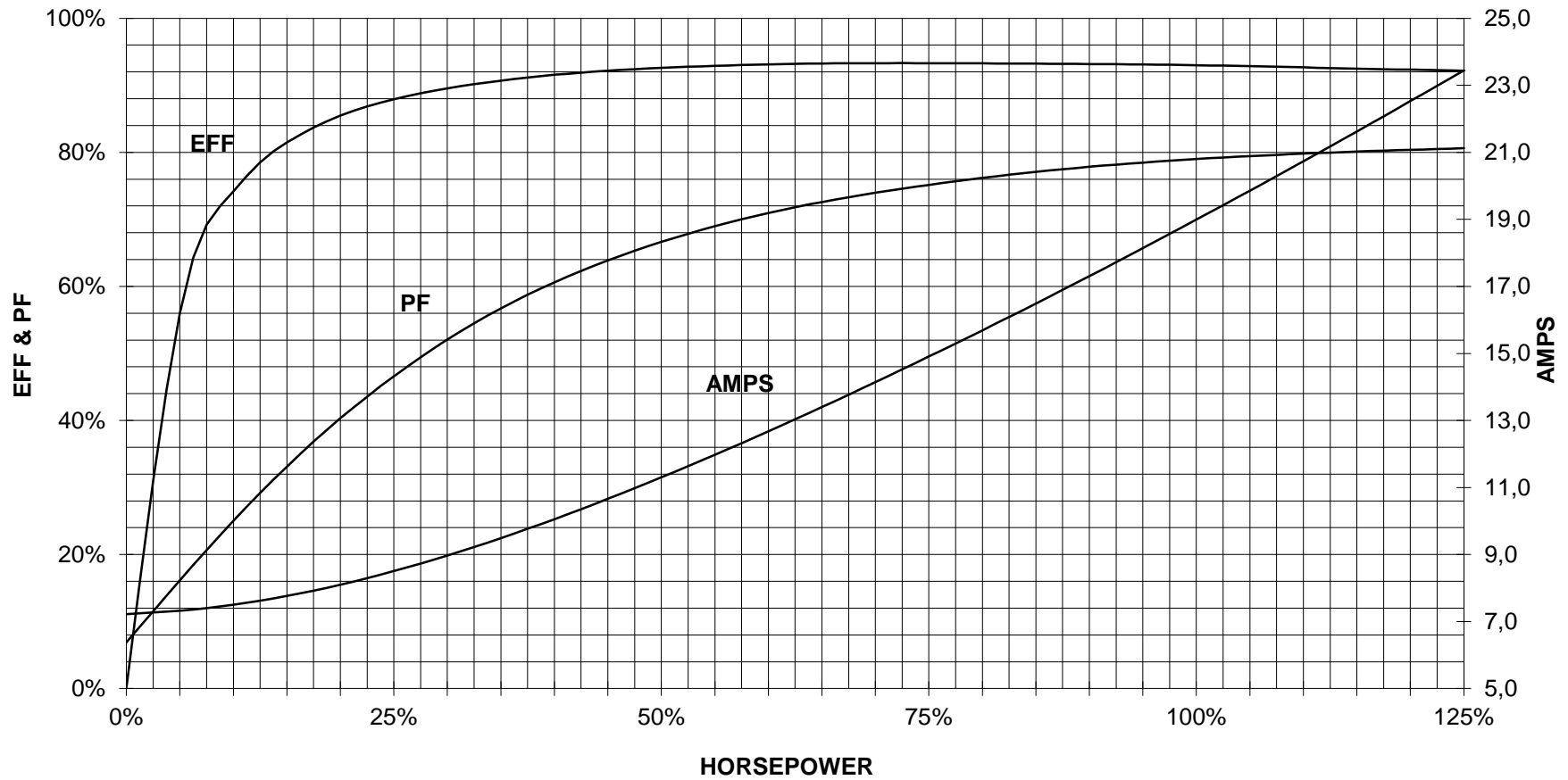
TORQUE & CURRENT VS. SPEED



CUSTOMER: _____ ORDER#: _____

15 HP 1800 RPM 254T FRAME 460 VOLTS 3 PHASE NEMA DESIGN B

SIEMENS INDUSTRY, INC.
PERFORMANCE CURVE
GP100



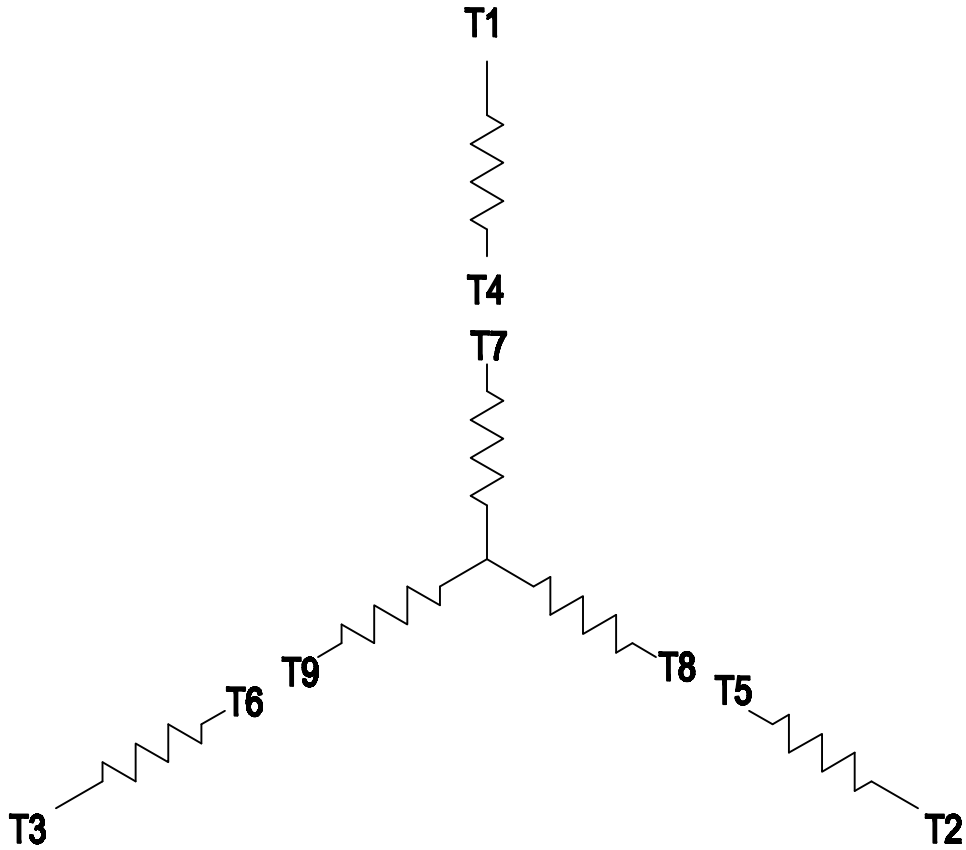
CUSTOMER _____ ORDER # _____ PO # _____

PERFORMANCE BASED ON DESIGN CALCULATIONS. SUBJECT TO CHANGE WITHOUT NOTICE.

REV. 1

3 PHASE - 9 LEADS - WYE

VOLTS	LINES			CONNECTED TOGETHER	CONN.
	L1	L2	L3		
LOW	T1 T7	T2 T8	T3 T9	T4 T5 T6	Y Y
HIGH	T1	T2	T3	T4 T7-T5 T8-T6 T9	Y



THIS IS A CAD DRAWING
DO NOT MAKE MANUAL CHANGES

01 | 09-27-07

TYPE

-CONFIDENTIAL-

PROPERTY OF

Siemens Energy & Automation, Inc.
Industrial Motor Division - Little Rock, AR

FRAME

HP

NAME

WIRING DIAGRAM

VOLTS

RPM

HZ

PH

3

Customer

PO #

SO #

DRAWN

9.24.07

DATE

JRH

CHECKED

DATE

APP

DATE

SHEET

1 OF 1

Sim. To

PART NO.

51-382-114-501

A