

NEMA Motor Data



Ordering data : **1LE2221-2AA21-4GA3**

Client order no. :
 Order no. :
 Offer no. :
 Remarks :

Item no. :
 Consignment no. :
 Project :

Nameplate Data	Mounting and motor protection
----------------	-------------------------------

Type	GP100 - NEMA Premium Efficiency		
HP	10.0	Rating	Cont.
Voltage	(14) 208-230/460V,	Ins. Class	Class F (Standard)
Amps	23.0 / 11.5 A	S.F.	1.15
FL RPM	3515	Amb. Temp.	40 deg C
FL Efficiency	90.2 %	Temp. Rise	Class B
FRAME	215TC	kVA Code	H
DE AFBMA	40BC02JPP30	NEMA Des	B
ODE AFBMA	40BC02JPP30	Mtr WT	162.92
60 Hertz	3 Ph TEFC	IP	35

Type of construction	(G) Round body - C-Face
Motor protection	(A) No winding protection
Terminal box design	(3) Mounting - F-1

Bearing Data		
--------------	--	--

	DE	ODE
Bearing Size	6208 ZZ C3 S0	6208 ZZ C3 S0
Bearing Type	Ball Bearing	Ball Bearing
AFBMA	40BC02JPP30	40BC02JPP30

Typical Performance Data					
--------------------------	--	--	--	--	--

Load	No Load	1/2	3/4	Full Load	LRC
Efficiency		91.0 %	91.1 %	90.2 %	
Power Factor		81.5	88.8	90.3	
Current (A)	3.5 A	6.3 A	8.7 A	23.0 / 11.5	81.0 A
Inverter Duty	VT	20:1	CT	4:1	

Mechanical Data				
-----------------	--	--	--	--

SAFE STALL TIME	HOT (s)	14	COLD (s)	28
Rtr wt (lbs)	33.16	Rtr WK2	0.51	
FLT (lb-ft)	15.000	LRT	180	BDT 440
Ext Load Inertia (WK2) Capability	105.0 lb-ft ²			

Typical Noise Data									
--------------------	--	--	--	--	--	--	--	--	--

A-weighted Sound	Octave Band Center Frequencies Hertz (Hz)								
Pressure Level	125	250	500	1000	2000	4000	8000	SPL	81
at 3 feet	46	62	76	76	76	71	61	SPwrL	90

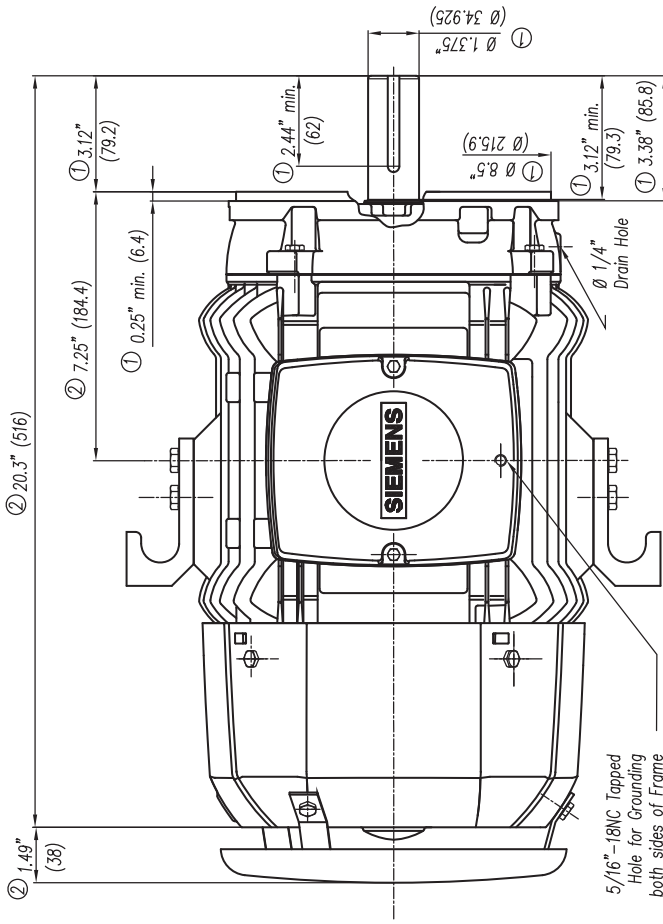
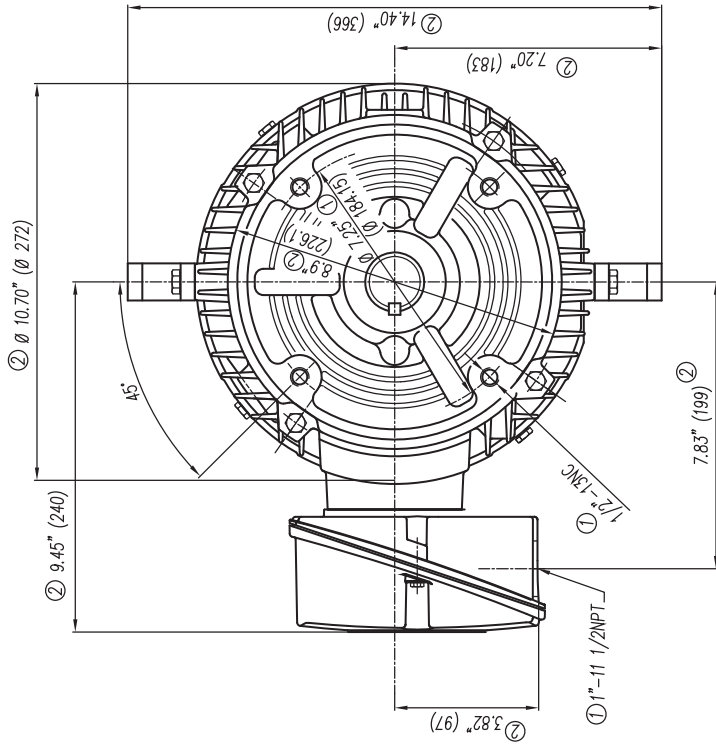
Wiring Connection Information

Description	3 PHASE - 9 LEAD - WYE				
Voltage	L1	L2	L3	Connected together	
LOW	T1 T7	T2 T8	T3 T9	T4 T5 T6 YY	
HIGH	T1	T2	T3	T4 T7-T5 T8-T6 T9 Y	

Special design :

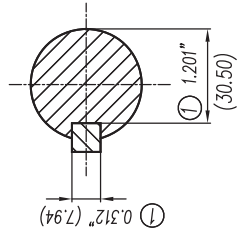
Lubrication Information

Manufacturer	Mobil Polyrex EM or equal
Type	Polyurea (standard)
DE Capacity (oz.)	2.60
ODEnd Capacity (oz.)	2.30



- ① Tolerancias acorde a NEMA Std.
- ② Todas estas dimensiones correspondientes a ensamblajes y fundición en bruto tendrán una tolerancia según DIN 1686-GTB-19
- ③ No Acorde a NEMA Std.

CERTIFIED PRINT/CERTIFICACION			
CLIENTE/CUSTOMER	SANABER CLIENTE		
FABRICA/FACTORY	TIPO/TIPO	VALTS	REV.
IP	BVN	FRAME/FRAME	REV



Keyseat detail
Detalle Cuñero

Tol. in mm. acc. to/Tol. en mm. según DIN-1686-GTB-19		 European Projection/ Proyección Europea	Mod. Title Name/Nombre Date/Fecha Drawn/Elab. 04/03/08 Check/Rev. Start/Start/End	Dim. in inches/Dim. en pulg.	
Over/Desde	to/hasta				
---	---	18	± 4.5	30	± 4.7
30	± 5	50	± 5.5	80	± 6
80	± 6	120	± 6.5	180	± 7
120	± 7	180	± 7.5	250	± 8
180	± 8	315	± 8.5	400	± 9
250	± 9	500	± 9.5	630	± 10
315	± 10	630	± 10	800	± 10

Se cambió formato a Inglés-Español y se especificó tipos en los que aplica este dibujo.
 Changed the format to English-Spanish and was specified in what kind of motors apply this drawing.

Scale/Escala
Sin W/O

215TCV Frame

SIEMENS
GUADALAJARA FACTORY

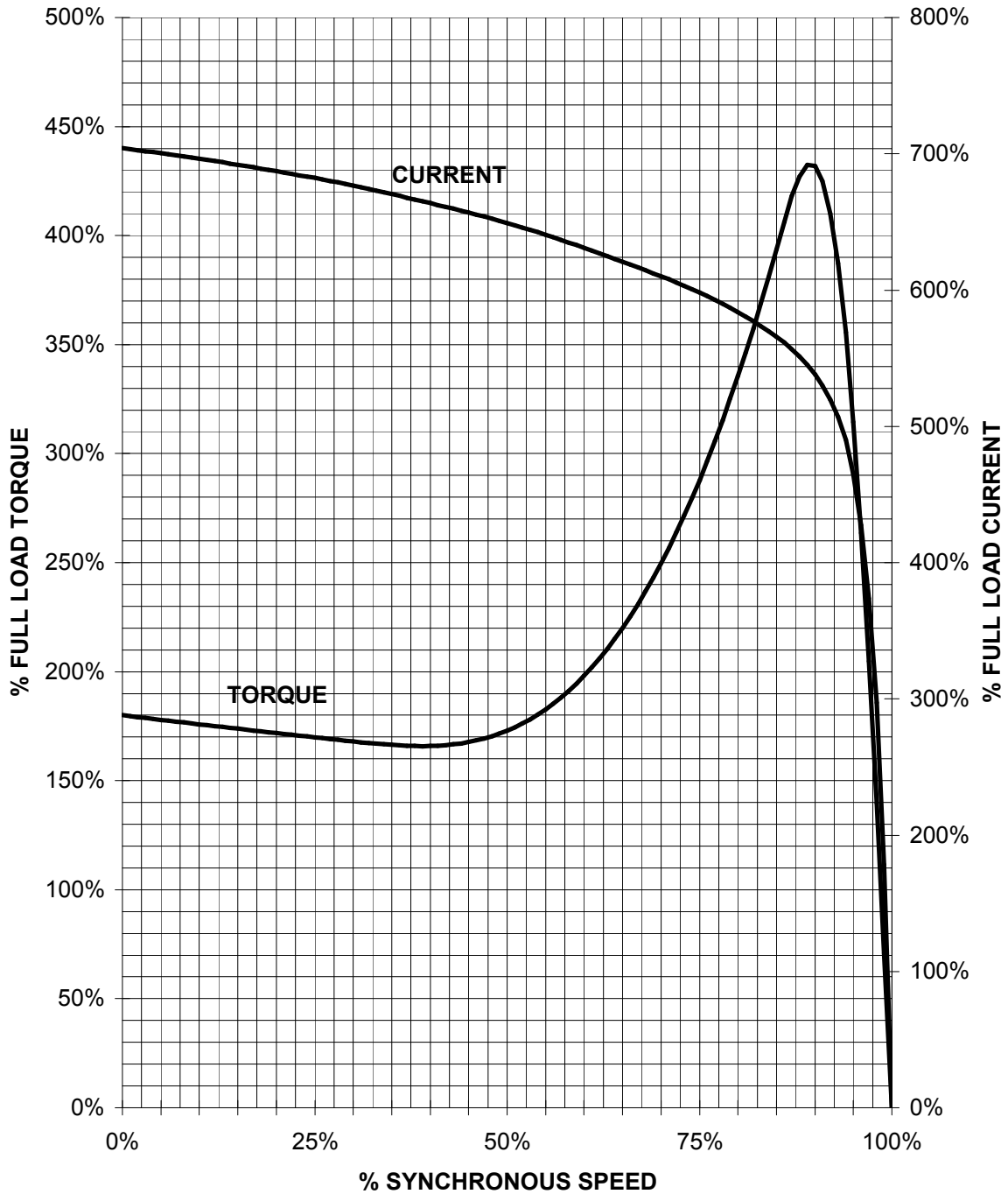
3MSE 222 0852a

Rep./ 3MSE 222 0852

SIEMENS INDUSTRY, INC.

HP 10 VOLTS < 600V RPM 3600 TYPE GP100
HZ 60 PHASE 3 FRAME 215T NEMA B

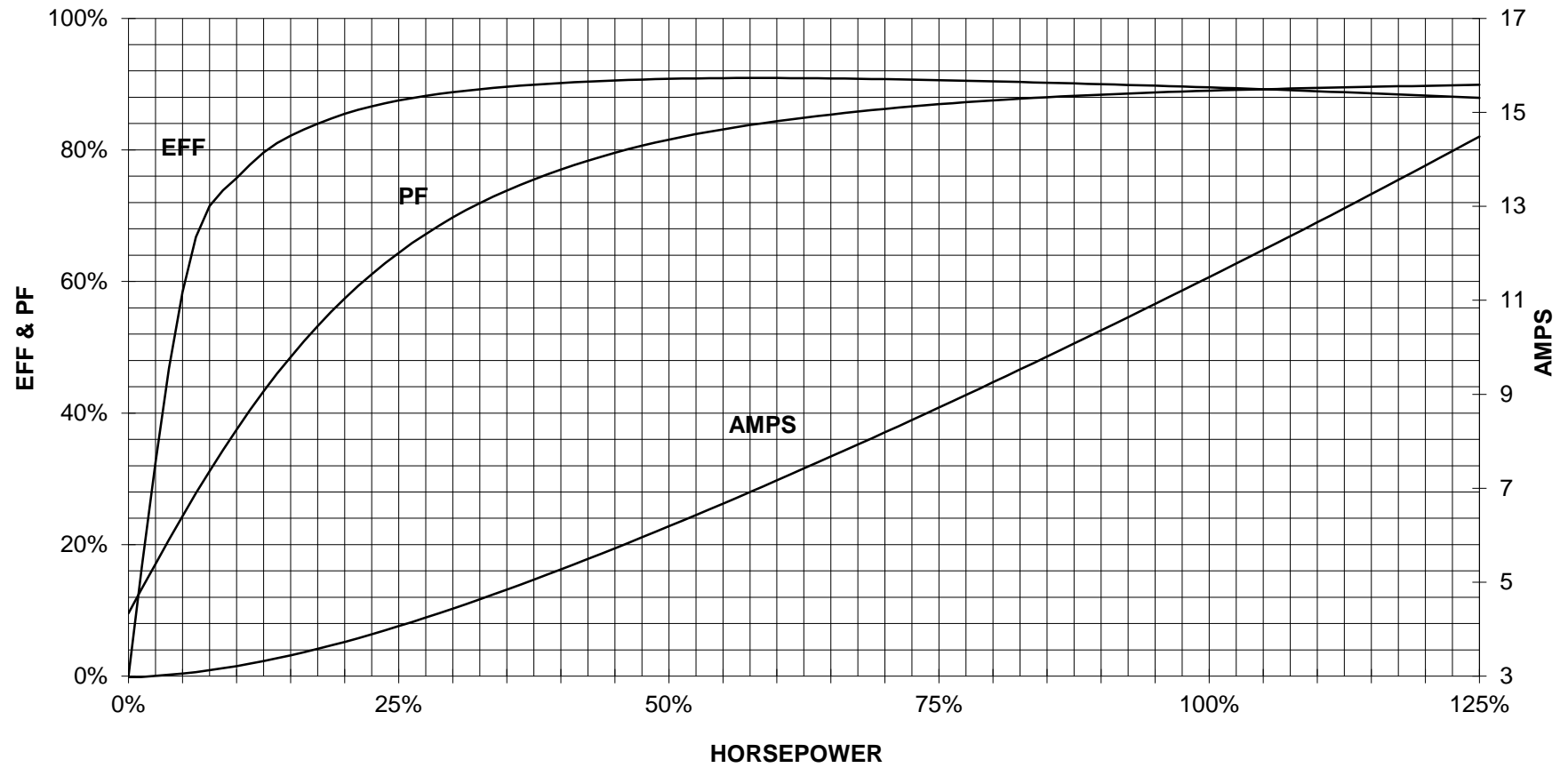
TORQUE & CURRENT VS. SPEED



CUSTOMER: _____ ORDER#: _____

10 HP 3600 RPM 215T FRAME 460 VOLTS 3 PHASE NEMA DESIGN B

SIEMENS INDUSTRY, INC.
PERFORMANCE CURVE
GP100



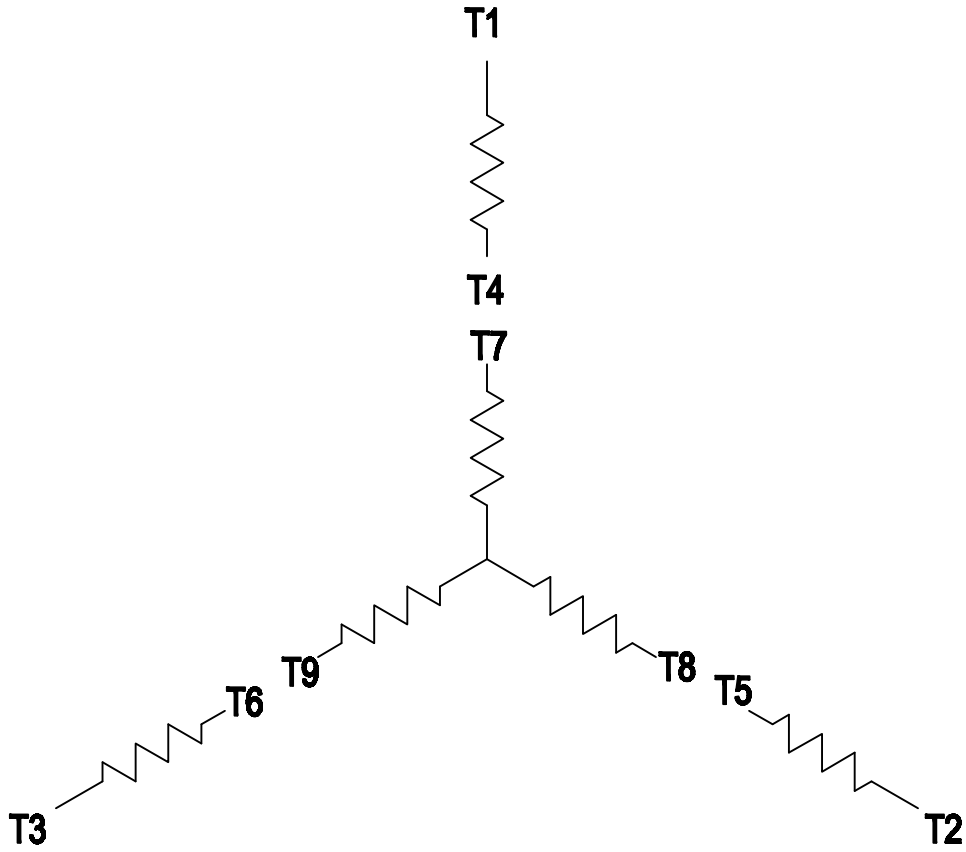
CUSTOMER _____ ORDER # _____ PO # _____

PERFORMANCE BASED ON DESIGN CALCULATIONS. SUBJECT TO CHANGE WITHOUT NOTICE.

REV. 1

3 PHASE - 9 LEADS - WYE

VOLTS	LINES			CONNECTED TOGETHER	CONN.
	L1	L2	L3		
LOW	T1 T7	T2 T8	T3 T9	T4 T5 T6	Y Y
HIGH	T1	T2	T3	T4 T7-T5 T8-T6 T9	Y



THIS IS A CAD DRAWING
DO NOT MAKE MANUAL CHANGES

01 | 09-27-07

TYPE

-CONFIDENTIAL-

PROPERTY OF

Siemens Energy & Automation, Inc.
Industrial Motor Division - Little Rock, AR

FRAME

HP

NAME

WIRING DIAGRAM

VOLTS

RPM

HZ

PH

3

Customer

PO #

SO #

DRAWN	9.24.07	DATE	JRH
CHECKED		DATE	
APP		DATE	

SHEET 1 OF 1

Sim. To

PART NO.

51-382-114-501

A