

## NEMA Motor Data



Ordering data : **1LE2221-2AA21-4EA3**

Client order no. :  
Order no. :  
Offer no. :  
Remarks :

Item no. :  
Consignment no. :  
Project :

Nameplate Data	Mounting and motor protection
----------------	-------------------------------

Type	GP100 - NEMA Premium Efficiency		
HP	10.0	Rating	Cont.
Voltage	(14) 208-230/460V,	Ins. Class	Class F (Standard)
Amps	23.0 / 11.5 A	S.F.	1.15
FL RPM	3515	Amb. Temp.	40 deg C
FL Efficiency	90.2 %	Temp. Rise	Class B
FRAME	215TC	kVA Code	H
DE AFBMA	40BC02JPP30	NEMA Des	B
ODE AFBMA	40BC02JPP30	Mtr WT	162.92
60 Hertz	3 Ph      TEFC	IP	35

Type of construction	( E ) Foot mounted - C-Face
Motor protection	(A) No winding protection
Terminal box design	(3) Mounting - F-1

Bearing Data		
--------------	--	--

	DE	ODE
Bearing Size	6208 ZZ C3 S0	6208 ZZ C3 S0
Bearing Type	Ball Bearing	Ball Bearing
AFBMA	40BC02JPP30	40BC02JPP30

Typical Performance Data					
--------------------------	--	--	--	--	--

Load	No Load	1/2	3/4	Full Load	LRC
Efficiency		91.0 %	91.1 %	90.2 %	
Power Factor		81.5	88.8	90.3	
Current (A)	3.5 A	6.3 A	8.7 A	23.0 / 11.5	81.0 A
Inverter Duty	VT	20:1	CT	4:1	

Mechanical Data				
-----------------	--	--	--	--

SAFE STALL TIME	HOT (s)	14	COLD (s)	28
Rtr wt (lbs)	33.16	Rtr WK2	0.51	
FLT (lb-ft)	15.000	LRT	180	BDT 440
Ext Load Inertia (WK2) Capability	105.0 lb-ft <sup>2</sup>			

Typical Noise Data									
--------------------	--	--	--	--	--	--	--	--	--

A-weighted Sound	Octave Band Center Frequencies Hertz (Hz)								
Pressure Level	125	250	500	1000	2000	4000	8000	SPL	81
at 3 feet	46	62	76	76	76	71	61	SPwrL	90

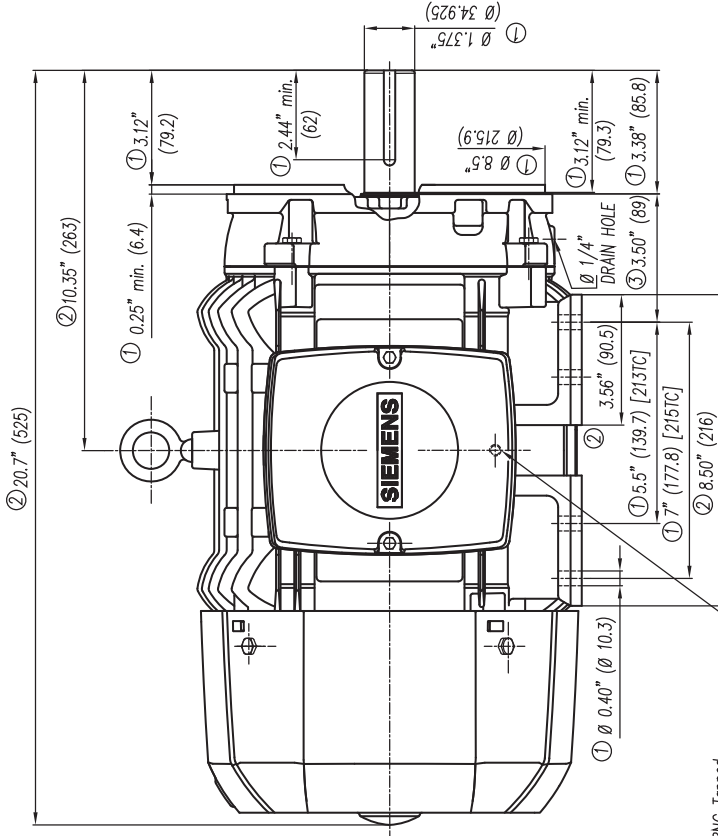
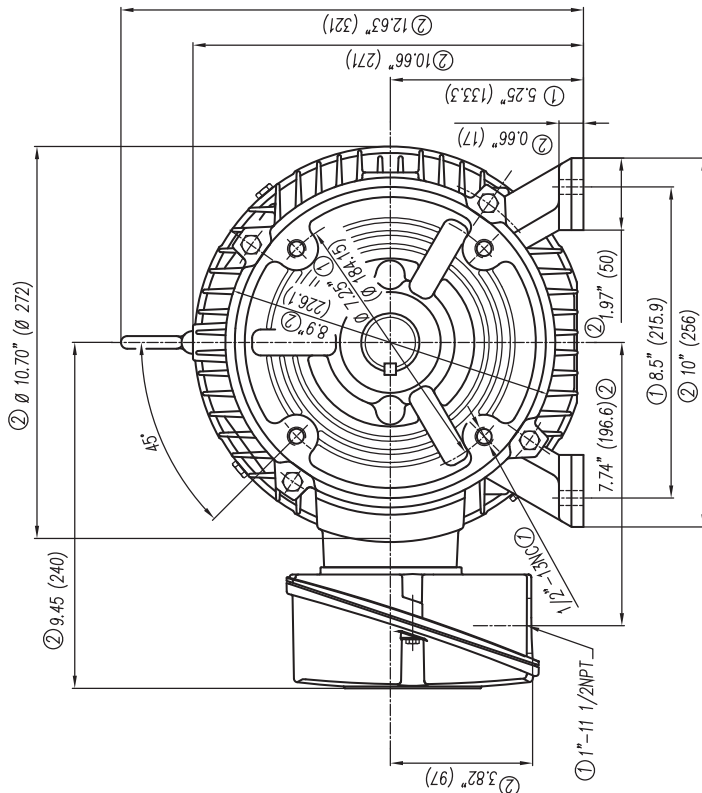
Wiring Connection Information					
-------------------------------	--	--	--	--	--

Description	3 PHASE - 9 LEAD - WYE				
Voltage	L1	L2	L3	Connected together	
LOW	T1 T7	T2 T8	T3 T9	T4 T5 T6      YY	
HIGH	T1	T2	T3	T4 T7-T5 T8-T6 T9      Y	

Special design :
------------------

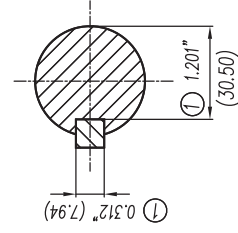
Lubrication Information	
-------------------------	--

Manufacturer	Mobil Polyrex EM or equal
Type	Polyurea (standard)
DE Capacity (oz.)	2.60
ODEnd Capacity (oz.)	2.30



5/16"-18NC Tapped Hole for Grounding both sides of Frame

- ① Tolerancias According to NEMA Std.
- ② All these dimensions corresponding to assemblies and castings shall have a tolerance as per DIN standard 1686-GTB 19.
- ③ Not According to NEMA Std.



Keyseat detail  
Detalle Cuñero

<b>CERTIFIED PRINT/CERTIFICACION</b>			
CUSTOMER/CIENTE			
SUPPLIER/COMPAÑIA			
PP	FRM	FRM/FRM	FRM/FRM
FRM	FRM/FRM	FRM/FRM	FRM/FRM

Tol. in mm. acc. to Tol. in mm. según DIN-1686-GTB-19	Over/hasta	18	± 4.5
18	30	± 4.7	
30	50	± 5	
50	80	± 5.5	
80	120	± 6	
120	180	± 6.5	
180	250	± 7	
250	315	± 7.5	
315	400	± 8	
400	500	± 8.5	
500	630	± 9.5	
630	800	± 10	

European Projection/ Proyeccion Europea	Scale/ Escala
Dim. in inches/Dim. en pulg.	Scale/ Escala
Date/Fecha	Scale/ Escala
Drawn/Elab	Scale/ Escala
Check/Rev.	Scale/ Escala
Std.Cnd./Aut.	Scale/ Escala

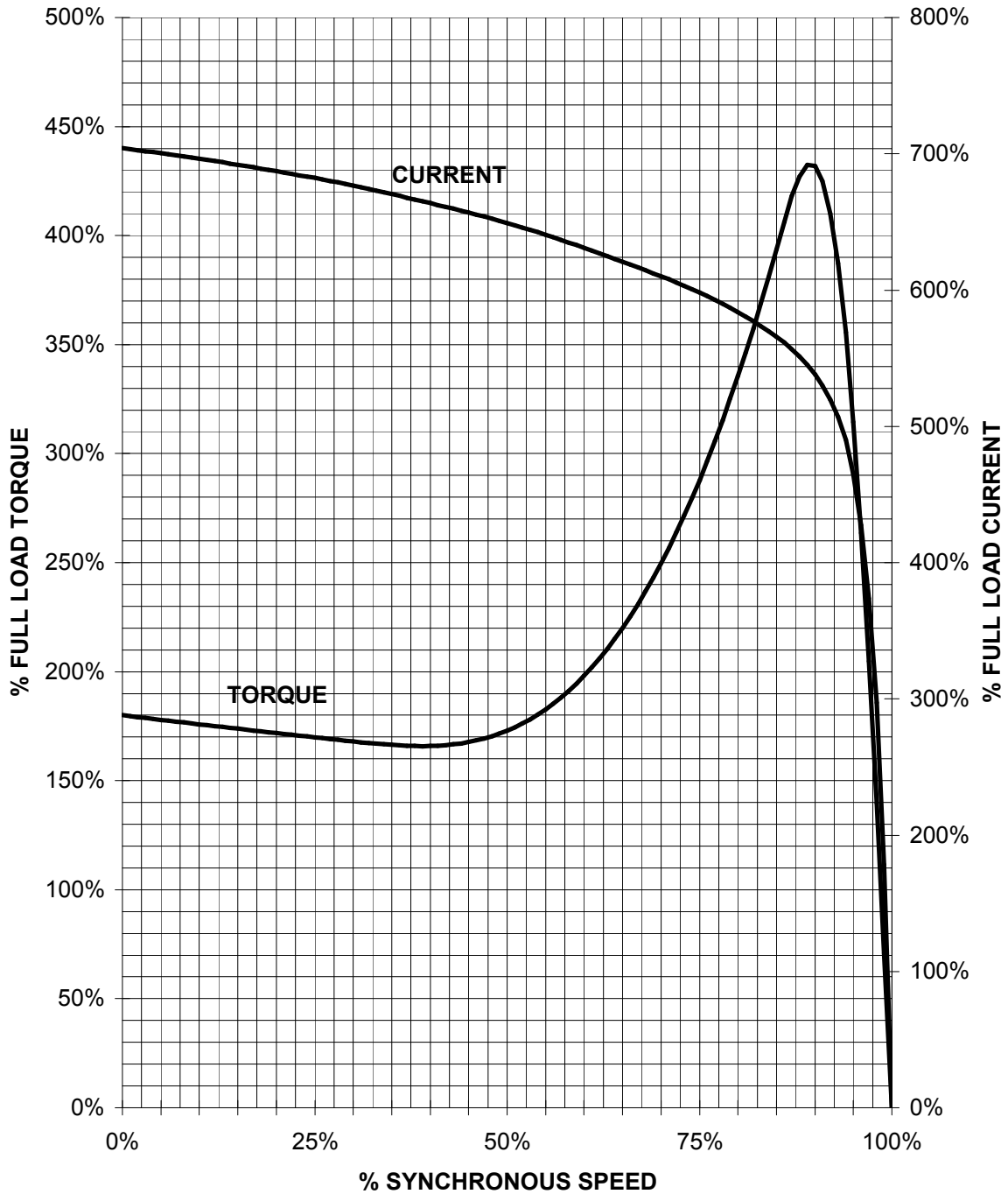
a) Se cambió formato a Inglés-Español y se especificó tipos en los que aplica este dibujo.  
 a) Changed the format to English-Spanish and was specified in what kind of motors apply this drawing.

<b>SIEMENS</b>		<b>Outline/Dimensiones</b>	
GUADALAJARA FACTORY		New NEMA Motors	
Type/ Tipo:	GP100	Type/ Tipo:	213/215TC Arm.
3MSE 222 0851a		3MSE 222 0851a	
Ref. 222 0851		Ref. 222 0851	

# SIEMENS INDUSTRY, INC.

HP 10 VOLTS < 600V RPM 3600 TYPE GP100  
HZ 60 PHASE 3 FRAME 215T NEMA B

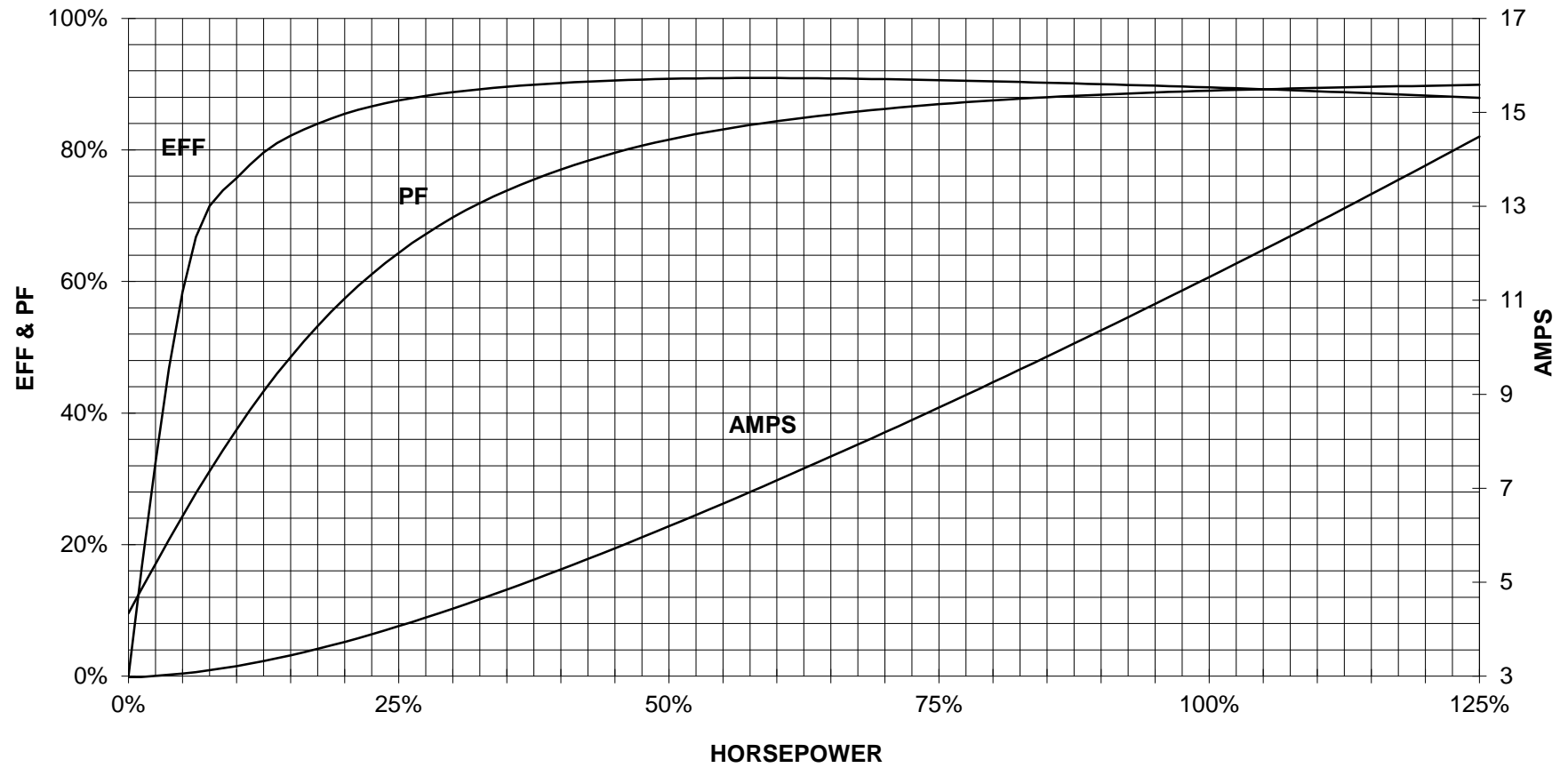
## TORQUE & CURRENT VS. SPEED



CUSTOMER: \_\_\_\_\_ ORDER#: \_\_\_\_\_

10 HP 3600 RPM 215T FRAME 460 VOLTS 3 PHASE NEMA DESIGN B

**SIEMENS INDUSTRY, INC.**  
**PERFORMANCE CURVE**  
**GP100**



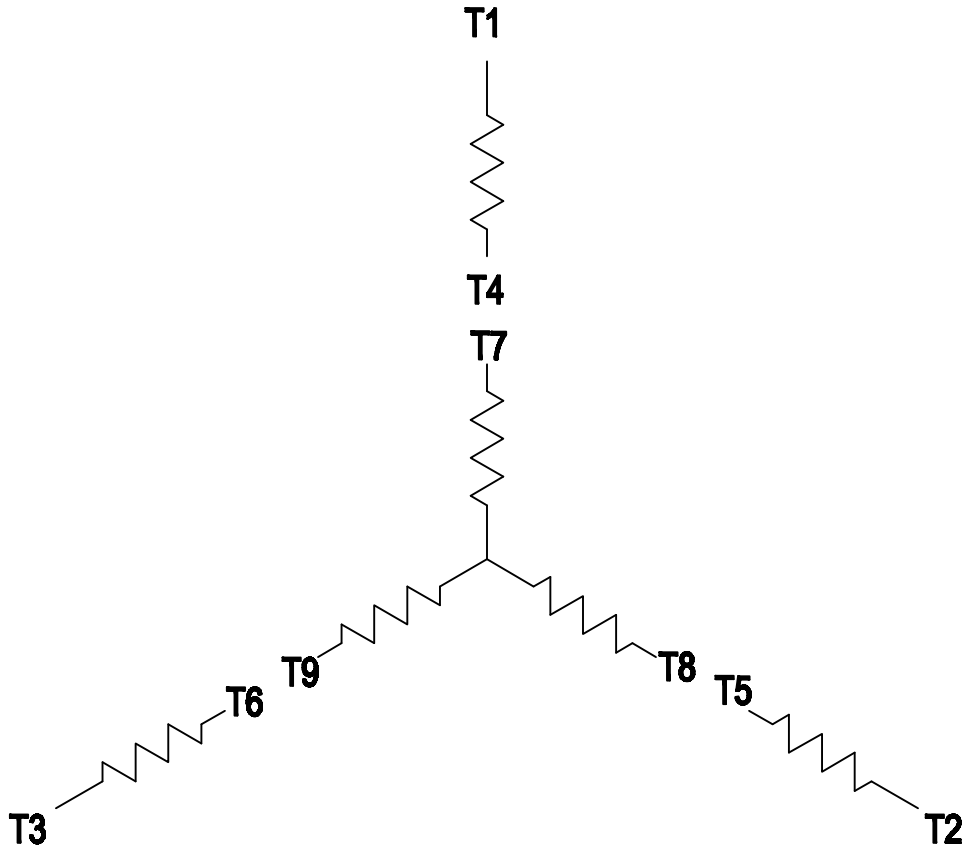
CUSTOMER \_\_\_\_\_ ORDER # \_\_\_\_\_ PO # \_\_\_\_\_

PERFORMANCE BASED ON DESIGN CALCULATIONS. SUBJECT TO CHANGE WITHOUT NOTICE.

REV. 1

### 3 PHASE - 9 LEADS - WYE

VOLTS	LINES			CONNECTED TOGETHER	CONN.
	L1	L2	L3		
LOW	T1 T7	T2 T8	T3 T9	T4 T5 T6	Y Y
HIGH	T1	T2	T3	T4 T7-T5 T8-T6 T9	Y



THIS IS A CAD DRAWING  
DO NOT MAKE MANUAL CHANGES

01 | 09-27-07

TYPE

-CONFIDENTIAL-

PROPERTY OF

Siemens Energy & Automation, Inc.  
Industrial Motor Division - Little Rock, AR

FRAME

HP

NAME

WIRING DIAGRAM

VOLTS

RPM

HZ

PH

3

Customer

PO #

SO #

DRAWN	9.24.07	DATE	JRH
CHECKED		DATE	
APP		DATE	

SHEET 1 OF 1

Sim. To

PART NO.

51-382-114-501

A