

## NEMA Motor Data



Ordering data : **1LE2221-1AA31-4GA3**

Client order no. :  
Order no. :  
Offer no. :  
Remarks :

Item no. :  
Consignment no. :  
Project :

Nameplate Data	Mounting and motor protection
----------------	-------------------------------

Type	GP100 - NEMA Premium Efficiency		
HP	2.0	Rating	Cont.
Voltage	(14) 208-230/460V,	Ins. Class	Class F (Standard)
Amps	5.0 / 2.5 A	S.F.	1.15
FL RPM	3515	Amb. Temp.	40 deg C
FL Efficiency	85.5 %	Temp. Rise	Class B
FRAME	145TC	kVA Code	L
DE AFBMA	25BC02JPP30	NEMA Des	B
ODE AFBMA	25BC02JPP30	Mtr WT	59.08
60 Hertz	3 Ph      TEFC	IP	35

Type of construction	( G ) Round body - C-Face
Motor protection	(A) No winding protection
Terminal box design	(3) Mounting - F-1

Bearing Data		
--------------	--	--

	DE	ODE
Bearing Size	6205 ZZ C3 S0	6205 ZZ C3 S0
Bearing Type	Ball Bearing	Ball Bearing
AFBMA	25BC02JPP30	25BC02JPP30

Typical Performance Data					
--------------------------	--	--	--	--	--

Load	No Load	1/2	3/4	Full Load	LRC
Efficiency		84.0 %	85.7 %	85.5 %	
Power Factor		69.0	81.3	87.6	
Current (A)	1.2 A	1.6 A	2.0 A	5.0 / 2.5 A	23.0 A
Inverter Duty	VT	20:1	CT	4:1	

Mechanical Data				
-----------------	--	--	--	--

SAFE STALL TIME	HOT (s)	13	COLD (s)	18
Rtr wt (lbs)	8.86	Rtr WK2	0.06	
FLT (lb-ft)	2.900	LRT	255	BDT 431
Ext Load Inertia (WK2) Capability	105.0 lb-ft <sup>2</sup>			

Typical Noise Data									
--------------------	--	--	--	--	--	--	--	--	--

A-weighted Sound	Octave Band Center Frequencies Hertz (Hz)								
Pressure Level	125	250	500	1000	2000	4000	8000	SPL	74
at 3 feet	32	52	69	70	67	60	51	SPwrL	83

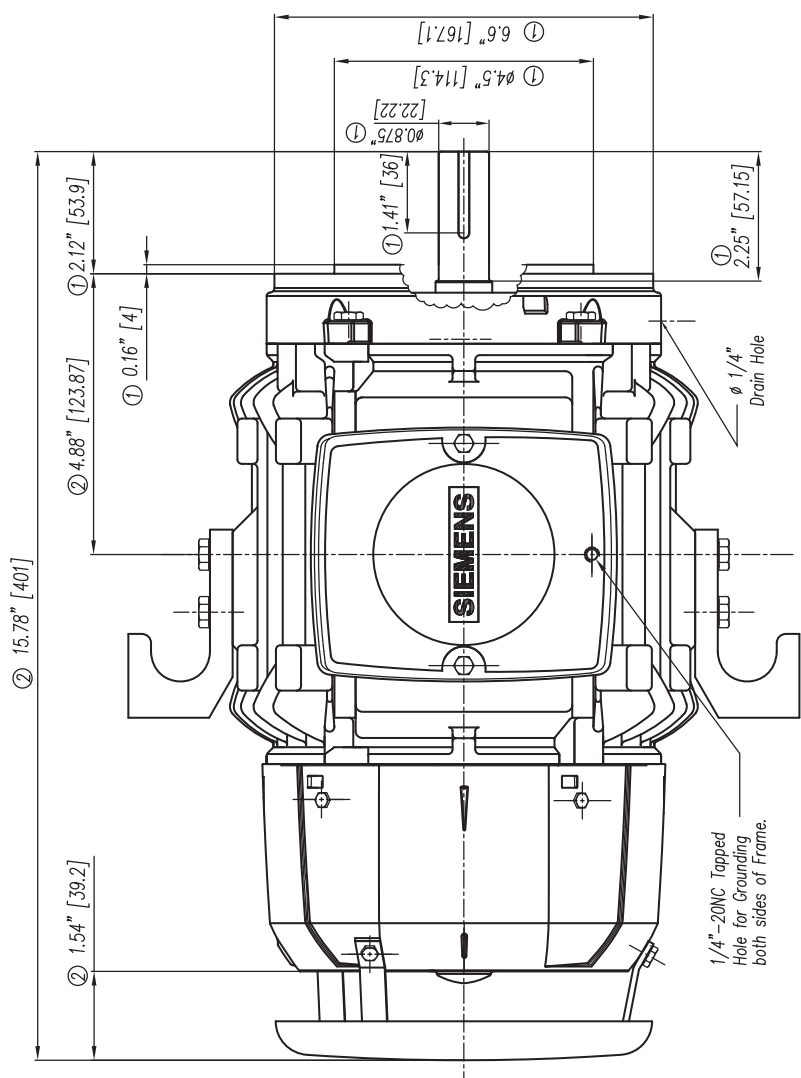
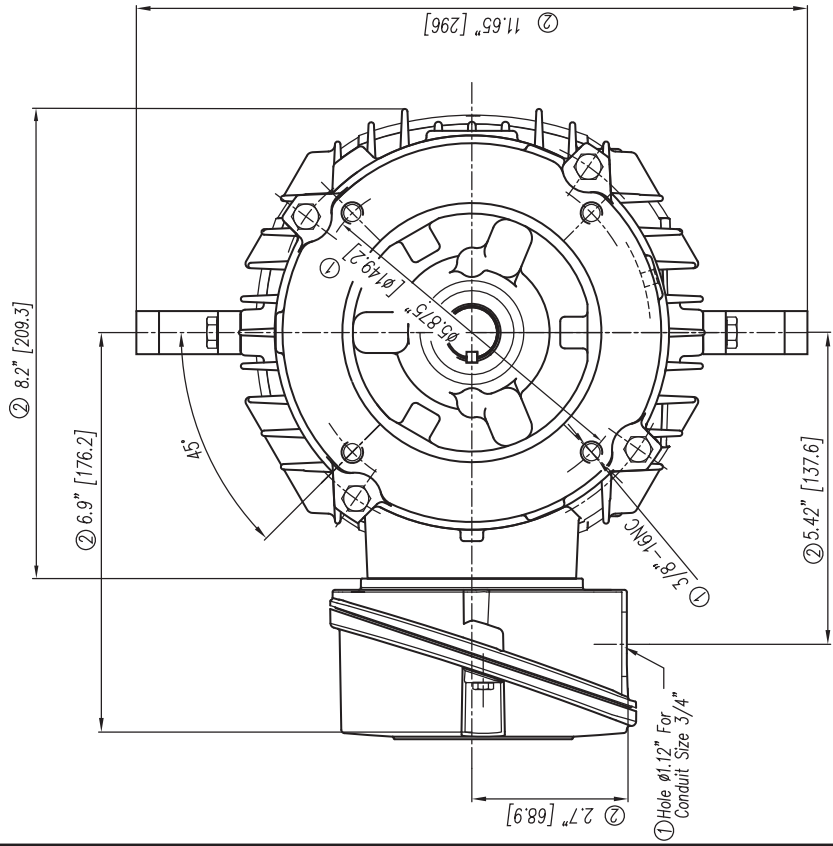
Wiring Connection Information					
-------------------------------	--	--	--	--	--

Description	3 PHASE - 9 LEAD - WYE				
Voltage	L1	L2	L3	Connected together	
LOW	T1 T7	T2 T8	T3 T9	T4 T5 T6      YY	
HIGH	T1	T2	T3	T4 T7-T5 T8-T6 T9      Y	

Special design :
------------------

Lubrication Information	
-------------------------	--

Manufacturer	Mobil Polyrex EM or equal
Type	Polyurea (standard)
DE Capacity (oz.)	0.30
ODEnd Capacity (oz.)	0.30

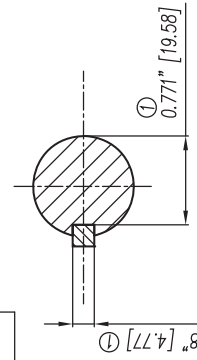


1/4"-20NC Tapped Hole for Grounding both sides of Frame.

ø 1/4" Drain Hole

- ① Tolerancias acorde a NEMA Std.
- ② All these dimensions corresponding to assemblies and castings shall have a tolerance as per DIN standard 1686-GTB 19.
- ③ Not According to NEMA Std.

CERTIFIED PRINT/CERTIFICACION			
CUSTOMER/CLIENTE		SUN/OSBORN/CLIFTER	
IP	ENV	FRAME/ENK	TYPE/TPD
		W/IS	PH/AS
			RE



Keyseat detail  
Detalle Cuñero

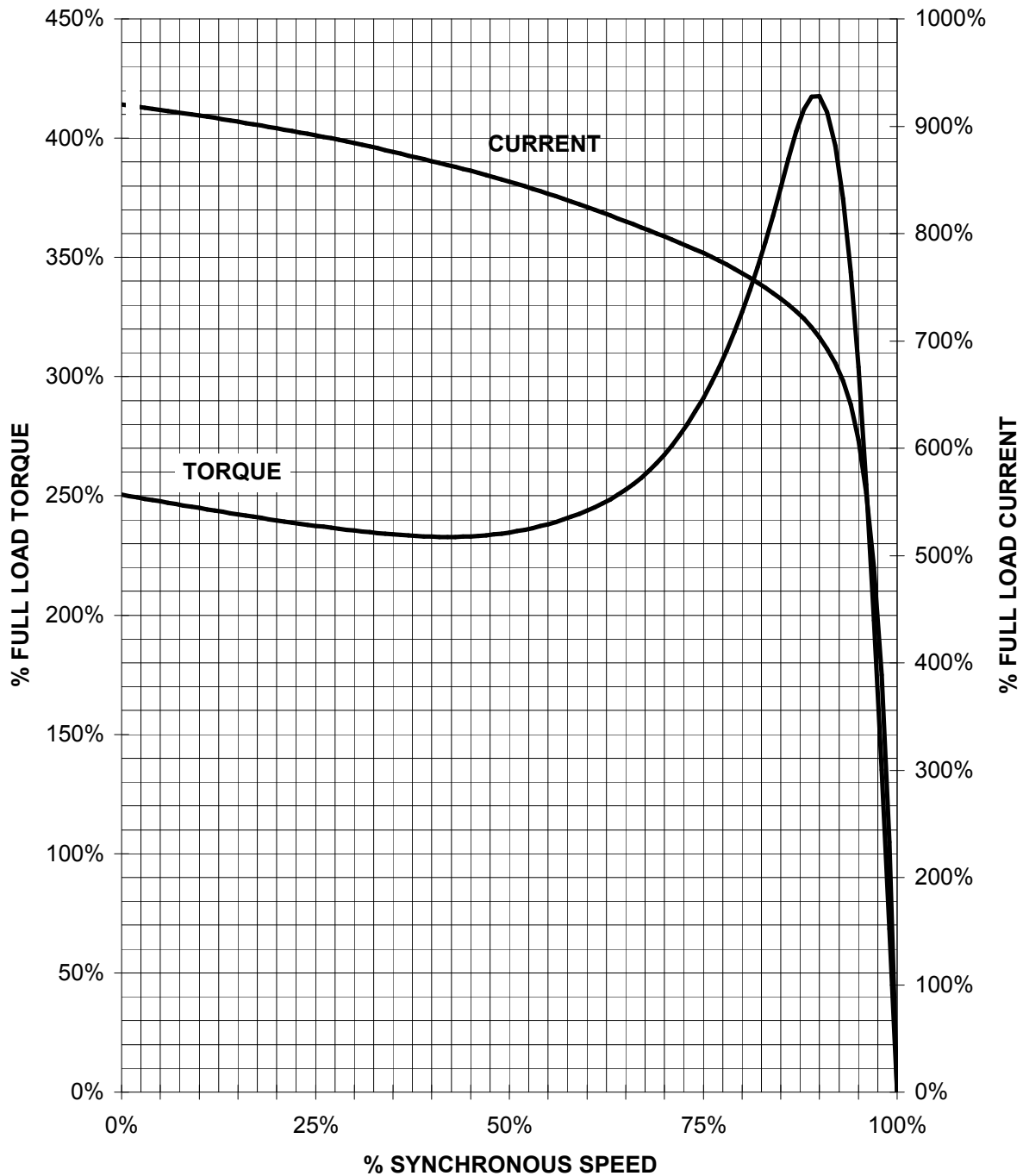
Tol. in mm. acc. to/Tol. en mm. según DIN-1686-GTB-19 Over/desde To/hasta	---	18	30	50	80	120	180	250	315	400	500	630	800
		± 4.5	± 4.7	± 5	± 5.5	± 6	± 6.5	± 7	± 7.5	± 8	± 8.5	± 9.5	± 10
European Projection/ Proyección Europea		Dim. in inches/Dim. en pulg.											
Date/Fecha 28/02/08	Name/Nombre Guaymán	Type/ Tipo: GP10 143/145TCY Frame											
Scale/ Escala Sin W/O		Ref. 3MSE 220 0852a											
SIEMENS GUADALAJARA FACTORY		Rep./ 3MSE 220 0852											

O se cambió formato a inglés-Español y se especificó tipos en los que aplica este dibujo.  
 a) Changed the format to English-Spanish and was specified in what kind of motors apply this drawing.

# SIEMENS INDUSTRY, INC.

HP 2 VOLTS < 600V RPM 3600 TYPE GP100  
HZ 60 PHASE 3 FRAME 145T NEMA B

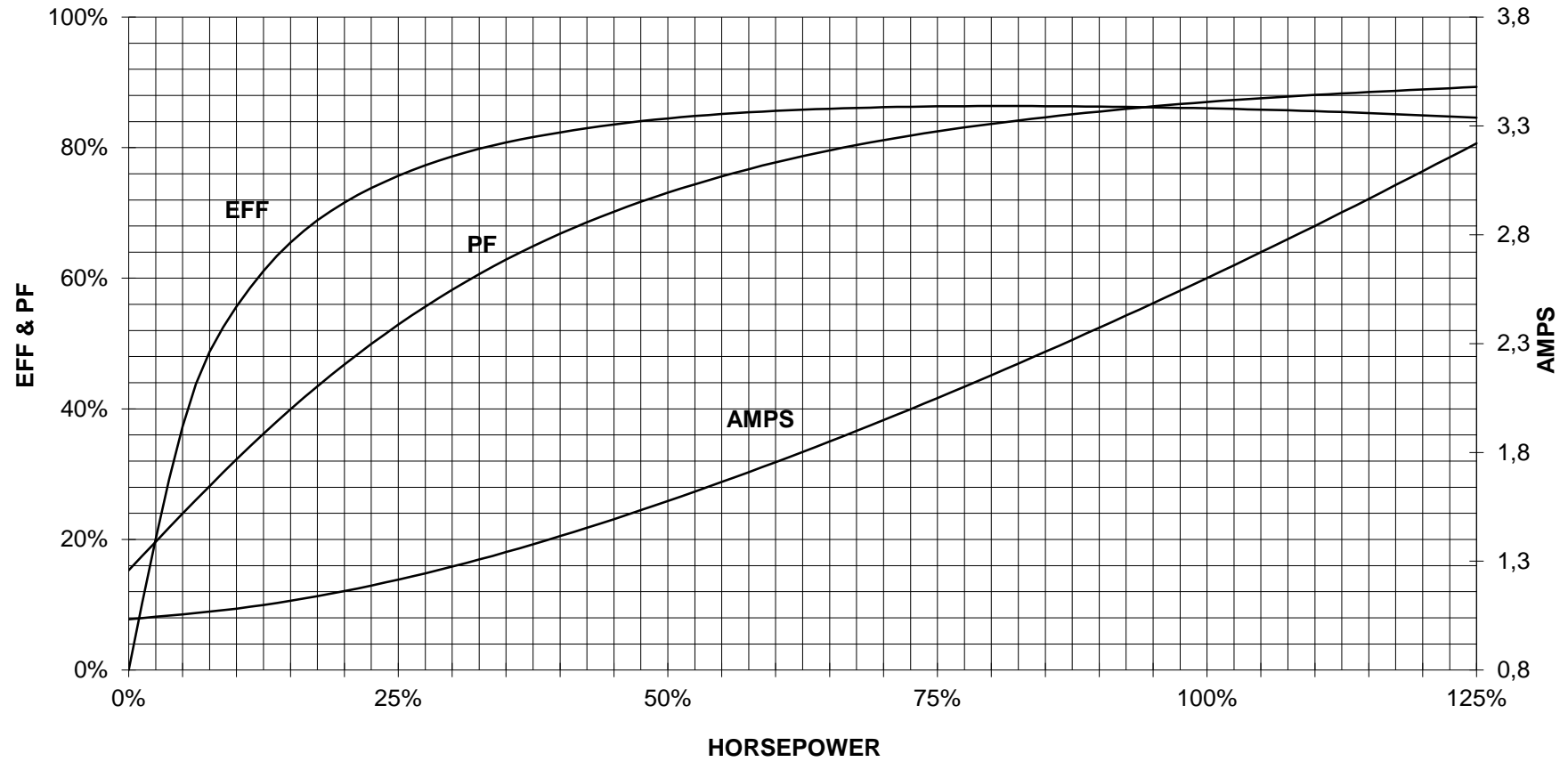
## TORQUE & CURRENT VS. SPEED



CUSTOMER: \_\_\_\_\_ ORDER#: \_\_\_\_\_

2 HP 3600 RPM 145T FRAME 460 VOLTS 3 PHASE NEMA DESIGN B

**SIEMENS INDUSTRY, INC.**  
**PERFORMANCE CURVE**  
**GP100**



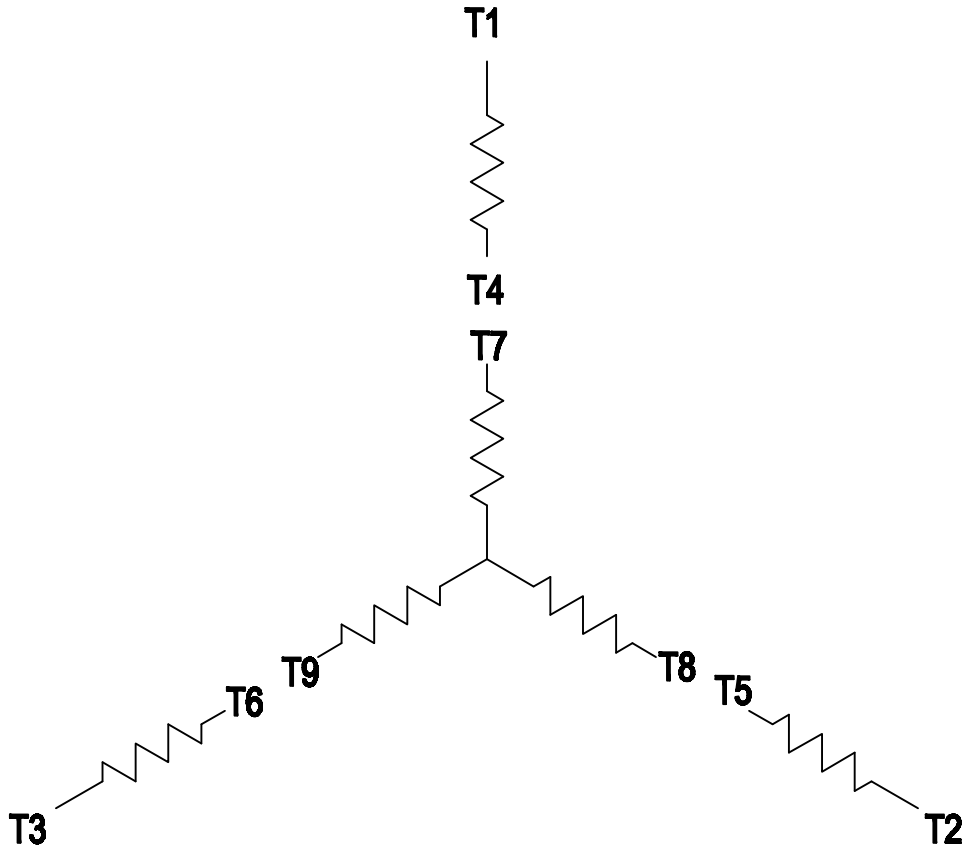
CUSTOMER \_\_\_\_\_ ORDER # \_\_\_\_\_ PO # \_\_\_\_\_

PERFORMANCE BASED ON DESIGN CALCULATIONS. SUBJECT TO CHANGE WITHOUT NOTICE.

REV. 1

### 3 PHASE - 9 LEADS - WYE

VOLTS	LINES			CONNECTED TOGETHER	CONN.
	L1	L2	L3		
LOW	T1 T7	T2 T8	T3 T9	T4 T5 T6	Y Y
HIGH	T1	T2	T3	T4 T7-T5 T8-T6 T9	Y



THIS IS A CAD DRAWING  
DO NOT MAKE MANUAL CHANGES

01 | 09-27-07

TYPE

-CONFIDENTIAL-

PROPERTY OF

Siemens Energy & Automation, Inc.  
Industrial Motor Division - Little Rock, AR

FRAME

HP

NAME

WIRING DIAGRAM

VOLTS

RPM

HZ

PH

3

Customer

PO #

SO #

DRAWN

9.24.07

DATE

JRH

CHECKED

DATE

APP

DATE

SHEET

1 OF 1

Sim. To

PART NO.

51-382-114-501

A