

NEMA Motor Data



Ordering data : **1LE2221-1AA11-4EA3**

Client order no. :
Order no. :
Offer no. :
Remarks :

Item no. :
Consignment no. :
Project :

Nameplate Data	Mounting and motor protection
----------------	-------------------------------

Type	GP100 - NEMA Premium Efficiency		
HP	1.0	Rating	Cont.
Voltage	(14) 208-230/460V,	Ins. Class	Class F (Standard)
Amps	2.8 / 1.4 A	S.F.	1.15
FL RPM	3520	Amb. Temp.	40 deg C
FL Efficiency	82.5 %	Temp. Rise	Class B
FRAME	143TC	kVA Code	K
DE AFBMA	25BC02JPP30	NEMA Des	B
ODE AFBMA	25BC02JPP30	Mtr WT	59.97
60 Hertz	3 Ph TEFC	IP	35

Type of construction	(E) Foot mounted - C-Face
Motor protection	(A) No winding protection
Terminal box design	(3) Mounting - F-1

Bearing Data		
--------------	--	--

	DE	ODE
Bearing Size	6205 ZZ C3 S0	6205 ZZ C3 S0
Bearing Type	Ball Bearing	Ball Bearing
AFBMA	25BC02JPP30	25BC02JPP30

Typical Performance Data					
--------------------------	--	--	--	--	--

Load	No Load	1/2	3/4	Full Load	LRC
Efficiency		79.3 %	82.1 %	82.5 %	
Power Factor		65.2	77.4	81.1	
Current (A)	0.7 A	0.9 A	1.1 A	2.8 / 1.4 A	12.0 A
Inverter Duty	VT	20:1	CT	4:1	

Mechanical Data					
-----------------	--	--	--	--	--

SAFE STALL TIME	HOT (s)	12	COLD (s)	16
Rtr wt (lbs)	7.47	Rtr WK2	0.04	
FLT (lb-ft)	1.500	LRT	173	BDT 380
Ext Load Inertia (WK2) Capability	105.0 lb-ft ²			

Typical Noise Data									
--------------------	--	--	--	--	--	--	--	--	--

A-weighted Sound	Octave Band Center Frequencies Hertz (Hz)								
Pressure Level	125	250	500	1000	2000	4000	8000	SPL	74
at 3 feet	32	52	69	70	67	60	51	SPwrL	83

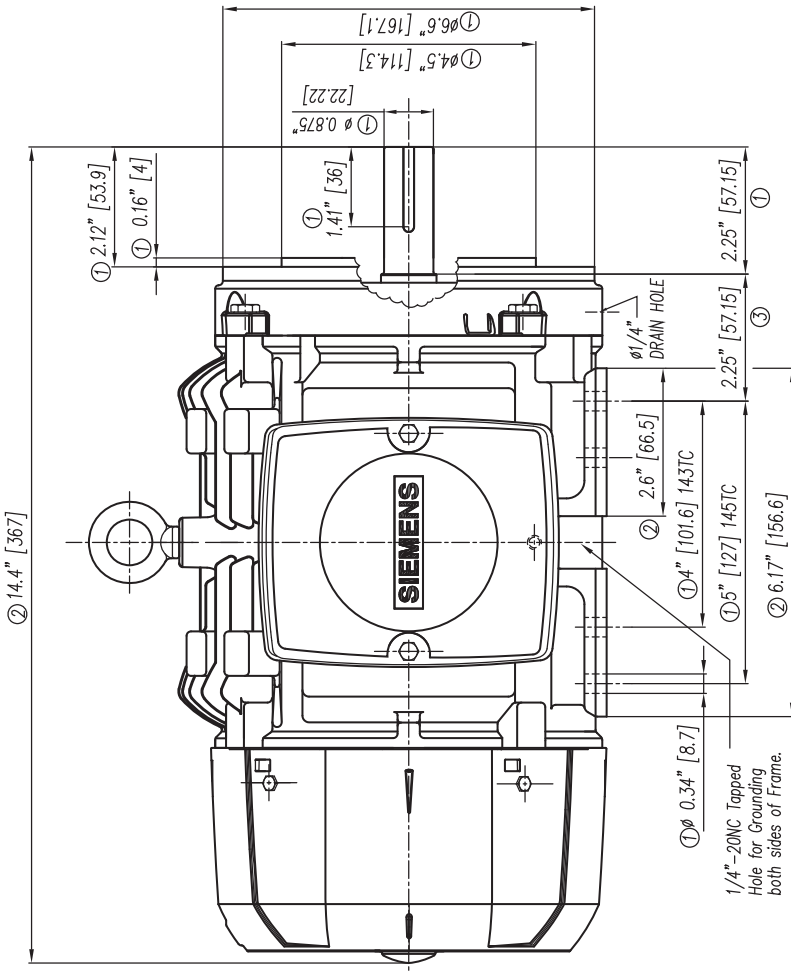
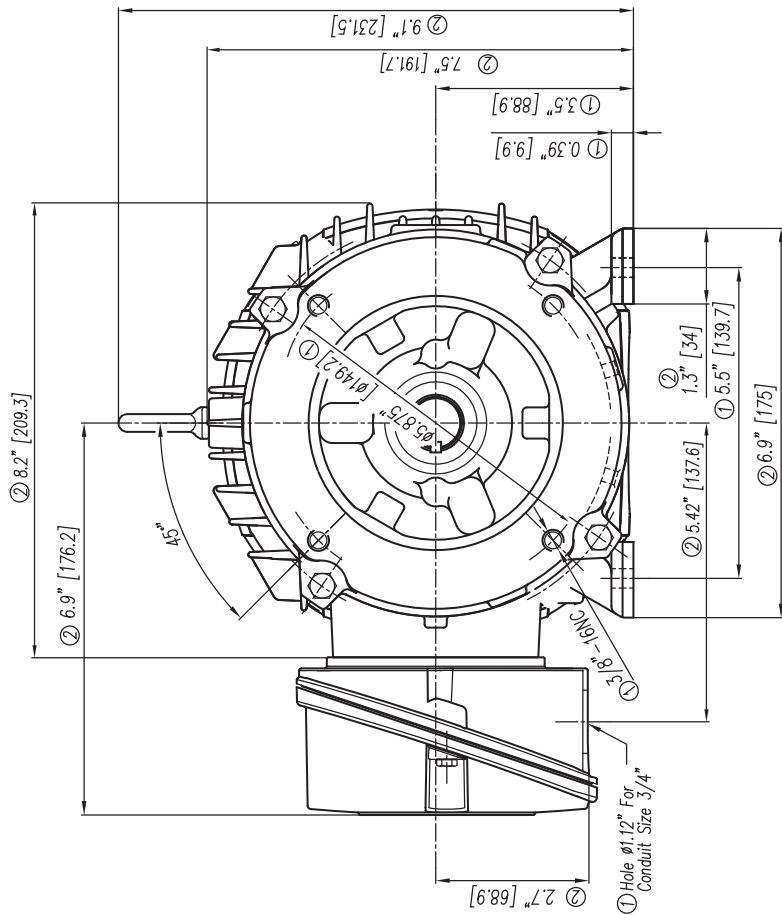
Wiring Connection Information					
-------------------------------	--	--	--	--	--

Description	3 PHASE - 9 LEAD - WYE				
Voltage	L1	L2	L3	Connected together	
LOW	T1 T7	T2 T8	T3 T9	T4 T5 T6 YY	
HIGH	T1	T2	T3	T4 T7-T5 T8-T6 T9 Y	

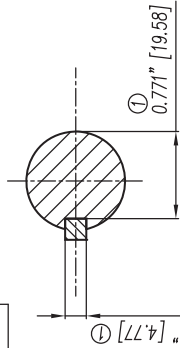
Special design :

Lubrication Information	
-------------------------	--

Manufacturer	Mobil Polyrex EM or equal
Type	Polyurea (standard)
DE Capacity (oz.)	0.30
ODEnd Capacity (oz.)	0.30



- ① Tolerancias According to NEMA Std.
- ② Tolerancias acorde a NEMA Std.
- ③ All these dimensions corresponding to assemblies and castings shall have a tolerance as per DIN standard 1686-GTB-19.
- ④ Not According to NEMA Std.



Keyseat detail
Detalle Cuñero

CERTIFIED PRINT / CERTIFICACION			
COMPANY	TYPE/TYPE	MARKS	REV
IP	FRANK/MARK	MARKS	REV
SIGNED/CERTIFIED			

Tol. in mm. acc. to Tol. en mm. segun DIN-1686-GTB-19	± 4.5
Over/desde	18
18	± 4.7
30	± 5
50	± 5.5
80	± 6
120	± 6.5
180	± 7
250	± 7.5
315	± 8
400	± 8.5
500	± 9
630	± 10

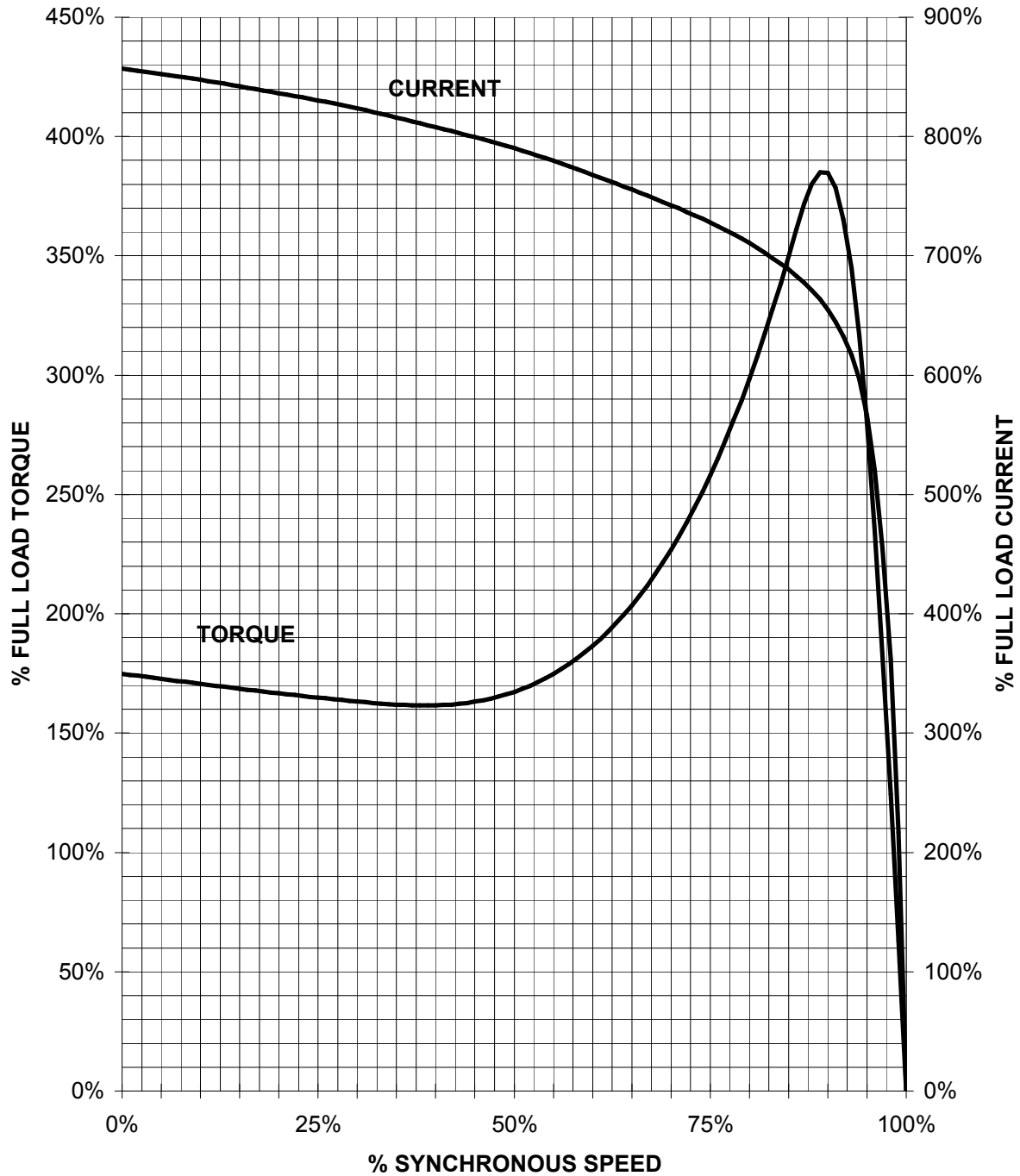
g) Se cambio formato a Inglés-Español y se especificó tipos en los que aplica este dibujo.
 a) Changed the format to English-Spanish and was specified in what kind of motors apply this drawing.

European Projection/Proyeccion Europea	Name/Nombre	Scale/Escaleta
Dim. in inches/Dim. en pulg.	Drawn/Elab. 28/02/08	Sn
Drawn/Elab.	Check/Rev.	W/O
Std. Cndt./Aut.	Type/ Tipo: GP100 143/145TC Armazón	
SIEMENS		
GUADALAJARA FACTORY		
3MSE 220 0851a		
Rep./ 3MSE 220 0851		

SIEMENS INDUSTRY, INC.

HP 1 VOLTS < 600V RPM 3600 TYPE GP100
HZ 60 PHASE 3 FRAME 143T NEMA B

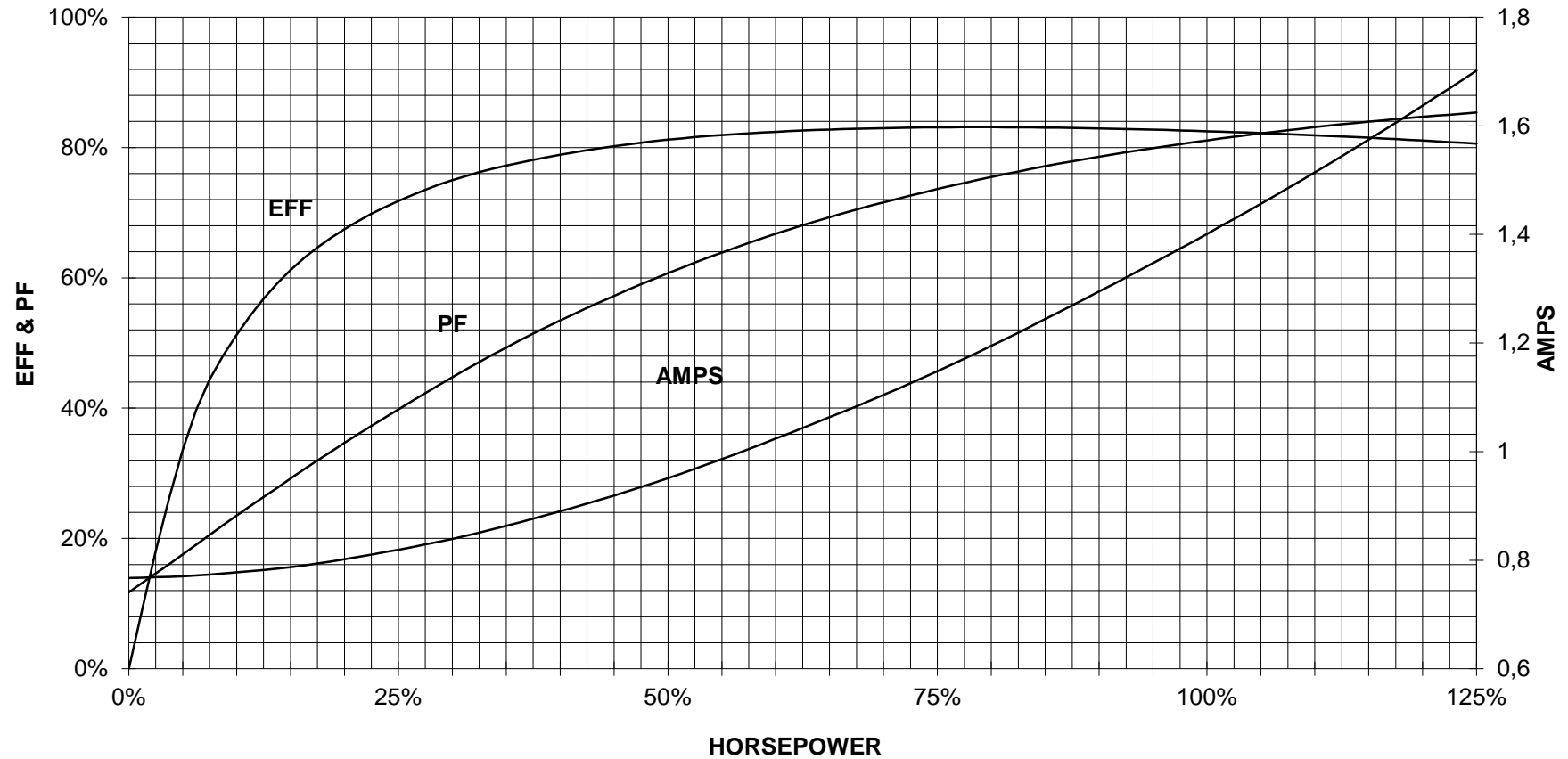
TORQUE & CURRENT VS. SPEED



CUSTOMER: _____ ORDER#: _____

1 HP 3600 RPM 143T FRAME 460 VOLTS 3 PHASE NEMA DESIGN B

SIEMENS INDUSTRY, INC.
PERFORMANCE CURVE
GP100



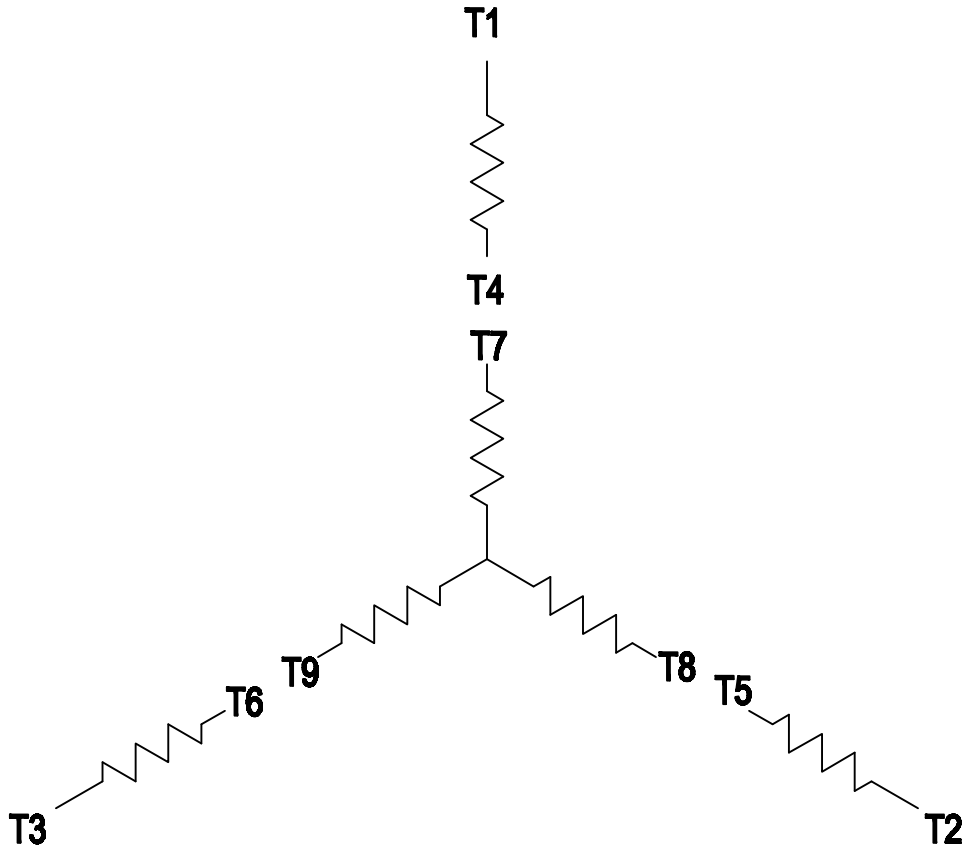
CUSTOMER _____ ORDER # _____ PO # _____

PERFORMANCE BASED ON DESIGN CALCULATIONS. SUBJECT TO CHANGE WITHOUT NOTICE.

REV. 1

3 PHASE - 9 LEADS - WYE

VOLTS	LINES			CONNECTED TOGETHER	CONN.
	L1	L2	L3		
LOW	T1 T7	T2 T8	T3 T9	T4 T5 T6	Y Y
HIGH	T1	T2	T3	T4 T7-T5 T8-T6 T9	Y



THIS IS A CAD DRAWING
DO NOT MAKE MANUAL CHANGES

01 | 09-27-07

TYPE

-CONFIDENTIAL-

PROPERTY OF

Siemens Energy & Automation, Inc.
Industrial Motor Division - Little Rock, AR

FRAME

HP

NAME

WIRING DIAGRAM

VOLTS

RPM

HZ

PH

3

Customer

PO #

SO #

DRAWN

9.24.07

DATE

JRH

CHECKED

DATE

APP

DATE

SHEET

1 OF 1

Sim. To

PART NO.

51-382-114-501

A