

**SIEMENS**



# SIMOTICS NEMA Motors

Low Voltage AC Motors  
Selection and Pricing Guide

[usa.siemens.com/motors](http://usa.siemens.com/motors)

D81.2  
Edition

04/2015

# Licensed Motors Have NEMA Premium® on their Nameplate



## Buy With Confidence

Buying a motor can be a difficult process. Is it the right size for the application? Is it the right design? Is it going to last? Is it going to perform to its specifications? Will it meet efficiency claims? The last question is easy to answer if NEMA Premium® is on the label.

## NEMA Premium® Licensees Meet a Higher Standard

All motor manufacturers are required to submit efficiency test data to the US Department of Energy to receive their Certificate of Compliance. Data must be compiled at any qualified test facility, including the manufacturers' own test laboratory.

It takes extra to wear the NEMA Premium® label. A NEMA Premium® Licensee has agreed to go beyond minimum US DOE requirements.

## NEMA Premium® Licensees Must Prove Efficiency Claims

What's on the nameplate is not what you always get when it comes to efficiency. Most manufacturers will attempt to ship what is on the nameplate, but do not always deliver. If you want assurance that a motor meets its efficiency claims, look for a NEMA Premium® certified motor.

## NEMA Premium® Licensees Must Submit to Third Party Testing

NEMA Premium® Licensees are required to ship motors from a distributor's inventory to a third party qualified laboratory for efficiency verification testing on a regular schedule. The specified motor is randomly selected.

NEMA Premium® licensees deliver what they claim, and you can buy with assurance.

# Table of Contents

## Introduction

Wide Selection of Motors	1-1
Electric Motor Energy Efficiency	1-2
Warranty and Support	1-3
Cancellation Charges and Change Notices	1-5
General Capabilities for Use with	
Adjustable Speed Drives	1-6
Website and Tools	1-7

## Motor Selection and Pricing

### SIMOTICS General Purpose Motors

GP100A (Aluminum Frame) – 460V	2-1
Aluminum Rotor	2-2
Copper Rotor	2-5
GP100A (Aluminum Frame) – 575V	2-6
Matched drive motor combination package	2-9
Spare Parts	2-10
GP100 – 460V	2-13
Aluminum Rotor	2-14
Copper Rotor	2-18
GP100 – 575V	2-20
Spare Parts	2-41

### SIMOTICS Severe Duty Motors

SD100 – 460V	2-27
Aluminum Rotor	2-28
Copper Rotor	2-32
SD100 – 575V	2-34
Matched drive motor combination package	2-38
Spare Parts	2-41
SD100 IEEEE841 – 460V	2-45
Aluminum Rotor	2-46
Copper Rotor	2-51
SD100 IEEEE841 – 575V	2-52
Spare Parts	2-57
SD661 – 460V and 575V	2-61
Aluminum Rotor	2-62
Spare Parts	2-63

### SIMOTICS Explosion Proof Motors

XP100 – 460V	2-65
Class I Groups C&D	
Class II Groups F&G, Division 1	
XP100 – 575V	2-70
Class I Groups C&D	
Class II Groups F&G, Division 1	
Spare Parts	2-72

XP100 ID1 – 460	2-75
Class I Group D, Division 1	2-76
XP100 ID1 – 575V	2-79
Class I Group D, Division 1	
Spare parts	2-80

### SIMOTICS Definite Purpose Motors

Multi Speed	2-83
SD10 MS – 460V and 575V	
1 Winding Variable Torque	2-84
(1800/900 RPM)	
Inverter Duty	
RGKESDI / RGZESDI	
Constant Torque – 1000:1	2-85
Vertical Solid Shaft	
RGZVESD	
Normal Thrust	2-89
RGZVILESD	
In-Line Thrust	2-95

### Special Features Detail

Special Features Detail Overview	3-2
Options Selection and Pricing	3-10

### Typical Performance Data

<b>Technical Notes</b>	<b>4-1</b>
<b>SIMOTICS General Purpose and Severe Duty Motors</b>	
GP100A / GP100	
Aluminum Rotor	4-2
Copper Rotor	4-4
SD100 / SD100 IEEEE841	
Aluminum Rotor	4-5
Copper Rotor	4-7

### SIMOTICS Explosion Proof Motors

XP100 / XP100 ID1	4-8
-------------------	-----

### SIMOTICS Definite Purpose Motors

SD10 MS	4-10
RGKESDI / RGZESDI	4-11
CT 1000:1	
RGZVESD / RGZVILESDI	4-13

# Table of Contents

---

## General Dimensions

### SIMOTICS General Purpose Motors

GP100A	5-1
GP100	5-2

### SIMOTICS Severe Duty Motors

SD100	5-6
SD100 IEEEE841	5-10

### SIMOTICS Explosion Proof Motors

XP100 / XP100 ID1	5-15
-------------------	------

### SIMOTICS Definite Purpose Motors

SD10 MS	5-19
RGZVESD / RGZVEILSD	5-23

### SIMOTICS Conduit Boxes

General Purpose	5-24
GP100A / GP100	
Severe Duty	5-25
SD100 / SD100 IEEEE841 / SD10 MS	
Explosion Proof	5-26
XP100 / XP100 ID1	
Definite Purpose	5-27
RGZ Motors	

---

## Part Number Index

SIMOTICS NEMA Motors	6-1
----------------------	-----

# Introduction

## Wide selection of motors

### Wide selection

Providing value also means having the right motor for the job. At Siemens, we strive to offer a wide variety of motor types, in all frame sizes and power ratings with a comprehensive set of options and quick modifications. As you read these words, our highly qualified research and development group is working to add to this list as part of our commitment to become your single source for motors.

### The right efficiency for your application

To meet your cost of ownership and motor management needs, Siemens offers several levels of energy efficiency in many of its motors:

- Energy Efficient (MG1 Table 12-11)
- NEMA Premium® (MG1 Table 12-12)
- NEMA Premium® Plus

### The world's most energy efficient line of motors

Lower your energy costs today with the world's most energy efficient line of motors. New regulatory standards and rising energy costs create increasing pressure to maximize energy efficiency and reduce your carbon footprint. Siemens breakthrough copper-rotor motors have set new standards for efficiency. By adding copper to the stator windings, Siemens has developed motors that can withstand the heat. Two-thirds of an AC induction motor's electrical loss occurs in the stator. The addition of the copper rotor reduces wasteful, resistive heating. Copper's volumetric electrical conductivity is approximately 66% higher than aluminum, thus providing us with the opportunity to offer motors that can exceed the efficiency requirements of MG Table 12-12.

### Total customer support

When you're looking for a motor, look for a highly trained specialist to help you match the right motor to your specific needs. Siemens sales engineers have the knowledge, training and experience to help you solve performance or installation challenges to ensure that you will receive the best value for your investment. Our customer service center takes pride in putting our customers first. Whether it's an expedited shipment, tracking your order, or making sure your motor is properly installed, these professionals won't be satisfied until you are.



### Availability

Siemens has hundreds of distributor stocking locations throughout North America with a wide selection of NEMA and IEC frame sizes and ratings. Motors are available same day from a local source you can trust.

Need something special? Our modification centers have complete motor modification capabilities to help you get the exact motor you need, when you need it.

### Iron-clad quality

The quality of our motors begins with the design experience we have gained through more than 100 years of manufacturing and installing motors. We build on this experience every day with new designs that incorporate the latest materials and techniques to provide even higher levels of performance, operating efficiency and reliability.

These advanced motor designs are manufactured in a state-of-the-art, ISO 9001 certified facility. Here, our manufacturing technicians subject each motor to more than 100 separate quality inspections before it leaves our plant ensuring it meets the high standards our customers expect.

# Introduction

## Electric Motor Energy Efficiency

### U.S. Dept. of Energy Integral Horsepower Motor Rule Effective June 1, 2016

The United States Department of Energy passed a final rule in 2014, that covers 1 -500 HP (0.75 -370 KW) 3-phase electric motors. The new law will supersede the Energy Independence & Security Act (EISA) of 2007 and become effective June 1, 2016. For reference and complete wording of the law, refer to:  
[http://www.energy.gov/sites/prod/files/2014/05/f15/electric\\_motors\\_ecs\\_final\\_rule.pdf](http://www.energy.gov/sites/prod/files/2014/05/f15/electric_motors_ecs_final_rule.pdf)

The new legislation broadens the number of motor types covered and closes most of the loopholes that permitted exceptions in both EPA 1992 and EISA 2007 legislation. In essence, most 3-phase industrial motors manufactured will be required to meet the efficiencies listed in NEMA MG-1, table 12-12 (reference NEMA Premium® efficiency).

Additional motor types covered include, but are not limited to:

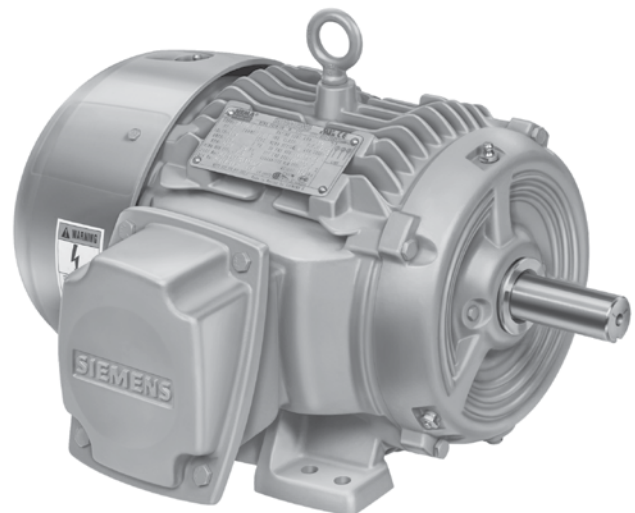
- 201-500 HP (previously 1 – 200 HP)
- Footless (C-face & D-flange)
- Vertical (HP & LP)
- 8-pole (900 RPM)
- Brakemotors (integral and add-on)
- Motors with customer special shafts, flanges and mountings
- IEC 100 frame

Motors that are not covered by mandated efficiency regulations are:

- Multi-speed (SD10MS)
- Inverter duty only (RGZVESDI)

***The majority of Siemens low voltage motors listed in this price guide currently meet, or exceed, the June 1, 2016 mandatory regulations. Industry-leading, die cast copper rotor motors, exceed all efficiency requirements.***

Vertical, solid shaft, P-base (HP & LP) motors will be available in the near future, with NEMA Premium® efficiencies as standard.



# Introduction

## Warranty and support

Siemens Industry, Inc.  
Drive Technology  
SIMOTICS NEMA Motors

### Warranty procedure

#### Standard terms and conditions of sale

Warranty – Company warrants that on the date of shipment to purchaser the goods will be of the kind and quality described herein, merchantable, and free of defects in workmanship and material.

If within one year from date of operation, but not more than eighteen months from date of shipment by Company, of any item of the goods, purchaser discovers that such item was not as warranted above and promptly notifies company in written thereof, Company shall remedy such defect by, at Company's option, adjustment, repair, or replacement of the item and any affected part of the goods. Purchaser shall assume all responsibility and expense for removal, reinstallation and freight in connection with the foregoing remedy. The same obligations and conditions shall extend to replacement items furnished by company here under. Company shall have the right of disposal of items replaced by it. Purchaser shall grant Company to determine any defect in the goods. In the event that adjustment, repair or replacement does not remedy the defect, the Company and Purchaser shall negotiate in good faith an equitable adjustment in the contract price.

#### Service calls and overtime are not covered under Siemens warranty policy.

The Company's responsibility does not extend to any item of the goods which has not been manufactured and sold by Company. Such item shall be covered only by express warranty, if any, of the manufacture thereof. The Company and its suppliers shall also have no responsibility if the goods have been improperly stored, handled, or installed or if the goods have not been operated or maintained according to their ratings or according to instructions in Company or supplier furnished manuals, or if unauthorized repairs or modifications have been made to the goods.

THIS WARRANTY IS EXPRESSLY IN LIEU OF ALL OTHER WARRANTIES (EXCEPT TITLE), INCLUDING BUT NOT LIMITED TO IMPLIED WARRANTIES OF MERCHANTABILITY AND FITNESS, AND CONSTITUTES THE ONLY WARRANTY OF COMPANY WITH RESPECT TO THE GOODS.

The foregoing states Purchasers exclusive remedy against Company and its suppliers for any defect in the goods or for failure of the goods to be as warranted, whether Purchaser's remedy is based on contract, warranty, failure of such remedy to achieve its essential purpose, tort (including negligence), indemnity or any other legal theory, and whether arising out of warranties, representations, instructions, installations or defects from any cause.

SIMOTICS warranty type	
A. <b>12 Months</b> <b>18 Months</b> GP100, GP100A	<b>In Service</b> <b>After Shipment</b> <b>Which ever comes first</b>
<b>3 years</b> RGZESDI, RGZVESD, RGZVILESD SD10, SD100, XP100, XP100 ID1	<b>After shipment</b>
<b>5 years</b> SD100 IEEE841	<b>After shipment</b>
B. <b>Remedy</b>	<b>Siemens option</b> Repair Replace
C. <b>Purchaser's</b>	<b>Responsibility</b> Transportation damage claims Removal Freight
D. <b>Specifically</b>	<b>Excludes</b> Improper storage In and out costs
E. <b>Shipment</b>	<b>Normal</b> FOB our dock Freight allowed

# Introduction

## Warranty and support

### Reference notes

1. After the inspection, contact Little Rock Plant for authorization of repair or replacement. Unapproved repairs will be denied.
2. Removal, reinstallation, freight and service calls are NOT covered by warranty.
3. A standard EASE Warranty report must be filled out and a Siemens job/p.o. # issued. The Warranty report and nameplate (if motor scrapped in the field) plus the invoice must be sent to the Little Rock Plant.
4. Premium efficiency motors will modify major repair pricing by increasing schedule 10%.
5. Allowances listed are for open drip-proof and totally enclosed, non-ventilated motors with class B or F insulation and all voltages between 100 and 600 volts. For variations consult factory.
6. Minor repairs – consist of all the operations listed under minor repairs plus the cost of material and rewinding of stator. If no allowance is shown, consult the factory.
7. Major repairs-consist of all the operations listed under major repairs plus the cost of material and rewinding of stator. If no allowance is shown, consult the factory.
8. Shaded areas represent units that will be replaced when possible, without repairs.
9. Replacement Parts – will be furnished at no Charge from the factory, i.e. bearings for 40 HP and above.
10. Replacement Motors – will be furnished at no Charge from the factory. Should it be necessary for reasons of expediency for the service shop to replace a motor from their stock, a replacement motor will be furnished at no Charge from the factory, shipped Freight allowed.
11. Defective parts, i.e. bearings, are subject to return upon request to the factory for inspection and approval for reimbursement.

### Date coding

Siemens SIMOTICS motors are date coded by the model number/date code/serial number on the nameplate.

Siemens date codes for NEMA frame size, low voltage motors built in USA and Mexico is as follows:  
The first digit is alphabetic and represents the month. The second and third digits are numeric and are the last two digits of the year.

A = January	G = July
B = February	H = August
C = March	J = September
D = April	K = October
E = May	L = November
F = June	M = December

### IMPORTANT NOTICE

**MAIL INVOICE PLUS PROPER WARRANTY REPAIR REPORT TO THE WARRANTY ADMINISTRATOR. IF SIEMENS IS TO BE BILLED FOR OVERTIME, AUTHORIZATION MUST BE OBTAINED FROM WARRANTY ADMINISTRATOR BEFORE OVERTIME WORK IS PERFORMED. MATERIAL AND SERVICES ARE PURCHASED FOR RESALE AND ARE EXEMPT FROM STATE AND LOCAL SALES AND USE TAX.**



# Introduction

## Cancellation charges and change notices

### Cancellation charges

Note: A minimum charge of \$100 will be assessed for any order cancellation for modified or custom motors.

### Stock motors

- No charges will be incurred if an order is cancelled prior to shipment.
- A stock motor is returnable (freight paid by purchaser) immediately after shipment if returned in “new” condition (original, undamaged packaging) for a minimum restocking charge of 20% of the motor net price.

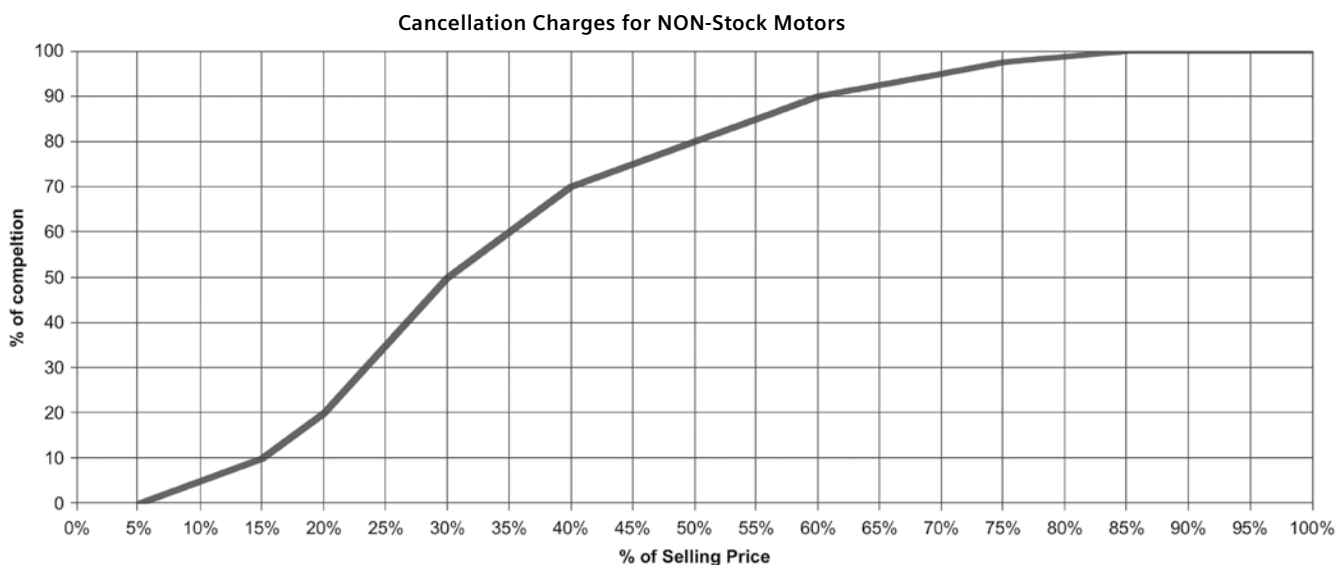
### Non-stock motors

- For non-stock motors, the following graph will apply to determine cancellation charges after the order is received and entered at the factory. Completion progress will be determined by a Siemens Customer Service Representative.

- A charge of 15% of the total net motor price will be assessed if an order is cancelled after it has been released for engineering and drafting whether or not the drawings have been completed and/or submitted for approval.

### Change notice

All change notices applied to in-process orders logged into the Siemens customer service department and requiring a product change will be subject to a \$100 net charge plus the applicable modification adder. Delivery dates will be adjusted according to the type of change/ modification requested. This policy does not pertain to commercial Changes such as “ship to” or “bill to” addresses.



# Introduction

## General capabilities for use with adjustable speed drives

The SIMOTICS product line offer a variable speed drive operation for both severe duty and general purpose applications as well as for explosion proof classifications areas. In general, our standard line design is suitable for inverter or vector applications where a maximum of 4:1

constant torque is required, motors with copper rotor design GP100, SD100 and SD100 IEE841 can provide up to 10:1 Constant torque and our Severe Duty line in four pole motors frame sizes 143-365 is suitable for up to 20:1 constant torque.

## Variable speed drive operation

### Severe Duty Motors: SD100, SD661, SD841

Frame	Constant Torque	Variable Torque	Class I, Div. 2 Gr. A, B, C or D 2) Class I, Zone 2, Groups IIC	3) Class II, Div. 2 Gr. F & G
			Temperature code Max. Temperature	Temperature code Max. Temperature
143T - 145T	20:1	20:1	T4 (275°F)	T4A (120°F)
182T - 184T	20:1	20:1	T3A (180°F)	T4A (120°F)
213T - 215T	20:1	20:1	T3A (180°F)	T4A (120°F)
254T - 256T	20:1	20:1	T3A (180°F)	T4A (120°F)
324T - 326T	20:1	20:1	T3A (180°F)	T4A (120°F)
364T - 365T	20:1	20:1	T3A (180°F)	T4A (120°F)
404T - 405T	1) 10:1	20:1	T3A (180°F)	T4A (120°F)
444T - 445T	1) 10:1	20:1	T3 (200°F)	T4A (120°F)
447T	1) 6:1	20:1	T3 (200°F)	T4A (120°F)
449T	4:1	20:1	T2D (215°F)	T4A (120°F)
S449	4:1	20:1	T2D (215°F)	T4A (120°F)

### Explosion Proof Motors: XP100, XP100 ID1

Frame	Constant Torque	Variable Torque	XP100 Class I, Div. 1 Gr. C and D Class I, Div 2, Groups E, F and G	Class I, Div. 1 Gr. D		
			Temperature code Max. Temperature	Temperature code Max. Temperature	Constant Torque	Variable Torque
143T - 145T	4:1	20:1	T3C (160°F)	T2D (215°F)	4:1	100:1
182T - 184T	4:1	20:1	T3C (160°F)	T2D (215°F)	4:1	100:1
213T - 215T	4:1	20:1	T3C (160°F)	T2D (215°F)	4:1	100:1
254T - 256T	4:1	20:1	T3C (160°F)	T2D (215°F)	4:1	100:1
324T - 326T	4:1	20:1	T3C (160°F)	T2D (215°F)	4:1	100:1
364T - 365T	1) 6:1	20:1	T3C (160°F)	T2D (215°F)	4:1	100:1
404T - 405T	1) 6:1	20:1	T3C (160°F)	T2D (215°F)	4:1	100:1
444T - 445T	1) 6:1	20:1	T3C (160°F)	T2D (215°F)	4:1	100:1
447T	1) 4:1	20:1	T3C (160°F)	T2D (215°F)	4:1	100:1

1) \*4:1 C.T. for std fan, 6:1 or 10: C.T. M05 option code.

2) Marking of Zone 2 as option (M22 – additional nameplate).

3) Available as an option (L29 +L81 +M25 -Seal leads, Inpro®Seal, additional marking plate).

# Introduction

## General capabilities for use with adjustable speed drives

### Variable speed drive operation

#### General Purpose Motors: GP100, GP100A

Frame	Constant Torque	Variable Torque
143T - 145T	20:1	20:1
182T - 184T	20:1	20:1
213T - 215T	20:1	20:1
254T - 256T	20:1	20:1
324T - 326T	20:1	20:1
364T - 365T	20:1	20:1
404T - 405T	4:1	20:1
444T - 445T	4:1	20:1
447T	4:1	20:1
449T	4:1	20:1

#### Copper Rotor Motors: GP100, GP100A

Frame	Constant Torque	Variable Torque
143T - 145T	10:1	20:1
182T - 184T	10:1	20:1
213T - 215T	10:1	20:1
254T - 256T	10:1	20:1

#### SD100, SD841

Frame	Constant Torque	Variable Torque
143T - 145T	20:1	20:1
182T - 184T	20:1	20:1
213T - 215T	20:1	20:1
254T - 256T	20:1	20:1

# Introduction

## Selection and configuration tools

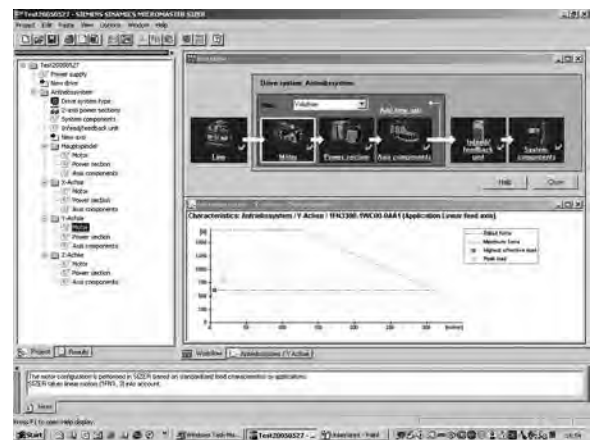
In our **Website** you will find all sorts of useful information, pre-sales information, technical information, contacts and local partners as well as on-line support. [www.usa.siemens.com/nema-motors](http://www.usa.siemens.com/nema-motors)



The **DT configurator** has been developed to facilitate the selection of motors and its wide range of special features. It is integrated as an offline "Selection Tool" in the interactive catalog CA01 and is also available on line. The DT Configurator not only renders the correct ordering part number for you, but also provides all relevant documentation to the selection, operating instructions, data sheets, curves and dimensional drawings. [www.siemens.com/dtconfigurator](http://www.siemens.com/dtconfigurator)

**Size configuration tool** provides an easy-to-use means for configuring drives and controls while at the same time supports all engineering steps in one workflow:

- Configuring the power supply
- Motor and gearbox design, including calculations of mechanical transmission elements
- Configuring the drive components
- Selecting the required accessories
- Selecting the line-side and motor-side power options, e.g. cables, filters and reactors



The energy-saving program **SinaSave** is suitable for application with motors for on-line fed operation (fixed speed) and inverter-fed operations (variable speed). With on-line operation, you can calculate the cost savings as well as the amortization time for the additional cost of the Siemens energy-saving motors with three different comparison cases, efficiency comparison, motor comparison and overall plant analysis.

# SIMOTICS General purpose motors

## GP100A (Aluminum frame)

**GP100A** general purpose TEFC motors meet or exceed NEMA Premium® efficiency, with our exclusive, leading-edge, die cast copper or our die cast aluminum rotor designs. Either way, these motors significantly reduce operating costs and pay for themselves in a short time through energy savings. These light-weight, flexible mounting industry motors are ideal for use in material handling, pump, fan, compressor and many other industrial applications.



Modifiable – Siemens SIMOTICS GP100A motors are available with a variety of QuikMOD modifications and kits.

HP range	Frame Size	<b>1-20 HP</b> 143T-256T
Efficiency	NEMA Premium® Plus NEMA Premium®	143T-256T 143T-256T
Voltage	208-230 / 460 V 575 V	3 phase 60Hz 1-20HP 1-20HP
Insulation	Insulation Class F Service Factor @ 40°C Temperature rise (Sine wave)	<b>NEMA design B</b> NEMA MG1 Part 31 1.15 Class B @ 1.05F Class F @ 1.155F
Frame	8 hole feet Condensation drains High strength carbon steel shaft V ring slinger - IP54	<b>Die Cast Aluminum</b> Bolt-on Drain holes Two on lowest point in frame C1045 DE only
Stator/Windings rotor	Stator Rotor, die cast copper Rotor, die cast aluminum	Random wound copper 143T-256T 143T-256T
Conduit box	Die cast aluminum O-ring	<b>Oversized</b> 143T-256T 143T-256T
Bearings	Double shielded Bearing housing Grease Inlet / relief fittings	143T-256T Aluminum Polyurea base no
Fan and fan cover	Cover Bidirectional fan	Plastic - 143T-256T 143T-256T Polypropylene
Hardware	Nameplate Lifting eyebolt Paint	Rust resistant Zinc plated Aluminum engraved Cast in Alkyd Modified - RAL7030
Inverter duty	Variable torque 20:1 Constant torque 10:1 Constant torque 4:1	143T-256T Copper rotor 143T-256T Aluminum rotor 143T-256T

NEMA Premium® is a certification mark of the National Electrical Manufacturers Association.

# SIMOTICS General purpose motors

GP100A (Aluminum frame)

NEMA Premium®

Die cast aluminum rotor

460V 60Hz – Foot mounted

HP	RPM	Frame	Voltage	Type	Part Number	List price \$	Multi. Symb.	FL amps	FL Nom Eff. (%)	Lbs	Stock
1	3600	143T	208-230/460	GP100A	1LE21211AA114AA3	429	GPA2	1.4	82.5	29	✓
1	1800	143T	208-230/460	GP100A	1LE21211AB214AA3	429	GPA2	1.4	85.5	41	✓
1	1200	145T	208-230/460	GP100A	1LE21211AC314AA3	533	GPA2	1.6	82.5	45	✓
1.5	3600	143T	208-230/460	GP100A	1LE21211AA214AA3	440	GPA2	2.0	84.0	35	✓
1.5	1800	145T	208-230/460	GP100A	1LE21211AB314AA3	471	GPA2	2.1	86.5	47	✓
1.5	1200	182T	208-230/460	GP100A	1LE21211CC114AA3	570	GPA2	2.4	87.5	63	✓
2	3600	145T	208-230/460	GP100A	1LE21211AA314AA3	511	GPA2	2.5	85.5	38	✓
2	1800	145T	208-230/460	GP100A	1LE21211AB414AA3	513	GPA2	2.8	86.5	46	✓
2	1200	184T	208-230/460	GP100A	1LE21211CC314AA3	629	GPA2	3.2	88.5	72	✓
3	3600	182T	208-230/460	GP100A	1LE21211CA114AA3	570	GPA2	3.8	86.5	57	✓
3	1800	182T	208-230/460	GP100A	1LE21211CB114AA3	590	GPA2	4.0	89.5	68	✓
3	1200	213T	208-230/460	GP100A	1LE21212AC114AA3	809	GPA2	4.3	89.5	104	✓
5	3600	184T	208-230/460	GP100A	1LE21211CA314AA3	741	GPA2	6.0	88.5	67	✓
5	1800	184T	208-230/460	GP100A	1LE21211CB314AA3	671	GPA2	6.5	89.5	74	✓
5	1200	215T	208-230/460	GP100A	1LE21212AC214AA3	1207	GPA2	6.7	89.5	116	✓
7.5	3600	213T	208-230/460	GP100A	1LE21212AA114AA3	969	GPA2	8.8	89.5	100	✓
7.5	1800	213T	208-230/460	GP100A	1LE21212AB114AA3	939	GPA2	9.7	91.7	130	✓
7.5	1200	254T	208-230/460	GP100A	1LE21212BC114AA3	1540	GPA2	10.0	91.0	200	✓
10	3600	215T	208-230/460	GP100A	1LE21212AA214AA3	1142	GPA2	11.5	90.2	113	✓
10	1800	215T	208-230/460	GP100A	1LE21212AB214AA3	1142	GPA2	12.5	91.7	136	✓
10	1200	256T	208-230/460	GP100A	1LE21212BC214AA3	1814	GPA2	13.5	91.0	196	✓
15	3600	254T	208-230/460	GP100A	1LE21212BA114AA3	1493	GPA2	17.5	91.0	196	✓
15	1800	254T	208-230/460	GP100A	1LE21212BB114AA3	1457	GPA2	19.0	92.4	198	✓
20	3600	256T	208-230/460	GP100A	1LE21212BA214AA3	1848	GPA2	22.5	91.0	231	✓
20	1800	256T	208-230/460	GP100A	1LE21212BB214AA3	1755	GPA2	25.0	93.0	229	✓

NEMA Premium® is a certification mark of the National Electrical Manufacturers Association.  
QuikMOD Delivery for stocked motors only.

Stock availability subject to change.  
Prices and Specifications are subject to change without notice.  
DOE#CC 032A

# SIMOTICS General purpose motors

GP100A (Aluminum frame)

NEMA Premium®

Die cast aluminum rotor

460V 60Hz – C-face Foot mounted

HP	RPM	Frame	Voltage	Type	Part Number	List price \$	Multi. Symb.	FL amps	FL Nom Eff. (%)	Lbs	Stock
1	3600	143TC	208-230/460	GP100A	1LE21211AA114EA3	535	GPA2	1.4	82.5	29	✓
1	1800	143TC	208-230/460	GP100A	1LE21211AB214EA3	535	GPA2	1.4	85.5	41	✓
1	1200	145TC	208-230/460	GP100A	1LE21211AC314EA3	642	GPA2	1.6	82.5	45	
1.5	3600	143TC	208-230/460	GP100A	1LE21211AA214EA3	546	GPA2	2.0	84.0	35	✓
1.5	1800	145TC	208-230/460	GP100A	1LE21211AB314EA3	578	GPA2	2.1	86.5	47	✓
1.5	1200	182TC	208-230/460	GP100A	1LE21211CC114EA3	723	GPA2	2.4	87.5	63	
2	3600	145TC	208-230/460	GP100A	1LE21211AA314EA3	619	GPA2	2.5	85.5	38	✓
2	1800	145TC	208-230/460	GP100A	1LE21211AB414EA3	621	GPA2	2.8	86.5	46	✓
2	1200	184TC	208-230/460	GP100A	1LE21211CC314EA3	784	GPA2	3.2	88.5	72	
3	3600	182TC	208-230/460	GP100A	1LE21211CA114EA3	723	GPA2	3.8	86.5	57	✓
3	1800	182TC	208-230/460	GP100A	1LE21211CB114EA3	744	GPA2	4.0	89.5	68	✓
3	1200	213TC	208-230/460	GP100A	1LE21212AC114EA3	969	GPA2	4.3	89.5	104	
5	3600	184TC	208-230/460	GP100A	1LE21211CA314EA3	895	GPA2	6.0	88.5	67	✓
5	1800	184TC	208-230/460	GP100A	1LE21211CB314EA3	828	GPA2	6.5	89.5	74	✓
5	1200	215TC	208-230/460	GP100A	1LE21212AC214EA3	1379	GPA2	6.7	89.5	116	
7.5	3600	213TC	208-230/460	GP100A	1LE21212AA114EA3	1134	GPA2	8.8	89.5	100	✓
7.5	1800	213TC	208-230/460	GP100A	1LE21212AB114EA3	1103	GPA2	9.7	91.7	130	✓
7.5	1200	254TC	208-230/460	GP100A	1LE21212BC114EA3	1772	GPA2	10.0	91.0	200	
10	3600	215TC	208-230/460	GP100A	1LE21212AA214EA3	1312	GPA2	11.5	90.2	113	✓
10	1800	215TC	208-230/460	GP100A	1LE21212AB214EA3	1312	GPA2	12.5	91.7	136	✓
10	1200	256TC	208-230/460	GP100A	1LE21212BC214EA3	2054	GPA2	13.5	91.0	196	
15	3600	254TC	208-230/460	GP100A	1LE21212BA114EA3	1723	GPA2	17.5	91.0	196	✓
15	1800	254TC	208-230/460	GP100A	1LE21212BB114EA3	1686	GPA2	19.0	92.4	198	✓
20	3600	256TC	208-230/460	GP100A	1LE21212BA214EA3	2089	GPA2	22.5	91.0	231	✓
20	1800	256TC	208-230/460	GP100A	1LE21212BB214EA3	1993	GPA2	25.0	93.0	229	✓

NEMA Premium® is a certification mark of the National Electrical Manufacturers Association. QuikMOD Delivery for stocked motors only.

Stock availability subject to change. Prices and Specifications are subject to change without notice. DOE#CC 032A

# SIMOTICS General purpose motors

GP100A (Aluminum frame)

NEMA Premium®

Die cast aluminum rotor

460V 60Hz – C-face Footless

HP	RPM	Frame	Voltage	Type	Part Number	List price \$	Multi. Symb.	FL amps	FL Nom Eff. (%)	Lbs	Stock
1	3600	143TC	208-230/460	GP100A	1LE21211AA114GA3	519	GPA2	1.4	82.5	29	✓
1	1800	143TC	208-230/460	GP100A	1LE21211AB214GA3	519	GPA2	1.4	85.5	41	✓
1	1200	145TC	208-230/460	GP100A	1LE21211AC314GA3	623	GPA2	1.6	82.5	45	
1.5	3600	143TC	208-230/460	GP100A	1LE21211AA214GA3	530	GPA2	2.0	84.0	35	✓
1.5	1800	145TC	208-230/460	GP100A	1LE21211AB314GA3	561	GPA2	2.1	86.5	47	✓
1.5	1200	182TC	208-230/460	GP100A	1LE21211CC114GA3	702	GPA2	2.4	87.5	63	
2	3600	145TC	208-230/460	GP100A	1LE21211AA314GA3	601	GPA2	2.5	85.5	38	✓
2	1800	145TC	208-230/460	GP100A	1LE21211AB414GA3	603	GPA2	2.8	86.5	46	✓
2	1200	184TC	208-230/460	GP100A	1LE21211CC314GA3	761	GPA2	3.2	88.5	72	
3	3600	182TC	208-230/460	GP100A	1LE21211CA114GA3	702	GPA2	3.8	86.5	57	✓
3	1800	182TC	208-230/460	GP100A	1LE21211CB114GA3	722	GPA2	4.0	89.5	68	✓
3	1200	213TC	208-230/460	GP100A	1LE21212AC114GA3	941	GPA2	4.3	89.5	104	
5	3600	184TC	208-230/460	GP100A	1LE21211CA314GA3	873	GPA2	6.0	88.5	67	✓
5	1800	184TC	208-230/460	GP100A	1LE21211CB314GA3	803	GPA2	6.5	89.5	74	✓
5	1200	215TC	208-230/460	GP100A	1LE21212AC214GA3	1339	GPA2	6.7	89.5	116	
7.5	3600	213TC	208-230/460	GP100A	1LE21212AA114GA3	1101	GPA2	8.8	89.5	100	✓
7.5	1800	213TC	208-230/460	GP100A	1LE21212AB114GA3	1071	GPA2	9.7	91.7	130	✓
7.5	1200	254TC	208-230/460	GP100A	1LE21212BC114GA3	1720	GPA2	10.0	91.0	200	
10	3600	215TC	208-230/460	GP100A	1LE21212AA214GA3	1274	GPA2	11.5	90.2	113	✓
10	1800	215TC	208-230/460	GP100A	1LE21212AB214GA3	1274	GPA2	12.5	91.7	136	✓
10	1200	256TC	208-230/460	GP100A	1LE21212BC214GA3	1994	GPA2	13.5	91.0	196	
15	3600	254TC	208-230/460	GP100A	1LE21212BA114GA3	1673	GPA2	17.5	91.0	196	✓
15	1800	254TC	208-230/460	GP100A	1LE21212BB114GA3	1637	GPA2	19.0	92.4	198	✓
20	3600	256TC	208-230/460	GP100A	1LE21212BA214GA3	2028	GPA2	22.5	91.0	231	✓
20	1800	256TC	208-230/460	GP100A	1LE21212BB214GA3	1935	GPA2	25.0	93.0	229	✓

NEMA Premium® is a certification mark of the National Electrical Manufacturers Association.  
QuikMOD Delivery for stocked motors only.

Stock availability subject to change.  
Prices and Specifications are subject to change without notice.  
DOE#CC 032A



# SIMOTICS General purpose motors

GP100A (Aluminum frame)

NEMA Premium®  
Die cast copper rotor

460V 60Hz – Foot mounted

HP	RPM	Frame	Voltage	Type	Part Number	List Price \$	Mult. Symb.	FL Amps	FL Nom Eff. (%)	Lbs	Stock
1	1800	143T	208-230/460	GP100A	1LE21111AB214AA3	476	GPA2	1.5	86.5	47	✓
1	1200	145T	208-230/460	GP100A	1LE21111AC314AA3	593	GPA2	1.6	84.0	48	✓
1.5	3600	143T	208-230/460	GP100A	1LE21111AA214AA3	488	GPA2	1.9	87.5	45	✓
1.5	1800	145T	208-230/460	GP100A	1LE21111AB314AA3	524	GPA2	2.1	87.5	48	✓
2	3600	145T	208-230/460	GP100A	1LE21111AA314AA3	567	GPA2	2.6	88.5	45	✓
2	1800	145T	208-230/460	GP100A	1LE21111AB414AA3	569	GPA2	2.8	87.5	48	✓
3	3600	182T	208-230/460	GP100A	1LE21111CA114AA3	633	GPA2	3.8	89.5	71	✓
3	1800	182T	208-230/460	GP100A	1LE21111CB114AA3	656	GPA2	4.0	90.2	75	✓
3	1200	213T	208-230/460	GP100A	1LE21112AC114AA3	899	GPA2	4.3	90.2	110	✓
5	3600	184T	208-230/460	GP100A	1LE21111CA314AA3	824	GPA2	6.2	90.2	73	✓
5	1800	184T	208-230/460	GP100A	1LE21111CB314AA3	746	GPA2	6.7	90.2	79	✓
5	1200	215T	208-230/460	GP100A	1LE21112AC214AA3	1340	GPA2	7.0	90.2	123	✓
7.5	3600	213T	208-230/460	GP100A	1LE21112AA114AA3	1076	GPA2	8.5	91.7	130	✓
7.5	1800	213T	208-230/460	GP100A	1LE21112AB114AA3	1043	GPA2	9.5	92.4	137	✓
7.5	1200	254T	208-230/460	GP100A	1LE21112BC114AA3	1796	GPA2	10.5	92.4	244	✓
10	3600	215T	208-230/460	GP100A	1LE21112AA214AA3	1269	GPA2	11.5	91.7	135	✓
10	1800	215T	208-230/460	GP100A	1LE21112AB214AA3	1269	GPA2	12.5	92.4	144	✓
10	1200	256T	208-230/460	GP100A	1LE21112BC214AA3	2115	GPA2	13.5	92.4	245	✓
15	3600	254T	208-230/460	GP100A	1LE21112BA114AA3	1742	GPA2	17.0	92.4	218	✓
15	1800	254T	208-230/460	GP100A	1LE21112BB114AA3	1701	GPA2	19.0	93.0	207	✓
20	3600	256T	208-230/460	GP100A	1LE21112BA214AA3	2156	GPA2	22.5	92.4	241	✓
20	1800	256T	208-230/460	GP100A	1LE21112BB214AA3	2046	GPA2	25.0	93.6	248	✓

NEMA Premium® is a certification mark of the National Electrical Manufacturers Association. QuikMOD Delivery for stocked motors only.

Stock availability subject to change. Prices and Specifications are subject to change without notice. DOE#CC 032A

# SIMOTICS General purpose motors

GP100A (Aluminum frame)

NEMA Premium®

Die cast aluminum rotor

## 575V 60Hz – Foot mounted

HP	RPM	Frame	Voltage	Type	Part Number	List Price \$	Multi. Symb.	FL Amps	FL Nom Eff. (%)	Lbs	Stock
1	3600	143T	575	GP100A	1LE21211AA113AA3	429	GPA2	1.1	82.5	29	
1	1800	143T	575	GP100A	1LE21211AB213AA3	429	GPA2	1.1	85.5	41	
1	1200	145T	575	GP100A	1LE21211AC313AA3	533	GPA2	1.3	82.5	45	
1.5	3600	143T	575	GP100A	1LE21211AA213AA3	440	GPA2	1.6	84.0	35	
1.5	1800	145T	575	GP100A	1LE21211AB313AA3	471	GPA2	1.7	86.5	47	
1.5	1200	182T	575	GP100A	1LE21211CC113AA3	570	GPA2	1.9	87.5	63	
2	3600	145T	575	GP100A	1LE21211AA313AA3	511	GPA2	2.0	85.5	38	
2	1800	145T	575	GP100A	1LE21211AB413AA3	513	GPA2	2.2	86.5	46	
2	1200	184T	575	GP100A	1LE21211CC313AA3	629	GPA2	2.6	88.5	72	
3	3600	182T	575	GP100A	1LE21211CA113AA3	570	GPA2	3.0	86.5	57	
3	1800	182T	575	GP100A	1LE21211CB113AA3	590	GPA2	3.2	89.5	68	
3	1200	213T	575	GP100A	1LE21212AC113AA3	809	GPA2	3.4	89.5	104	
5	3600	184T	575	GP100A	1LE21211CA313AA3	741	GPA2	4.8	88.5	67	
5	1800	184T	575	GP100A	1LE21211CB313AA3	671	GPA2	5.2	89.5	74	
5	1200	215T	575	GP100A	1LE21212AC213AA3	1207	GPA2	5.4	89.5	116	
7.5	3600	213T	575	GP100A	1LE21212AA113AA3	969	GPA2	7.0	89.5	100	
7.5	1800	213T	575	GP100A	1LE21212AB113AA3	939	GPA2	7.8	91.7	130	
7.5	1200	254T	575	GP100A	1LE21212BC113AA3	1540	GPA2	8.0	91.0	200	
10	3600	215T	575	GP100A	1LE21212AA213AA3	1142	GPA2	9.2	90.2	113	
10	1800	215T	575	GP100A	1LE21212AB213AA3	1142	GPA2	10.0	91.7	136	
10	1200	256T	575	GP100A	1LE21212BC213AA3	1814	GPA2	11.0	91.0	196	
15	3600	254T	575	GP100A	1LE21212BA113AA3	1493	GPA2	14.0	91.0	196	
15	1800	254T	575	GP100A	1LE21212BB113AA3	1457	GPA2	15.0	92.4	198	
20	3600	256T	575	GP100A	1LE21212BA213AA3	1848	GPA2	18.0	91.0	231	
20	1800	256T	575	GP100A	1LE21212BB213AA3	1755	GPA2	20.0	93.0	229	

NEMA Premium® is a certification mark of the National Electrical Manufacturers Association.  
QuikMOD Delivery for stocked motors only.

Stock availability subject to change.  
Prices and Specifications are subject to change without notice.  
DOE#CC 032A

# SIMOTICS General purpose motors

## GP100A (Aluminum frame)

## NEMA Premium®

## Die cast aluminum rotor

### 575V 60Hz – C-face Foot mounted

HP	RPM	Frame	Voltage	Type	Part Number	List price \$	Multi. Symb.	FL amps	FL Nom Eff. (%)	Lbs	Stock
1	3600	143TC	575	GP100A	1LE21211AA113EA3	535	GPA2	1.1	82.5	29	
1	1800	143TC	575	GP100A	1LE21211AB213EA3	535	GPA2	1.1	85.5	41	
1	1200	145TC	575	GP100A	1LE21211AC313EA3	642	GPA2	1.3	82.5	45	
1.5	3600	143TC	575	GP100A	1LE21211AA213EA3	546	GPA2	1.6	84.0	35	
1.5	1800	145TC	575	GP100A	1LE21211AB313EA3	578	GPA2	1.7	86.5	47	
1.5	1200	182TC	575	GP100A	1LE21211CC113EA3	723	GPA2	1.9	87.5	63	
2	3600	145TC	575	GP100A	1LE21211AA313EA3	619	GPA2	2.0	85.5	38	
2	1800	145TC	575	GP100A	1LE21211AB413EA3	621	GPA2	2.2	86.5	46	
2	1200	184TC	575	GP100A	1LE21211CC313EA3	784	GPA2	2.6	88.5	72	
3	3600	182TC	575	GP100A	1LE21211CA113EA3	723	GPA2	3.0	86.5	57	
3	1800	182TC	575	GP100A	1LE21211CB113EA3	744	GPA2	3.2	89.5	68	
3	1200	213TC	575	GP100A	1LE21212AC113EA3	969	GPA2	3.4	89.5	104	
5	3600	184TC	575	GP100A	1LE21211CA313EA3	895	GPA2	4.8	88.5	67	
5	1800	184TC	575	GP100A	1LE21211CB313EA3	828	GPA2	5.2	89.5	74	
5	1200	215TC	575	GP100A	1LE21212AC213EA3	1379	GPA2	5.4	89.5	116	
7.5	3600	213TC	575	GP100A	1LE21212AA113EA3	1134	GPA2	7.0	89.5	100	
7.5	1800	213TC	575	GP100A	1LE21212AB113EA3	1103	GPA2	7.8	91.7	130	
7.5	1200	254TC	575	GP100A	1LE21212BC113EA3	1772	GPA2	8.0	91.0	200	
10	3600	215TC	575	GP100A	1LE21212AA213EA3	1312	GPA2	9.2	90.2	113	
10	1800	215TC	575	GP100A	1LE21212AB213EA3	1312	GPA2	10.0	91.7	136	
10	1200	256TC	575	GP100A	1LE21212BC213EA3	2054	GPA2	11.0	91.0	196	
15	3600	254TC	575	GP100A	1LE21212BA113EA3	1723	GPA2	14.0	91.0	196	
15	1800	254TC	575	GP100A	1LE21212BB113EA3	1686	GPA2	15.0	92.4	198	
20	3600	256TC	575	GP100A	1LE21212BA213EA3	2089	GPA2	18.0	91.0	231	
20	1800	256TC	575	GP100A	1LE21212BB213EA3	1993	GPA2	20.0	93.0	229	

General Purpose Motors

Severe Duty Motors

Hazardous Duty Motors

Definite Purpose Motors

Special Features Detail

Options Selection and Pricing

Typical Performance Data

General Dimensions

Part Number Index

NEMA Premium® is a certification mark of the National Electrical Manufacturers Association.  
QuikMOD Delivery for stocked motors only.

Stock availability subject to change.  
Prices and Specifications are subject to change without notice.  
DOE#CC 032A

# SIMOTICS General purpose motors

GP100A (Aluminum frame)

NEMA Premium®  
Die cast aluminum rotor

575V 60Hz – C-face Footless

HP	RPM	Frame	Voltage	Type	Part Number	List price \$	Multi. Symb.	FL amps	FL Nom Eff. (%)	Lbs	Stock
1	3600	143TC	575	GP100A	1LE21211AA113GA3	519	GPA2	1.4	82.5	29	
1	1800	143TC	575	GP100A	1LE21211AB213GA3	519	GPA2	1.4	85.5	41	
1	1200	145TC	575	GP100A	1LE21211AC313GA3	623	GPA2	1.6	82.5	45	
1.5	3600	143TC	575	GP100A	1LE21211AA213GA3	530	GPA2	2.0	84.0	35	
1.5	1800	145TC	575	GP100A	1LE21211AB313GA3	561	GPA2	2.1	86.5	47	
1.5	1200	182TC	575	GP100A	1LE21211CC113GA3	702	GPA2	2.4	87.5	63	
2	3600	145TC	575	GP100A	1LE21211AA313GA3	601	GPA2	2.5	85.5	38	
2	1800	145TC	575	GP100A	1LE21211AB413GA3	603	GPA2	2.8	86.5	46	
2	1200	184TC	575	GP100A	1LE21211CC313GA3	761	GPA2	3.2	88.5	72	
3	3600	182TC	575	GP100A	1LE21211CA113GA3	702	GPA2	3.8	86.5	57	
3	1800	182TC	575	GP100A	1LE21211CB113GA3	722	GPA2	4.0	89.5	68	
3	1200	213TC	575	GP100A	1LE21212AC113GA3	941	GPA2	4.3	89.5	104	
5	3600	184TC	575	GP100A	1LE21211CA313GA3	873	GPA2	6.0	88.5	67	
5	1800	184TC	575	GP100A	1LE21211CB313GA3	803	GPA2	6.5	89.5	74	
5	1200	215TC	575	GP100A	1LE21212AC213GA3	1339	GPA2	6.7	89.5	116	
7.5	3600	213TC	575	GP100A	1LE21212AA113GA3	1101	GPA2	8.8	89.5	100	
7.5	1800	213TC	575	GP100A	1LE21212AB113GA3	1071	GPA2	9.7	91.7	130	
7.5	1200	254TC	575	GP100A	1LE21212BC113GA3	1720	GPA2	10.0	91.0	200	
10	3600	215TC	575	GP100A	1LE21212AA213GA3	1274	GPA2	11.5	90.2	113	
10	1800	215TC	575	GP100A	1LE21212AB213GA3	1274	GPA2	12.5	91.7	136	
10	1200	256TC	575	GP100A	1LE21212BC213GA3	1994	GPA2	13.5	91.0	196	
15	3600	254TC	575	GP100A	1LE21212BA113GA3	1673	GPA2	17.5	91.0	196	
15	1800	254TC	575	GP100A	1LE21212BB113GA3	1637	GPA2	19.0	92.4	198	
20	3600	256TC	575	GP100A	1LE21212BA213GA3	2028	GPA2	22.5	91.0	231	
20	1800	256TC	575	GP100A	1LE21212BB213GA3	1953	GPA2	25.0	93.0	229	

NEMA Premium® is a certification mark of the National Electrical Manufacturers Association.  
QuikMOD Delivery for stocked motors only.

Stock availability subject to change.  
Prices and Specifications are subject to change without notice.  
DOE#CC 032A

# Matched drive motor combination package

## Integrated drive systems – SINAMICS V20 and SIMOTICS GP100A

### RS485 / USS / MODBUS – Standard foot-mounted

SIMOTICS GP100 A – 460V				SINAMICS V20		Drive and Motor Package	
HP	RPM	Frame	FLA	Frame Size	Amps	Part Number	List price \$
1	3600	143T	1.4	A	2.2	A6X30087689	970
1	1800	143T	1.4	A	2.2	A6X30087690	970
1.5	3600	143T	2.0	A	3.1	A6X30087731	1,013
1.5	1800	145T	2.1	A	3.1	A6X30087733	1,040
2	3600	145T	2.5	A	4.1	A6X30087734	1,118
2	1800	145T	2.8	A	4.1	A6X30087735	1,120
3	3600	182T	3.8	A	4.8	A6X30087739	1,246
3	1800	182T	4.0	A	4.8	A6X30087741	1,264
5	3600	184T	6.0	B	8.24	A6X30087771	1,551
5	1800	184T	6.5	B	8.24	A6X30087772	1,491
7.5	3600	213T	8.8	C	11	A6X30087773	1,918
7.5	1800	213T	9.7	C	11	A6X30087774	1,890
10	3600	215T	11.5	D	16.5	A6X30087775	2,309
10	1800	215T	12.5	D	16.5	A6X30087776	2,309
15	3600	254T	17.5	D	21	A6X30087777	2,924
15	1800	254T	19.0	D	21	A6X30087778	2,897
20	3600	256T	22.5	D	31	A6X30087779	3,539
20	1800	256T	25.0	D	31	A6X30087780	3,459

### RS485 / USS / MODBUS – C-Flagged

SIMOTICS GP100 A – 460V				SINAMICS V20		Drive and motor package	
HP	RPM	Frame	FLA	Frame size	Amps	Part number	List price \$
1	3600	143TC	1.4	A	2.2	A6X30087781	1,064
1	1800	143TC	1.4	A	2.2	A6X30087782	1,064
1.5	3600	143TC	2	A	3.1	A6X30087783	1,105
1.5	1800	145TC	2.1	A	3.1	A6X30087784	1,133
2	3600	145TC	2.5	A	4.1	A6X30087785	1,213
2	1800	145TC	2.8	A	4.1	A6X30087786	1,214
3	3600	182TC	3.8	A	4.8	A6X30087787	1,379
3	1800	182TC	4	A	4.8	A6X30087788	1,397
5	3600	184TC	6	B	8.24	A6X30087789	1,693
5	1800	184TC	6.5	B	8.24	A6X30087790	1,630
7.5	3600	213TC	8.8	C	11	A6X30087801	2,064
7.5	1800	213TC	9.7	C	11	A6X30087802	2,036
10	3600	215TC	11.5	D	16.5	A6X30087803	2,456
10	1800	215TC	12.5	D	16.5	A6X30087804	2,456
15	3600	254TC	17.5	D	21	A6X30087805	3,123
15	1800	254TC	19	D	21	A6X30087806	3,090
20	3600	256TC	22.5	D	31	A6X30087807	3,748
20	1800	256TC	25	D	31	A6X30087808	3,666

### Accessories

Part name	Part number	List price \$
SINAMICS Operator Panel Door Mounting Kit (with 3M Connection Cable)	6SL3256-0VP00-0VA0	19
SINAMICS V20 BOP Interface	6SL3255-0VA00-2AA0	31
SINAMICS V20 Remote BOP	6SL3255-0VA00-4BA0	44

# SIMOTICS General purpose motors

## GP100A (Aluminum frame)

## Spare Parts

### C-Face Bearing Housing

Frame	Motor Type	Part Number	Description		List Price \$
140T	GP100A	3MSP220072801	Cast iron	C-Face	142
180T	GP100A	3MSP221072801	Cast iron	C-Face	207
210T	GP100A	3MSP222072801	Cast iron	C-Face	284
250T	GP100A	3MSP223072801	Cast iron	C-Face	452

### D-Flange Bearing Housing

Frame	Motor Type	Part Number	Description		List Price \$
140T	GP100A	3MSP220072901	Cast iron	D-Flange	310
180T	GP100A	3MSP221072901	Cast iron	D-Flange	439
210T	GP100A	3MSP222072901	Cast iron	D-Flange	593
250T	GP100A	3MSP223072901	Cast iron	D-Flange	903

### Bearings

Frame	Motor Type	Part Number	Description		List Price \$
140T	GP100A	51601983005	DE/ODE	Bearing, 6205 ZZ C3 25BC02JPP3	41
180T	GP100A	51601983006	DE/ODE	Bearing, 6206 ZZ C3 30BC02JPP3	51
210T	GP100A	51601983008	DE/ODE	Bearing, 6208 ZZ C3 40BC02JPP3	91
250T	GP100A	51601983009	DE/ODE	Bearing, 6209 ZZ C3 45BC02JPP3	177

### Fan Housing

Frame	Motor Type	Part Number	Description		List Price \$
140T	GP100A	50748014200000	Polypropylene	Fan Housing	85
140T	GP100A	50748014200001	Polypropylene	Fan Housing	85
180T	GP100A	50748018200000	Polypropylene	Fan Housing	107
210T	GP100A	50748021200000B	Polypropylene	Fan Housing	126
250T	GP100A	50748025200000	Polypropylene	Fan Housing	164

140T	GP100A	3MSP220081101	Polypropylene	Fan Housing for Drip Cover	94
140T	GP100A	3MSP220081102	Polypropylene	Fan Housing for Drip Cover	94
180T	GP100A	3MSP221081101	Polypropylene	Fan Housing for Drip Cover	113
210T	GP100A	3MSP222081101	Polypropylene	Fan Housing for Drip Cover	132
250T	GP100A	3MSP223081101	Polypropylene	Fan Housing for Drip Cover	172

# SIMOTICS General purpose motors

## GP100A (Aluminum frame)

## Spare Parts

### Cooling Fan

Frame	Motor Type	Part Number	Description		List Price \$
140T	GP100A	3MSG221079614	900RPM	Cooling fan	148
180T	GP100A	3MSG221079612	900RPM	Cooling fan	228
210T	GP100A	3MSG223079613	900RPM	Cooling fan	268
250T	GP100A	3MSG223079611	900RPM	Cooling fan	348

Frame	Motor Type	Part Number	Description		List Price \$
140T	GP100A	3MSG221079614	1200RPM	Cooling fan	148
180T	GP100A	3MSG221079612	1200RPM	Cooling fan	228
210T	GP100A	3MSG223079613	1200RPM	Cooling fan	268
250T	GP100A	3MSG223079613	1200RPM	Cooling fan	268

Frame	Motor Type	Part Number	Description		List Price \$
140T	GP100A	3MSG221079614	1800RPM	Cooling fan	148
180T	GP100A	3MSG221079612	1800RPM	Cooling fan	228
210T	GP100A	3MSG223079617	1800RPM	Cooling fan	268
250T	GP100A	3MSG223079617	1800RPM	Cooling fan	268

Frame	Motor Type	Part Number	Description		List Price \$
140T	GP100A	3MSG221079616	3600RPM	Cooling fan	148
180T	GP100A	3MSG221079614	3600RPM	Cooling fan	148
210T	GP100A	3MSG223079620	3600RPM	Cooling fan	268
250T	GP100A	3MSG223079620	3600RPM	Cooling fan	268

### Drip Cover

Frame	Motor Type	Part Number	Description		List Price \$
140T	GP100A	3MSP223080701	Cast iron	Drip cover	174
180T	GP100A	3MSP223080702	Cast iron	Drip cover	207
210T	GP100A	3MSP223080703	Cast iron	Drip cover	223
250T	GP100A	3MSP223080704	Cast iron	Drip cover	249

### Main Terminal Box

Frame	Motor Type	Part Number	Description		List Price \$
140T	GP100A	3MSG221082401	Cast Aluminum	Conduit Box	118
180T	GP100A	3MSG221082401	Cast Aluminum	Conduit Box	118
210T	GP100A	3MSG223082402	Cast Aluminum	Conduit Box	148
250T	GP100A	3MSG223082401	Cast Aluminum	Conduit Box	174





# SIMOTICS General purpose motors

## GP100 (Cast iron frame)

**GP100** general purpose TEFC motors meet or exceed NEMA Premium® efficiency. With our exclusive, leading-edge, die cast copper frames (143T-256T), or our die cast aluminum (frames 143T-449T) rotor designs, these motors significantly reduce operating costs and pay for themselves in a short time through energy savings. These industry workhorses are ideal for use in pump, fan, compressor and may other industrial applications where toughness and reliability are required.



**NEMA Premium**



**18**  
MONTH  
WARRANTY



HP range	Frame Size	<b>1-200 HP</b> 143T-449T
Efficiency	NEMA Premium® Plus NEMA Premium®	143T-256T 143T-449T
Voltage 1)	208-230 / 460 V 230 / 460 V 460 V 575V	<b>3 phase 60Hz</b> 1-20HP or up to 256T frame 15-75HP or up to 365T frame 100-200 HP 1-200HP
Insulation	Insulation Class F Service Factor @ 40°C Temperature rise (Sine wave)	<b>NEMA design B</b> NEMA MG1 Part 31 1.15 Class B @ 1.0SF Class F @ 1.15SF
Frame	8 hole feet Condensation drains High strength carbon steel Shaft V ring slinger - IP54	<b>Cast Iron</b> Casted Drain holes Two on lowest point in frame C1045 DE only
Stator/Windings rotor	Stator Rotor, die cast copper Rotor die cast aluminum	Random wound copper 143T-256T 143T-449T
Conduit box	Die cast aluminum Steel Cast iron 2) O-ring	<b>Oversized</b> 143T-256T 280T-400T 440T 143T-256T
Bearings	Double shielded Single shielded Bearing housing Grease Inlet / relief fittings	143T-256T 284T-449T Cast iron Polyurea base Alemite / plug -FS440 (only)
Fan	Cover  Bidirectional fan	Plastic 143T-256T Sheet metal 284T-326T Cast Iron 404T-449T 143T-449T Polypropylene
Hardware	Nameplate Lifting eyebolt Paint	<b>Rust resistant</b> Zinc plated Aluminum engraved Included above 75 Lbs. Alkyd Modified - RAL7030
Inverter duty	Variable torque 20:1 Constant torque 10:1 Constant torque 4:1	143T-256T Copper Rotor 143T-256T Aluminum rotor 143T-449T

NEMA Premium® is a certification mark of the National Electrical Manufacturers Association.

1) Standard voltage for stock items, see option selection and pricing section for additional voltages.

2) Available as an option for frames 284T-405T.

# SIMOTICS General purpose motors

GP100 (Cast iron frame)

NEMA Premium®

Die cast aluminum rotor

460V 60Hz – Foot mounted

HP	RPM	Frame	Voltage	Type	Part Number	List Price \$	Mult. Symb.	FL Amps	FL Nom Eff. (%)	Lbs	Stock
1	3600	143T	208-230/460	GP100	1LE22211AA114AA3	454	GP2	1.4	82.5	60	✓
1	1800	143T	208-230/460	GP100	1LE22211AB214AA3	454	GP2	1.4	85.5	62	✓
1	1200	145T	208-230/460	GP100	1LE22211AC314AA3	563	GP2	1.6	82.5	64	✓
1	900	182T	208-230/460	GP100	1LE22211CD114AA3	682	GP2	2.1	74.0	86	✓
1.5	3600	143T	208-230/460	GP100	1LE22211AA214AA3	466	GP2	2.0	84.0	56	✓
1.5	1800	145T	208-230/460	GP100	1LE22211AB314AA3	500	GP2	2.1	86.5	66	✓
1.5	1200	182T	208-230/460	GP100	1LE22211CC114AA3	602	GP2	2.4	87.5	93	✓
1.5	900	184T	208-230/460	GP100	1LE22211CD314AA3	741	GP2	3.0	77.0	99	✓
2	3600	145T	208-230/460	GP100	1LE22211AA314AA3	540	GP2	2.5	85.5	59	✓
2	1800	145T	208-230/460	GP100	1LE22211AB414AA3	542	GP2	2.8	86.5	66	✓
2	1200	184T	208-230/460	GP100	1LE22211CC314AA3	666	GP2	3.2	88.5	102	✓
2	900	213T	208-230/460	GP100	1LE22212AD114AA3	852	GP2	3.3	82.5	123	✓
3	3600	182T	208-230/460	GP100	1LE22211CA114AA3	602	GP2	3.8	86.5	87	✓
3	1800	182T	208-230/460	GP100	1LE22211CB114AA3	623	GP2	4.0	89.5	98	✓
3	1200	213T	208-230/460	GP100	1LE22212AC114AA3	857	GP2	4.3	89.5	144	✓
3	900	215T	208-230/460	GP100	1LE22212AD214AA3	1222	GP2	4.8	84.0	138	✓
5	3600	184T	208-230/460	GP100	1LE22211CA314AA3	784	GP2	6.0	88.5	98	✓
5	1800	184T	208-230/460	GP100	1LE22211CB314AA3	709	GP2	6.5	89.5	104	✓
5	1200	215T	208-230/460	GP100	1LE22212AC214AA3	1277	GP2	6.7	89.5	156	✓
5	900	254T	208-230/460	GP100	1LE22212BD114AA3	1774	GP2	8.8	85.5	218	✓
7.5	3600	213T	208-230/460	GP100	1LE22212AA114AA3	1025	GP2	8.8	89.5	148	✓
7.5	1800	213T	208-230/460	GP100	1LE22212AB114AA3	994	GP2	9.7	91.7	171	✓
7.5	1200	254T	208-230/460	GP100	1LE22212BC114AA3	1630	GP2	10.0	91.0	262	✓
7.5	900	256T	208-230/460	GP100	1LE22212BD214AA3	1787	GP2	13.0	85.5	250	✓
10	3600	215T	208-230/460	GP100	1LE22212AA214AA3	1209	GP2	11.5	90.2	163	✓
10	1800	215T	208-230/460	GP100	1LE22212AB214AA3	1209	GP2	12.5	91.7	177	✓
10	1200	256T	208-230/460	GP100	1LE22212BC214AA3	1918	GP2	13.5	91.0	259	✓
10	900	284T	230/460	GP100	1LE22212CD116AA3	2569	GP2	17.0	90.2	414	
15	3600	254T	208-230/460	GP100	1LE22212BA114AA3	1581	GP2	17.5	91.0	258	✓
15	1800	254T	208-230/460	GP100	1LE22212BB114AA3	1542	GP2	19.0	92.4	259	✓
15	1200	284T	230/460	GP100	1LE22212CC116AA3	2510	GP2	21.0	91.7	409	✓
15	900	286T	230/460	GP100	1LE22212CD216AA3	3051	GP2	23.0	91.0	459	
20	3600	256T	208-230/460	GP100	1LE22212BA214AA3	1955	GP2	22.5	91.0	293	✓
20	1800	256T	208-230/460	GP100	1LE22212BB214AA3	1857	GP2	25.0	93.0	292	✓
20	1200	286T	230/460	GP100	1LE22212CC216AA3	2956	GP2	27.0	91.7	434	✓
20	900	324T	230/460	GP100	1LE22213AD116AA3	3664	GP2	32.0	91.0	616	
25	3600	284TS	230/460	GP100	1LE22212DA116AA3	2268	GP2	29.0	91.7	454	✓
25	1800	284T	230/460	GP100	1LE22212CB116AA3	2164	GP2	30.0	93.6	429	✓
25	1200	324T	230/460	GP100	1LE22213AC116AA3	3565	GP2	33.0	93.0	633	✓
25	900	326T	230/460	GP100	1LE22213AD216AA3	4242	GP2	40.0	91.0	663	
30	3600	286TS	230/460	GP100	1LE22212DA216AA3	2751	GP2	34.0	91.7	424	✓
30	1800	286T	230/460	GP100	1LE22212CB216AA3	2616	GP2	35.0	93.6	449	✓
30	1200	326T	230/460	GP100	1LE22213AC216AA3	4387	GP2	39.0	93.0	658	✓
30	900	364T	230/460	GP100	1LE22213CD116AA3	5449	GP2	47.0	91.7	854	

NEMA Premium® is a certification mark of the National Electrical Manufacturers Association.  
QuikMOD Delivery for stocked motors only.

Stock availability subject to change.  
Prices and Specifications are subject to change without notice.  
DOE#CC 032A

# SIMOTICS General purpose motors

GP100 (Cast iron frame)

NEMA Premium®  
Die cast aluminum rotor

460V 60Hz – Foot mounted

HP	RPM	Frame	Voltage	Type	Part Number	List Price \$	Mult. Symb.	FL Amps	FL Nom Eff. (%)	Lbs	Stock
40	3600	324TS	230/460	GP100	1LE22213BA116AA3	<b>3679</b>	GP2	45.0	93.6	608	✓
40	1800	324T	230/460	GP100	1LE22213AB116AA3	<b>3522</b>	GP2	46.0	94.1	633	✓
40	1200	364T	230/460	GP100	1LE22213CC116AA3	<b>6032</b>	GP2	49.0	94.1	828	✓
40	900	365T	230/460	GP100	1LE22213CD216AA3	<b>6436</b>	GP2	63.0	91.7	950	
50	3600	326TS	230/460	GP100	1LE22213BA216AA3	<b>4871</b>	GP2	55.0	93.6	593	
50	1800	326T	230/460	GP100	1LE22213AB216AA3	<b>4428</b>	GP2	58.0	94.5	668	
50	1200	365T	230/460	GP100	1LE22213CC216AA3	<b>7088</b>	GP2	62.0	94.1	863	
60	3600	364TS	230/460	GP100	1LE22213DA116AA3	<b>5675</b>	GP2	68.0	93.6	780	
60	1800	364T	230/460	GP100	1LE22213CB116AA3	<b>5625</b>	GP2	68.0	95.0	880	
60	1200	404T	230/460	GP100	1LE22214AC116AA3	<b>7354</b>	GP2	74.0	94.5	1047	
75	3600	365TS	230/460	GP100	1LE22213DA216AA3	<b>7091</b>	GP2	86.0	94.1	888	
75	1800	365T	230/460	GP100	1LE22213CB216AA3	<b>7096</b>	GP2	85.0	95.4	950	
75	1200	405T	230/460	GP100	1LE22214AC216AA3	<b>8615</b>	GP2	93.0	94.5	1117	
100	3600	405TS	460	GP100	1LE22214BA212AA3	<b>10347</b>	GP2	108.0	94.1	1012	
100	1800	405T	460	GP100	1LE22214AB212AA3	<b>9547</b>	GP2	113.0	95.4	1107	
100	1800	405TS	460	GP100	1LE22214BB212AA3	<b>9547</b>	GP2	113.0	95.4	1107	
100	1200	444T	460	GP100	1LE22214CC112AA3	<b>13429</b>	GP2	117.0	95.0	1531	
100	1200	444TS	460	GP100	1LE22214DC112AA3	<b>12821</b>	GP2	117.0	95.0	1467	
125	3600	444TS	460	GP100	1LE22214DA112AA3	<b>12831</b>	GP2	138.0	95.0	1381	
125	1800	444T	460	GP100	1LE22214CB112AA3	<b>12532</b>	GP2	143.0	95.4	1590	
125	1800	444T	460	GP100	1LE22214EB112AA3	<b>11924</b>	GP2	143.0	95.4	1552	
125	1800	444TS	460	GP100	1LE22214DB112AA3	<b>11924</b>	GP2	143.0	95.4	1552	
125	1200	445T	460	GP100	1LE22214CC212AA3	<b>15550</b>	GP2	144.0	95.0	1702	
125	1200	445T	460	GP100	1LE22214EC212AA3	<b>14942</b>	GP2	144.0	95.0	1664	
125	1200	445TS	460	GP100	1LE22214DC212AA3	<b>14942</b>	GP2	115.0	95.0	1647	
150	3600	445TS	460	GP100	1LE22214DA212AA3	<b>15967</b>	GP2	131.0	95.0	1542	
150	1800	445T	460	GP100	1LE22214CB212AA3	<b>14967</b>	GP2	170.0	95.8	1865	
150	1800	445T	460	GP100	1LE22214EB212AA3	<b>14359</b>	GP2	170.0	95.8	1827	
150	1800	445TS	460	GP100	1LE22214DB212AA3	<b>14359</b>	GP2	136.0	95.8	1637	
150	1200	447T	460	GP100	1LE22214CC312AA3	<b>17925</b>	GP2	172.0	95.8	1960	
150	1200	447T	460	GP100	1LE22214EC312AA3	<b>17317</b>	GP2	172.0	95.8	1922	
150	1200	447TS	460	GP100	1LE22214DC312AA3	<b>17317</b>	GP2	138.0	95.8	1897	
200	3600	447TS	460	GP100	1LE22214DA312AA3	<b>22239</b>	GP2	173.0	95.4	2182	
200	1800	447T	460	GP100	1LE22214CB312AA3	<b>19838</b>	GP2	228.0	96.2	2245	
200	1800	447T	460	GP100	1LE22214EB312AA3	<b>19230</b>	GP2	228.0	96.2	2207	
200	1800	447TS	460	GP100	1LE22214DB312AA3	<b>19230</b>	GP2	182.0	96.2	2182	
200	1200	449T	460	GP100	1LE22214CC512AA3	<b>23948</b>	GP2	227.0	95.8	2301	
200	1200	449T	460	GP100	1LE22214EC512AA3	<b>23340</b>	GP2	227.0	95.8	2263	
200	1200	449TS	460	GP100	1LE22214DC512AA3	<b>23340</b>	GP2	182.0	95.8	2240	

NEMA Premium® is a certification mark of the National Electrical Manufacturers Association.  
QuikMOD Delivery for stocked motors only.  
Shaded ratings indicated roller bearings.

Stock availability subject to change.  
900 RPM Motors meet or exceed EPA efficiency.  
Prices and Specifications are subject to change without notice.  
DOE#CC 032A

# SIMOTICS General purpose motors

GP100 (Cast iron frame)

NEMA Premium®  
Die cast aluminum rotor

460V 60Hz – C-face foot mounted

HP	RPM	Frame	Voltage	Type	Part Number	List Price \$	Mult. Symb.	FL Amps	FL Nom. Eff.(%)	Lbs	Stock
1	3600	143TC	208-230/460	GP100	1LE22211AA114EA3	560	GP2	1.4	82.5	60	✓
1	1800	143TC	208-230/460	GP100	1LE22211AB214EA3	560	GP2	1.4	85.5	62	✓
1	1200	145TC	208-230/460	GP100	1LE22211AC314EA3	673	GP2	1.6	82.5	64	✓
1	900	182TC	208-230/460	GP100	1LE22211CD114EA3	838	GP2	2.1	74.0	86	✓
1.5	3600	143TC	208-230/460	GP100	1LE22211AA214EA3	573	GP2	2.0	84.0	56	✓
1.5	1800	145TC	208-230/460	GP100	1LE22211AB314EA3	608	GP2	2.1	86.5	66	✓
1.5	1200	182TC	208-230/460	GP100	1LE22211CC114EA3	756	GP2	2.4	87.5	93	✓
1.5	900	184TC	208-230/460	GP100	1LE22211CD314EA3	899	GP2	3.0	77.0	99	✓
2	3600	145TC	208-230/460	GP100	1LE22211AA314EA3	649	GP2	2.5	85.5	59	✓
2	1800	145TC	208-230/460	GP100	1LE22211AB414EA3	651	GP2	2.8	86.5	66	✓
2	1200	184TC	208-230/460	GP100	1LE22211CC314EA3	822	GP2	3.2	88.5	102	✓
2	900	213TC	208-230/460	GP100	1LE22212AD114EA3	1014	GP2	3.3	82.5	123	✓
3	3600	182TC	208-230/460	GP100	1LE22211CA114EA3	756	GP2	3.8	86.5	87	✓
3	1800	182TC	208-230/460	GP100	1LE22211CB114EA3	778	GP2	4.0	89.5	98	✓
3	1200	213TC	208-230/460	GP100	1LE22212AC114EA3	1019	GP2	4.3	89.5	144	✓
3	900	215TC	208-230/460	GP100	1LE22212AD214EA3	1395	GP2	4.8	84.0	138	✓
5	3600	184TC	208-230/460	GP100	1LE22211CA314EA3	943	GP2	6.0	88.5	98	✓
5	1800	184TC	208-230/460	GP100	1LE22211CB314EA3	866	GP2	6.5	89.5	104	✓
5	1200	215TC	208-230/460	GP100	1LE22212AC214EA3	1451	GP2	6.7	89.5	156	✓
5	900	254TC	208-230/460	GP100	1LE22212BD114EA3	2013	GP2	8.8	85.5	218	✓
7.5	3600	213TC	208-230/460	GP100	1LE22212AA114EA3	1192	GP2	8.8	89.5	148	✓
7.5	1800	213TC	208-230/460	GP100	1LE22212AB114EA3	1160	GP2	9.7	91.7	171	✓
7.5	1200	254TC	208-230/460	GP100	1LE22212BC114EA3	1864	GP2	10.0	91.0	262	✓
7.5	900	256TC	208-230/460	GP100	1LE22212BD214EA3	2026	GP2	13.0	85.5	250	✓
10	3600	215TC	208-230/460	GP100	1LE22212AA214EA3	1381	GP2	11.5	90.2	163	✓
10	1800	215TC	208-230/460	GP100	1LE22212AB214EA3	1381	GP2	12.5	91.7	177	✓
10	1200	256TC	208-230/460	GP100	1LE22212BC214EA3	2161	GP2	13.5	91.0	259	✓
15	3600	254TC	208-230/460	GP100	1LE22212BA114EA3	1814	GP2	17.5	91.0	258	✓
15	1800	254TC	208-230/460	GP100	1LE22212BB114EA3	1774	GP2	19.0	92.4	259	✓
20	3600	256TC	208-230/460	GP100	1LE22212BA214EA3	2199	GP2	22.5	91.0	293	✓
20	1800	256TC	208-230/460	GP100	1LE22212BB214EA3	2098	GP2	25.0	93.0	292	✓

NEMA Premium® is a certification mark of the National Electrical Manufacturers Association.  
QuikMOD Delivery for stocked motors only.

Stock availability subject to change.  
Prices and Specifications are subject to change without notice.  
DOE#CC 032A

# SIMOTICS General purpose motors

GP100 (Cast iron frame)

NEMA Premium®

Die cast aluminum rotor

## 460V 60Hz – C-face footless

HP	RPM	Frame	Voltage	Type	Part Number	List Price \$	Mult. Symb.	FL Amps	FL Nom Eff. (%)	Lbs	Stock
1	3600	143TC	208-230/460	GP100	1LE22211AA114GA3	544	GP2	1.4	82.5	60	✓
1	1800	143TC	208-230/460	GP100	1LE22211AB214GA3	544	GP2	1.4	85.5	62	✓
1	1200	145TC	208-230/460	GP100	1LE22211AC314GA3	653	GP2	1.6	82.5	64	✓
1	900	182TC	208-230/460	GP100	1LE22211CD114GA3	814	GP2	2.1	74.0	86	✓
1.5	3600	143TC	208-230/460	GP100	1LE22211AA214GA3	556	GP2	2.0	84.0	56	✓
1.5	1800	145TC	208-230/460	GP100	1LE22211AB314GA3	590	GP2	2.1	86.5	66	✓
1.5	1200	182TC	208-230/460	GP100	1LE22211CC114GA3	734	GP2	2.4	87.5	93	✓
1.5	900	184TC	208-230/460	GP100	1LE22211CD314GA3	873	GP2	3.0	77.0	99	✓
2	3600	145TC	208-230/460	GP100	1LE22211AA314GA3	630	GP2	2.5	85.5	59	✓
2	1800	145TC	208-230/460	GP100	1LE22211AB414GA3	632	GP2	2.8	86.5	66	✓
2	1200	184TC	208-230/460	GP100	1LE22211CC314GA3	798	GP2	3.2	88.5	102	✓
2	900	213TC	208-230/460	GP100	1LE22212AD114GA3	984	GP2	3.3	82.5	123	✓
3	3600	182TC	208-230/460	GP100	1LE22211CA114GA3	734	GP2	3.8	86.5	87	✓
3	1800	182TC	208-230/460	GP100	1LE22211CB114GA3	755	GP2	4.0	89.5	98	✓
3	1200	213TC	208-230/460	GP100	1LE22212AC114GA3	989	GP2	4.3	89.5	144	✓
3	900	215TC	208-230/460	GP100	1LE22212AD214GA3	1354	GP2	4.8	84.0	138	✓
5	3600	184TC	208-230/460	GP100	1LE22211CA314GA3	916	GP2	6.0	88.5	98	✓
5	1800	184TC	208-230/460	GP100	1LE22211CB314GA3	841	GP2	6.5	89.5	104	✓
5	1200	215TC	208-230/460	GP100	1LE22212AC214GA3	1409	GP2	6.7	89.5	156	✓
5	900	254TC	208-230/460	GP100	1LE22212BD114GA3	1954	GP2	8.8	85.5	218	✓
7.5	3600	213TC	208-230/460	GP100	1LE22212AA114GA3	1157	GP2	8.8	89.5	148	✓
7.5	1800	213TC	208-230/460	GP100	1LE22212AB114GA3	1126	GP2	9.7	91.7	171	✓
7.5	1200	254TC	208-230/460	GP100	1LE22212BC114GA3	1810	GP2	10.0	91.0	262	✓
7.5	900	256TC	208-230/460	GP100	1LE22212BD214GA3	1967	GP2	13.0	85.5	250	✓
10	3600	215TC	208-230/460	GP100	1LE22212AA214GA3	1341	GP2	11.5	90.2	163	✓
10	1800	215TC	208-230/460	GP100	1LE22212AB214GA3	1341	GP2	12.5	91.7	177	✓
10	1200	256TC	208-230/460	GP100	1LE22212BC214GA3	2098	GP2	13.5	91.0	259	✓
15	3600	254TC	208-230/460	GP100	1LE22212BA114GA3	1761	GP2	17.5	91.0	258	✓
15	1800	254TC	208-230/460	GP100	1LE22212BB114GA3	1722	GP2	19.0	92.4	259	✓
20	3600	256TC	208-230/460	GP100	1LE22212BA214GA3	2135	GP2	22.5	91.0	293	✓
20	1800	256TC	208-230/460	GP100	1LE22212BB214GA3	2037	GP2	25.0	93.0	292	✓

NEMA Premium® is a certification mark of the National Electrical Manufacturers Association.  
QuikMOD Delivery for stocked motors only.

Stock availability subject to change.  
Prices and Specifications are subject to change without notice.  
DOE#CC 032A

# SIMOTICS General purpose motors

GP100 (Cast iron frame)

NEMA Premium®  
Die cast copper rotor

460V 60Hz – Foot mounted

HP	RPM	Frame	Voltage	Type	Part Number	List Price \$	Mult. Symb.	FL Amps	FL Nom Eff. (%)	Lbs	Stock
1	1800	143T	208-230/460	GP100	1LE22111AB214AA3	505	GP2	1.5	86.5	67	✓
1	1200	145T	208-230/460	GP100	1LE22111AC314AA3	628	GP2	1.6	84.0	67	✓
1.5	3600	143T	208-230/460	GP100	1LE22111AA214AA3	519	GP2	1.9	87.5	65	✓
1.5	1800	145T	208-230/460	GP100	1LE22111AB314AA3	556	GP2	2.1	87.5	67	✓
2.0	3600	145T	208-230/460	GP100	1LE22111AA314AA3	602	GP2	2.6	88.5	66	✓
2	1800	145T	208-230/460	GP100	1LE22111AB414AA3	604	GP2	2.8	87.5	68	✓
3	3600	182T	208-230/460	GP100	1LE22111CA114AA3	672	GP2	3.8	89.5	101	✓
3	1800	182T	208-230/460	GP100	1LE22111CB114AA3	695	GP2	4.0	90.2	105	✓
3	1200	213T	208-230/460	GP100	1LE22112AC114AA3	955	GP2	4.3	90.2	150	✓
5	3600	184T	208-230/460	GP100	1LE22111CA314AA3	874	GP2	6.2	90.2	103	✓
5	1800	184T	208-230/460	GP100	1LE22111CB314AA3	791	GP2	6.7	90.2	109	✓
5	1200	215T	208-230/460	GP100	1LE22112AC214AA3	1423	GP2	7.0	90.2	163	✓
7.5	3600	213T	208-230/460	GP100	1LE22112AA114AA3	1143	GP2	8.5	91.7	178	✓
7.5	1800	213T	208-230/460	GP100	1LE22112AB114AA3	1107	GP2	9.5	92.4	178	✓
7.5	1200	254T	208-230/460	GP100	1LE22112BC114AA3	1908	GP2	10.5	92.4	307	✓
10	3600	215T	208-230/460	GP100	1LE22112AA214AA3	1347	GP2	11.5	91.7	185	✓
10.0	1800	215T	208-230/460	GP100	1LE22112AB214AA3	1348	GP2	12.5	92.4	185	✓
10	1200	256T	208-230/460	GP100	1LE22112BC214AA3	2244	GP2	13.5	92.4	307	✓
15	3600	254T	208-230/460	GP100	1LE22112BA114AA3	1849	GP2	17.0	92.4	279	✓
15	1800	254T	208-230/460	GP100	1LE22112BB114AA3	1804	GP2	19.0	93.0	268	✓
20	3600	256T	208-230/460	GP100	1LE22112BA214AA3	2288	GP2	22.5	92.4	303	✓
20	1800	256T	208-230/460	GP100	1LE22112BB214AA3	2172	GP2	25.0	93.6	311	✓

# SIMOTICS General purpose motors

GP100 (Cast iron frame)

NEMA Premium®  
Die cast copper rotor

460V 60Hz – C-face footless

HP	RPM	Frame	Voltage	Type	Part Number	List Price \$	Mult. Symb.	FL Amps	FL Nom Eff. (%)	Lbs	Stock
1	1800	143TC	208-230/460	GP100	1LE22111AB214GA3	595	GP2	1.5	86.5	67	✓
1	1200	145TC	208-230/460	GP100	1LE22111AC314GA3	718	GP2	1.6	84.0	67	✓
1.5	3600	143TC	208-230/460	GP100	1LE22111AA214GA3	609	GP2	1.9	87.5	65	✓
1.5	1800	145TC	208-230/460	GP100	1LE22111AB314GA3	646	GP2	2.1	87.5	67	✓
2	3600	145TC	208-230/460	GP100	1LE22111AA314GA3	692	GP2	2.6	88.5	66	✓
2	1800	145TC	208-230/460	GP100	1LE22111AB414GA3	694	GP2	2.8	87.5	68	✓
3	3600	182TC	208-230/460	GP100	1LE22111CA114GA3	804	GP2	3.8	89.5	101	✓
3	1800	182TC	208-230/460	GP100	1LE22111CB114GA3	827	GP2	4.0	90.2	105	✓
3	1200	213TC	208-230/460	GP100	1LE22112AC114GA3	1087	GP2	4.3	90.2	150	✓
5	3600	184TC	208-230/460	GP100	1LE22111CA314GA3	1006	GP2	6.2	90.2	103	✓
5.0	1800	184TC	208-230/460	GP100	1LE22111CB314GA3	923	GP2	6.7	90.2	109	✓
5	1200	215TC	208-230/460	GP100	1LE22112AC214GA3	1555	GP2	7.0	90.2	163	✓
7.5	3600	213TC	208-230/460	GP100	1LE22112AA114GA3	1275	GP2	8.5	91.7	178	✓
7.5	1800	213TC	208-230/460	GP100	1LE22112AB114GA3	1239	GP2	9.5	92.4	178	✓
7.5	1200	254TC	208-230/460	GP100	1LE22112BC114GA3	2088	GP2	10.5	92.4	307	✓
10	3600	215TC	208-230/460	GP100	1LE22112AA214GA3	1479	GP2	11.5	91.7	185	✓
10	1800	215TC	208-230/460	GP100	1LE22112AB214GA3	1480	GP2	12.5	92.4	185	✓
10	1200	256TC	208-230/460	GP100	1LE22112BC214GA3	2424	GP2	13.5	92.4	307	✓
15	3600	254TC	208-230/460	GP100	1LE22112BA114GA3	2029	GP2	17.0	92.4	279	✓
15	1800	254TC	208-230/460	GP100	1LE22112BB114GA3	1984	GP2	19.0	93.0	268	✓
20	3600	256TC	208-230/460	GP100	1LE22112BA214GA3	2468	GP2	22.5	92.4	303	✓
20	1800	256TC	208-230/460	GP100	1LE22112BB214GA3	2352	GP2	25.0	93.6	311	✓

NEMA Premium® is a certification mark of the National Electrical Manufacturers Association. QuikMOD Delivery for stocked motors only.

Stock availability subject to change. Prices and Specifications are subject to change without notice. DOE#CC 032A

# SIMOTICS General purpose motors

GP100 (Cast iron frame)

NEMA Premium®  
Die cast aluminum rotor

575V 60Hz – Foot mounted

HP	RPM	Frame	Voltage	Type	Part Number	List Price \$	Mult. Symb.	FL Amps	FL Nom Eff. (%)	Lbs	Stock
1	3600	143T	575	GP100	1LE22211AA113AA3	454	GP2	1.1	82.5	60	✓
1	1800	143T	575	GP100	1LE22211AB213AA3	454	GP2	1.1	85.5	62	✓
1	1200	145T	575	GP100	1LE22211AC313AA3	563	GP2	1.3	82.5	64	
1	900	182T	575	GP100	1LE22211CD113AA3	682	GP2	2.1	74.0	86	
1.5	3600	143T	575	GP100	1LE22211AA213AA3	466	GP2	1.6	84.0	56	✓
1.5	1800	145T	575	GP100	1LE22211AB313AA3	500	GP2	1.7	86.5	66	✓
1.5	1200	182T	575	GP100	1LE22211CC113AA3	602	GP2	1.9	87.5	93	
1.5	900	184T	575	GP100	1LE22211CD313AA3	852	GP2	3.0	77.0	99	
2	3600	145T	575	GP100	1LE22211AA313AA3	540	GP2	2.0	85.5	59	✓
2	1800	145T	575	GP100	1LE22211AB413AA3	542	GP2	2.2	86.5	66	✓
2	1200	184T	575	GP100	1LE22211CC313AA3	666	GP2	2.6	88.5	102	
2	900	213T	575	GP100	1LE22212AD113AA3	852	GP2	3.3	82.5	123	
3	3600	182T	575	GP100	1LE22211CA113AA3	602	GP2	3.0	86.5	87	✓
3	1800	182T	575	GP100	1LE22211CB113AA3	623	GP2	3.2	89.5	98	✓
3	1200	213T	575	GP100	1LE22212AC113AA3	857	GP2	3.4	89.5	144	
3	900	215T	575	GP100	1LE22212AD213AA3	1222	GP2	4.8	84.0	138	
5	3600	184T	575	GP100	1LE22211CA313AA3	784	GP2	4.8	88.5	98	✓
5	1800	184T	575	GP100	1LE22211CB313AA3	709	GP2	5.2	89.5	104	✓
5	1200	215T	575	GP100	1LE22212AC213AA3	1277	GP2	5.4	89.5	156	
5	900	254T	575	GP100	1LE22212BD113AA3	1774	GP2	8.8	85.5	218	
7.5	3600	213T	575	GP100	1LE22212AA113AA3	1025	GP2	7.0	89.5	148	✓
7.5	1800	213T	575	GP100	1LE22212AB113AA3	994	GP2	7.8	91.7	171	✓
7.5	1200	254T	575	GP100	1LE22212BC113AA3	1630	GP2	8.0	91.0	262	
7.5	900	256T	575	GP100	1LE22212BD213AA3	1787	GP2	13.0	85.0	250	
10	3600	215T	575	GP100	1LE22212AA213AA3	1209	GP2	9.2	90.2	163	✓
10	1800	215T	575	GP100	1LE22212AB213AA3	1209	GP2	10.0	91.7	177	✓
10	1200	256T	575	GP100	1LE22212BC213AA3	1918	GP2	11.0	91.0	259	
10	900	284T	575	GP100	1LE22212CD113AA3	2569	GP2	14.0	90.2	414	
15	3600	254T	575	GP100	1LE22212BA113AA3	1581	GP2	14.0	91.0	258	✓
15	1800	254T	575	GP100	1LE22212BB113AA3	1542	GP2	15.0	92.4	259	✓
15	1200	284T	575	GP100	1LE22212CC113AA3	2510	GP2	17.0	91.7	409	
15	900	286T	575	GP100	1LE22212CD213AA3	3051	GP2	18.5	91.0	459	
20	3600	256T	575	GP100	1LE22212BA213AA3	1955	GP2	18.0	91.0	293	✓
20	1800	256T	575	GP100	1LE22212BB213AA3	1857	GP2	20.0	93.0	292	✓
20	1200	286T	575	GP100	1LE22212CC213AA3	2956	GP2	21.5	91.7	434	
20	900	324T	575	GP100	1LE22213AD113AA3	3664	GP2	25.0	91.0	616	
25	3600	284TS	575	GP100	1LE22212DA113AA3	2268	GP2	23.0	91.7	454	✓
25	1800	284T	575	GP100	1LE22212CB113AA3	2164	GP2	24.0	93.6	429	✓
25	1200	324T	575	GP100	1LE22213AC113AA3	3565	GP2	26.0	93.0	633	
25	900	326T	575	GP100	1LE22213AD213AA3	4242	GP2	32.0	91.0	663	
30	3600	286TS	575	GP100	1LE22212DA213AA3	2751	GP2	27.0	91.7	424	✓
30	1800	286T	575	GP100	1LE22212CB213AA3	2616	GP2	28.0	93.6	449	✓
30	1200	326T	575	GP100	1LE22213AC213AA3	4387	GP2	31.0	93.0	658	
30	900	364T	575	GP100	1LE22213CD113AA3	5449	GP2	37.5	91.0	854	

NEMA Premium® is a certification mark of the National Electrical Manufacturers Association.  
QuikMOD Delivery for stocked motors only.

Stock availability subject to change.  
Prices and Specifications are subject to change without notice.  
DOE#CC032A



# SIMOTICS General purpose motors

GP100 (Cast iron frame)

NEMA Premium®  
Die cast aluminum rotor

575V 60Hz – Foot mounted

HP	RPM	Frame	Voltage	Type	Part Number	List Price \$	Mult. Symb.	FL Amps	FL Nom Eff. (%)	Lbs	Stock
40	3600	324TS	575	GP100	1LE22213BA113AA3	3679	GP2	36.0	93.6	608	✓
40	1800	324T	575	GP100	1LE22213AB113AA3	3522	GP2	37.0	94.1	633	✓
40	1200	364T	575	GP100	1LE22213CC113AA3	6032	GP2	39.0	94.1	828	
40	900	365T	575	GP100	1LE22213CD213AA3	6436	GP2	51.0	91.7	950	
50	3600	326TS	575	GP100	1LE22213BA213AA3	4871	GP2	44.0	93.6	539	✓
50	1800	326T	575	GP100	1LE22213AB213AA3	4428	GP2	46.0	94.5	668	✓
50	1200	365T	575	GP100	1LE22213CC213AA3	7088	GP2	50.0	94.1	863	
60	3600	364TS	575	GP100	1LE22213DA113AA3	5675	GP2	54.5	93.6	780	✓
60	1800	364T	575	GP100	1LE22213CB113AA3	5625	GP2	54.5	95.0	880	✓
60	1200	404T	575	GP100	1LE22214AC113AA3	7354	GP2	59.0	94.5	1047	
75	3600	365TS	575	GP100	1LE22213DA213AA3	7091	GP2	69.0	94.1	888	✓
75	1800	365T	575	GP100	1LE22213CB213AA3	7096	GP2	68.0	95.4	950	✓
75	1200	405T	575	GP100	1LE22214AC213AA3	8615	GP2	75.0	94.5	1117	
100	3600	405TS	575	GP100	1LE22214BA213AA3	10347	GP2	87.0	94.1	1012	✓
100	1800	405T	575	GP100	1LE22214AB213AA3	9547	GP2	90.5	95.4	1107	✓
100	1200	444T	575	GP100	1LE22214CC113AA3	13429	GP2	94.0	95.0	1531	
125	3600	444TS	575	GP100	1LE22214DA113AA3	12831	GP2	110.0	95.0	1381	✓
125	1800	444T	575	GP100	1LE22214CB113AA3	12532	GP2	115.0	95.4	1527	✓
125	1800	444T	575	GP100	1LE22214EB113AA3	11924	GP2	115.0	95.4	1552	
125	1800	444TS	575	GP100	1LE22214DB113AA3	11924	GP2	144.0	95.4	1527	
125	1200	445T	575	GP100	1LE22214CC213AA3	15550	GP2	115.0	95.0	1702	
125	1200	445T	575	GP100	1LE22214EC213AA3	14942	GP2	115.0	95.0	1664	
125	1200	445TS	575	GP100	1LE22214DC213AA3	14942	GP2	164.0	95.0	1647	
150	3600	445TS	575	GP100	1LE22214DA213AA3	15967	GP2	170.0	95.0	1542	
150	1800	445T	575	GP100	1LE22214CB213AA3	14967	GP2	136.0	95.8	1865	
150	1800	445T	575	GP100	1LE22214EB213AA3	14359	GP2	136.0	95.8	1827	
150	1800	445TS	575	GP100	1LE22214DB213AA3	14359	GP2	172.0	95.8	1637	
150	1200	447T	575	GP100	1LE22214CC313AA3	17317	GP2	138.0	95.8	1960	
150	1200	447T	575	GP100	1LE22214EC313AA3	17317	GP2	138.0	95.8	1922	
150	1200	447TS	575	GP100	1LE22214DC313AA3	17317	GP2	216.0	95.8	1867	
200	3600	447TS	575	GP100	1LE22214DA313AA3	22239	GP2	228.0	95.4	2182	
200	1800	447T	575	GP100	1LE22214CB313AA3	19838	GP2	182.0	96.2	2245	
200	1800	447T	575	GP100	1LE22214EB313AA3	19230	GP2	182.0	96.2	2207	
200	1800	447TS	575	GP100	1LE22214DB313AA3	19230	GP2	227.0	96.2	2182	
200	1200	449T	575	GP100	1LE22214CC513AA3	23948	GP2	182.0	95.8	2301	
200	1200	449T	575	GP100	1LE22214EC513AA3	23340	GP2	182.0	95.8	2263	
200	1200	449TS	575	GP100	1LE22214DC513AA3	23340	GP2	182.0	95.8	2240	

NEMA Premium® is a certification mark of the National Electrical Manufacturers Association.  
QuikMOD Delivery for stocked motors only.  
Stock availability subject to change.

Shaded ratings indicate roller bearings on DE.  
900 RPM Motors meet or exceed EPC efficiency.  
Prices and Specifications are subject to change without notice.  
DOE#CC032A

# SIMOTICS General purpose motors

GP100 (Cast iron frame)

NEMA Premium®

Die cast aluminum rotor

575V 60Hz – C-face foot mounted

HP	RPM	Frame	Voltage	Type	Part Number	List Price \$	Mult. Symb.	FL Amps	FL Nom Eff. (%)	Lbs	Stock
1	3600	143TC	575	GP100	1LE22211AA113EA3	560	GP2	1.1	82.5	60	
1	1800	143TC	575	GP100	1LE22211AB213EA3	560	GP2	1.1	85.5	62	
1	1200	145TC	575	GP100	1LE22211AC313EA3	673	GP2	1.3	82.5	64	
1	900	182TC	575	GP100	1LE22211CD113EA3	838	GP2	1.6	74.0	86	
1.5	3600	143TC	575	GP100	1LE22211AA213EA3	573	GP2	1.6	84.0	56	
1.5	1800	145TC	575	GP100	1LE22211AB313EA3	608	GP2	1.7	86.5	66	
1.5	1200	182TC	575	GP100	1LE22211CC113EA3	756	GP2	1.9	87.5	93	
1.5	900	184TC	575	GP100	1LE22211CD313EA3	899	GP2	2.4	77.0	99	
2	3600	145TC	575	GP100	1LE22211AA313EA3	649	GP2	2.0	85.5	59	
2	1800	145TC	575	GP100	1LE22211AB413EA3	651	GP2	2.2	86.5	66	
2	1200	184TC	575	GP100	1LE22211CC313EA3	822	GP2	2.6	88.5	102	
2	900	213TC	575	GP100	1LE22212AD113EA3	1014	GP2	2.6	82.5	123	
3	3600	182TC	575	GP100	1LE22211CA113EA3	756	GP2	3.0	86.5	87	
3	1800	182TC	575	GP100	1LE22211CB113EA3	778	GP2	3.2	89.5	98	
3	1200	213TC	575	GP100	1LE22212AC113EA3	1019	GP2	3.4	89.5	144	
3	900	215TC	575	GP100	1LE22212AD213EA3	1395	GP2	3.8	84.0	138	
5	3600	184TC	575	GP100	1LE22211CA313EA3	943	GP2	4.8	88.5	98	
5	1800	184TC	575	GP100	1LE22211CB313EA3	866	GP2	5.2	89.5	104	
5	1200	215TC	575	GP100	1LE22212AC213EA3	1451	GP2	5.4	89.5	156	
5	900	254TC	575	GP100	1LE22212BD113EA3	2013	GP2	7.0	85.5	218	
7.5	3600	213TC	575	GP100	1LE22212AA113EA3	1192	GP2	7.0	89.5	148	
7.5	1800	213TC	575	GP100	1LE22212AB113EA3	1160	GP2	7.8	91.7	171	
7.5	1200	254TC	575	GP100	1LE22212BC113EA3	1864	GP2	8.0	91.0	262	
7.5	900	256TC	575	GP100	1LE22212BD213EA3	2026	GP2	10.4	85.5	250	
10	3600	215TC	575	GP100	1LE22212AA213EA3	1381	GP2	9.2	90.2	163	
10	1800	215TC	575	GP100	1LE22212AB213EA3	1381	GP2	10.0	91.7	177	
10	1200	256TC	575	GP100	1LE22212BC213EA3	2161	GP2	11.0	91.0	259	
15	3600	254TC	575	GP100	1LE22212BA113EA3	1814	GP2	14.0	91.0	258	
15	1800	254TC	575	GP100	1LE22212BB113EA3	1774	GP2	15.0	92.4	259	
20	3600	256TC	575	GP100	1LE22212BA213EA3	2199	GP2	18.0	91.0	293	
20	1800	256TC	575	GP100	1LE22212BB213EA3	2098	GP2	20.0	93.0	292	

NEMA Premium® is a certification mark of the National Electrical Manufacturers Association.  
QuikMOD Delivery for stocked motors only.

Stock availability subject to change.  
Prices and Specifications are subject to change without notice.  
DOE#CC032A

# SIMOTICS General purpose motors

GP100 (Cast iron frame)

NEMA Premium®  
Die cast aluminum rotor

575V 60Hz – C-face footless

HP	RPM	Frame	Voltage	Type	Part Number	List Price \$	Mult. Symb.	FL Amps	FL Nom Eff. (%)	Lbs	Stock
1	3600	143TC	575	GP100	1LE22211AA113GA3	544	GP2	1.1	82.5	60	
1	1800	143TC	575	GP100	1LE22211AB213GA3	544	GP2	1.1	85.5	62	
1	1200	145TC	575	GP100	1LE22211AC313GA3	653	GP2	1.3	82.5	64	
1	900	182TC	575	GP100	1LE22211CD113GA3	814	GP2	1.6	74.0	86	
1.5	3600	143TC	575	GP100	1LE22211AA213GA3	556	GP2	1.6	84.0	56	
1.5	1800	145TC	575	GP100	1LE22211AB313GA3	590	GP2	1.7	86.5	66	
1.5	1200	182TC	575	GP100	1LE22211CC113GA3	734	GP2	1.9	87.5	93	
1.5	900	184TC	575	GP100	1LE22211CD313GA3	873	GP2	2.4	77.0	99	
2	3600	145TC	575	GP100	1LE22211AA313GA3	630	GP2	2.0	85.5	59	
2	1800	145TC	575	GP100	1LE22211AB413GA3	632	GP2	2.2	86.5	66	
2	1200	184TC	575	GP100	1LE22211CC313GA3	798	GP2	2.6	88.5	102	
2	900	213TC	575	GP100	1LE22212AD113GA3	984	GP2	2.6	82.5	123	
3	3600	182TC	575	GP100	1LE22211CA113GA3	734	GP2	3.0	86.5	87	
3	1800	182TC	575	GP100	1LE22211CB113GA3	755	GP2	3.2	89.5	98	
3	1200	213TC	575	GP100	1LE22212AC113GA3	989	GP2	3.4	89.5	144	
3	900	215TC	575	GP100	1LE22212AD213GA3	1354	GP2	3.8	84.0	138	
5	3600	184TC	575	GP100	1LE22211CA313GA3	916	GP2	4.8	88.5	98	
5	1800	184TC	575	GP100	1LE22211CB313GA3	841	GP2	5.2	89.5	104	
5	1200	215TC	575	GP100	1LE22212AC213GA3	1409	GP2	5.4	89.5	156	
5	900	254TC	575	GP100	1LE22212BD113GA3	1954	GP2	7.0	85.5	218	
7.5	3600	213TC	575	GP100	1LE22212AA113GA3	1157	GP2	7.0	89.5	148	
7.5	1800	213TC	575	GP100	1LE22212AB113GA3	1126	GP2	7.8	91.7	171	
7.5	1200	254TC	575	GP100	1LE22212BC113GA3	1810	GP2	8.0	91.0	262	
7.5	900	256TC	575	GP100	1LE22212BD213GA3	1967	GP2	10.4	85.5	250	
10	3600	215TC	575	GP100	1LE22212AA213GA3	1341	GP2	9.2	90.2	163	
10	1800	215TC	575	GP100	1LE22212AB213GA3	1341	GP2	10.0	91.7	177	
10	1200	256TC	575	GP100	1LE22212BC213GA3	2098	GP2	11.0	91.0	259	
15	3600	254TC	575	GP100	1LE22212BA113GA3	1761	GP2	14.0	91.0	258	
15	1800	254TC	575	GP100	1LE22212BB113GA3	1722	GP2	15.0	92.4	259	
20	3600	256TC	575	GP100	1LE22212BA213GA3	2135	GP2	18.0	91.0	293	
20	1800	256TC	575	GP100	1LE22212BB213GA3	2037	GP2	20.0	93.0	292	

NEMA Premium® is a certification mark of the National Electrical Manufacturers Association.  
QuikMOD Delivery for stocked motors only.  
Stock availability subject to change.

900 RPM Motors meet or exceed EPC efficiency.  
Prices and Specifications are subject to change without notice.  
DOE#CC032A

Introduction  
General Purpose Motors  
Severe Duty Motors  
Hazardous Duty Motors  
Definite Purpose Motors  
Special Features Detail  
Options Selection and Pricing  
Typical Performance Data  
General Dimensions  
Part Number Index

# SIMOTICS General purpose motors

## GP100 (Cast Iron frame)

## Spare Parts

### C-Face Bearing Housing

Frame	Motor Type	Part Number	Description		List Price \$
140TC	GP100	3MSP220072801	Cast iron	C-Face	142
180TC	GP100	3MSP221072801	Cast iron	C-Face	207
210TC	GP100	3MSP222072801	Cast iron	C-Face	284
250TC	GP100	3MSP223072801	Cast iron	C-Face	452
280TC	GP100	3MSP710111201	Cast Iron	C-Face	542
320TC	GP100	3MSP720111201	Cast Iron	C-Face	632
360TC	GP100	3MSP730111201	Cast Iron	C-Face	941
400TC	GP100	51905869002	Cast Iron	C-Face	2063
444TC; 445TC	GP100	51905923005	Cast Iron	C-Face	2836
444TSC; 445TSC	GP100	51905923002	Cast Iron	C-Face	2836

### D-Flange Bearing Housing

Frame	Motor Type	Part Number	Description		List Price \$
140T	GP100	3MSP220072901	Cast iron	D-Flange	310
180T	GP100	3MSP221072901	Cast iron	D-Flange	439
210T	GP100	3MSP222072901	Cast iron	D-Flange	593
250T	GP100	3MSP223072901	Cast iron	D-Flange	903
280T	GP100	3MSP710111501	Cast iron	D-Flange	1083
320T	GP100	3MSP720111501	Cast iron	D-Flange	1676
360T	GP100	3MSP730111501	Cast iron	D-Flange	2011
400T	GP100	51905870002	Cast iron	D-Flange	2475
444TD; 445TD	GP100	51905933004	Cast iron	D-Flange	2604
444TSD; 445TSD	GP100	51905933003	Cast iron	D-Flange	3223

### Bearings

Frame	Motor Type	Part Number	Description		List Price \$
140T	GP100	51601983005	DE/ODE	Bearing, 6205 ZZ C3 25BC02JPP3	41
180T	GP100	51601983006	DE/ODE	Bearing, 6206 ZZ C3 30BC02JPP3	51
210T	GP100	51601983008	DE/ODE	Bearing, 6208 ZZ C3 40BC02JPP3	91
250T	GP100	51601983009	DE/ODE	Bearing, 6209 ZZ C3 45BC02JPP3	177
280T	GP100	51380865010	DE	Bearing, 6310 Z C3 50BC03JP3	212
280T	GP100	51601983010	ODE	Bearing, 6210 Z C3 50BC02JP3	195
320T	GP100	51380865012	DE	Bearing, 6312 Z C3 60BC03JP3	273
320T	GP100	51601983010	ODE	Bearing, 6210 Z C3 50BC02JP3	195
360T	GP100	51380865014	DE.	Bearing, 6314 Z C3 70BC03JP3	429
360T	GP100	51601983014	ODE	Bearing, 6214 Z C3 70BC02JP3	350
400T	GP100	51380865016	DE	Bearing, 6316 Z C3 80BC03JP3	680
400T	GP100	51601983014	ODE	Bearing, 6214 Z C3 70BC02JP3	350
B440T (TC/TD)	GP100	51380865018	DE	Bearing, 6318 Z C3 90BC03JP3	918
444T; 445T (NU)	GP100	51674954018	DE	Bearing, NU 318 C3 90RU03M0	1138
447T; 449T (NU)	GP100	51674954020	DE	Bearing, NU 320 C3 100RU03M0	1138
440T (TC/TD); 440T (NU)	GP100	51601983016	ODE	Bearing, 6216 ZZ C3 80BC02JPP3	680
440TS (TSC/TSD)	GP100	51380865016	DE/ODE	Bearing, 6316 Z C3 80BC03JP3	680

# SIMOTICS General purpose motors

## GP100 (Cast Iron frame)

## Spare Parts

### Fan Housing

Frame	Motor Type	Part Number	Description		List Price \$
140T	GP100	50748014200001	Polypropylene	Fan Housing	85
180T	GP100	50748018200000B	Polypropylene	Fan Housing	107
210T	GP100	50748021200000	Polypropylene	Fan Housing	126
250T	GP100	50748025200000	Polypropylene	Fan Housing	164
280T	GP100	3MSP710114901	Cast Iron	Fan Housing	498
320T	GP100	3MSP720114901	Cast Iron	Fan Housing	554
360T	GP100	3MSP730114901	Cast Iron	Fan Housing	670
360T	GP100	51816825001	Cast Iron	Grid	212
400T	GP100	51816819001	Cast Iron	Fan Housing	900
400T	GP100	51816825001	Cast Iron	Grid	212
440T	GP100	51817031002	Cast Iron	Fan Housing (Drip Cov. ready)	1146
440T	GP100	51817046001	Cast Iron	Grid	263

140T	GP100	3MSP220081101	Polypropylene	Fan Housing for Drip Cover	94
180T	GP100	3MSP221081101	Polypropylene	Fan Housing for Drip Cover	113
210T	GP100	3MSP222081101	Polypropylene	Fan Housing for Drip Cover	132
250T	GP100	3MSP223081101	Polypropylene	Fan Housing for Drip Cover	172
280T	GP100	US2:2MSP710114902	Cast Iron	Fan Housing for Drip Cover	702
320T	GP100	US2:2MSP720114902	Cast Iron	Fan Housing for Drip Cover	670

### Cooling Fan

Frame	Motor Type	Part Number	Description		List Price \$
140T	GP100	3MSG221079614	900RPM	Cooling Fan	148
180T	GP100	3MSG221079612	900RPM	Cooling Fan	228
210T	GP100	3MSG223079613	900RPM	Cooling Fan	268
250T	GP100	3MSG223079611	900RPM	Cooling Fan	348
280T	GP100	51817700002	900RPM	Cooling Fan	429
320T	GP100	51817700001	900RPM	Cooling Fan	429
360T	GP100	51816861002	900RPM	Cooling Fan	429
400T	GP100	51816861002	900RPM	Cooling Fan	429
444T,445T	GP100	51816861001	900RPM	Cooling Fan	429
447T	GP100	51816861001	900RPM	Cooling Fan	429

140T	GP100	3MSG221079614	1200RPM	Cooling Fan	148
180T	GP100	3MSG221079612	1200RPM	Cooling Fan	228
210T	GP100	3MSG223079613	1200RPM	Cooling Fan	268
250T	GP100	3MSG223079613	1200RPM	Cooling Fan	268
280T	GP100	51817700005	1200RPM	Cooling Fan	348
320T	GP100	51817700003	1200RPM	Cooling Fan	402
360T	GP100	51816861004	1200RPM	Cooling Fan	429
400T	GP100	51816861002	1200RPM	Cooling Fan	429
444T,445T	GP100	51816861002	1200RPM	Cooling Fan	429
447T	GP100	51816861002	1200RPM	Cooling Fan	429

# SIMOTICS General purpose motors

## GP100A (Cast Iron frame)

## Spare Parts

### Cooling Fan

Frame	Motor Type	Part Number	Description		List Price \$
140T	GP100	3MSG221079614	1800RPM	Cooling Fan	148
180T	GP100	3MSG221079612	1800RPM	Cooling Fan	228
210T	GP100	3MSG223079617	1800RPM	Cooling Fan	268
250T	GP100	3MSG223079617	1800RPM	Cooling Fan	268
280T	GP100	51817700006	1800RPM	Cooling Fan	348
320T	GP100	51817700005	1800RPM	Cooling Fan	348
360T	GP100	51816861005	1800RPM	Cooling Fan	429
400T	GP100	51816861004	1800RPM	Cooling Fan	429
444T,445T	GP100	51816861003	1800RPM	Cooling Fan	429
447T	GP100	51816861003	1800RPM	Cooling Fan	429
140T	GP100	3MSG221079616	3600RPM	Cooling Fan	148
180T	GP100	3MSG221079614	3600RPM	Cooling Fan	148
210T	GP100	3MSG223079620	3600RPM	Cooling Fan	268
250T	GP100	3MSG223079620	3600RPM	Cooling Fan	268
280T	GP100	51817700007	3600RPM	Cooling Fan	281
320T	GP100	51817700006	3600RPM	Cooling Fan	348
360T	GP100	51816861005	3600RPM	Cooling Fan	429
400T	GP100	51816861005	3600RPM	Cooling Fan	429
444T,445T	GP100	51816861005	3600RPM	Cooling Fan	429
447T	GP100	51816861004	3600RPM	Cooling Fan	429

### Drip Cover

Frame	Motor Type	Part Number	Description		List Price \$
140T	GP100	3MSP223080701	Cast iron	Drip Cover	174
180T	GP100	3MSP223080702	Cast iron	Drip Cover	207
210T	GP100	3MSP223080703	Cast iron	Drip Cover	223
250T	GP100	3MSP223080704	Cast iron	Drip Cover	249
280T	GP100	51770675004	Cast iron	Drip Cover	260
320T	GP100	51770675003	Cast iron	Drip Cover	276
360T	GP100	51770675001	Cast iron	Drip Cover	276
400T	GP100	51770675001	Cast iron	Drip Cover	276
440T	GP100	51770675002	Cast iron	Drip Cover	287

### Main Terminal Box

Frame	Motor Type	Part Number	Description		List Price \$
140T	GP100	3MSG221082501	Cast aluminum	Conduit Box	118
180T	GP100	3MSG221082501	Cast aluminum	Conduit Box	118
210T	GP100	3MSG223082502	Cast aluminum	Conduit Box	148
250T	GP100	3MSG223082501	Cast aluminum	Conduit Box	174
280T	GP100	US2:3MSG710132001	Stamped Steel	Conduit Box	217
320T	GP100	US2:3MSG710132001	Stamped Steel	Conduit Box	217
360T	GP100	US2:3MSG730132001	Stamped Steel	Conduit Box	554
400T	GP100	US2:3MSG730132001	Stamped Steel	Conduit Box	554
440T	GP100	67372011000500	Cast Iron	Conduit Box	554

# SIMOTICS Severe duty motors

## SD100 (Cast iron frame)

SD100 general purpose TEFC motors meet or exceed NEMA Premium® efficiency. With our exclusive, leading-edge, die cast copper frames (143T-256T), or our die cast aluminum (frames 143T-449T) rotor designs, these motors significantly reduce operating costs and pay for themselves in a short time through energy savings. These motors are ideal for use in chemical processing, mining, foundry, pulp and paper, waste management and petrochemical applications.



**NEMA Premium**



**3 YEAR WARRANTY**



HP range	Frame Size	<b>1-400 HP</b> 143T-S449
Efficiency	NEMA Premium® Plus NEMA Premium®	143T-256T 143T-S449
Voltage <sup>1)</sup>	208-230 / 460 V 230 / 460 V 460 V 575V	<b>3 phase 60Hz</b> 1-20HP 1-20HP <sup>2)</sup> 15-400 HP 1-400HP
Insulation	Insulation Class F Service Factor @ 40°C Temperature rise (Sine wave)	<b>NEMA design B <sup>3)</sup></b> NEMA MG1 Part 31 1.15 Class B @ 1.05F Class F @ 1.155F
Frame	8 hole feet Condensation drains High strength carbon steel Shaft V ring slinger - IP54 Bearing Isolator <sup>6)</sup> - IP55	<b>Cast iron</b> Casted Drains Two on lowest point in frame C1045 DE & NDE <sup>4)</sup> 143T-S449
Stator/Windings rotor	Stator Rotor, die cast copper Rotor, die cast aluminum	Random wound copper 143T-256T 143T-S449
Conduit box	Cast iron O-ring	<b>Oversized</b> 143T-S449 143T-S449
Bearings	Double shielded Single shielded Bearing housing Grease Inlet / relief fittings	143T-256T,S449 284T-449 Cast iron Bearing caps Polyurea base Alemite / plug
Fan	Cover Bidirectional fan  Uni-directional fan	Cast Iron -143T-S449 143T-449T Polypropylene Bronze S449 2 Pole - 350-400HP
Hardware	Nameplate Lifting eyebolt Paint	<b>Rust resistant</b> Zinc plated Stainless steel engraved Included above 75 Lbs. Alkyd Modified -RAL7030
Inverter duty	Variable torque 20:1 Constant torque 20:1 Constant torque 10:1 Constant torque 6:1 Constant torque 4:1	143T-S449 4-Pole 143T-365T Al & Cu rotor Cu rotor 143T-256T & 4 Pole Al rotor 404T-445T <sup>3)</sup> 4 Pole Al rotor 447T 3) 2, 6, 8 Pole Al rotor 143T-449T
Hazardous classification	Service factor Service factor 1.15	<sup>5)</sup> CSA - 143-S449 (40°C) Class I, Division 2, T3 temperature code 449-S449 T2D

NEMA Premium® is a certification mark of the National Electrical Manufacturers Association.

<sup>1)</sup> Standard voltage for stock items, see option selection and pricing section for additional voltages

<sup>2)</sup> 8 Pole motors only.

<sup>3)</sup> NEMA design A: 250HP and 300HP, 4 and 6 pole.

<sup>4)</sup> Available as option (L79 DE, L80 NDE, L81 Both ends).

<sup>5)</sup> Available as option (M05, VSD fan).

<sup>6)</sup> Inpro/Seal®.

# SIMOTICS Severe duty motors

## SD100 (Cast iron frame)

NEMA Premium®  
Die cast aluminum rotor

### 460V 60Hz – Foot mounted

HP	RPM	Frame	Voltage	Type	Part Number	List Price \$	Mult. Symb.	FL Amps	FL Nom Eff. (%)	Lbs	Stock
1	3600	143T	208-230/460	SD100	1LE23211AA114AA3	574	SD2	1.4	82.5	75	✓
1	1800	143T	208-230/460	SD100	1LE23211AB214AA3	537	SD2	1.4	85.5	76	✓
1	1200	145T	208-230/460	SD100	1LE23211AC314AA3	663	SD2	1.6	82.5	77	✓
1	900	182T	208-230/460	SD100	1LE23211CD114AA3	900	SD2	2.1	74.0	106	✓
1.5	3600	143T	208-230/460	SD100	1LE23211AA214AA3	574	SD2	2.0	84.0	70	✓
1.5	1800	145T	208-230/460	SD100	1LE23211AB314AA3	595	SD2	2.1	86.5	80	✓
1.5	1200	182T	208-230/460	SD100	1LE23211CC114AA3	747	SD2	2.4	87.5	113	✓
1.5	900	184T	208-230/460	SD100	1LE23211CD314AA3	1014	SD2	3.0	77.0	119	✓
2	3600	145T	208-230/460	SD100	1LE23211AA314AA3	686	SD2	2.5	85.5	72	✓
2	1800	145T	208-230/460	SD100	1LE23211AB414AA3	655	SD2	2.8	86.5	80	✓
2	1200	184T	208-230/460	SD100	1LE23211CC314AA3	835	SD2	3.2	88.5	122	✓
2	900	213T	230/460	SD100	1LE23212AD114AA3	1175	SD2	3.3	82.5	143	✓
3	3600	182T	208-230/460	SD100	1LE23211CA114AA3	771	SD2	3.8	86.5	107	✓
3	1800	182T	208-230/460	SD100	1LE23211CB114AA3	726	SD2	4.0	89.5	118	✓
3	1200	213T	208-230/460	SD100	1LE23212AC114AA3	1017	SD2	4.3	89.5	164	✓
3	900	215T	230/460	SD100	1LE23212AD214AA3	1621	SD2	4.8	84.0	158	✓
5	3600	184T	208-230/460	SD100	1LE23211CA314AA3	955	SD2	6.0	88.5	118	✓
5	1800	184T	208-230/460	SD100	1LE23211CB314AA3	848	SD2	6.5	89.5	124	✓
5	1200	215T	208-230/460	SD100	1LE23212AC214AA3	1433	SD2	6.7	89.5	176	✓
5	900	254T	230/460	SD100	1LE23212BD114AA3	2279	SD2	8.8	85.5	247	✓
7.5	3600	213T	208-230/460	SD100	1LE23212AA114AA3	1121	SD2	8.8	89.5	160	✓
7.5	1800	213T	208-230/460	SD100	1LE23212AB114AA3	1117	SD2	9.7	91.7	191	✓
7.5	1200	254T	208-230/460	SD100	1LE23212BC114AA3	1852	SD2	10.0	91.0	292	✓
7.5	900	256T	230/460	SD100	1LE23212BD214AA3	2630	SD2	13.0	85.5	279	✓
10	3600	215T	208-230/460	SD100	1LE23212AA214AA3	1349	SD2	11.5	90.2	174	✓
10	1800	215T	208-230/460	SD100	1LE23212AB214AA3	1387	SD2	12.5	91.7	197	✓
10	1200	256T	208-230/460	SD100	1LE23212BC214AA3	2328	SD2	13.5	91.0	288	✓
10	900	284T	230/460	SD100	1LE23212CD116AA3	3511	SD3	15.0	91.0	375	✓
15	3600	254T	208-230/460	SD100	1LE23212BA114AA3	1853	SD2	17.5	91.0	287	✓
15	1800	254T	208-230/460	SD100	1LE23212BB114AA3	1826	SD2	19.0	92.4	289	✓
15	1200	284T	230/460	SD100	1LE23212CC116AA3	2954	SD2	21.0	91.7	400	✓
15	900	286T	230/460	SD100	1LE23212CD216AA3	4569	SD2	23.0	91.0	430	✓
20	3600	256T	208-230/460	SD100	1LE23212BA214AA3	2294	SD2	22.5	91.0	323	✓
20	1800	256T	208-230/460	SD100	1LE23212BB214AA3	2274	SD2	25.0	93.0	322	✓
20	1200	286T	230/460	SD100	1LE23212CC216AA3	3598	SD2	27.0	91.7	465	✓
20	900	324T	230/460	SD100	1LE23213AD116AA3	5585	SD2	31.0	91.0	567	✓
25	3600	284TS	460	SD100	1LE23212DA112AA3	2702	SD2	29.0	91.7	415	✓
25	1800	284TS	460	SD100	1LE23212DB112AA3	2587	SD2	30.0	93.6	445	✓
25	1800	284T	460	SD100	1LE23212CB112AA3	2587	SD2	30.0	93.6	445	✓
25	1200	324T	460	SD100	1LE23213AC112AA3	4235	SD2	33.0	93.0	640	✓
25	900	326T	460	SD100	1LE23213AD212AA3	6487	SD2	38.0	90.2	600	✓
30	3600	286TS	460	SD100	1LE23212DA212AA3	3155	SD2	34.0	91.7	430	✓
30	1800	286TS	460	SD100	1LE23212DB212AA3	3010	SD2	35.0	93.6	465	✓
30	1800	286T	460	SD100	1LE23212CB212AA3	3010	SD2	35.0	93.6	465	✓
30	1200	326T	460	SD100	1LE23213AC212AA3	5017	SD2	39.0	93.0	675	✓
30	900	364T	460	SD100	1LE23213CD112AA3	7676	SD2	47.0	91.0	800	✓

NEMA Premium® is a certification mark of the National Electrical Manufacturers Association.  
QuikMOD Delivery for stocked motors only.

Stock availability subject to change.  
Prices and Specifications are subject to change without notice.  
DOE#CC032A



# SIMOTICS Severe duty motors

## SD100 (Cast iron frame)

NEMA Premium®  
Die cast aluminum rotor

### 460V 60Hz – Foot mounted

HP	RPM	Frame	Voltage	Type	Part Number	List Price \$	Mult. Syml.	FL Amps	FL Nom Eff. (%)	Lbs	Stock
40	3600	324TS	460	SD100	1LE23213BA112AA3	4163	SD2	45.0	93.6	575	✓
40	1800	324TS	460	SD100	1LE23213BB112AA3	3998	SD2	46.0	94.1	666	✓
40	1800	324T	460	SD100	1LE23213AB112AA3	3998	SD2	46.0	94.1	666	✓
40	1200	364T	460	SD100	1LE23213CC112AA3	6803	SD2	49.0	94.1	863	✓
40	900	365T	460	SD100	1LE23213CD212AA3	9283	SD2	63.0	91.7	875	✓
50	3600	326TS	460	SD100	1LE23213BA212AA3	5384	SD2	55.0	93.6	610	✓
50	1800	326TS	460	SD100	1LE23213BB212AA3	4910	SD2	58.0	94.5	700	✓
50	1800	326T	460	SD100	1LE23213AB212AA3	4910	SD2	58.0	94.5	700	✓
50	1200	365T	460	SD100	1LE23213CC212AA3	7810	SD2	62.0	94.1	900	✓
50	900	404T	460	SD100	1LE23214AD112AA3	11091	SD2	67.0	91.7	1135	✓
60	3600	364TS	460	SD100	1LE23213DA112AA3	7083	SD2	68.0	93.6	717	✓
60	1800	364TS	460	SD100	1LE23213DB112AA3	7043	SD2	68.0	95.0	930	✓
60	1800	364T	460	SD100	1LE23213CB112AA3	7043	SD2	68.0	95.0	930	✓
60	1200	404T	460	SD100	1LE23214AC112AA3	9150	SD2	74.0	94.5	1100	✓
60	900	405T	460	SD100	1LE23214AD212AA3	12668	SD2	78.0	91.7	1300	✓
75	3600	365TS	460	SD100	1LE23213DA212AA3	8894	SD2	86.0	94.1	815	✓
75	1800	365TS	460	SD100	1LE23213DB212AA3	8928	SD2	85.0	95.4	1000	✓
75	1800	365T	460	SD100	1LE23213CB212AA3	8928	SD2	85.0	95.4	1000	✓
75	1200	405T	460	SD100	1LE23214AC212AA3	10772	SD2	93.0	94.5	1150	✓
75	900	444T	460	SD100	1LE23214CD112AA3	17302	SD2	94.0	93.0	1625	✓
75	900	444TS	460	SD100	1LE23214DD112AA3	16694	SD2	94.0	93.0	1625	
75	900	440T	460	SD100	1LE23214ED112AA3	16694	SD2	94.0	93.0	1625	
100	3600	405TS	460	SD100	1LE23214BA212AA3	11919	SD2	108.0	94.1	1100	✓
100	1800	405TS	460	SD100	1LE23214BB212AA3	11032	SD2	113.0	95.4	1160	✓
100	1800	405T	460	SD100	1LE23214AB212AA3	11032	SD2	113.0	95.4	1160	✓
100	1200	444TS	460	SD100	1LE23214DC112AA3	14724	SD2	117.0	95.0	1545	✓
100	1200	444T	460	SD100	1LE23214CC112AA3	15332	SD2	117.0	95.0	1545	✓
100	1200	444T	460	SD100	1LE23214EC112AA3	14724	SD2	117.0	95.0	1545	✓
100	900	445T	460	SD100	1LE23214CD212AA3	21249	SD2	123.0	94.1	1900	✓
100	900	445T	460	SD100	1LE23214ED212AA3	20641	SD2	123.0	94.1	1900	
100	900	445TS	460	SD100	1LE23214DD212AA3	20641	SD2	123.0	94.1	1900	
125	3600	444TS	460	SD100	1LE23214DA112AA3	15574	SD2	138.0	95.0	1454	✓
125	1800	444TS	460	SD100	1LE23214DB112AA3	14518	SD2	143.0	95.4	1600	✓
125	1800	444T	460	SD100	1LE23214CB112AA3	15126	SD2	143.0	95.4	1600	✓
125	1800	444T	460	SD100	1LE23214EB112AA3	14518	SD2	143.0	95.4	1600	✓
125	1200	445TS	460	SD100	1LE23214DC212AA3	18079	SD2	144.0	95.0	1720	✓
125	1200	445T	460	SD100	1LE23214CC212AA3	18687	SD2	144.0	95.0	1720	✓
125	1200	445T	460	SD100	1LE23214EC212AA3	18079	SD2	144.0	95.0	1720	✓
125	900	447T	460	SD100	1LE23214CD312AA3	22505	SD2	152.0	93.6	2280	✓
125	900	447T	460	SD100	1LE23214ED312AA3	21897	SD2	152.0	93.6	2280	
125	900	447TS	460	SD100	1LE23214DD312AA3	21897	SD2	152.0	93.6	2280	

NEMA Premium® is a certification mark of the National Electrical Manufacturers Association.  
QuikMOD Delivery for stocked motors only.  
Shaded ratings indicated roller bearings.

Stock availability subject to change.  
Prices and Specifications are subject to change without notice.  
DOE#CC032A

# SIMOTICS Severe duty motors

## SD100 (Cast iron frame)

NEMA Premium®  
Die cast aluminum rotor

### 460V 60Hz – Foot mounted

HP	RPM	Frame	Voltage	Type	Part Number	List Price \$	Mult. Symb.	FL Amps	FL Nom Eff. (%)	Lbs	Stock
150	3600	445TS	460	SD100	1LE23214DA212AA3	18709	SD2	164.0	95.0	1615	✓
150	1800	445TS	460	SD100	1LE23214DB212AA3	16878	SD2	170.0	95.8	1710	✓
150	1800	445T	460	SD100	1LE23214CB212AA3	17486	SD2	170.0	95.8	1710	✓
150	1800	445T	460	SD100	1LE23214EB212AA3	16878	SD2	170.0	95.8	1710	✓
150	1200	447TS	460	SD100	1LE23214DC312AA3	20228	SD2	172.0	95.8	1995	✓
150	1200	447T	460	SD100	1LE23214CC312AA3	20836	SD2	172.0	95.8	1995	✓
150	1200	447T	460	SD100	1LE23214EC312AA3	20228	SD2	172.0	95.8	1995	✓
150	900	447T	460	SD100	1LE23214CD412AA3	28572	SD2	186.0	94.1	2280	✓
150	900	447T	460	SD100	1LE23214ED412AA3	27964	SD2	186.0	94.1	2280	
200	3600	447TS	460	SD100	1LE23214DA312AA3	23666	SD2	216.0	95.4	1890	✓
200	1800	447TS	460	SD100	1LE23214DB312AA3	20529	SD2	226.0	96.2	2035	✓
200	1800	447T	460	SD100	1LE23214CB312AA3	21137	SD2	226.0	96.2	2035	✓
200	1800	447T	460	SD100	1LE23214EB312AA3	20529	SD2	226.0	96.2	2035	✓
200	1200	449TS	460	SD100	1LE23214DC512AA3	24761	SD2	227.0	95.8	2425	✓
200	1200	449T	460	SD100	1LE23214CC512AA3	25369	SD2	227.0	95.8	2425	✓
200	1200	449T	460	SD100	1LE23214EC512AA3	24761	SD2	227.0	95.8	2425	✓
200	900	S449LS	460	SD100	1LE23214FD112AA3	34838	SD2	241.0	94.5	3200	✓
200	900	S449SS	460	SD100	1LE23214GD112AA3	34230	SD2	241.0	94.5	3200	
250	3600	449TS	460	SD100	1LE23214DA512AA3	29849	SD2	265.0	95.8	2272	✓
250	1800	449TS 2)	460	SD100	1LE23214DB512AA3	25755	SD2	278.0	96.2	2425	✓
250	1800	449T 2)	460	SD100	1LE23214CB512AA3	26363	SD2	278.0	96.2	2425	✓
250	1800	449T 2)	460	SD100	1LE23214EB512AA3	25755	SD2	278.0	96.2	2425	✓
250	1200	449TS 2)	460	SD100	1LE23214DC612AA3	26944	SD2	281.0	95.8	2390	✓
250	1200	449T 2)	460	SD100	1LE23214CC612AA3	27552	SD2	281.0	95.8	2390	✓
250	1200	449T 2)	460	SD100	1LE23214EC612AA3	26944	SD2	281.0	95.8	2390	✓
250	900	S449LS	460	SD100	1LE23214FD212AA3	41045	SD2	303.0	94.5	3316	✓
300	3600	449TS	460	SD100	1LE23214DA612AA3	40858	SD2	325.0	95.8	2200	✓
300	1800	449TS 2)	460	SD100	1LE23214DB612AA3	30036	SD2	338.0	96.2	3130	✓
300	1800	449T 2)	460	SD100	1LE23214CB612AA3	30644	SD2	338.0	96.2	3130	✓
300	1800	449T 2)	460	SD100	1LE23214EB612AA3	30036	SD2	338.0	96.2	3130	✓
300	1200	S449LS 2)	460	SD100	1LE23214FC112AA3	48251	SD2	340.0	95.8	3240	✓
350	3600	S449SS 1)	460	SD100	1LE23214GA112AA3	41992	SD2	370.0	95.8	2890	✓
350	1800	S449SS	460	SD100	1LE23214GB212AA3	39003	SD2	390.0	96.2	3190	✓
350	1800	S449LS	460	SD100	1LE23214FB212AA3	39611	SD2	390.0	96.2	3190	✓
400	3600	S449SS 1)	460	SD100	1LE23214GA312AA3	52365	SD2	422.0	95.8	3065	✓
400	1800	S449SS	460	SD100	1LE23214GB312AA3	48649	SD2	454.0	96.2	3240	✓
400	1800	S449LS	460	SD100	1LE23214FB312AA3	49257	SD2	454.0	96.2	3240	✓

NEMA Premium® is a certification mark of the National Electrical Manufacturers Association.  
QuikMOD Delivery for stocked motors only.  
Shaded ratings indicated roller bearings.  
Stock availability subject to change.

1) CW Rotation facing opposite DE  
2) NEMA design A  
Prices and Specifications are subject to change without notice.  
DOE#CC032A

# SIMOTICS Severe duty motors

## SD100 (Cast iron frame)

NEMA Premium®  
Die cast aluminum rotor

### 460V 60Hz – C-face footless

HP	RPM	Frame	Voltage	Type	Part Number	List Price \$	Mult. Symb.	FL Amps	FL Nom Eff. (%)	Lbs	Stock
1	3600	143TC	208-230/460	SD100	1LE23211AA114GA3	664	SD2	1.4	82.5	75	✓
1	1800	143TC	208-230/460	SD100	1LE23211AB214GA3	627	SD2	1.4	85.5	76	✓
1	1200	145TC	208-230/460	SD100	1LE23211AC314GA3	753	SD2	1.6	82.5	77	✓
1	900	182TC	208-230/460	SD100	1LE23211CD114GA3	1032	SD2	2.1	74.0	106	✓
1.5	3600	143TC	208-230/460	SD100	1LE23211AA214GA3	664	SD2	2.0	84.0	70	✓
1.5	1800	145TC	208-230/460	SD100	1LE23211AB314GA3	685	SD2	2.1	86.5	80	✓
1.5	1200	182TC	208-230/460	SD100	1LE23211CC114GA3	879	SD2	2.4	87.5	113	✓
1.5	900	184TC	208-230/460	SD100	1LE23211CD314GA3	1146	SD2	3.0	77.0	119	✓
2	3600	145TC	208-230/460	SD100	1LE23211AA314GA3	776	SD2	2.5	85.5	72	✓
2	1800	145TC	208-230/460	SD100	1LE23211AB414GA3	745	SD2	2.8	86.5	80	✓
2	1200	184TC	208-230/460	SD100	1LE23211CC314GA3	967	SD2	3.2	88.5	122	✓
2	900	213TC	208-230/460	SD100	1LE23212AD114GA3	1307	SD2	3.3	82.5	143	✓
3	3600	182TC	208-230/460	SD100	1LE23211CA114GA3	903	SD2	3.8	86.5	107	✓
3	1800	182TC	208-230/460	SD100	1LE23211CB114GA3	858	SD2	4.0	89.5	118	✓
3	1200	213TC	208-230/460	SD100	1LE23212AC114GA3	1149	SD2	4.3	89.5	164	✓
3	900	215TC	208-230/460	SD100	1LE23212AD214GA3	1753	SD2	4.8	84.0	158	✓
5	3600	184TC	208-230/460	SD100	1LE23211CA314GA3	1087	SD2	6.0	88.5	118	✓
5	1800	184TC	208-230/460	SD100	1LE23211CB314GA3	980	SD2	6.5	89.5	124	✓
5	1200	215TC	208-230/460	SD100	1LE23212AC214GA3	1565	SD2	6.7	89.5	176	✓
5	900	254TC	208-230/460	SD100	1LE23212BD114GA3	2459	SD2	8.8	85.5	247	✓
7.5	3600	213TC	208-230/460	SD100	1LE23212AA114GA3	1253	SD2	8.8	89.5	160	✓
7.5	1800	213TC	208-230/460	SD100	1LE23212AB114GA3	1249	SD2	9.7	91.7	191	✓
7.5	1200	254TC	208-230/460	SD100	1LE23212BC114GA3	2032	SD2	10.0	91.0	292	✓
7.5	900	256TC	208-230/460	SD100	1LE23212BD214GA3	2810	SD2	13.0	85.5	279	✓
10	3600	215TC	208-230/460	SD100	1LE23212AA214GA3	1481	SD2	11.5	90.2	174	✓
10	1800	215TC	208-230/460	SD100	1LE23212AB214GA3	1519	SD2	12.5	91.7	197	✓
10	1200	256TC	208-230/460	SD100	1LE23212BC214GA3	2508	SD2	13.5	91.0	288	✓
15	3600	254TC	208-230/460	SD100	1LE23212BA114GA3	2033	SD2	17.5	91.0	287	✓
15	1800	254TC	208-230/460	SD100	1LE23212BB114GA3	2006	SD2	19.0	92.4	289	✓
20	3600	256TC	208-230/460	SD100	1LE23212BA214GA3	2474	SD2	22.5	91.0	323	✓
20	1800	256TC	208-230/460	SD100	1LE23212BB214GA3	2454	SD2	25.0	93.0	322	✓

NEMA Premium® is a certification mark of the National Electrical Manufacturers Association.  
QuikMOD Delivery for stocked motors only.

Stock availability subject to change.  
Prices and Specifications are subject to change without notice.  
DOE#CC032A

# SIMOTICS Severe duty motors

## SD100 (Cast iron frame)

NEMA Premium®  
Die cast copper rotor

### 460V 60Hz – Foot mounted

HP	RPM	Frame	Voltage	Type	Part Number	List Price \$	Mult. Symb.	FL Amps	FL Nom Eff. (%)	Lbs	Stock
1	1800	143T	208-230/460	SD100	1LE23111AB214AA3	<b>627</b>	SD2	1.5	86.5	81	✓
1	1200	145T	208-230/460	SD100	1LE23111AC314AA3	<b>780</b>	SD2	1.6	84.0	81	✓
1.5	3600	143T	208-230/460	SD100	1LE23111AA214AA3	<b>671</b>	SD2	1.9	87.5	80	✓
1.5	1800	145T	208-230/460	SD100	1LE23111AB314AA3	<b>695</b>	SD2	2.1	87.5	81	✓
2	3600	145T	208-230/460	SD100	1LE23111AA314AA3	<b>802</b>	SD2	2.6	88.5	80	✓
2	1800	145T	208-230/460	SD100	1LE23111AB414AA3	<b>765</b>	SD2	2.8	87.5	81	✓
3	3600	182T	208-230/460	SD100	1LE23111CA114AA3	<b>903</b>	SD2	3.8	89.5	121	✓
3	1800	182T	208-230/460	SD100	1LE23111CB114AA3	<b>847</b>	SD2	4.0	90.2	125	✓
3	1200	213T	208-230/460	SD100	1LE23112AC114AA3	<b>1198</b>	SD2	4.3	90.2	170	✓
5	3600	184T	208-230/460	SD100	1LE23111CA314AA3	<b>1117</b>	SD2	6.2	90.2	123	✓
5	1800	184T	208-230/460	SD100	1LE23111CB314AA3	<b>990</b>	SD2	6.7	90.2	129	✓
5	1200	215T	208-230/460	SD100	1LE23112AC214AA3	<b>1688</b>	SD2	7.0	90.2	184	✓
7.5	3600	213T	208-230/460	SD100	1LE23112AA114AA3	<b>1312</b>	SD2	8.5	91.7	191	✓
7.5	1800	213T	208-230/460	SD100	1LE23112AB114AA3	<b>1304</b>	SD2	9.5	92.4	198	✓
7.5	1200	254T	208-230/460	SD100	1LE23112BC114AA3	<b>2181</b>	SD2	10.5	92.4	336	✓
10	3600	215T	208-230/460	SD100	1LE23112AA214AA3	<b>1579</b>	SD2	11.5	91.7	196	✓
10	1800	215T	208-230/460	SD100	1LE23112AB214AA3	<b>1617</b>	SD2	12.5	92.4	206	✓
10	1200	256T	208-230/460	SD100	1LE23112BC214AA3	<b>2742</b>	SD2	13.5	92.4	337	✓
15	3600	254T	208-230/460	SD100	1LE23112BA114AA3	<b>2168</b>	SD2	17.0	92.4	309	✓
15	1800	254T	208-230/460	SD100	1LE23112BB114AA3	<b>2131</b>	SD2	19.0	93.0	297	✓
20	3600	256T	208-230/460	SD100	1LE23112BA214AA3	<b>2684</b>	SD2	22.5	92.4	333	✓
20	1800	256T	208-230/460	SD100	1LE23112BB214AA3	<b>2653</b>	SD2	25.0	93.6	341	✓

NEMA Premium® is a certification mark of the National Electrical Manufacturers Association.  
QuikMOD Delivery for stocked motors only.

Stock availability subject to change.  
Prices and Specifications are subject to change without notice.  
DOE#CC032A

# SIMOTICS Severe duty motors

## SD100 (Cast iron frame)

NEMA Premium®  
Die cast copper rotor

### 460V 60Hz – C-face footless

HP	RPM	Frame	Voltage	Type	Part Number	List Price \$	Mult. Symb.	FL Amps	FL Nom Eff (%)	Lbs	Stock
1	1800	143TC	208-230/460	SD100	1LE23111AB214GA3	717	SD2	1.5	86.5	81	✓
1	1200	145TC	208-230/460	SD100	1LE23111AC314GA3	870	SD2	1.6	84.0	81	✓
1.5	3600	143TC	208-230/460	SD100	1LE23111AA214GA3	761	SD2	1.9	87.5	80	✓
1.5	1800	145TC	208-230/460	SD100	1LE23111AB314GA3	785	SD2	2.1	87.5	81	✓
2	3600	145TC	208-230/460	SD100	1LE23111AA314GA3	892	SD2	2.6	88.5	80	✓
2	1800	145TC	208-230/460	SD100	1LE23111AB414GA3	855	SD2	2.8	87.5	81	✓
3	3600	182TC	208-230/460	SD100	1LE23111CA114GA3	1035	SD2	3.8	89.5	121	✓
3	1800	182TC	208-230/460	SD100	1LE23111CB114GA3	979	SD2	4.0	90.2	125	✓
3	1200	213TC	208-230/460	SD100	1LE23112AC114GA3	1330	SD2	4.3	90.2	170	✓
5	3600	184TC	208-230/460	SD100	1LE23111CA314GA3	1249	SD2	6.2	90.2	123	✓
5	1800	184TC	208-230/460	SD100	1LE23111CB314GA3	1122	SD2	6.7	90.2	129	✓
5	1200	215TC	208-230/460	SD100	1LE23112AC214GA3	1820	SD2	7.0	90.2	184	✓
7.5	3600	213TC	208-230/460	SD100	1LE23112AA114GA3	1444	SD2	8.5	91.7	191	✓
7.5	1800	213TC	208-230/460	SD100	1LE23112AB114GA3	1436	SD2	9.5	92.4	198	✓
7.5	1200	254TC	208-230/460	SD100	1LE23112BC114GA3	2361	SD2	10.5	92.4	336	✓
10	3600	215TC	208-230/460	SD100	1LE23112AA214GA3	1711	SD2	11.5	91.7	196	✓
10	1800	215TC	208-230/460	SD100	1LE23112AB214GA3	1749	SD2	12.5	92.4	206	✓
10	1200	256TC	208-230/460	SD100	1LE23112BC214GA3	2922	SD2	13.5	92.4	337	✓
15	3600	254TC	208-230/460	SD100	1LE23112BA114GA3	2348	SD2	17.0	92.4	309	✓
15	1800	254TC	208-230/460	SD100	1LE23112BB114GA3	2311	SD2	19.0	93.0	297	✓
20	3600	256TC	208-230/460	SD100	1LE23112BA214GA3	2864	SD2	22.5	92.4	333	✓
20	1800	256TC	208-230/460	SD100	1LE23112BB214GA3	2833	SD2	25.0	93.6	341	✓

NEMA Premium® is a certification mark of the National Electrical Manufacturers Association.  
QuikMOD Delivery for stocked motors only.

Stock availability subject to change.  
Prices and Specifications are subject to change without notice.  
DOE#CC032A

# SIMOTICS Severe duty motors

## SD100 (Cast iron frame)

## NEMA Premium® Die cast aluminum rotor

### 575V 60Hz – Foot mounted

HP	RPM	Frame	Voltage	Type	Part Number	List Price \$	Mult. Symb.	FL Amps	FL Nom Eff. (%)	Lbs	Stock
1	3600	143T	575	SD100	1LE23211AA113AA3	574	SD2	1.1	82.5	75	✓
1	1800	143T	575	SD100	1LE23211AB213AA3	537	SD2	1.1	85.5	76	✓
1	1200	145T	575	SD100	1LE23211AC313AA3	663	SD2	1.3	82.5	77	✓
1	900	182T	575	SD100	1LE23211CD113AA3	900	SD2	1.6	74.0	106	
1.5	3600	143T	575	SD100	1LE23211AA213AA3	574	SD2	1.6	84.0	70	✓
1.5	1800	145T	575	SD100	1LE23211AB313AA3	595	SD2	1.7	86.5	80	✓
1.5	1200	182T	575	SD100	1LE23211CC113AA3	747	SD2	1.9	87.5	113	✓
1.5	900	184T	575	SD100	1LE23211CD313AA3	1014	SD2	2.4	77.0	119	
2	3600	145T	575	SD100	1LE23211AA313AA3	686	SD2	2.0	85.5	72	✓
2	1800	145T	575	SD100	1LE23211AB413AA3	655	SD2	2.2	86.5	80	✓
2	1200	184T	575	SD100	1LE23211CC313AA3	835	SD2	2.6	88.5	122	✓
2	900	213T	575	SD100	1LE23212AD113AA3	1175	SD2	2.6	82.5	143	
3	3600	182T	575	SD100	1LE23211CA113AA3	771	SD2	3.0	86.5	107	✓
3	1800	182T	575	SD100	1LE23211CB113AA3	726	SD2	3.2	89.5	118	✓
3	1200	213T	575	SD100	1LE23212AC113AA3	1017	SD2	3.4	89.5	164	✓
3	900	215T	575	SD100	1LE23212AD213AA3	1621	SD2	3.8	84.0	158	
5	3600	184T	575	SD100	1LE23211CA313AA3	955	SD2	4.8	88.5	118	✓
5	1800	184T	575	SD100	1LE23211CB313AA3	848	SD2	5.2	89.5	124	✓
5	1200	215T	575	SD100	1LE23212AC213AA3	1433	SD2	5.4	89.5	176	✓
5	900	254T	575	SD100	1LE23212BD113AA3	2279	SD2	7.0	85.5	247	
7.5	3600	213T	575	SD100	1LE23212AA113AA3	1121	SD2	7.0	89.5	160	✓
7.5	1800	213T	575	SD100	1LE23212AB113AA3	1117	SD2	7.8	91.7	191	✓
7.5	1200	254T	575	SD100	1LE23212BC113AA3	1852	SD2	8.0	91.0	292	✓
7.5	900	256T	575	SD100	1LE23212BD213AA3	2630	SD2	10.5	85.5	279	
10	3600	215T	575	SD100	1LE23212AA213AA3	1349	SD2	9.2	90.2	174	✓
10	1800	215T	575	SD100	1LE23212AB213AA3	1387	SD2	10.0	91.7	197	✓
10	1200	256T	575	SD100	1LE23212BC213AA3	2328	SD2	11.0	91.0	288	✓
10	900	284T	575	SD100	1LE23212CD113AA3	3511	SD2	12.0	91.0	375	
15	3600	254T	575	SD100	1LE23212BA113AA3	1853	SD2	14.0	91.0	287	✓
15	1800	254T	575	SD100	1LE23212BB113AA3	1826	SD2	15.0	92.4	289	✓
15	1200	284T	575	SD100	1LE23212CC113AA3	2954	SD2	17.0	91.7	400	✓
15	900	286T	575	SD100	1LE23212CD213AA3	4569	SD2	18.4	91.0	430	
20	3600	256T	575	SD100	1LE23212BA213AA3	2294	SD2	18.0	91.0	323	✓
20	1800	256T	575	SD100	1LE23212BB213AA3	2274	SD2	20.0	93.0	322	✓
20	1200	286T	575	SD100	1LE23212CC213AA3	3598	SD2	21.5	91.7	465	✓
20	900	324T	575	SD100	1LE23213AD113AA3	5585	SD2	24.8	91.0	567	
25	3600	284TS	575	SD100	1LE23212DA113AA3	2702	SD2	23.0	91.7	415	✓
25	1800	284TS	575	SD100	1LE23212DB113AA3	2587	SD2	24.0	93.6	445	
25	1800	284T	575	SD100	1LE23212CB113AA3	2587	SD2	24.0	93.6	445	✓
25	1200	324T	575	SD100	1LE23213AC113AA3	4235	SD2	26.0	93.0	640	
25	900	326T	575	SD100	1LE23213AD213AA3	6487	SD2	30.4	90.2	600	
30	3600	286TS	575	SD100	1LE23212DA213AA3	3155	SD2	27.0	91.7	430	✓
30	1800	286TS	575	SD100	1LE23212DB213AA3	3010	SD2	28.0	93.6	465	
30	1800	286T	575	SD100	1LE23212CB213AA3	3010	SD2	28.0	93.6	465	✓
30	1200	326T	575	SD100	1LE23213AC213AA3	5017	SD2	31.0	93.0	675	
30	900	364T	575	SD100	1LE23213CD113AA3	7676	SD2	37.6	91.0	800	

NEMA Premium® is a certification mark of the National Electrical Manufacturers Association.  
QuikMOD Delivery for stocked motors only.

Stock availability subject to change.  
Prices and Specifications are subject to change without notice.  
Stock availability subject to change.

# SIMOTICS Severe duty motors

## SD100 (Cast iron frame)

NEMA Premium®  
Die cast aluminum rotor

### 575V 60Hz – Foot mounted

HP	RPM	Frame	Voltage	Type	Part Number	List Price \$	Mult. Symb.	FL Amps	FL Nom Eff. (%)	Lbs	Stock
40	3600	324TS	575	SD100	1LE23213BA113AA3	4163	SD2	36.0	93.6	575	✓
40	1800	324TS	575	SD100	1LE23213BB113AA3	3998	SD2	37.0	94.1	666	✓
40	1800	324T	575	SD100	1LE23213AB113AA3	3998	SD2	37.0	94.1	666	✓
40	1200	364T	575	SD100	1LE23213CC113AA3	6803	SD2	39.0	94.1	863	✓
40	900	365T	575	SD100	1LE23213CD213AA3	9283	SD2	50.4	91.7	875	
50	3600	326TS	575	SD100	1LE23213BA213AA3	5384	SD2	44.0	93.6	610	✓
50	1800	326TS	575	SD100	1LE23213BB213AA3	4910	SD2	46.0	94.5	700	
50	1800	326T	575	SD100	1LE23213AB213AA3	4910	SD2	46.0	94.5	700	✓
50	1200	365T	575	SD100	1LE23213CC213AA3	7810	SD2	50.0	94.1	900	✓
50	900	404T	575	SD100	1LE23214AD113AA3	11091	SD2	53.6	91.7	1135	
60	3600	364TS	575	SD100	1LE23213DA113AA3	7083	SD2	54.5	93.6	717	✓
60	1800	364TS	575	SD100	1LE23213DB113AA3	7043	SD2	54.5	95.0	930	
60	1800	364T	575	SD100	1LE23213CB113AA3	7043	SD2	54.5	95.0	930	✓
60	1200	404T	575	SD100	1LE23214AC113AA3	9150	SD2	59.0	94.5	1100	
60	900	405T	575	SD100	1LE23214AD213AA3	12668	SD2	62.4	91.7	1300	
75	3600	365TS	575	SD100	1LE23213DA213AA3	8894	SD2	68.8	94.1	815	✓
75	1800	365TS	575	SD100	1LE23213DB213AA3	8928	SD2	68.0	95.4	1000	
75	1800	365T	575	SD100	1LE23213CB213AA3	8928	SD2	68.0	95.4	1000	✓
75	1200	405T	575	SD100	1LE23214AC213AA3	10772	SD2	75.0	94.5	1150	
75	900	444T	575	SD100	1LE23214CD113AA3	17302	SD2	75.2	93.0	1625	
75	900	444T	575	SD100	1LE23214ED113AA3	16694	SD2	75.2	93.0	1625	
75	900	444TS	575	SD100	1LE23214DD113AA3	16694	SD2	75.2	93.0	1625	
100	3600	405TS	575	SD100	1LE23214BA213AA3	11919	SD2	87.0	94.1	1100	
100	1800	405TS	575	SD100	1LE23214BB213AA3	11032	SD2	90.5	95.4	1160	✓
100	1800	405T	575	SD100	1LE23214AB213AA3	11032	SD2	90.5	95.4	1160	✓
100	1200	444TS	575	SD100	1LE23214DC113AA3	14724	SD2	94.0	95.0	1545	
100	1200	444T	575	SD100	1LE23214CC113AA3	15332	SD2	94.0	95.0	1545	
100	1200	444T	575	SD100	1LE23214EC113AA3	14724	SD2	94.0	95.0	1545	
100	900	445T	575	SD100	1LE23214CD213AA3	21249	SD2	98.4	94.1	1900	
100	900	445T	575	SD100	1LE23214ED213AA3	20641	SD2	98.4	94.1	1900	
100	900	445TS	575	SD100	1LE23214DD213AA3	20641	SD2	98.4	94.1	1900	
125	3600	444TS	575	SD100	1LE23214DA113AA3	15574	SD2	110.0	95.0	1454	
125	1800	444TS	575	SD100	1LE23214DB113AA3	14518	SD2	115.0	95.4	1600	
125	1800	444T	575	SD100	1LE23214CB113AA3	15126	SD2	115.0	95.4	1600	✓
125	1800	444T	575	SD100	1LE23214EB113AA3	14518	SD2	115.0	95.4	1600	✓
125	1200	445TS	575	SD100	1LE23214DC213AA3	18079	SD2	115.0	95.0	1720	
125	1200	445T	575	SD100	1LE23214CC213AA3	18687	SD2	115.0	95.0	1720	
125	1200	445T	575	SD100	1LE23214EC213AA3	18079	SD2	115.0	95.0	1720	
125	900	447T	575	SD100	1LE23214CD313AA3	22505	SD2	121.6	93.6	2280	
125	900	447T	575	SD100	1LE23214ED313AA3	21897	SD2	121.6	93.6	2280	
125	900	447TS	575	SD100	1LE23214DD313AA3	21897	SD2	121.6	93.6	2280	

NEMA Premium® is a certification mark of the National Electrical Manufacturers Association.  
QuikMOD Delivery for stocked motors only.  
Shaded ratings indicated roller bearings.

Stock availability subject to change.  
Prices and Specifications are subject to change without notice.  
DOE#CC032A

Introduction  
General Purpose Motors  
Severe Duty Motors  
Hazardous Duty Motors  
Definite Purpose Motors  
Special Features Detail  
Options Selection and Pricing  
Typical Performance Data  
General Dimensions  
Part Number Index

# SIMOTICS Severe duty motors

SD100 (Cast iron frame)

NEMA Premium®  
Die cast aluminum rotor

## 575V 60Hz – Foot mounted

HP	RPM	Frame	Voltage	Type	Part Number	List Price \$	Mult. Symb.	FL Amps	FL Nom Eff. (%)	Lbs	Stock
150	3600	445TS	575	SD100	1LE23214DA213AA3	18709	SD2	131.0	95.0	1615	
150	1800	445TS	575	SD100	1LE23214DB213AA3	16878	SD2	136.0	95.8	1710	✓
150	1800	445T	575	SD100	1LE23214CB213AA3	17486	SD2	136.0	95.8	1710	✓
150	1800	445T	575	SD100	1LE23214EB213AA3	16878	SD2	136.0	95.8	1710	✓
150	1200	447TS	575	SD100	1LE23214DC313AA3	20228	SD2	138.0	95.8	1995	
150	1200	447T	575	SD100	1LE23214CC313AA3	20836	SD2	138.0	95.8	1995	
150	1200	447T	575	SD100	1LE23214EC313AA3	20228	SD2	138.0	95.8	1995	
150	900	447T	575	SD100	1LE23214CD413AA3	28572	SD2	148.8	94.1	2280	
150	900	447T	575	SD100	1LE23214ED413AA3	27964	SD2	148.8	94.1	2280	
150	900	447TS	575	SD100	1LE23214DD413AA3	27964	SD2	148.8	94.1	2280	
200	3600	447TS	575	SD100	1LE23214DA313AA3	23666	SD2	173.0	95.4	1890	
200	1800	447TS	575	SD100	1LE23214DB313AA3	20529	SD2	181.0	96.2	2035	✓
200	1800	447T	575	SD100	1LE23214CB313AA3	21137	SD2	181.0	96.2	2035	✓
200	1800	447T	575	SD100	1LE23214EB313AA3	20529	SD2	181.0	96.2	2035	✓
200	1200	449TS	575	SD100	1LE23214DC513AA3	24761	SD2	182.0	95.8	2425	
200	1200	449T	575	SD100	1LE23214CC513AA3	25369	SD2	182.0	95.8	2425	
200	1200	449T	575	SD100	1LE23214EC513AA3	24761	SD2	182.0	95.8	2425	
200	900	S449LS	575	SD100	1LE23214FD113AA3	34838	SD2	192.8	94.5	3200	
200	900	S449SS	575	SD100	1LE23214GD113AA3	34230	SD2	192.8	94.5	3200	
250	3600	449TS	575	SD100	1LE23214DA513AA3	29849	SD2	212.0	95.8	2272	
250	1800	449TS 2)	575	SD100	1LE23214DB513AA3	25755	SD2	223.0	96.2	2425	
250	1800	449T 2)	575	SD100	1LE23214CB513AA3	26363	SD2	223.0	96.2	2425	✓
250	1800	449T 2)	575	SD100	1LE23214EB513AA3	25755	SD2	223.0	96.2	2425	
250	1200	449TS 2)	575	SD100	1LE23214DC613AA3	26944	SD2	225.0	95.8	2390	
250	1200	449T 2)	575	SD100	1LE23214CC613AA3	27552	SD2	225.0	95.8	2390	
250	1200	449T 2)	575	SD100	1LE23214EC613AA3	26944	SD2	225.0	95.8	2390	
250	900	S449LS	575	SD100	1LE23214FD213AA3	41045	SD2	303.0	94.5	3316	
300	3600	449TS	575	SD100	1LE23214DA613AA3	40858	SD2	260.0	95.8	2200	
300	1800	449TS 2)	575	SD100	1LE23214DB613AA3	30036	SD2	270.0	96.2	3130	
300	1800	449T 2)	575	SD100	1LE23214CB613AA3	30644	SD2	270.0	96.2	3130	
300	1800	449T 2)	575	SD100	1LE23214EB613AA3	30036	SD2	270.0	96.2	3130	
300	1200	S449LS 2)	575	SD100	1LE23214FC113AA3	48255	SD2	272.0	95.8	3240	
350	3600	S449SS 1)	575	SD100	1LE23214GA113AA3	41992	SD2	296.0	95.8	2890	
350	1800	S449SS	575	SD100	1LE23214GB213AA3	39003	SD2	312.0	96.2	3190	
350	1800	S449LS	575	SD100	1LE23214FB213AA3	39611	SD2	312.0	96.2	3190	
400	3600	S449SS 1)	575	SD100	1LE23214GA313AA3	52365	SD2	338.0	95.8	3065	
400	1800	S449SS	575	SD100	1LE23214GB313AA3	48649	SD2	363.0	96.2	3240	
400	1800	S449LS	575	SD100	1LE23214FB313AA3	49257	SD2	363.0	96.2	3240	

NEMA Premium® is a certification mark of the National Electrical Manufacturers Association.  
QuikMOD Delivery for stocked motors only.  
Shaded ratings indicated roller bearings.  
Stock availability subject to change.

1) CW Rotation facing opposite DE  
2) NEMA design A  
Prices and Specifications are subject to change without notice.  
DOE#CC032A



# SIMOTICS Severe duty motors

## SD100 (Cast iron frame)

NEMA Premium®  
Die cast aluminum rotor

### 575V 60Hz – C-Face Footless

HP	RPM	Frame	Voltage	Type	Part Number	List Price \$	Mult. Symb.	FL Amps	FL Nom Eff. (%)	Lbs	Stock
1	3600	143TC	575	SD100	1LE23211AA113GA3	664	SD2	1.1	82.5	75	
1	1800	143TC	575	SD100	1LE23211AB213GA3	627	SD2	1.1	85.5	76	
1	1200	145TC	575	SD100	1LE23211AC313GA3	753	SD2	1.3	82.5	77	
1	900	182TC	575	SD100	1LE23211CD113GA3	1032	SD2	1.6	74.0	106	
1.5	3600	143TC	575	SD100	1LE23211AA213GA3	664	SD2	1.6	84.0	70	
1.5	1800	145TC	575	SD100	1LE23211AB313GA3	685	SD2	1.7	86.5	80	
1.5	1200	182TC	575	SD100	1LE23211CC113GA3	879	SD2	1.9	87.5	113	
1.5	900	184TC	575	SD100	1LE23211CD313GA3	1146	SD2	2.4	77.0	119	
2	3600	145TC	575	SD100	1LE23211AA313GA3	776	SD2	2.0	85.5	72	
2	1800	145TC	575	SD100	1LE23211AB413GA3	745	SD2	2.2	86.5	80	
2	1200	184TC	575	SD100	1LE23211CC313GA3	967	SD2	2.6	88.5	122	
2	900	213TC	575	SD100	1LE23212AD113GA3	1307	SD2	2.6	82.5	143	
3	3600	182TC	575	SD100	1LE23211CA113GA3	903	SD2	3.0	86.5	107	
3	1800	182TC	575	SD100	1LE23211CB113GA3	858	SD2	3.2	89.5	118	
3	1200	213TC	575	SD100	1LE23212AC113GA3	1149	SD2	3.4	89.5	164	
3	900	215TC	575	SD100	1LE23212AD213GA3	1753	SD2	3.8	84.0	158	
5	3600	184TC	575	SD100	1LE23211CA313GA3	1087	SD2	4.8	88.5	118	
5	1800	184TC	575	SD100	1LE23211CB313GA3	980	SD2	5.2	89.5	124	
5	1200	215TC	575	SD100	1LE23212AC213GA3	1565	SD2	5.4	89.5	176	
5	900	254TC	575	SD100	1LE23212BD113GA3	2459	SD2	7.0	85.5	247	
7.5	3600	213TC	575	SD100	1LE23212AA113GA3	1253	SD2	7.0	89.5	160	
7.5	1800	213TC	575	SD100	1LE23212AB113GA3	1249	SD2	7.8	91.7	191	
7.5	1200	254TC	575	SD100	1LE23212BC113GA3	2032	SD2	8.0	91.0	292	
7.5	900	256TC	575	SD100	1LE23212BD213GA3	2810	SD2	10.5	85.5	279	
10	3600	215TC	575	SD100	1LE23212AA213GA3	1481	SD2	9.2	90.2	174	
10	1800	215TC	575	SD100	1LE23212AB213GA3	1519	SD2	10.0	91.7	197	
10	1200	256TC	575	SD100	1LE23212BC213GA3	2508	SD2	11.0	91.0	288	
15	3600	254TC	575	SD100	1LE23212BA113GA3	2033	SD2	14.0	91.0	287	
15	1800	254TC	575	SD100	1LE23212BB113GA3	2006	SD2	15.0	92.4	289	
20	3600	256TC	575	SD100	1LE23212BA213GA3	2474	SD2	18.0	91.0	323	
20	1800	256TC	575	SD100	1LE23212BB213GA3	2454	SD2	20.0	93.0	322	

NEMA Premium® is a certification mark of the National Electrical Manufacturers Association.  
QuikMOD Delivery for stocked motors only.

Stock availability subject to change.  
Prices and Specifications are subject to change without notice.  
DOE#CC032A

# Matched drive motor combination package

## Integrated drive systems – SINAMICS G120C and SIMOTICS SD100

### RS485 / USS / MODBUS – Standard foot-mounted

SIMOTICS SD100 – 460V				SINAMICS G120C		Drive and Motor Package	
HP	RPM	Frame	FLA	Frame Size	Amps	Part Number	List price \$
1	3600	143T	1.4	A	2.6	A6X30078882	1,299
1	1800	143T	1.4	A	2.6	A6X30078883	1,268
1.5	3600	143T	2.0	A	3.5	A6X30078915	1,322
1.5	1800	145T	2.1	A	3.5	A6X30078918	1,339
2	3600	145T	2.5	A	4.8	A6X30079102	1,473
2	1800	145T	2.8	A	4.8	A6X30079103	1,447
3	3600	182T	3.8	A	4.8	3A6X30079104	1,618
3	1800	182T	4.0	A	4.8	A6X30079105	1,721
5	3600	184T	6.0	B	7.5	A6X30079106	2,027
5	1800	184T	6.5	B	7.5	A6X30079107	1,937
7.5	3600	213T	8.8	B	10.6	A6X30079108	2,586
7.5	1800	213T	9.7	B	10.6	A6X30079109	2,582
10	3600	215T	11.5	C	14	A6X30079110	2,778
10	1800	215T	12.5	C	14	A6X30079131	3,251
15	3600	254T	17.5	C	21.3	A6X30079132	4,220
15	1800	254T	19.0	C	21.3	1A6X30079133	4,198
20	3600	256T	22.5	C	26.4	A6X30079134	4,592
20	1800	256T	25.0	C	26.4	A6X30079135	5,113

### Profibus – Standard foot-mounted

SIMOTICS SD100 – 460V				SINAMICS G120C		Drive and motor package	
HP	RPM	Frame	FLA	Frame size	Amps	Part number	List price \$
1	3600	143T	1.4	A	2.6	A6X30079206	1,378
1	1800	143T	1.4	A	2.6	A6X30079207	1,347
1.5	3600	143T	2.0	A	3.5	A6X30079208	1,401
1.5	1800	145T	2.1	A	3.5	A6X30079209	1,419
2	3600	145T	2.5	A	4.8	A6X30079210	1,546
2	1800	145T	2.8	A	4.8	A6X30079241	1,520
3	3600	182T	3.8	A	4.8	A6X30079242	1,697
3	1800	182T	4.0	A	4.8	A6X30079243	1,795
5	3600	184T	6.0	B	7.5	A6X30079244	2,107
5	1800	184T	6.5	B	7.5	A6X30079245	2,016
7.5	3600	213T	8.8	B	10.6	A6X30079246	2,659
7.5	1800	213T	9.7	B	10.6	A6X30079247	2,656
10	3600	215T	11.5	C	14	A6X30079248	2,851
10	1800	215T	12.5	C	14	A6X30079249	3,330
15	3600	254T	17.5	C	21.3	A6X30079250	4,294
15	1800	254T	19.0	C	21.3	A6X30079251	4,271
20	3600	256T	22.5	C	26.4	A6X30079252	4,666
20	1800	256T	25.0	C	26.4	A6X30079253	5,186

# Matched drive motor combination package

## Integrated drive systems – SINAMICS G120C and SIMOTICS SD100

### Profinet or EtherNet / IP – Standard foot-mounted

SIMOTICS SD100 – 460V				SINAMICS G120C		Drive and Motor Package	
HP	RPM	Frame	FLA	Frame Size	Amps	Part Number	List price \$
1	3600	143T	1.4	A	2.6	A6X30087441	1,378
1	1800	143T	1.4	A	2.6	A6X30087443	1,347
1.5	3600	143T	2.0	A	3.5	A6X30087444	1,401
1.5	1800	145T	2.1	A	3.5	A6X30087445	1,419
2	3600	145T	2.5	A	4.8	A6X30087446	1,546
2	1800	145T	2.8	A	4.8	A6X30087448	1,520
3	3600	182T	3.8	A	4.8	A6X30087449	1,697
3	1800	182T	4.0	A	4.8	A6X30087450	1,795
5	3600	184T	6.0	B	7.5	A6X30087461	2,107
5	1800	184T	6.5	B	7.5	A6X30086161	2,016
7.5	3600	213T	8.8	B	10.6	A6X30087462	2,659
7.5	1800	213T	9.7	B	10.6	A6X30087463	2,656
10	3600	215T	11.5	C	14	A6X30087464	2,851
10	1800	215T	12.5	C	14	A6X30087465	3,330
15	3600	254T	17.5	C	21.3	A6X30087466	4,294
15	1800	254T	19.0	C	21.3	A6X30087467	4,271
20	3600	256T	22.5	C	26.4	A6X30087468	4,666
20	1800	256T	25.0	C	26.4	A6X30087355	5,186

### RS485 / USS / MODBUS – C-Flanged

SIMOTICS SD100 – 460V				SINAMICS G120C		Drive and motor package	
HP	RPM	Frame	FLA	Frame size	Amps	Part number	List price \$
1	3600	143TC	1.4	A	2.6	A6X30079136	1,375
1	1800	143TC	1.4	A	2.6	A6X30079137	1,344
1.5	3600	143TC	2.0	A	3.5	A6X30079138	1,398
1.5	1800	145TC	2.1	A	3.5	A6X30079139	1,415
2	3600	145TC	2.5	A	4.8	A6X30079140	1,549
2	1800	145TC	2.8	A	4.8	A6X30079141	1,522
3	3600	182TC	3.8	A	4.8	A6X30079142	1,729
3	1800	182TC	4.0	A	4.8	A6X30079143	1,833
5	3600	184TC	6.0	B	7.5	A6X30079099	2,139
5	1800	184TC	6.5	B	7.5	A6X30079100	2,048
7.5	3600	213TC	8.8	B	10.6	A6X30079191	2,697
7.5	1800	213TC	9.7	B	10.6	A6X30079192	2,694
10	3600	215TC	11.5	C	14	A6X30079193	2,889
10	1800	215TC	12.5	C	14	A6X30079194	3,362
15	3600	254TC	17.5	C	21.3	A6X30079195	4,372
15	1800	254TC	19.0	C	21.3	A6X30079196	4,350
20	3600	256TC	22.5	C	26.4	A6X30079197	4,744
20	1800	256TC	25.0	C	26.4	A6X30079198	5,264

# Matched drive motor combination package

## Integrated drive systems – SINAMICS G120C and SIMOTICS SD100

### Profibus – C-Flanged

SIMOTICS SD100 – 460V				SINAMICS G120C		Drive and Motor Package	
HP	RPM	Frame	FLA	Frame Size	Amps	Part Number	List price \$
1	3600	143TC	1.4	A	2.6	A6X30079254	1,454
1	1800	143TC	1.4	A	2.6	A6X30079255	1,423
1.5	3600	143TC	2.0	A	3.5	A6X30079256	1,477
1.5	1800	145TC	2.1	A	3.5	A6X30079257	1,494
2	3600	145TC	2.5	A	4.8	A6X30079258	1,622
2	1800	145TC	2.8	A	4.8	A6X30079259	1,596
3	3600	182TC	3.8	A	4.8	A6X30079260	1,808
3	1800	182TC	4.0	A	4.8	A6X30079271	1,906
5	3600	184TC	6.0	B	7.5	A6X30079272	2,218
5	1800	184TC	6.5	B	7.5	A6X30079273	2,128
7.5	3600	213TC	8.8	B	10.6	A6X30079274	2,770
7.5	1800	213TC	9.7	B	10.6	A6X30079275	2,767
10	3600	215TC	11.5	C	14	A6X30079276	2,963
10	1800	215TC	12.5	C	14	A6X30079277	3,441
15	3600	254TC	17.5	C	21.3	A6X30079278	4,446
15	1800	254TC	19.0	C	21.3	A6X30079279	4,423
20	3600	256TC	22.5	C	26.4	A6X30079280	4,818
20	1800	256TC	25.0	C	26.4	A6X30079281	5,338

### Profinet or EtherNet / IP – C-Flanged

SIMOTICS SD100 – 460V				SINAMICS G120C		Drive and Motor Package	
HP	RPM	Frame	FLA	Frame Size	Amps	Part Number	List price \$
1	3600	143TC	1.4	A	2.6	A6X30087356	1,454
1	1800	143TC	1.4	A	2.6	A6X30087357	1,423
1.5	3600	143TC	2.0	A	3.5	A6X30087358	1,477
1.5	1800	145TC	2.1	A	3.5	A6X30087359	1,494
2	3600	145TC	2.5	A	4.8	A6X30087360	1,622
2	1800	145TC	2.8	A	4.8	A6X30087481	1,596
3	3600	182TC	3.8	A	4.8	A6X30087482	1,808
3	1800	182TC	4.0	A	4.8	A6X30087483	1,906
5	3600	184TC	6.0	B	7.5	A6X30087484	2,218
5	1800	184TC	6.5	B	7.5	A6X30087485	2,128
7.5	3600	213TC	8.8	B	10.6	A6X30087486	2,770
7.5	1800	213TC	9.7	B	10.6	A6X30087487	2,767
10	3600	215TC	11.5	C	14	A6X30087488	2,963
10	1800	215TC	12.5	C	14	A6X30087489	3,441
15	3600	254TC	17.5	C	21.3	A6X30087490	4,446
15	1800	254TC	19.0	C	21.3	A6X30087491	4,423
20	3600	256TC	22.5	C	26.4	A6X30087492	4,818
20	1800	256TC	25.0	C	26.4	A6X30087493	5,338

### Accessories

Part Name	Part Number	List price \$
SINAMICS G120 Intelligent Operator Panel	6SL3255-0AA00-4JA1	151

# SIMOTICS severe duty motors

## SD100 (Cast Iron frame)

## Spare Parts

### C-Face Bearing Housing

Frame	Motor Type	Part Number	Description		List Price \$
140TC	SD100	3MSP220074101	Cast iron	C-Face	155
180TC	SD100	3MSP221074101	Cast iron	C-Face	220
210TC	SD100	3MSP222074101	Cast iron	C-Face	297
250TC	SD100	ING351601	Cast iron	C-Face	452
280TC	SD100	3MSP710111201	Cast Iron	C-Face	542
320TC	SD100	3MSP720111201	Cast Iron	C-Face	632
360TC	SD100	3MSP730111201	Cast Iron	C-Face	941
400TC	SD100	51905869002	Cast Iron	C-Face	2063
440TC	SD100	51905923005	Cast Iron	C-Face	2836
440TSC	SD100	51905923002	Cast Iron	C-Face	2836

### D-Flange Bearing Housing

Frame	Motor Type	Part Number	Description		List Price \$
140TD	SD100	3MSP220074501	Cast iron	D-Flange	310
180TD	SD100	3MSP221074501	Cast iron	D-Flange	439
210TD	SD100	3MSP222074501	Cast iron	D-Flange	593
250TD	SD100	ING351901	Cast iron	D-Flange	903
280TD	SD100	3MSP710111501	Cast iron	D-Flange	1083
320TD	SD100	3MSP720111501	Cast iron	D-Flange	1676
360TD	SD100	3MSP730111501	Cast iron	D-Flange	2011
400TD	SD100	51905870002	Cast iron	D-Flange	2475
440TD	SD100	51905933004	Cast iron	D-Flange	2604
440TSD	SD100	51905933003	Cast iron	D-Flange	3223

### C-Face / InproSeal® Kits

Frame	Motor Type	Part Number	Description		List Price \$
140TC	SD100 841	US2:51602570501	Cast Iron	C-Face	245
180TC	SD100 841	US2:51602571501	Cast Iron	C-Face	336
210TC	SD100 841	US2:51602572501	Cast Iron	C-Face	465
250TC	SD100 841	US2:51602573501	Cast Iron	C-Face	529
280TC	SD100 841	US2:51010902029	Cast Iron	C-Face	1065
320TC	SD100 841	US2:51010902034	Cast Iron	C-Face	1751
360TC	SD100 841	US2:51010902039	Cast Iron	C-Face	2224
400TC	SD100 841	US2:51010902042	Cast Iron	C-Face	3639

### D-Flange / InproSeal® Kits

Frame	Motor Type	Part Number	Description		List Price \$
140TD	SD100 841	US2:51602590501	Cast Iron	D-Flange	400
180TD	SD100 841	US2:51602591501	Cast Iron	D-Flange	555
210TD	SD100 841	US2:51602592501	Cast Iron	D-Flange	761
250TD	SD100 841	US2:51602593501	Cast Iron	D-Flange	980
280TD-440TD	SD100 841	Please consult the factory			

# SIMOTICS severe duty motors

## SD100 (Cast Iron frame)

## Spare Parts

### Bearings

Frame	Motor Type	Part Number	Description		List Price \$
140T	SD100	51601983005	DE/ODE	Bearing, 6205 ZZ C3 25BC02JPP3	41
180T	SD100	51601983006	DE/ODE	Bearing, 6206 ZZ C3 30BC02JPP3	51
210T	SD100	51601983008	DE/ODE	Bearing, 6208 ZZ C3 40BC02JPP3	91
250T	SD100	51601984009	DE/ODE	Bearing, 6309 ZZ C3 45BC03JPP3	177
280T	SD100	51380865010	DE/ODE	Bearing, 6310 Z C3 50BC03JP3	212
280T	SD100	51380865010	DE/ODE	Bearing, 6310 Z C3 50BC03JP3	212
320T	SD100	51380865012	DE/ODE	Bearing, 6312 Z C3 60BC03JP3	273
360T	SD100	51380865014	DE/ODE	Bearing, 6314 Z C3 70BC03JP3	429
400T	SD100	51380865016	DE/ODE	Bearing, 6316 Z C3 80BC03JP3	680
B440T (TC/TD)	SD100	51380865018	DE	Bearing, 6318 Z C3 90BC03JP3	918
444T, 445T (NU)	SD100	51674954018	DE	Bearing, NU 318 C3 90RU03M0	1138
447T, 449T (NU)	SD100	51674954020	DE	Bearing, NU 320 C3 100RU03M0	1138
440T (TC/TD); 440T (NU)	SD100	51380865016	ODE	Bearing, 6316 Z C3 80BC03JP3	680
440TS (TSC/TSD)	SD100	51380865016	DE/ODE	Bearing, 6316 Z C3 80BC03JP3	680
S449LS (NU)	SD100	51674954020	DE	Bearing, NU 320 C3 100RU03M0	1138
S449LS (NU)	SD100	51601984015	ODE	Bearing, 6315 ZZ C3 75BC03JPP3	656
S449SS	SD100	51601984015	DE/ODE	Bearing, 6315 ZZ C3 75BC03JPP3	656

### Fan Housing

Frame	Motor Type	Part Number	Description		List Price \$
140T	SD100	3MSP220079201	Cast Iron	Fan Housing	116
180T	SD100	3MSP221079201	Cast Iron	Fan Housing	142
210T	SD100	3MSP222079201	Cast Iron	Fan Housing	255
250T	SD100	3MSP223079201	Cast Iron	Fan Housing	300
280T	SD100	3MSP710114901	Cast Iron	Fan Housing	498
320T	SD100	3MSP720114901	Cast Iron	Fan Housing	554
360T	SD100	3MSP730114901	Cast Iron	Fan Housing	670
360T	SD100	US2:3MSP730205901	Cast Iron	Grid	212
400T	SD100	51816819001	Cast Iron	Fan Housing	900
400T	SD100	51816825001	Cast Iron	Grid	212
440T	SD100	51817031002	Cast Iron	Fan housing (Drip Cov. ready)	1146
440T	SD100	51817046001	Cast Iron	Grid	263
140T	SD100	3MSP220080601	Cast Iron	Fan housing for Drip Cover	212
180T	SD100	3MSP221080601	Cast Iron	Fan housing for Drip Cover	260
210T	SD100	3MSP222080601	Cast Iron	Fan housing for Drip Cover	295
250T	SD100	3MSP223080601	Cast Iron	Fan housing for Drip Cover	472

# SIMOTICS severe duty motors

## SD100 (Cast Iron frame)

## Spare Parts

### Cooling Fan

Frame	Motor Type	Part Number	Description		List Price \$
140T	SD100	3MSG221079602	900	Cooling Fan	228
210T	SD100	3MSG223079603	900	Cooling Fan	268
250T	SD100	3MSG223079601	900	Cooling Fan	348
280T	SD100	51817700002	900	Cooling Fan	348
320T	SD100	51817700001	900	Cooling Fan	402
360T	SD100	51816861002	900	Cooling Fan	429
400T	SD100	51816861002	900	Cooling Fan	429
444T,445T, 447T	SD100	51816861001	900- 75HP to 150HP.	Cooling Fan	429
140T	SD100	3MSG221079604	1200	Cooling Fan	228
180T	SD100	3MSG221079602	1200	Cooling Fan	228
210T	SD100	3MSG223079603	1200	Cooling Fan	268
250T	SD100	3MSG223079607	1200	Cooling Fan	348
280T	SD100	51817700005	1200	Cooling Fan	348
320T	SD100	51817700003	1200	Cooling Fan	402
360T	SD100	51816861004	1200	Cooling Fan	429
400T	SD100	51816861002	1200	Cooling Fan	429
444T, 445T	SD100	51816861002	1200	Cooling Fan	429
447T	SD100	51516861003	1200	Cooling Fan	429
449T	SD100	51816861002	1200 - 200HP	Cooling Fan	429
449T	SD100	51771077001	1200 - 250HP	Cooling Fan	429
140T	SD100	3MSG221079604	1800	Cooling Fan	228
180T	SD100	3MSG221079602	1800	Cooling Fan	228
210T	SD100	3MSG223079607	1800	Cooling Fan	348
250T	SD100	3MSG223079603	1800	Cooling Fan	268
280T	SD100	51817700006	1800	Cooling Fan	348
320T	SD100	51817700005	1800	Cooling Fan	348
360T	SD100	51816861005	1800	Cooling Fan	429
400T	SD100	51816861004	1800	Cooling Fan	429
444T, 445T, 447T, 449T	SD100	51816861003	1800	Cooling Fan	429
449T	SD100	51771077001	1800 - 300HP	Cooling Fan	429

# SIMOTICS severe duty motors

## SD100 (Cast Iron frame)

## Spare Parts

### Cooling Fan

Frame	Motor Type	Part Number	Description		List Price \$
140T	SD100	3MSG221079606	3600	Cooling Fan	148
180T	SD100	3MSG221079604	3600	Cooling Fan	228
210T	SD100	3MSG223079610	3600	Cooling Fan	268
250T	SD100	3MSG223079610	3600	Cooling Fan	268
280T	SD100	51817700007	3600	Cooling Fan	281
320T	SD100	51817700006	3600	Cooling Fan	348
364T	SD100	51817700006	3600 - 60HP	Cooling Fan	348
365T	SD100	51817700003	3600 - 75HP	Cooling Fan	402
400T	SD100	51816861005	3600	Cooling Fan	429
444T, 445T	SD100	51816861005	3600 - 125HP; 150HP	Cooling Fan	429
447T	SD100	51816861004	3600	Cooling Fan	429
449T	SD100	51816861003	3600 - 300HP	Cooling Fan	429

### Drip Cover

Frame	Motor Type	Part Number	Description		List Price \$
140T	SD100	3MSP223080701	Cast Iron	Drip Cover	174
180T	SD100	3MSP223080702	Cast Iron	Drip Cover	207
210T	SD100	3MSP223080703	Cast Iron	Drip Cover	223
250T	SD100	3MSP223080704	Cast Iron	Drip Cover	249
280T	SD100	51770675005	Cast Iron	Drip Cover	260
320T	SD100	51770675004	Cast Iron	Drip Cover	260
360T	SD100	51770675003	Cast Iron	Drip Cover	276
400T	SD100	51770675001	Cast Iron	Drip Cover	276
440T	SD100	51770675002	Cast Iron	Drip Cover	287

### Main Terminal Box

Frame	Motor Type	Part Number	Description		List Price \$
140T	SD100	3MSG221081501	Cast Iron	Conduit Box	148
180T	SD100	3MSG221081501	Cast Iron	Conduit Box	148
210T	SD100	3MSG223081501	Cast Iron	Conduit Box	158
250T	SD100	3MSG223081502	Cast Iron	Conduit Box	185
280T	SD100	67372007000500	Cast Iron	Conduit Box	217
320T	SD100	67372009000500	Cast Iron	Conduit Box	314
360T	SD100	67372011000500	Cast Iron	Conduit Box	554
400T	SD100	67372011000500	Cast Iron	Conduit Box	554
444T; 445T; 447T	SD100	67372011000500	Cast Iron	Conduit Box	554
449T	SD100	3MSG700088601	Cast Iron	Conduit Box	554
S449	SD100	3MSG700088601	Cast Iron	Conduit Box	554



# SIMOTICS Severe duty motors

## SD100 IEEE841

**SD100 IEEE841** severe duty/IEEE 841 TEFC motors are available in two configurations which exceed NEMA Premium® efficiency with our exclusive, leading-edge, die cast copper rotor design (143T-256T) or meet NEMA Premium® efficiency with our die cast aluminum rotor design (143T-S449). They also exceed IEEE Std 841™-2009 standards for high performance, rugged construction and long service life, for the most demanding industrial applications. They are ideal for use in chemical processing, mining, foundry, pulp and paper, waste management and petro/chemical applications.



HP range	Frame Size	<b>1-400 HP</b> 143T-S449
Efficiency	NEMA Premium® Plus NEMA Premium®	143T-256T 143T-S449
Voltage	460 V 575 V	<b>3 phase 60Hz</b> 1-400 HP 1-400 HP
Insulation 1)	Insulation Class F Service Factor @ 40°C Temperature rise (Sine wave)	<b>NEMA design B</b> 2) NEMA MG1 Part 31 1.15 Class B @ 1.0SF Class F @ 1.15SF
Frame	8 hole feet Condensation drains High strength carbon steel shaft Bearing Isolator 4) – IP55	<b>Cast iron</b> Casted T Drains C1045 DE & NDE Two on lowest point in frame
Stator/Windings rotor	Stator Rotor, die cast copper Rotor, die cast aluminum	Random wound copper 143T-256T 143T-S449
Conduit box	Cast iron Neoprene gasket	<b>Oversized</b> 143T-S449 143T-S449
Bearings	Double shielded Single shielded Bearing housing Grease Inlet / relief fittings	S449 143T-449T Cast iron Polyurea base Alemite / pressure (auto) Bearing caps
Fan and fan cover	Cast iron Bidirectional fan  Uni-directional fan	143T-S449 143T-256T Bronze S449 4 Pole - 300HP 2 & 4 Pole 350-400HP Polypropylene
Hardware	Nameplate Lifting eyebolt Paint	<b>Rust resistant</b> Zinc plated Stainless steel embossed Included Alkyd Modified -RAL7030
Inverter duty	Variable torque 20:1 Constant torque 20:1 Constant torque 10:1 Constant torque 6:1 Constant torque 4:1	143T-S449 4-Pole 143T-365T Al & Cu rotor Cu rotor 143T-256T & 4 Pole Al rotor 404T-445T 3) 4 Pole Al rotor 447T 3) 2, 6, 8 Pole Al rotor 143T-449T
Hazardous classification	Service factor 1.0  Service factor 1.15	CSA – 143-S449 (40°C) Class I, Division 2, T3 temperature code 449-S449 T2D NA

NEMA Premium® is a certification mark of the National Electrical Manufacturers Association.

1) Standard voltage for stock items, see option selection and pricing section for additional voltages.

2) NEMA design A: 250HP and 300HP, 4 and 6 pole.

3) Available as option (M05, VSD fan).

4) Improv/Seal®.

# SIMOTICS Severe duty motors

## SD100 IEEE841 (Cast iron frame)

## NEMA Premium® Die cast aluminum rotor

### 460V 60Hz – Foot mounted

HP	RPM	Frame	Voltage	Type	Part Number	List Price \$	Mult. Symb.	FL Amps	FL Nom Eff. (%)	Lbs	Stock
1	3600	143T	460	SD100 IEEE841	1LE24211AA112AA3	787	SD3	1.4	82.5	75	✓
1	1800	143T	460	SD100 IEEE841	1LE24211AB212AA3	762	SD3	1.4	85.5	76	✓
1	1200	145T	460	SD100 IEEE841	1LE24211AC312AA3	898	SD3	1.6	82.5	77	✓
1	900	182T	460	SD100 IEEE841	1LE24211CD112AA3	1457	SD3	2.1	81.5	106	✓
1.5	3600	143T	460	SD100 IEEE841	1LE24211AA212AA3	788	SD3	2.0	84.0	70	✓
1.5	1800	145T	460	SD100 IEEE841	1LE24211AB312AA3	822	SD3	2.1	86.5	80	✓
1.5	1200	182T	460	SD100 IEEE841	1LE24211CC112AA3	1006	SD3	2.4	87.5	113	✓
1.5	900	184T	460	SD100 IEEE841	1LE24211CD312AA3	1719	SD3	3.3	82.5	119	✓
2	3600	145T	460	SD100 IEEE841	1LE24211AA312AA3	904	SD3	2.5	85.5	72	✓
2	1800	145T	460	SD100 IEEE841	1LE24211AB412AA3	878	SD3	2.8	86.5	80	✓
2	1200	184T	460	SD100 IEEE841	1LE24211CC312AA3	1071	SD3	3.2	88.5	122	✓
2	900	213T	460	SD100 IEEE841	1LE24212AD112AA3	2023	SD3	3.3	84.0	145	✓
3	3600	182T	460	SD100 IEEE841	1LE24211CA112AA3	947	SD3	3.8	86.5	107	✓
3	1800	182T	460	SD100 IEEE841	1LE24211CB112AA3	907	SD3	4.0	89.5	118	✓
3	1200	213T	460	SD100 IEEE841	1LE24212AC112AA3	1350	SD3	4.3	89.5	164	✓
3	900	215T	460	SD100 IEEE841	1LE24212AD212AA3	2565	SD3	4.8	85.5	160	✓
5	3600	184T	460	SD100 IEEE841	1LE24211CA312AA3	1159	SD3	6.0	88.5	118	✓
5	1800	184T	460	SD100 IEEE841	1LE24211CB312AA3	1039	SD3	6.5	89.5	124	✓
5	1200	215T	460	SD100 IEEE841	1LE24212AC212AA3	1787	SD3	6.7	89.5	176	✓
5	900	254T	460	SD100 IEEE841	1LE24212BD112AA3	3428	SD3	8.8	86.5	247	✓
7.5	3600	213T	460	SD100 IEEE841	1LE24212AA112AA3	1421	SD3	8.8	89.5	160	✓
7.5	1800	213T	460	SD100 IEEE841	1LE24212AB112AA3	1380	SD3	9.7	91.7	191	✓
7.5	1200	254T	460	SD100 IEEE841	1LE24212BC112AA3	2284	SD3	10.0	91.0	292	✓
7.5	900	256T	460	SD100 IEEE841	1LE24212BD212AA3	4297	SD3	13.0	87.5	279	✓
10	3600	215T	460	SD100 IEEE841	1LE24212AA212AA3	1634	SD3	11.5	90.2	174	✓
10	1800	215T	460	SD100 IEEE841	1LE24212AB212AA3	1652	SD3	12.5	91.7	197	✓
10	1200	256T	460	SD100 IEEE841	1LE24212BC212AA3	2840	SD3	13.5	91.0	288	✓
10	900	284T	460	SD100 IEEE841	1LE24212CD112AA3	4398	SD3	15.0	90.2	362	✓
15	3600	254T	460	SD100 IEEE841	1LE24212BA112AA3	2216	SD3	17.5	91.0	287	✓
15	1800	254T	460	SD100 IEEE841	1LE24212BB112AA3	2177	SD3	19.0	92.4	289	✓
15	1200	284T	460	SD100 IEEE841	1LE24212CC112AA3	3541	SD3	21.0	91.7	400	✓
15	900	286T	460	SD100 IEEE841	1LE24212CD212AA3	5623	SD3	23.0	90.2	420	✓
20	3600	256T	460	SD100 IEEE841	1LE24212BA212AA3	2720	SD3	22.5	91.0	323	✓
20	1800	256T	460	SD100 IEEE841	1LE24212BB212AA3	2806	SD3	25.0	93.0	322	✓
20	1200	286T	460	SD100 IEEE841	1LE24212CC212AA3	4316	SD3	27.0	91.7	465	✓
20	900	324T	460	SD100 IEEE841	1LE24213AD112AA3	6875	SD3	31.0	91.0	570	✓

NEMA Premium® is a certification mark of the National Electrical Manufacturers Association.  
QuikMOD Delivery for stocked motors only.  
Stock availability subject to change.

900 RPM Motors meet or exceed EPart efficiency.  
Prices and Specifications are subject to change without notice.  
DOE#CC032A

# SIMOTICS Severe duty motors

## SD100 IEEE841 (Cast iron frame)

NEMA Premium®  
Die cast aluminum rotor

460V 60Hz – Foot mounted

HP	RPM	Frame	Voltage	Type	Part Number	List Price \$	Mult. Symb.	FL Amps	FL Nom Eff. (%)	Lbs	Stock
25	3600	284TS	460	SD100 IEEE841	1LE24212DA112AA3	3231	SD3	29.0	91.7	415	✓
25	1800	284T	460	SD100 IEEE841	1LE24212CB112AA3	3086	SD3	30.0	93.6	445	✓
25	1800	284TS	460	SD100 IEEE841	1LE24212DB112AA3	3086	SD3	30.0	93.6	445	✓
25	1200	324T	460	SD100 IEEE841	1LE24213AC112AA3	5227	SD3	33.0	93.0	640	✓
25	900	326T	460	SD100 IEEE841	1LE24213AD212AA3	7986	SD3	41.0	90.2	582	✓
30	3600	286TS	460	SD100 IEEE841	1LE24212DA212AA3	3775	SD3	34.0	91.7	430	✓
30	1800	286T	460	SD100 IEEE841	1LE24212CB212AA3	3588	SD3	35.0	93.6	465	✓
30	1800	286TS	460	SD100 IEEE841	1LE24212DB212AA3	3588	SD3	35.0	93.6	465	✓
30	1200	326T	460	SD100 IEEE841	1LE24213AC212AA3	6022	SD3	39.0	93.0	675	✓
30	900	364T	460	SD100 IEEE841	1LE24213CD112AA3	9453	SD3	47.0	91.7	740	✓
40	3600	324TS	460	SD100 IEEE841	1LE24213BA112AA3	4978	SD3	45.0	93.6	575	✓
40	1800	324T	460	SD100 IEEE841	1LE24213AB112AA3	4767	SD3	46.0	94.1	666	✓
40	1800	324TS	460	SD100 IEEE841	1LE24213BB112AA3	4767	SD3	46.0	94.1	666	✓
40	1200	364T	460	SD100 IEEE841	1LE24213CC112AA3	8160	SD3	49.0	94.1	863	✓
40	900	365T	460	SD100 IEEE841	1LE24213CD212AA3	11428	SD3	63.0	91.7	840	✓
50	3600	326TS	460	SD100 IEEE841	1LE24213BA212AA3	6328	SD3	55.0	93.6	610	✓
50	1800	326T	460	SD100 IEEE841	1LE24213AB212AA3	5803	SD3	58.0	94.5	700	✓
50	1800	326TS	460	SD100 IEEE841	1LE24213BB212AA3	5803	SD3	58.0	94.5	700	✓
50	1200	365T	460	SD100 IEEE841	1LE24213CC212AA3	9287	SD3	62.0	94.1	900	✓
50	900	404T	460	SD100 IEEE841	1LE24214AD112AA3	13302	SD3	67.0	92.4	1116	✓
60	3600	364TS	460	SD100 IEEE841	1LE24213DA112AA3	8398	SD3	68.0	93.6	717	✓
60	1800	364T	460	SD100 IEEE841	1LE24213CB112AA3	8253	SD3	68.0	95.0	930	✓
60	1800	364TS	460	SD100 IEEE841	1LE24213DB112AA3	8253	SD3	68.0	95.0	930	✓
60	1200	404T	460	SD100 IEEE841	1LE24214AC112AA3	10599	SD3	74.0	94.5	1100	✓
60	900	405T	460	SD100 IEEE841	1LE24214AD212AA3	14927	SD3	78.0	92.4	1182	✓
75	3600	365TS	460	SD100 IEEE841	1LE24213DA212AA3	10545	SD3	86.0	94.1	815	✓
75	1800	365T	460	SD100 IEEE841	1LE24213CB212AA3	10279	SD3	85.0	95.4	1000	✓
75	1800	365TS	460	SD100 IEEE841	1LE24213DB212AA3	10279	SD3	85.0	95.4	1000	✓
75	1200	405T	460	SD100 IEEE841	1LE24214AC212AA3	12368	SD3	93.0	94.5	1150	✓
75	900	444T	460	SD100 IEEE841	1LE24214CD112AA3	20456	SD3	94.0	93.6	1525	✓
75	900	444TS	460	SD100 IEEE841	1LE24214DD112AA3	19848	SD3	94.0	93.6	1525	
75	900	444T	460	SD100 IEEE841	1LE24214ED112AA3	19848	SD3	94.0	93.6	1525	

NEMA Premium® is a certification mark of the National Electrical Manufacturers Association.  
QuikMOD Delivery for stocked motors only.  
Shaded ratings indicated roller bearings.

Stock availability subject to change.  
900 RPM Motors meet or exceed EPA efficiency.  
Prices and Specifications are subject to change without notice.  
DOE#CC032A

# SIMOTICS Severe duty motors

## SD100 IEEE841 (Cast iron frame)

NEMA Premium®  
Die cast aluminum rotor

### 460V 60Hz – Foot mounted

HP	RPM	Frame	Voltage	Type	Part Number	List Price \$	Mult. Symb.	FL Amps	FL Nom Eff. (%)	Lbs	Stock
100	3600	405TS	460	SD100 IEEE841	1LE24214BA212AA3	14007	SD3	108.0	94.1	1100	✓
100	1800	405T	460	SD100 IEEE841	1LE24214AB212AA3	12699	SD3	113.0	95.4	1160	✓
100	1800	405TS	460	SD100 IEEE841	1LE24214BB212AA3	12699	SD3	113.0	95.4	1160	✓
100	1200	444T	460	SD100 IEEE841	1LE24214CC112AA3	17662	SD3	117.0	95.0	1545	✓
100	1200	444TS	460	SD100 IEEE841	1LE24214DC112AA3	17054	SD3	117.0	95.0	1545	
100	1200	444T	460	SD100 IEEE841	1LE24214EC112AA3	17054	SD3	117.0	95.0	1545	✓
100	900	445T	460	SD100 IEEE841	1LE24214CD212AA3	24930	SD3	123.0	94.1	1697	✓
100	900	445TS	460	SD100 IEEE841	1LE24214DD212AA3	24322	SD3	123.0	94.1	1697	
100	900	445T	460	SD100 IEEE841	1LE24214ED212AA3	24322	SD3	123.0	94.1	1697	
125	3600	444TS	460	SD100 IEEE841	1LE24214DA112AA3	17992	SD3	140.0	95.0	1454	✓
125	1800	444T	460	SD100 IEEE841	1LE24214CB112AA3	17178	SD3	143.0	95.4	1600	✓
125	1800	444TS	460	SD100 IEEE841	1LE24214DB112AA3	16570	SD3	143.0	95.4	1600	✓
125	1800	444T	460	SD100 IEEE841	1LE24214EB112AA3	16570	SD3	143.0	95.4	1600	✓
125	1200	445T	460	SD100 IEEE841	1LE24214CC212AA3	21185	SD3	144.0	95.0	1720	✓
125	1200	445TS	460	SD100 IEEE841	1LE24214DC212AA3	20577	SD3	144.0	95.0	1720	✓
125	1200	445T	460	SD100 IEEE841	1LE24214EC212AA3	20577	SD3	144.0	95.0	1720	✓
125	900	447T	460	SD100 IEEE841	1LE24214CD312AA3	25592	SD3	152.0	94.1	2018	✓
125	900	447TS	460	SD100 IEEE841	1LE24214DD312AA3	24984	SD3	152.0	94.1	2018	
125	900	447T	460	SD100 IEEE841	1LE24214ED312AA3	24984	SD3	152.0	94.1	2018	
150	3600	445TS	460	SD100 IEEE841	1LE24214DA212AA3	21035	SD3	162.0	95.0	1615	✓
150	1800	445T	460	SD100 IEEE841	1LE24214CB212AA3	19350	SD3	170.0	95.8	1710	✓
150	1800	445TS	460	SD100 IEEE841	1LE24214DB212AA3	18742	SD3	170.0	95.8	1710	✓
150	1800	445T	460	SD100 IEEE841	1LE24214EB212AA3	18742	SD3	170.0	95.8	1710	✓
150	1200	447T	460	SD100 IEEE841	1LE24214CC312AA3	23210	SD3	172.0	95.8	1995	✓
150	1200	447TS	460	SD100 IEEE841	1LE24214DC312AA3	22602	SD3	172.0	95.8	1995	✓
150	1200	447T	460	SD100 IEEE841	1LE24214EC312AA3	22602	SD3	172.0	95.8	1995	✓
150	900	449T	460	SD100 IEEE841	1LE24214CD512AA3	32553	SD3	180.0	94.1	2480	✓
150	900	449TS	460	SD100 IEEE841	1LE24214DD512AA3	31945	SD3	180.0	94.1	2480	
150	900	449T	460	SD100 IEEE841	1LE24214ED512AA3	31945	SD3	180.0	94.1	2480	
200	3600	447TS	460	SD100 IEEE841	1LE24214DA312AA3	26380	SD3	220.0	95.4	1890	✓
200	1800	447T	460	SD100 IEEE841	1LE24214CB312AA3	23404	SD3	226.0	96.2	2035	✓
200	1800	447TS	460	SD100 IEEE841	1LE24214DB312AA3	22796	SD3	226.0	96.2	2035	✓
200	1800	447T	460	SD100 IEEE841	1LE24214EB312AA3	22796	SD3	226.0	96.2	2035	✓
200	1200	449T	460	SD100 IEEE841	1LE24214CC512AA3	28021	SD3	227.0	95.8	2425	✓
200	1200	449TS	460	SD100 IEEE841	1LE24214DC512AA3	27413	SD3	227.0	95.8	2425	
200	1200	449T	460	SD100 IEEE841	1LE24214EC512AA3	27413	SD3	227.0	95.8	2425	✓
200	900	S449LS	460	SD100 IEEE841	1LE24214FD112AA3	46134	SD3	240.0	94.5	3200	

NEMA Premium® is a certification mark of the National Electrical Manufacturers Association.  
QuikMOD Delivery for stocked motors only.  
Shaded ratings indicated roller bearings.

Stock availability subject to change.  
900 RPM Motors meet or exceed EPA efficiency.  
Prices and Specifications are subject to change without notice.  
DOE#CC032A

# SIMOTICS Severe duty motors

## SD100 IEEE841 (Cast iron frame)

NEMA Premium®  
Die cast aluminum rotor

### 460V 60Hz – Foot mounted

HP	RPM	Frame	Voltage	Type	Part Number	List Price \$	Mult. Symb.	FL Amps	FL Nom Eff. (%)	Lbs	Stock
250	3600	449TS	460	SD100 IEEE841	1LE24214DA512AA3	<b>33581</b>	SD3	261.0	95.8	2272	✓
250	1800	449T <sup>2)</sup>	460	SD100 IEEE841	1LE24214CB512AA3	<b>29498</b>	SD3	278.0	96.2	2425	✓
250	1800	449TS <sup>2)</sup>	460	SD100 IEEE841	1LE24214DB512AA3	<b>28890</b>	SD3	278.0	96.2	2425	
250	1800	449T <sup>2)</sup>	460	SD100 IEEE841	1LE24214EB512AA3	<b>28890</b>	SD3	278.0	96.2	2425	✓
250	1200	449T <sup>2)</sup>	460	SD100 IEEE841	1LE24214CC612AA3	<b>30733</b>	SD3	281.0	95.8	2390	✓
250	1200	449TS <sup>2)</sup>	460	SD100 IEEE841	1LE24214DC612AA3	<b>30125</b>	SD3	281.0	95.8	2390	
250	1200	449T <sup>2)</sup>	460	SD100 IEEE841	1LE24214EC612AA3	<b>30125</b>	SD3	281.0	95.8	2390	
250	900	S449LS	460	SD100 IEEE841	1LE24214FD212AA3	<b>50486</b>	SD3	303	94.5	3220	
300	3600	449TS	460	SD100 IEEE841	1LE24214DA612AA3	<b>42635</b>	SD3	312.0	95.8	2200	✓
300	1800	S449LS <sup>1)</sup>	460	SD100 IEEE841	1LE24214FB112AA3	<b>39785</b>	SD3	334.0	96.2	3130	
300	1800	S449SS <sup>1)</sup>	460	SD100 IEEE841	1LE24214GB112AA3	<b>39177</b>	SD3	334.0	96.2	3130	
300	1200	S449LS <sup>2)</sup>	460	SD100 IEEE841	1LE24214FC112AA3	<b>52950</b>	SD3	340.0	95.8	3240	✓
300	1200	S449SS <sup>2)</sup>	460	SD100 IEEE841	1LE24214GC112AA3	<b>52342</b>	SD3	340.0	95.8	3240	
350	3600	S449SS <sup>1)</sup>	460	SD100 IEEE841	1LE24214GA112AA3	<b>51006</b>	SD3	370.0	95.8	2890	✓
350	1800	S449LS <sup>1)</sup>	460	SD100 IEEE841	1LE24214FB212AA3	<b>47844</b>	SD3	390.0	96.2	3190	
350	1800	S449SS <sup>1)</sup>	460	SD100 IEEE841	1LE24214GB212AA3	<b>47236</b>	SD3	390.0	96.2	3190	
400	3600	S449SS <sup>1)</sup>	460	SD100 IEEE841	1LE24214GA312AA3	<b>57207</b>	SD3	422.0	95.8	3065	✓
400	1800	S449LS <sup>1)</sup>	460	SD100 IEEE841	1LE24214FB312AA3	<b>53594</b>	SD3	454.0	96.2	3240	
400	1800	S449SS <sup>1)</sup>	460	SD100 IEEE841	1LE24214GB312AA3	<b>52986</b>	SD3	454.0	96.2	3240	✓

NEMA Premium® is a certification mark of the National Electrical Manufacturers Association.  
QuikMOD Delivery for stocked motors only.  
Shaded ratings indicated roller bearings.  
Stock availability subject to change.

1) CW Rotation facing opposite DE  
2) NEMA design A  
900 RPM Motors meet or exceed EPA efficiency.  
Prices and Specifications are subject to change without notice.  
DOE#CC032A

# SIMOTICS Severe duty motors

## SD100 IEEE841 (Cast iron frame)

NEMA Premium®  
Die cast aluminum rotor

### 460V 60Hz – C-face footless

HP	RPM	Frame	Voltage	Type	Part Number	List Price \$	Mult. Symb.	FL Amps	FL Nom Eff. (%)	Lbs	Stock
1	3600	143TC	460	SD100 IEEE841	1LE24211AA112GA3	<b>877</b>	SD3	1.4	82.5	75	✓
1	1800	143TC	460	SD100 IEEE841	1LE24211AB212GA3	<b>852</b>	SD3	1.4	85.5	76	✓
1.5	3600	143TC	460	SD100 IEEE841	1LE24211AA212GA3	<b>878</b>	SD3	2.0	84.0	70	✓
1.5	1800	145TC	460	SD100 IEEE841	1LE24211AB312GA3	<b>912</b>	SD3	2.1	86.5	80	✓
2	3600	145TC	460	SD100 IEEE841	1LE24211AA312GA3	<b>994</b>	SD3	2.5	85.5	72	✓
2	1800	145TC	460	SD100 IEEE841	1LE24211AB412GA3	<b>968</b>	SD3	2.8	86.5	80	✓
3	3600	182TC	460	SD100 IEEE841	1LE24211CA112GA3	<b>1079</b>	SD3	3.8	86.5	107	✓
3	1800	182TC	460	SD100 IEEE841	1LE24211CB112GA3	<b>1039</b>	SD3	4.0	89.5	118	✓
5	3600	184TC	460	SD100 IEEE841	1LE24211CA312GA3	<b>1291</b>	SD3	6.0	88.5	118	✓
5	1800	184TC	460	SD100 IEEE841	1LE24211CB312GA3	<b>1171</b>	SD3	6.5	89.5	124	✓
7.5	3600	213TC	460	SD100 IEEE841	1LE24212AA112GA3	<b>1553</b>	SD3	8.8	89.5	160	✓
7.5	1800	213TC	460	SD100 IEEE841	1LE24212AB112GA3	<b>1512</b>	SD3	9.7	91.7	191	✓
10	3600	215TC	460	SD100 IEEE841	1LE24212AA212GA3	<b>1766</b>	SD3	11.5	90.2	174	✓
10	1800	215TC	460	SD100 IEEE841	1LE24212AB212GA3	<b>1784</b>	SD3	12.5	91.7	197	✓
15	3600	254TC	460	SD100 IEEE841	1LE24212BA112GA3	<b>2396</b>	SD3	17.5	91.0	287	✓
15	1800	254TC	460	SD100 IEEE841	1LE24212BB112GA3	<b>2357</b>	SD3	19.0	92.4	289	✓
20	3600	256TC	460	SD100 IEEE841	1LE24212BA212GA3	<b>2900</b>	SD3	22.5	91.0	323	✓
20	1800	256TC	460	SD100 IEEE841	1LE24212BB212GA3	<b>2986</b>	SD3	25.0	93.0	322	✓

NEMA Premium® is a certification mark of the National Electrical Manufacturers Association.  
QuikMOD Delivery for stocked motors only.

Stock availability subject to change.  
Prices and Specifications are subject to change without notice.  
DOE#CC032A

# SIMOTICS Severe duty motors

## SD100 IEEE841 (Cast iron frame)

NEMA Premium®  
Die cast copper rotor

460V 60Hz – Foot mounted

HP	RPM	Frame	Voltage	Type	Part Number	List Price \$	Mult. Symb.	FL Amps	FL Nom Eff. (%)	Lbs	Stock
1	1800	143T	460	SD100 IEEE841	1LE24111AB212AA3	886	SD3	1.5	86.5	81	✓
1	1200	145T	460	SD100 IEEE841	1LE24111AC312AA3	1044	SD3	1.6	84.0	81	✓
1.5	3600	143T	460	SD100 IEEE841	1LE24111AA212AA3	917	SD3	1.9	87.5	80	✓
1.5	1800	145T	460	SD100 IEEE841	1LE24111AB312AA3	955	SD3	2.1	87.5	81	✓
2	3600	145T	460	SD100 IEEE841	1LE24111AA312AA3	1051	SD3	2.6	88.5	80	✓
2	1800	145T	460	SD100 IEEE841	1LE24111AB412AA3	1023	SD3	2.8	87.5	81	✓
3	3600	182T	460	SD100 IEEE841	1LE24111CA112AA3	1102	SD3	3.8	89.5	121	✓
3	1800	182T	460	SD100 IEEE841	1LE24111CB112AA3	1056	SD3	4.0	90.2	125	✓
3	1200	213T	460	SD100 IEEE841	1LE24112AC112AA3	1571	SD3	4.3	90.2	170	✓
5	3600	184T	460	SD100 IEEE841	1LE24111CA312AA3	1348	SD3	6.2	90.2	123	✓
5	1800	184T	460	SD100 IEEE841	1LE24111CB312AA3	1209	SD3	6.7	90.2	129	✓
5	1200	215T	460	SD100 IEEE841	1LE24112AC212AA3	2077	SD3	7.0	90.2	184	✓
7.5	3600	213T	460	SD100 IEEE841	1LE24112AA112AA3	1653	SD3	8.5	91.7	191	✓
7.5	1800	213T	460	SD100 IEEE841	1LE24112AB112AA3	1605	SD3	9.5	92.4	198	✓
7.5	1200	254T	460	SD100 IEEE841	1LE24112BC112AA3	2656	SD3	10.5	92.4	336	✓
10	3600	215T	460	SD100 IEEE841	1LE24112AA212AA3	1900	SD3	11.5	91.7	196	✓
10	1800	215T	460	SD100 IEEE841	1LE24112AB212AA3	1922	SD3	12.5	92.4	206	✓
10	1200	256T	460	SD100 IEEE841	1LE24112BC212AA3	3305	SD3	13.5	92.4	337	✓
15	3600	254T	460	SD100 IEEE841	1LE24112BA112AA3	2577	SD3	17.0	92.4	309	✓
15	1800	254T	460	SD100 IEEE841	1LE24112BB112AA3	2531	SD3	19.0	93.0	297	✓
20	3600	256T	460	SD100 IEEE841	1LE24112BA212AA3	3164	SD3	22.5	92.4	333	✓
20	1800	256T	460	SD100 IEEE841	1LE24112BB212AA3	3263	SD3	25.0	93.6	341	✓

NEMA Premium® is a certification mark of the National Electrical Manufacturers Association.  
QuikMOD Delivery for stocked motors only.

Stock availability subject to change.  
Prices and Specifications are subject to change without notice.  
DOE#CC032A

# SIMOTICS Severe duty motors

## SD100 IEEE841 (Cast iron frame)

NEMA Premium®  
Die cast aluminum rotor

### 575V 60Hz – Foot mounted

HP	RPM	Frame	Voltage	Type	Part Number	List Price \$	Mult. Symb.	FL Amps	FL Nom Eff. (%)	Lbs	Stock
1	3600	143T	575	SD100 IEEE841	1LE24211AA113AA3	787	SD3	1.1	82.5	75	✓
1	1800	143T	575	SD100 IEEE841	1LE24211AB213AA3	762	SD3	1.1	85.5	76	✓
1	1200	145T	575	SD100 IEEE841	1LE24211AC313AA3	898	SD3	1.3	82.5	77	✓
1	900	182T	575	SD100 IEEE841	1LE24211CD113AA3	1457	SD3	1.7	81.5	106	
1.5	3600	143T	575	SD100 IEEE841	1LE24211AA213AA3	788	SD3	1.6	84.0	70	✓
1.5	1800	145T	575	SD100 IEEE841	1LE24211AB313AA3	822	SD3	1.7	86.5	80	✓
1.5	1200	182T	575	SD100 IEEE841	1LE24211CC113AA3	1006	SD3	1.9	87.5	113	✓
1.5	900	184T	575	SD100 IEEE841	1LE24211CD313AA3	1719	SD3	2.4	82.5	119	
2	3600	145T	575	SD100 IEEE841	1LE24211AA313AA3	904	SD3	2.0	85.5	72	✓
2	1800	145T	575	SD100 IEEE841	1LE24211AB413AA3	878	SD3	2.2	86.5	80	✓
2	1200	184T	575	SD100 IEEE841	1LE24211CC313AA3	1071	SD3	2.6	88.5	122	✓
2	900	213T	575	SD100 IEEE841	1LE24212AD113AA3	2023	SD3	2.6	84.0	145	
3	3600	182T	575	SD100 IEEE841	1LE24211CA113AA3	947	SD3	3.0	86.5	107	✓
3	1800	182T	575	SD100 IEEE841	1LE24211CB113AA3	907	SD3	3.2	89.5	118	✓
3	1200	213T	575	SD100 IEEE841	1LE24212AC113AA3	1350	SD3	3.4	89.5	164	✓
3	900	215T	575	SD100 IEEE841	1LE24212AD213AA3	2565	SD3	3.9	85.5	160	
5	3600	184T	575	SD100 IEEE841	1LE24211CA313AA3	1159	SD3	4.8	88.5	118	✓
5	1800	184T	575	SD100 IEEE841	1LE24211CB313AA3	1039	SD3	5.2	89.5	124	✓
5	1200	215T	575	SD100 IEEE841	1LE24212AC213AA3	1787	SD3	5.4	89.5	176	✓
5	900	254T	575	SD100 IEEE841	1LE24212BD113AA3	3428	SD3	7.0	86.5	247	
7.5	3600	213T	575	SD100 IEEE841	1LE24212AA113AA3	1421	SD3	7.0	89.5	160	✓
7.5	1800	213T	575	SD100 IEEE841	1LE24212AB113AA3	1380	SD3	7.8	91.7	191	✓
7.5	1200	254T	575	SD100 IEEE841	1LE24212BC113AA3	2284	SD3	8.0	91.0	292	✓
7.5	900	256T	575	SD100 IEEE841	1LE24212BD213AA3	4297	SD3	10.5	87.5	279	
10	3600	215T	575	SD100 IEEE841	1LE24212AA213AA3	1634	SD3	9.2	90.2	174	✓
10	1800	215T	575	SD100 IEEE841	1LE24212AB213AA3	1652	SD3	10.0	91.7	197	✓
10	1200	256T	575	SD100 IEEE841	1LE24212BC213AA3	2840	SD3	11.0	91.0	288	✓
10	900	284T	575	SD100 IEEE841	1LE24212CD113AA3	4398	SD3	12.0	90.2	362	
15	3600	254T	575	SD100 IEEE841	1LE24212BA113AA3	2216	SD3	14.0	91.0	287	✓
15	1800	254T	575	SD100 IEEE841	1LE24212BB113AA3	2177	SD3	15.0	92.4	289	✓
15	1200	284T	575	SD100 IEEE841	1LE24212CC113AA3	3541	SD3	17.0	91.7	400	✓
15	900	286T	575	SD100 IEEE841	1LE24212CD213AA3	5623	SD3	18.4	90.2	420	
20	3600	256T	575	SD100 IEEE841	1LE24212BA213AA3	2720	SD3	18.0	91.0	323	✓
20	1800	256T	575	SD100 IEEE841	1LE24212BB213AA3	2806	SD3	20.0	93.0	322	✓
20	1200	286T	575	SD100 IEEE841	1LE24212CC213AA3	4316	SD3	21.5	91.7	465	✓
20	900	324T	575	SD100 IEEE841	1LE24213AD113AA3	6875	SD3	25	91.0	570	

NEMA Premium® is a certification mark of the National Electrical Manufacturers Association.  
QuikMOD Delivery for stocked motors only.  
Stock availability subject to change.

900 RPM Motors meet or exceed EPC efficiency.  
Prices and Specifications are subject to change without notice.  
DOE#CC032A



# SIMOTICS Severe duty motors

## SD100 IEEE841 (Cast iron frame)

NEMA Premium®  
Die cast aluminum rotor

575V 60Hz – Foot mounted

HP	RPM	Frame	Voltage	Type	Part Number	List Price \$	Mult. Symb.	FL Amps	FL Nom Eff. (%)	Lbs	Stock
25	3600	284TS	575	SD100 IEEE841	1LE24212DA113AA3	3231	SD3	23.0	91.7	415	✓
25	1800	284T	575	SD100 IEEE841	1LE24212CB113AA3	3086	SD3	24.0	93.6	445	✓
25	1800	284TS	575	SD100 IEEE841	1LE24212DB113AA3	3086	SD3	24.0	93.6	445	✓
25	1200	324T	575	SD100 IEEE841	1LE24213AC113AA3	5227	SD3	26.0	93.0	640	✓
25	900	326T	575	SD100 IEEE841	1LE24213AD213AA3	7986	SD3	32.8	90.2	582	
30	3600	286TS	575	SD100 IEEE841	1LE24212DA213AA3	3775	SD3	27.0	91.7	430	✓
30	1800	286T	575	SD100 IEEE841	1LE24212CB213AA3	3588	SD3	28.0	93.6	465	✓
30	1800	286TS	575	SD100 IEEE841	1LE24212DB213AA3	3588	SD3	28.0	93.6	465	✓
30	1200	326T	575	SD100 IEEE841	1LE24213AC213AA3	6022	SD3	31.0	93.0	675	✓
30	900	364T	575	SD100 IEEE841	1LE24213CD113AA3	9453	SD3	37.6	91.7	740	
40	3600	324TS	575	SD100 IEEE841	1LE24213BA113AA3	4978	SD3	36.0	93.6	575	✓
40	1800	324T	575	SD100 IEEE841	1LE24213AB113AA3	4767	SD3	37.0	94.1	666	✓
40	1800	324TS	575	SD100 IEEE841	1LE24213BB113AA3	4767	SD3	37.0	94.1	666	✓
40	1200	364T	575	SD100 IEEE841	1LE24213CC113AA3	8160	SD3	39.0	94.1	863	✓
40	900	365T	575	SD100 IEEE841	1LE24213CD213AA3	11428	SD3	50.4	91.7	840	
50	3600	326TS	575	SD100 IEEE841	1LE24213BA213AA3	6328	SD3	44.0	93.6	610	✓
50	1800	326T	575	SD100 IEEE841	1LE24213AB213AA3	5803	SD3	46.0	94.5	700	✓
50	1800	326TS	575	SD100 IEEE841	1LE24213BB213AA3	5803	SD3	46.0	94.5	700	✓
50	1200	365T	575	SD100 IEEE841	1LE24213CC213AA3	9287	SD3	50.0	94.1	900	✓
50	900	404T	575	SD100 IEEE841	1LE24214AD113AA3	13302	SD3	53.6	92.4	1116	
60	3600	364TS	575	SD100 IEEE841	1LE24213DA113AA3	8398	SD3	54.5	93.6	717	✓
60	1800	364T	575	SD100 IEEE841	1LE24213CB113AA3	8253	SD3	54.5	95.0	930	✓
60	1800	364TS	575	SD100 IEEE841	1LE24213DB113AA3	8253	SD3	54.5	95.0	930	✓
60	1200	404T	575	SD100 IEEE841	1LE24214AC113AA3	10599	SD3	59.0	94.5	1100	✓
60	900	405T	575	SD100 IEEE841	1LE24214AD213AA3	14927	SD3	62.4	92.4	1182	
75	3600	365TS	575	SD100 IEEE841	1LE24213DA213AA3	10545	SD3	69.0	94.1	815	✓
75	1800	365T	575	SD100 IEEE841	1LE24213CB213AA3	10279	SD3	68.0	95.4	1000	✓
75	1800	365TS	575	SD100 IEEE841	1LE24213DB213AA3	10279	SD3	68.0	95.4	1000	✓
75	1200	405T	575	SD100 IEEE841	1LE24214AC213AA3	12368	SD3	75.0	94.5	1150	✓
75	900	444T	575	SD100 IEEE841	1LE24214CD113AA3	20456	SD3	75.2	93.6	1525	
75	900	444TS	575	SD100 IEEE841	1LE24214DD113AA3	19848	SD3	75.2	93.6	1525	
75	900	444T	575	SD100 IEEE841	1LE24214ED113AA3	24322	SD3	75.2	93.6	1525	

NEMA Premium® is a certification mark of the National Electrical Manufacturers Association.  
QuikMOD Delivery for stocked motors only.  
Shaded ratings indicated roller bearings.

Stock availability subject to change.  
900 RPM Motors meet or exceed EPA efficiency.  
Prices and Specifications are subject to change without notice.  
DOE#CC032A

# SIMOTICS Severe duty motors

## SD100 IEEE841 (Cast iron frame)

NEMA Premium®  
Die cast aluminum rotor

### 575V 60Hz – Foot mounted

HP	RPM	Frame	Voltage	Type	Part Number	List Price \$	Mult. Symb.	FL Amps	FL Nom Eff. (%)	Lbs	Stock
100	3600	405TS	575	SD100 IEEE841	1LE24214BA213AA3	14007	SD3	87.0	94.1	1100	✓
100	1800	405T	575	SD100 IEEE841	1LE24214AB213AA3	12699	SD3	90.5	95.4	1160	✓
100	1800	405TS	575	SD100 IEEE841	1LE24214BB213AA3	12699	SD3	90.5	95.4	1160	✓
100	1200	444T	575	SD100 IEEE841	1LE24214CC113AA3	17662	SD3	94.0	95.0	1545	✓
100	1200	444TS	575	SD100 IEEE841	1LE24214DC113AA3	17054	SD3	94.0	95.0	1545	
100	1200	444T	575	SD100 IEEE841	1LE24214EC113AA3	17054	SD3	94.0	95.0	1545	
100	900	445T	575	SD100 IEEE841	1LE24214CD213AA3	24930	SD3	98.4	94.1	1697	
100	900	445TS	575	SD100 IEEE841	1LE24214DD213AA3	24322	SD3	98.4	94.1	1697	
100	900	445T	575	SD100 IEEE841	1LE24214ED213AA3	24322	SD3	98.4	94.1	1697	
125	3600	444TS	575	SD100 IEEE841	1LE24214DA113AA3	17992	SD3	112.0	95.0	1454	✓
125	1800	444T	575	SD100 IEEE841	1LE24214CB113AA3	17178	SD3	115.0	95.4	1600	✓
125	1800	444TS	575	SD100 IEEE841	1LE24214DB113AA3	16570	SD3	115.0	95.4	1600	✓
125	1800	444T	575	SD100 IEEE841	1LE24214EB113AA3	16570	SD3	115.0	95.4	1600	✓
125	1200	445T	575	SD100 IEEE841	1LE24214CC213AA3	21185	SD3	115.0	95.0	1720	✓
125	1200	445TS	575	SD100 IEEE841	1LE24214DC213AA3	20577	SD3	115.0	95.0	1720	
125	1200	445T	575	SD100 IEEE841	1LE24214EC213AA3	20577	SD3	115.0	95.0	1720	
125	900	447T	575	SD100 IEEE841	1LE24214CD313AA3	25592	SD3	121.6	94.1	2018	
125	900	447TS	575	SD100 IEEE841	1LE24214DD313AA3	24984	SD3	121.6	94.1	2018	
125	900	447T	575	SD100 IEEE841	1LE24214ED313AA3	24984	SD3	121.6	94.1	2018	
150	3600	445TS	575	SD100 IEEE841	1LE24214DA213AA3	21035	SD3	130.0	95.0	1615	✓
150	1800	445T	575	SD100 IEEE841	1LE24214CB213AA3	19350	SD3	136.0	95.8	1710	✓
150	1800	445TS	575	SD100 IEEE841	1LE24214DB213AA3	18742	SD3	136.0	95.8	1710	✓
150	1800	445T	575	SD100 IEEE841	1LE24214EB213AA3	18742	SD3	136.0	95.8	1710	✓
150	1200	447T	575	SD100 IEEE841	1LE24214CC313AA3	23210	SD3	138.0	95.8	1995	✓
150	1200	447TS	575	SD100 IEEE841	1LE24214DC313AA3	22602	SD3	138.0	95.8	1995	
150	1200	447T	575	SD100 IEEE841	1LE24214EC313AA3	22602	SD3	138.0	95.8	1995	
150	900	449T	575	SD100 IEEE841	1LE24214CD513AA3	32553	SD3	144.0	94.1	2480	
150	900	449TS	575	SD100 IEEE841	1LE24214DD513AA3	31945	SD3	144.0	94.1	2480	
150	900	449T	575	SD100 IEEE841	1LE24214ED513AA3	31945	SD3	144.0	94.1	2480	
200	3600	447TS	575	SD100 IEEE841	1LE24214DA313AA3	26380	SD3	176.0	95.4	1890	✓
200	1800	447T	575	SD100 IEEE841	1LE24214CB313AA3	23404	SD3	181.0	96.2	2035	✓
200	1800	447TS	575	SD100 IEEE841	1LE24214DB313AA3	22796	SD3	181.0	96.2	2035	✓
200	1800	447T	575	SD100 IEEE841	1LE24214EB313AA3	22796	SD3	181.0	96.2	2035	✓
200	1200	449T	575	SD100 IEEE841	1LE24214CC513AA3	28021	SD3	182.0	95.8	2425	✓
200	1200	449TS	575	SD100 IEEE841	1LE24214DC513AA3	27413	SD3	182.0	95.8	2425	
200	1200	449T	575	SD100 IEEE841	1LE24214EC513AA3	27413	SD3	182.0	95.8	2425	
200	900	S449LS	575	SD100 IEEE841	1LE24214FD113AA3	46134	SD3	192.0	94.5	3200	

NEMA Premium® is a certification mark of the National Electrical Manufacturers Association.  
QuikMOD Delivery for stocked motors only.  
Shaded ratings indicated roller bearings.

Stock availability subject to change.  
900 RPM Motors meet or exceed EPC efficiency.  
Prices and Specifications are subject to change without notice.  
DOE#CC032A

# SIMOTICS Severe duty motors

## SD100 IEEE841 (Cast iron frame)

NEMA Premium®  
Die cast aluminum rotor

### 575V 60Hz – Foot mounted

HP	RPM	Frame	Voltage	Type	Part Number	List Price \$	Mult. Symb.	FL Amps	FL Nom Eff. (%)	Lbs	Stock
250	3600	449TS	575	SD100 IEEE841	1LE24214DA513AA3	<b>33581</b>	SD3	209.0	95.8	2272	✓
250	1800	449T <sup>2)</sup>	575	SD100 IEEE841	1LE24214CB513AA3	<b>29498</b>	SD3	223.0	96.2	2425	✓
250	1800	449TS <sup>2)</sup>	575	SD100 IEEE841	1LE24214DB513AA3	<b>28890</b>	SD3	223.0	96.2	2425	✓
250	1800	449T <sup>2)</sup>	575	SD100 IEEE841	1LE24214EB513AA3	<b>28890</b>	SD3	223.0	96.2	2425	✓
250	1200	449T <sup>2)</sup>	575	SD100 IEEE841	1LE24214CC613AA3	<b>30733</b>	SD3	225.0	95.8	2390	✓
250	1200	449TS <sup>2)</sup>	575	SD100 IEEE841	1LE24214DC613AA3	<b>30125</b>	SD3	225.0	95.8	2390	
250	1200	449T <sup>2)</sup>	575	SD100 IEEE841	1LE24214EC613AA3	<b>30125</b>	SD3	225.0	95.8	2390	
250	900	S449LS	575	SD100 IEEE841	1LE24214FD213AA3	<b>50486</b>	SD3	242.4	94.5	3220	
300	3600	449TS	575	SD100 IEEE841	1LE24214DA613AA3	<b>42635</b>	SD3	250.0	95.8	2200	✓
300	1800	S449LS <sup>1) 2)</sup>	575	SD100 IEEE841	1LE24214FB113AA3	<b>39785</b>	SD3	268.0	96.2	3130	✓
300	1800	S449SS <sup>1) 2)</sup>	575	SD100 IEEE841	1LE24214GB113AA3	<b>39177</b>	SD3	268.0	96.2	3130	
300	1200	S449LS <sup>2)</sup>	575	SD100 IEEE841	1LE24214FC113AA3	<b>52950</b>	SD3	272.0	95.8	3240	
300	1200	S449SS <sup>2)</sup>	575	SD100 IEEE841	1LE24214GC113AA3	<b>52342</b>	SD3	272.0	95.8	3240	
350	3600	S449SS <sup>1)</sup>	575	SD100 IEEE841	1LE24214GA113AA3	<b>51006</b>	SD3	296.0	95.8	2890	
350	1800	S449LS <sup>1)</sup>	575	SD100 IEEE841	1LE24214FB213AA3	<b>47844</b>	SD3	312.0	96.2	3190	
350	1800	S449SS <sup>1)</sup>	575	SD100 IEEE841	1LE24214GB213AA3	<b>47236</b>	SD3	312.0	96.2	3190	
400	3600	S449SS <sup>1)</sup>	575	SD100 IEEE841	1LE24214GA313AA3	<b>57207</b>	SD3	338.0	95.8	3065	✓
400	1800	S449LS <sup>1)</sup>	575	SD100 IEEE841	1LE24214FB313AA3	<b>53594</b>	SD3	363.0	96.2	3240	✓
400	1800	S449SS <sup>1)</sup>	575	SD100 IEEE841	1LE24214GB313AA3	<b>52986</b>	SD3	363.0	96.2	3240	

NEMA Premium® is a certification mark of the National Electrical Manufacturers Association.  
QuikMOD Delivery for stocked motors only.  
Shaded ratings indicated roller bearings.  
Stock availability subject to change.

1) CW Rotation facing opposite DE  
2) NEMA design A  
900 RPM Motors meet or exceed EPA efficiency.  
Prices and Specifications are subject to change without notice.  
DOE#CC032A

# SIMOTICS Severe duty motors

## SD100 IEEE841 (Cast iron frame)

NEMA Premium®  
Die cast aluminum rotor

575V 60Hz – C-face footless

HP	RPM	Frame	Voltage	Type	Part Number	List Price \$	Mult. Symb.	FL Amps	FL Nom Eff. (%)	Lbs	Stock
1	3600	143TC	575	SD100 IEEE841	1LE24211AA113GA3	877	SD3	1.1	82.5	75	✓
1	1800	143TC	575	SD100 IEEE841	1LE24211AB213GA3	852	SD3	1.1	85.5	76	✓
1.5	3600	143TC	575	SD100 IEEE841	1LE24211AA213GA3	878	SD3	1.6	84.0	70	✓
1.5	1800	145TC	575	SD100 IEEE841	1LE24211AB313GA3	912	SD3	1.7	86.5	80	✓
2	3600	145TC	575	SD100 IEEE841	1LE24211AA313GA3	994	SD3	2.0	85.5	72	✓
2	1800	145TC	575	SD100 IEEE841	1LE24211AB413GA3	968	SD3	2.2	86.5	80	✓
3	3600	182TC	575	SD100 IEEE841	1LE24211CA113GA3	1079	SD3	3.0	86.5	107	✓
3	1800	182TC	575	SD100 IEEE841	1LE24211CB113GA3	1039	SD3	3.2	89.5	118	✓
5	3600	184TC	575	SD100 IEEE841	1LE24211CA313GA3	1291	SD3	4.8	88.5	118	✓
5	1800	184TC	575	SD100 IEEE841	1LE24211CB313GA3	1171	SD3	5.2	89.5	124	✓
7.5	3600	213TC	575	SD100 IEEE841	1LE24212AA113GA3	1553	SD3	7.0	89.5	160	✓
7.5	1800	213TC	575	SD100 IEEE841	1LE24212AB113GA3	1512	SD3	7.8	91.7	191	✓
10	3600	215TC	575	SD100 IEEE841	1LE24212AA213GA3	1766	SD3	9.2	90.2	174	✓
10	1800	215TC	575	SD100 IEEE841	1LE24212AB213GA3	1784	SD3	10.0	91.7	197	✓
15	3600	254TC	575	SD100 IEEE841	1LE24212BA113GA3	2396	SD3	14.0	91.0	287	✓
15	1800	254TC	575	SD100 IEEE841	1LE24212BB113GA3	2357	SD3	15.0	92.4	289	✓
20	3600	256TC	575	SD100 IEEE841	1LE24212BA213GA3	2900	SD3	18.0	91.0	323	✓
20	1800	256TC	575	SD100 IEEE841	1LE24212BB213GA3	2986	SD3	20.0	93.0	322	✓

NEMA Premium® is a certification mark of the National Electrical Manufacturers Association.  
QuikMOD Delivery for stocked motors only.

Stock availability subject to change.  
Prices and Specifications are subject to change without notice.  
DOE#CC032A

# SIMOTICS severe duty motors

## SD100 IEEE841 (Cast iron frame)

## Spare Parts

### C-Face / InproSeal® kits

Frame	Motor Type	Part Number	Description		List Price \$
140TC	SD100 841	US2:51602570501	Cast Iron	C-Face	245
180TC	SD100 841	US2:51602571501	Cast Iron	C-Face	336
210TC	SD100 841	US2:51602572501	Cast Iron	C-Face	465
250TC	SD100 841	US2:51602573501	Cast Iron	C-Face	529
280TC	SD100 841	US2:51010902029	Cast Iron	C-Face	1065
320TC	SD100 841	US2:51010902034	Cast Iron	C-Face	1751
360TC	SD100 841	US2:51010902039	Cast Iron	C-Face	2224
400TC	SD100 841	US2:51010902042	Cast Iron	C-Face	3639
440T	SD100 841	Please consult the factory			

### D-Flange / InproSeal® kits

Frame	Motor Type	Part Number	Description		List Price \$
140TD	SD100 841	US2:51602590501	Cast Iron	D-Flange	400
180TD	SD100 841	US2:51602591501	Cast Iron	D-Flange	555
210TD	SD100 841	US2:51602592501	Cast Iron	D-Flange	761
250TD	SD100 841	US2:51602593501	Cast Iron	D-Flange	980
280TD-440TD	SD100 841	Please consult the factory			

### Bearings

Frame	Motor Type	Part Number	Description		List Price \$
140T	SD100 841	51380864005	DE/ODE	Bearing, 6205 Z C3 25BC02JP3	41
180T	SD100 841	51380864006	DE/ODE	Bearing, 6206 Z C3 30BC02JP3	51
210T	SD100 841	51380864008	DE/ODE	Bearing, 6208 Z C3 40BC02JP3	91
280T	SD100 841	51380865010	DE/ODE	Bearing, 6310 Z C3 50BC03JP3	212
280T	SD100 841	51380865010	DE/ODE	Bearing, 6310 Z C3 50BC03JP3	212
320T	SD100 841	51380865012	DE/ODE	Bearing, 6312 Z C3 60BC03JP3	273
360T	SD100 841	51380865014	DE/ODE	Bearing, 6314 Z C3 70BC03JP3	429
400T	SD100 841	51380865016	DE/ODE	Bearing, 6316 Z C3 80BC03JP3	680
B440T (TC/TD)	SD100 841	51380865018	DE	Bearing, 6318 Z C3 90BC03JP3	918
444T, 445T (NU)	SD100 841	51674954018	DE	Bearing, NU 318 C3 90RU03M0	1138
447T, 449T (NU)	SD100 841	51674954020	DE	Bearing, NU 320 C3 100RU03M0	1138
440T (TC/TD); 440T (NU)	SD100 841	51380865016	ODE	Bearing, 6316 Z C3 80BC03JP3	680
440TS (TSC/TSD)	SD100 841	51380865016	DE/ODE	Bearing, 6316 Z C3 80BC03JP3	680
S449LS (NU)	SD100 841	51674954020	DE	Bearing, NU 320 C3 100RU03M0	1138
S449LS (NU)	SD100 841	51601984015	ODE	Bearing, 6315 ZZ C3 75BC03JPP3	656
S449SS	SD100 841	51601984015	DE/ODE	Bearing, 6315 ZZ C3 75BC03JPP3	656

# SIMOTICS severe duty motors

## SD100 IEEE841 (Cast iron frame)

## Spare Parts

### Fan Housing

Frame	Motor Type	Part Number	Description		List Price \$
140T	SD100 841	3MSP220079201	Cast Iron	Fan Housing	116
180T	SD100 841	3MSP221079201	Cast Iron	Fan Housing	142
210T	SD100 841	3MSP222079201	Cast Iron	Fan Housing	255
250T	SD100 841	3MSP223079201	Cast Iron	Fan Housing	300
280T	SD100 841	3MSP710114901	Cast Iron	Fan Housing	498
320T	SD100 841	3MSP720114901	Cast Iron	Fan Housing	554
360T	SD100 841	3MSP730114901	Cast Iron	Fan Housing	670
360T	SD100 841	US2:3MSP730205901	Cast Iron	Grid	212
400T	SD100 841	51816819001	Cast Iron	Fan Housing	900
400T	SD100 841	51816825001	Cast Iron	Grid	212
440TS (3600 RPM only)	SD100 841	US2:3MSP750138001	Cast Iron	Fan Housing	1146
440TS (3600 RPM only)	SD100 841	51818114001	Cast Iron	Grid	263
440T	SD100 841	51817031002	Cast Iron	Fan housing (Drip Cov. ready)	1146
440T	SD100 841	51817046001	Cast Iron	Grid	263

140T	SD100 841	3MSP220080601	Cast Iron	Fan housing for Drip Cover	212
180T	SD100 841	3MSP221080601	Cast Iron	Fan housing for Drip Cover	260
210T	SD100 841	3MSP222080601	Cast Iron	Fan housing for Drip Cover	295
250T	SD100 841	3MSP223080601	Cast Iron	Fan housing for Drip Cover	472

### Cooling Fan

Frame	Motor Type	Part Number	Description		List Price \$
180T	SD100 841	3MSG221079602	900	Cooling Fan	228
210T	SD100 841	3MSG223079603	900	Cooling Fan	268
250T	SD100 841	3MSG223079601	900	Cooling Fan	348
280T	SD100 841	51817700002	900	Cooling Fan	348
320T	SD100 841	51817700001	900	Cooling Fan	402
360T	SD100 841	51816861002	900	Cooling Fan	429
400T	SD100 841	51816861002	900	Cooling Fan	429
444T, 445T	SD100 841	51816861001	900 - 75HP; 100HP	Cooling Fan	429
447T, 449T	SD100 841	51771077001	900 - 125HP; 150HP	Cooling Fan	429

# SIMOTICS severe duty motors

## SD100 IEEE841 (Cast iron frame)

## Spare Parts

### Cooling Fan

Frame	Motor Type	Part Number	Description		List Price \$
140T	SD100 841	3MSG221079604	1200	Cooling Fan	228
180T	SD100 841	3MSG221079602	1200	Cooling Fan	228
210T	SD100 841	3MSG223079603	1200	Cooling Fan	268
250T	SD100 841	3MSG223079607	1200	Cooling Fan	348
280T	SD100 841	51817700005	1200	Cooling Fan	348
320T	SD100 841	51817700003	1200	Cooling Fan	402
360T	SD100 841	51816861004	1200	Cooling Fan	429
400T	SD100 841	51816861002	1200	Cooling Fan	429
444T, 445T	SD100 841	51816861002	1200	Cooling Fan	429
447T	SD100 841	51516861003	1200	Cooling Fan	429
449T	SD100 841	51816861002	1200- 200HP	Cooling Fan	429
449T	SD100 841	51771077001	1200- 250HP.	Cooling Fan	429
140T	SD100 841	3MSG221079604	1800	Cooling Fan	228
180T	SD100 841	3MSG221079602	1800	Cooling Fan	228
210T	SD100 841	3MSG223079607	1800	Cooling Fan	348
250T	SD100 841	3MSG223079603	1800	Cooling Fan	268
280T	SD100 841	51817700006	1800	Cooling Fan	348
320T	SD100 841	51817700005	1800	Cooling Fan	348
360T	SD100 841	51816861005	1800	Cooling Fan	429
400T	SD100 841	51816861004	1800	Cooling Fan	429
444T, 445T, 447T, 449T	SD100 841	51816861003	1800	Cooling Fan	429
140T	SD100 841	3MSG221079606	3600	Cooling Fan	148
180T	SD100 841	3MSG221079604	3600	Cooling Fan	228
210T	SD100 841	3MSG223079610	3600	Cooling Fan	268
250T	SD100 841	3MSG223079610	3600	Cooling Fan	268
280T	SD100 841	51817700007	3600	Cooling Fan	281
320T	SD100 841	51817700006	3600	Cooling Fan	348
364T	SD100 841	51817700006	3600- 60HP	Cooling Fan	348
365T	SD100 841	51817700003	3600- 75HP	Cooling Fan	402
400T	SD100 841	51816861005	3600	Cooling Fan	429
444T, 445T	SD100 841	51816861005	3600- 125HP; 150HP	Cooling Fan	429
447T	SD100 841	51816861004	3600	Cooling Fan	429
449T	SD100 841	51816861003	3600- 300HP	Cooling Fan	429

Introduction

General  
Purpose MotorsSevere  
Duty MotorsHazardous  
Duty MotorsDefinite  
Purpose MotorsSpecial  
Features DetailOptions  
Selection  
and PricingTypical  
Performance  
DataGeneral  
DimensionsPart Number  
Index

# SIMOTICS severe duty motors

## SD100 IEEE841 (Cast iron frame)

## Spare Parts

### Drip Cover

Frame	Motor Type	Part Number	Description		List Price \$
140T	SD100 841	3MSP223080701	Cast Iron	Drip Cover	174
180T	SD100 841	3MSP223080702	Cast Iron	Drip Cover	207
210T	SD100 841	3MSP223080703	Cast Iron	Drip Cover	223
250T	SD100 841	3MSP223080704	Cast Iron	Drip Cover	249
280T	SD100 841	51770675005	Cast Iron	Drip Cover	260
320T	SD100 841	51770675004	Cast Iron	Drip Cover	260
360T	SD100 841	51770675003	Cast Iron	Drip Cover	276
400T	SD100 841	51770675001	Cast Iron	Drip Cover	276
440T	SD100 841	51770675002	Cast Iron	Drip Cover	287

### Main Terminal Box

Frame	Motor Type	Part Number	Description		List Price \$
140T	SD100 841	3MSG221081501	Cast Iron	Conduit Box	148
180T	SD100 841	3MSG221081501	Cast Iron	Conduit Box	148
210T	SD100 841	3MSG223081501	Cast Iron	Conduit Box	158
250T	SD100 841	3MSG223081502	Cast Iron	Conduit Box	185
280T	SD100 841	67372007000500	Cast Iron	Conduit Box	217
320T	SD100 841	67372009000500	Cast Iron	Conduit Box	314
360T	SD100 841	67372011000500	Cast Iron	Conduit Box	554
400T	SD100 841	67372011000500	Cast Iron	Conduit Box	554
444T; 445T; 447T	SD100 841	67372011000500	Cast Iron	Conduit Box	554
449T	SD100 841	3MSG700088601	Cast Iron	Conduit Box	554
S449	SD100 841	3MSG700088601	Cast Iron	Conduit Box	554



# SIMOTICS Severe Duty motors

## SD661

**SD661** severe duty/IEEE 841 TEFC motors are available in NEMA Premium® efficiency with our die cast aluminum rotor design (184T-365T). They also exceed IEEE Std 841 TM-2009 standards for high performance, rugged construction and long service life, for the most demanding industrial applications. Also built in compliance with the requirements of API661 standard by incorporating roller bearings on frames 210-360 making them ideal for use for heavy belt driven heat exchangers applications in petro/chemical applications.



**NEMA Premium**



**5**  
YEAR  
WARRANTY



HP range	Frame Size	5-75 HP 180T-360T
Efficiency	NEMA Premium®	143T-S449
Voltage 1)	460 V 575 V	3 phase 60Hz 5-75HP 5-75HP
Insulation	Insulation Class F Service Factor @ 40°C Temperature rise (Sine wave)	<b>NEMA design B</b> NEMA MG1 Part 31 1.15 Class B @ 1.0SF Class F @ 1.15SF
Frame	8 hole feet Condensation drains High strength carbon steel shaft Inpro/Seal® Bearing Isolator – IP56	<b>Cast iron</b> Casted T Drains Two on lowest point in frame C1045 DE & NDE
Stator/Windings rotor	Stator Rotor, die cast aluminum	Random wound copper 180T-360T
Conduit box	Cast iron Neoprene gasket	Oversized 180T-360T 180T-360T
Bearings	Single shielded Bearing housing Grease Inlet / relief fittings	180T-360T Cast iron Bearing caps Polyurea base Alemite / pressure (auto)
Fan and fan cover	Cast Iron Bidirectional fan	180T-360T 180T-360T Polypropylene
Hardware	Nameplate Lifting eyebolt Paint	Rust resistant Zinc plated Stainless steel engraved Included Alkyd Modified -RAL7030
Inverter duty	Variable torque 20:1 Constant torque 20:1	180-360T 180-360T
Hazardous classification	Service factor 1.0  Service factor 1.15	CSA - 180T-360T (40°C) Class I, Division 2, T3 temperature code NA

NEMA Premium® is a certification mark of the National Electrical Manufacturers Association.

1) Standard voltage for stock items, see option selection and pricing section for additional voltages.

# SIMOTICS Severe duty motors

## SD661 (Cast iron frame)

NEMA Premium®  
Die cast aluminum rotor

### 460V 60Hz – Foot mounted

HP	RPM	Frame	Voltage	Type	Part Number	List Price \$	Mult. Syubl.	FL Amps	FI Nom Eff. (%)	Lbs	Stock
5	1800	184T	460	SD661	1LE2422-1CB31-2AA3	1039	SD3	6.5	89.5	124	✓
7.5	1800	213T	460	SD661	1LE2422-2AB11-2AA3	1568	SD3	9.7	91.7	191	✓
7.5	1200	254T	460	SD661	1LE2422-2BC11-2AA3	2542	SD3	10.0	91.0	272	
10	1800	215T	460	SD661	1LE2422-2AB21-2AA3	1842	SD3	12.5	91.7	197	✓
10	1200	256T	460	SD661	1LE2422-2BC21-2AA3	3147	SD3	13.5	91.0	288	
15	1800	254T	460	SD661	1LE2422-2BB11-2AA3	2435	SD3	19.0	92.4	289	✓
15	1200	284T	460	SD661	1LE2422-2CC11-2AA3	3868	SD3	21.0	91.7	400	
20	1800	256T	460	SD661	1LE2422-2BB21-2AA3	3113	SD3	25.0	93.0	322	✓
20	1200	286T	460	SD661	1LE2422-2CC21-2AA3	4638	SD3	27.0	91.7	465	
25	1800	284T	460	SD661	1LE2422-2CB11-2AA3	3413	SD3	30.0	93.6	445	✓
25	1200	324T	460	SD661	1LE2422-3AC11-2AA3	5636	SD3	33.0	93.0	640	
30	1800	286T	460	SD661	1LE2422-2CB21-2AA3	3910	SD3	35.0	93.6	465	✓
30	1200	326T	460	SD661	1LE2422-3AC21-2AA3	6448	SD3	39.0	93.0	675	
40	1800	324T	460	SD661	1LE2422-3AB11-2AA3	5176	SD3	46.0	94.1	666	✓
40	1800	364T	460	SD661	1LE2422-3CC11-2AA3	8659	SD3	49.0	94.1	863	
50	1800	326T	460	SD661	1LE2422-3AB21-2AA3	6229	SD3	58.0	94.5	700	✓
50	1200	365T	460	SD661	1LE2422-3CC21-2AA3	9822	SD3	62.0	94.1	900	
60	1800	364T	460	SD661	1LE2422-3CB11-2AA3	8752	SD3	68.0	95.0	930	✓
75	1800	365T	460	SD661	1LE2422-3CB21-2AA3	10814	SD3	85.0	95.4	1000	✓

### 575V 60Hz – Foot mounted

HP	RPM	Frame	Voltage	Type	Part Number	List Price \$	Mult. Syubl.	FL Amps	FI Nom Eff. (%)	Lbs	Stock
5	1800	184T	575	SD661	1LE2422-1CB31-3AA3	1039	SD3	6.5	89.5	124	
7.5	1800	213T	575	SD661	1LE2422-2AB11-3AA3	1568	SD3	9.7	91.7	191	
10	1800	215T	575	SD661	1LE2422-2AB21-3AA3	1842	SD3	12.5	91.7	197	
15	1800	254T	575	SD661	1LE2422-2BB11-3AA3	2435	SD3	19.0	92.4	289	
20	1800	256T	575	SD661	1LE2422-2BB21-3AA3	3113	SD3	25.0	93.0	322	
25	1800	284T	575	SD661	1LE2422-2CB11-3AA3	3413	SD3	30.0	93.6	445	
30	1800	286T	575	SD661	1LE2422-2CB21-3AA3	3910	SD3	35.0	93.6	465	
40	1800	324T	575	SD661	1LE2422-3AB11-3AA3	5176	SD3	46.0	94.1	666	
50	1800	326T	575	SD661	1LE2422-3AB21-3AA3	6229	SD3	58.0	94.5	700	
60	1800	364T	575	SD661	1LE2422-3CB11-3AA3	8752	SD3	68.0	95.0	930	
75	1800	365T	575	SD661	1LE2422-3CB21-3AA3	10814	SD3	85.0	95.4	1000	

NEMA Premium® is a certification mark of the National Electrical Manufacturers Association.  
QuikMOD Delivery for stocked motors only.  
Stock availability subject to change.

Prices and Specifications are subject to change without notice.  
DOE#CC032A  
Shaded ratings indicated roller bearings.

# SIMOTICS Severe duty motors

## SD661 (Cast iron frame)

## Spare Parts

### Bearings

Frame	Motor Type	Part Number	Description		List Price \$
180T	SD661	51380864006	DE/ODE	Bearing, 6206 Z C3 30BC02JP3	51
210T	SD661		DE	Bearing, NU 208 C3	91
210T	SD661	51380864008	ODE	Bearing, 6208 Z C3 40BC02JP3	
280T	SD661		DE	Bearing, NU 309 C3	212
280T	SD661	51380865010	ODE	Bearing, 6310 Z C3 50BC03JP3	
280T	SD661		DE	Bearing, NU 310 C3	212
280T	SD661	51380865010	ODE	Bearing, 6310 Z C3 50BC03JP3	
320T	SD661		DE	Bearing, NU 312 C3	273
320T	SD661	51380865012	ODE	Bearing, 6312 Z C3 60BC03JP3	
360T	SD661		DE	Bearing, NU 314 C3	429
360T	SD661	51380865014	ODE	Bearing, 6314 Z C3 70BC03JP3	429

### Fan Housing

Frame	Motor Type	Part Number	Description		List Price \$
180T	SD661	3MSP221079201	Cast Iron	Fan Housing	142
210T	SD661	3MSP222079201	Cast Iron	Fan Housing	255
250T	SD661	3MSP223079201	Cast Iron	Fan Housing	300
280T	SD661	3MSP710114901	Cast Iron	Fan Housing	498
320T	SD661	3MSP720114901	Cast Iron	Fan Housing	554
360T	SD661	3MSP730114901	Cast Iron	Fan Housing	670
360T	SD661	US2:3MSP730205901	Cast Iron	Grid	212
180T	SD661	3MSP221080601	Cast Iron	Fan housing for Drip Cover	260
210T	SD661	3MSP222080601	Cast Iron	Fan housing for Drip Cover	295
250T	SD661	3MSP223080601	Cast Iron	Fan housing for Drip Cover	472

# SIMOTICS Severe duty motors

## SD661 (Cast iron frame)

## Spare Parts

### Cooling Fan

Frame	Motor Type	Part Number	Description		List Price \$
180T	SD661	3MSG221079602	900	Cooling Fan	228
210T	SD661	3MSG223079603	900	Cooling Fan	268
250T	SD661	3MSG223079601	900	Cooling Fan	348
280T	SD661	51817700002	900	Cooling Fan	348
320T	SD661	51817700001	900	Cooling Fan	402
360T	SD661	51816861002	900	Cooling Fan	429
180T	SD661	3MSG221079602	1200	Cooling Fan	228
210T	SD661	3MSG223079603	1200	Cooling Fan	268
250T	SD661	3MSG223079607	1200	Cooling Fan	348
280T	SD661	51817700005	1200	Cooling Fan	348
320T	SD661	51817700003	1200	Cooling Fan	402
360T	SD661	51816861004	1200	Cooling Fan	429

180T	SD661	3MSG221079602	1800	Cooling Fan	228
210T	SD661	3MSG223079607	1800	Cooling Fan	348
250T	SD661	3MSG223079603	1800	Cooling Fan	268
280T	SD661	51817700006	1800	Cooling Fan	348
320T	SD661	51817700005	1800	Cooling Fan	348
360T	SD661	51816861005	1800	Cooling Fan	429

180T	SD661	3MSG221079604	3600	Cooling Fan	228
210T	SD661	3MSG223079610	3600	Cooling Fan	268
250T	SD661	3MSG223079610	3600	Cooling Fan	268
280T	SD661	51817700007	3600	Cooling Fan	281
320T	SD661	51817700006	3600	Cooling Fan	348
364T	SD661	51817700006	3600 - 60HP	Cooling Fan	348
365T	SD661	51817700003	3600 - 75HP	Cooling Fan	402

### Drip Cover

Frame	Motor Type	Part Number	Description		List Price \$
180T	SD661	3MSP223080702	Cast Iron	Drip Cover	207
210T	SD661	3MSP223080703	Cast Iron	Drip Cover	223
250T	SD661	3MSP223080704	Cast Iron	Drip Cover	249
280T	SD661	51770675005	Cast Iron	Drip Cover	260
320T	SD661	51770675004	Cast Iron	Drip Cover	260
360T	SD661	51770675003	Cast Iron	Drip Cover	276

### Main Terminal Box

Frame	Motor Type	Part Number	Description		List Price \$
180T	SD661	3MSG221081501	Cast Iron	Conduit Box	148
210T	SD661	3MSG223081501	Cast Iron	Conduit Box	158
250T	SD661	3MSG223081502	Cast Iron	Conduit Box	185
280T	SD661	67372007000500	Cast Iron	Conduit Box	217
320T	SD661	67372009000500	Cast Iron	Conduit Box	314
360T	SD661	67372011000500	Cast Iron	Conduit Box	554

# SIMOTICS Explosion proof motors

## XP100

XP100 explosion-proof motors are UL® listed for gas and dust ignition proof environments, and are suitable for use in Class I, Groups C&D, Class II, Groups F & G, Division 1 hazardous areas.



**NEMA Premium**



**3 YEAR WARRANTY**



HP range	Frame Size	<b>1-300 HP</b> 143T-449T
Efficiency	NEMA Premium®	143T-449T
Voltage <sup>1)</sup>	208-230 / 460 V 230 / 460 V 460 V 575 V	<b>3 phase 60Hz</b> 1-20HP or up to 256T frames 10-100HP or from 280T thru 400T frames 125-300HP 1-300HP
Insulation	Insulation Class F Service Factor @ 40°C Temperature rise (Sine wave)	<b>NEMA design B <sup>2)</sup></b> NEMA MG1 Part 31 <sup>3)</sup> 1.15 Class B @ 1.0SF Class F @ 1.15SF
Frame	8 hole feet Condensation drains High strength carbon steel Shaft V ring slinger - IP65 Inpro/Seal® Bearing Isolator - IP66	<b>Cast iron</b> Casted 284-449T                      UL Approved C1045 DE & NDE DE
Stator/Windings rotor	Stator Rotor, die cast aluminum	Random wound copper +NC Temp Protective devices 143T-449T
Conduit box	Cast iron Seal leads	<b>Oversized</b> 143T-449T 143T-449T
Bearings	Double shielded Bearing housing Inlet / relief fittings	143T-449T Cast iron                      Bearing caps Alemite / plug
Fan and fan cover	Cast Iron Bidirectional fan	<b>Oversized</b> 143T-449T 143T-449T                      Polypropylene
Hardware	Nameplate Lifting eyebolt Paint	<b>Rust resistant</b> Zinc plated grade 5 only Stainless steel engraved Included above 75 lbs. Alkyd Modified -RAL7030
Inverter duty	Variable torque 20:1 Constant torque 4:1 Constant torque 6:1	143T-449T 143T-326T 364T-445T <sup>4)</sup>
Hazardous classification	Service factor 1.0  Service factor 1.15	UL - 143T-326T (55°C) Class I, Group C&D Class II Groups E, F&G, Division 1 T3C - temperature code UL - 143T-326T (40°C) Class I, Group C&D Class II Groups E, F&G, Division 1 T3C - temperature code

NEMA Premium® is a certification mark of the National Electrical Manufacturers Association.

1) Standard voltage for stock items, see option selection and pricing section for additional voltages.

2) NEMA design A: 250HP and 300HP, 4 and 6 pole.

3) 1.0 S.F. for 449T higher ratings: 300HP 2 & 4 Pole , 250HP 6 Pole, 200HP 8 Pole.

4) Available as option (M05 -VSD fan).

# SIMOTICS Explosion proof motors

XP100

NEMA Premium®

Class I, Groups C&D, Class II, Groups F&G, Division 1

460V 60Hz – Foot mounted,

HP	RPM	Frame	Voltage	Type	Part Number	List Price \$	Mult. Sybl.	FL Amps	Fl Nom Eff. (%)	Lbs	Stock
1	1800	143T	208-230/460	XP100	1MB21211AB214AG3	862	XXP	1.4	85.5	77	✓
1	1200	145T	208-230/460	XP100	1MB21211AC314AG3	1014	XXP	1.6	82.5	88	✓
1	900	182T	208-230/460	XP100	1MB21211CD114AG3	1874	XXP	2.1	81.5	100	✓
1.5	3600	143T	208-230/460	XP100	1MB21211AA214AG3	905	XXP	2.0	84.0	55	✓
1.5	1800	145T	208-230/460	XP100	1MB21211AB314AG3	927	XXP	2.1	86.5	88	✓
1.5	1200	182T	208-230/460	XP100	1MB21211CC114AG3	1106	XXP	2.4	87.5	105	✓
1.5	900	184T	208-230/460	XP100	1MB21211CD314AG3	2206	XXP	3.0	82.5	125	✓
2	3600	145T	208-230/460	XP100	1MB21211AA314AG3	1028	XXP	2.5	85.5	65	✓
2	1800	145T	208-230/460	XP100	1MB21211AB414AG3	990	XXP	2.7	86.5	88	✓
2	1200	184T	208-230/460	XP100	1MB21211CC314AG3	1249	XXP	3.2	88.5	125	✓
2	900	213T	208-230/460	XP100	1MB21212AD114AG3	2639	XXP	3.3	84.0	161	✓
3	3600	182T	208-230/460	XP100	1MB21211CA114AG3	1123	XXP	3.8	86.5	88	✓
3	1800	182T	208-230/460	XP100	1MB21211CB114AG3	1115	XXP	4.0	89.5	110	✓
3	1200	213T	208-230/460	XP100	1MB21212AC114AG3	1522	XXP	4.3	89.5	173	✓
3	900	215T	208-230/460	XP100	1MB21212AD214AG3	3170	XXP	4.8	85.5	173	✓
5	3600	184T	208-230/460	XP100	1MB21211CA314AG3	1502	XXP	6.0	88.5	105	✓
5	1800	184T	208-230/460	XP100	1MB21211CB314AG3	1366	XXP	6.4	89.5	125	✓
5	1200	215T	208-230/460	XP100	1MB21212AC214AG3	2171	XXP	6.7	89.5	180	✓
5	900	254T	208-230/460	XP100	1MB21212BD114AG3	3616	XXP	8.8	86.5	270	✓
7.5	3600	213T	208-230/460	XP100	1MB21212AA114AG3	1695	XXP	8.8	89.5	165	✓
7.5	1800	213T	208-230/460	XP100	1MB21212AB114AG3	1680	XXP	9.7	91.7	185	✓
7.5	1200	254T	208-230/460	XP100	1MB21212BC114AG3	2627	XXP	10.0	91.0	285	✓
7.5	900	256T	208-230/460	XP100	1MB21212BD214AG3	4131	XXP	13.0	87.5	300	✓
10	3600	215T	208-230/460	XP100	1MB21212AA214AG3	1965	XXP	11.5	90.2	173	✓
10	1800	215T	208-230/460	XP100	1MB21212AB214AG3	1995	XXP	12.5	91.7	187	✓
10	1200	256T	208-230/460	XP100	1MB21212BC214AG3	3188	XXP	13.5	91.0	308	✓
10	900	284T	230/460	XP100	1MB21212CD116AG3	5124	XXP	17.0	90.2	486	
15	3600	254T	208-230/460	XP100	1MB21212BA114AG3	2671	XXP	17.5	91.0	283	✓
15	1800	254T	208-230/460	XP100	1MB21212BB114AG3	2623	XXP	19.0	92.4	303	✓
15	1200	284T	230/460	XP100	1MB21212CC116AG3	4415	XXP	21.0	91.7	481	✓
15	900	286T	230/460	XP100	1MB21212CD216AG3	6574	XXP	23.0	91.0	531	
20	3600	256T	208-230/460	XP100	1MB21212BA214AG3	3296	XXP	22.5	91.0	308	✓
20	1800	256T	208-230/460	XP100	1MB21212BB214AG3	3252	XXP	25.0	93.0	340	✓
20	1200	286T	230/460	XP100	1MB21212CC216AG3	5387	XXP	27.0	91.7	506	✓
20	900	324T	230/460	XP100	1MB21213AD116AG3	8482	XXP	32.0	91.0	636	
25	3600	284TS	230/460	XP100	1MB21212DA116AG3	4075	XXP	29.0	91.7	526	✓
25	1800	284T	230/460	XP100	1MB21212CB116AG3	3912	XXP	30.0	93.6	501	✓
25	1200	324T	230/460	XP100	1MB21213AC116AG3	6500	XXP	33.0	93.0	713	✓
25	900	326T	230/460	XP100	1MB21213AD216AG3	9885	XXP	40.0	91.0	683	

NEMA Premium® is a certification mark of the National Electrical Manufacturers Association.  
 QuikMOD Delivery for stocked motors only.  
 Stock availability subject to change.

900 RPM Motors meet or exceed EPA efficiency.  
 Prices and Specifications are subject to change without notice.  
 DOE#CC032A

# SIMOTICS Explosion proof motors

XP100

NEMA Premium®

Class I, Groups C&D, Class II, Groups F&G, Division 1

460V 60Hz – Foot mounted

HP	RPM	Frame	Voltage	Type	Part Number	List Price \$	Mult. Symb.	FL Amps	FL Nom Eff. (%)	Lbs	Stock
30	3600	286TS	230/460	XP100	1MB21212DA216AG3	4757	XXP	34.0	91.7	521	✓
30	1800	286T	230/460	XP100	1MB21212CB216AG3	4546	XXP	35.0	93.6	521	✓
30	1200	326T	230/460	XP100	1MB21213AC216AG3	7518	XXP	39.0	93.0	678	✓
30	900	364T	230/460	XP100	1MB21213CD116AG3	10420	XXP	41.0	91.7	860	
40	3600	324TS	230/460	XP100	1MB21213BA116AG3	6044	XXP	45.0	93.6	606	✓
40	1800	324T	230/460	XP100	1MB21213AB116AG3	5813	XXP	46.0	94.1	653	✓
40	1200	364T	230/460	XP100	1MB21213CC116AG3	9692	XXP	49.0	94.1	835	✓
40	900	365T	230/460	XP100	1MB21213CD216AG3	10319	XXP	63.0	91.7	940	
50	3600	326TS	230/460	XP100	1MB21213BA216AG3	7708	XXP	55.0	93.6	615	✓
50	1800	326T	230/460	XP100	1MB21213AB216AG3	7081	XXP	58.0	94.5	695	✓
50	1200	365T	230/460	XP100	1MB21213CC216AG3	11191	XXP	62.0	94.1	870	✓
50	900	404T	230/460	XP100	1MB21214AD116AG3	15978	XXP	67.0	92.4	1050	
60	3600	364TS	230/460	XP100	1MB21213DA116AG3	9349	XXP	68.0	93.6	790	✓
60	1800	364T	230/460	XP100	1MB21213CB116AG3	9248	XXP	68.0	95.0	890	✓
60	1200	404T	230/460	XP100	1MB21214AC116AG3	12420	XXP	74.0	94.5	1055	✓
60	900	405T	230/460	XP100	1MB21214AD216AG3	18166	XXP	78.0	92.4	1050	
75	3600	365TS	230/460	XP100	1MB21213DA216AG3	11400	XXP	86.0	94.1	900	✓
75	1800	365T	230/460	XP100	1MB21213CB216AG3	11369	XXP	85.0	95.4	960	✓
75	1200	405T	230/460	XP100	1MB21214AC216AG3	14263	XXP	93.0	94.5	1025	✓
75	900	444T	230/460	XP100	1MB21214CD116AG3	22527	XXP	94.0	93.6	1551	
100	3600	405TS	230/460	XP100	1MB21214BA216AG3	16053	XXP	108.0	94.1	1020	✓
100	1800	405T	230/460	XP100	1MB21214AB216AG3	14902	XXP	113.0	95.4	1115	✓
100	1200	444T	230/460	XP100	1MB21214CC116AG3	20680	XXP	117.0	95.0	1551	✓
100	900	445T	230/460	XP100	1MB21214CD216AG3	23716	XXP	123.0	94.1	1770	✓
125	3600	444TS	460	XP100	1MB21214DA112AG3	19573	XXP	138.0	95.0	1450	✓
125	1800	444T	460	XP100	1MB21214CB112AG3	18889	XXP	143.0	95.4	1659	✓
125	1800	444TS	460	XP100	1MB21214DB112AG3	18281	XXP	143.0	95.4	1596	✓
125	1800	444T	460	XP100	1MB21214EB112AG3	18281	XXP	143.0	95.4	1621	✓
125	1200	445T	460	XP100	1MB21214CC212AG3	23252	XXP	144.0	95.0	1771	✓
125	900	447T	460	XP100	1MB21214CD312AG3	32404	XXP	152.0	94.1	2029	
150	3600	445TS	460	XP100	1MB21214DA212AG3	24048	XXP	164.0	95.0	1611	✓
150	1800	445T	460	XP100	1MB21214CB212AG3	22391	XXP	170.0	95.8	1934	✓
150	1800	445TS	460	XP100	1MB21214DB212AG3	21783	XXP	170.0	95.8	1706	✓
150	1800	445T	460	XP100	1MB21214EB212AG3	21783	XXP	170.0	95.8	1896	✓
150	1200	447T	460	XP100	1MB21214CC312AG3	26725	XXP	172.0	95.8	2029	✓
150	900	449T	460	XP100	1MB21214CD512AG3	36954	XXP	180.0	94.1	2508	

NEMA Premium® is a certification mark of the National Electrical Manufacturers Association.  
 QuikMOD Delivery for stocked motors only.  
 Shaded ratings indicated roller bearings.

Stock availability subject to change.  
 900 RPM Motors meet or exceed EPA efficiency.  
 Prices and Specifications are subject to change without notice.  
 DOE#CC032A

Introduction  
 General Purpose Motors  
 Severe Duty Motors  
 Hazardous Duty Motors  
 Definite Purpose Motors  
 Special Features Detail  
 Options Selection and Pricing  
 Typical Performance Data  
 General Dimensions  
 Part Number Index

# SIMOTICS Explosion proof motors

XP100

NEMA Premium®

Class I, Groups C&D, Class II, Groups F&G, Division 1

## 460V 60Hz – Foot mounted

HP	RPM	Frame	Voltage	Type	Part Number	List Price \$	Mult. Symb.	FL Amps	FL Nom Eff. (%)	Lbs	Stock
200	3600	447TS	460	XP100	1MB21214DA312AG3	<b>30713</b>	XXP	216.0	95.4	2250	✓
200	1800	447T	460	XP100	1MB21214CB312AG3	<b>27448</b>	XXP	228.0	96.2	2314	✓
200	1800	447TS	460	XP100	1MB21214DB312AG3	<b>26840</b>	XXP	228.0	96.2	2250	✓
200	1800	447T	460	XP100	1MB21214EB312AG3	<b>26840</b>	XXP	228.0	96.2	2276	✓
200	1200	449T	460	XP100	1MB21214CC512AG3	<b>31759</b>	XXP	227.0	95.8	2450	✓
200	1200	449T	460	XP100	1MB21214EC512AG3	<b>31151</b>	XXP	227.0	95.8	2440	✓
200	900	449T	460	XP100	1MB21214CD612AG3	<b>39665</b>	XXP	240.0	94.5	2450	
250	3600	449TS	460	XP100	1MB21214DA512AG3	<b>37573</b>	XXP	265.0	95.8	2300	✓
250	1800	449T <sup>2)</sup>	460	XP100	1MB21214CB512AG3	<b>32881</b>	XXP	278.0	96.2	2453	✓
250	1800	449TS <sup>2)</sup>	460	XP100	1MB21214DB512AG3	<b>32273</b>	XXP	278.0	96.2	2453	✓
250	1800	449T <sup>2)</sup>	460	XP100	1MB21214EB512AG3	<b>32273</b>	XXP	278.0	96.2	2453	✓
250	1200	449TS <sup>2)</sup>	460	XP100	1MB21214DC612AG3	<b>38095</b>	XXP	281.0	95.8	2400	✓
300	3600	449TS	460	XP100	1MB21214DA612AG3	<b>55226</b>	XXP	325.0	95.8	2300	✓
300	1800	449T <sup>2)</sup>	460	XP100	1MB21214CB612AG3	<b>42083</b>	XXP	338.0	96.2	2350	✓
300	1800	449T <sup>2)</sup>	460	XP100	1MB21214EB612AG3	<b>41475</b>	XXP	338.0	96.2	2315	
300	1800	449TS <sup>2)</sup>	460	XP100	1MB21214DB612AG3	<b>41475</b>	XXP	338.0	96.2	2315	✓

NEMA Premium® is a certification mark of the National Electrical Manufacturers Association.  
 QuikMOD Delivery for stocked motors only.  
 Shaded ratings indicated roller bearings.

<sup>2)</sup> NEMA design A  
 Stock availability subject to change.  
 900 RPM Motors meet or exceed EPA efficiency.  
 Prices and Specifications are subject to change without notice.  
 DOE#CC032A



# SIMOTICS Explosion proof motors

XP100

NEMA Premium®

Class I, Groups C&D, Class II, Groups F&G, Division 1

460V 60Hz – C-face footless with canopy

HP	RPM	Frame	Voltage	Type	Part Number	List Price \$	Mult. Symb.	FL Amps	FL Nom Eff. (%)	Lbs	Stock
1	1800	143TCV	230/460	XP100	1MB21211AB216LG3	1076	XXP	1.4	85.5	82	✓
1	1200	145TCV	230/460	XP100	1MB21211AC316LG3	1228	XXP	1.6	82.5	93	✓
1	900	182TCV	230/460	XP100	1MB21211CD116LG3	2111	XXP	2.1	81.5	99	✓
1.5	3600	143TCV	230/460	XP100	1MB21211AA216LG3	1119	XXP	2.0	84.0	60	✓
1.5	1800	145TCV	230/460	XP100	1MB21211AB316LG3	1141	XXP	2.1	86.5	93	✓
1.5	1200	182TCV	230/460	XP100	1MB21211CC116LG3	1343	XXP	2.4	87.5	104	✓
1.5	900	184TCV	230/460	XP100	1MB21211CD316LG3	2443	XXP	3.0	82.5	124	✓
2	3600	145TCV	230/460	XP100	1MB21211AA316LG3	1242	XXP	2.5	85.5	70	✓
2	1800	145TCV	230/460	XP100	1MB21211AB416LG3	1204	XXP	2.7	86.5	93	✓
2	1200	184TCV	230/460	XP100	1MB21211CC316LG3	1486	XXP	3.2	88.5	124	✓
2	900	213TCV	230/460	XP100	1MB21212AD116LG3	2878	XXP	3.3	84.0	158	✓
3	3600	182TCV	230/460	XP100	1MB21211CA116LG3	1360	XXP	3.8	86.5	87	✓
3	1800	182TCV	230/460	XP100	1MB21211CB116LG3	1352	XXP	4.0	89.5	109	✓
3	1200	213TCV	230/460	XP100	1MB21212AC116LG3	1761	XXP	4.3	89.5	170	✓
3	900	215TCV	230/460	XP100	1MB21212AD216LG3	3409	XXP	4.8	85.5	170	✓
5	3600	184TCV	230/460	XP100	1MB21211CA316LG3	1739	XXP	6.0	88.5	104	✓
5	1800	184TCV	230/460	XP100	1MB21211CB316LG3	1603	XXP	6.4	89.5	124	✓
5	1200	215TCV	230/460	XP100	1MB21212AC216LG3	2410	XXP	6.7	89.5	177	✓
5	900	254TCV	230/460	XP100	1MB21212BD116LG3	3934	XXP	8.8	86.5	268	✓
7.5	3600	213TCV	230/460	XP100	1MB21212AA116LG3	1934	XXP	8.8	89.5	163	✓
7.5	1800	213TCV	230/460	XP100	1MB21212AB116LG3	1919	XXP	9.7	91.7	183	✓
7.5	1200	254TCV	230/460	XP100	1MB21212BC116LG3	2945	XXP	10.0	91.0	283	✓
7.5	900	256TCV	230/460	XP100	1MB21212BD216LG3	4449	XXP	13.0	87.5	298	✓
10	3600	215TCV	230/460	XP100	1MB21212AA216LG3	2204	XXP	11.5	90.2	170	✓
10	1800	215TCV	230/460	XP100	1MB21212AB216LG3	2234	XXP	12.5	91.7	185	✓
10	1200	256TCV	230/460	XP100	1MB21212BC216LG3	3506	XXP	13.5	91.0	306	✓
15	3600	254TCV	230/460	XP100	1MB21212BA116LG3	2989	XXP	17.5	91.0	281	✓
15	1800	254TCV	230/460	XP100	1MB21212BB116LG3	2941	XXP	19.0	92.4	301	✓
15	1200	284TCV	230/460	XP100	1MB21212CC116LG3	4888	XXP	21.0	91.7	484	✓
20	3600	256TCV	230/460	XP100	1MB21212BA216LG3	3614	XXP	22.5	91.0	306	✓
20	1800	256TCV	230/460	XP100	1MB21212BB216LG3	3570	XXP	25.0	93.0	338	✓

NEMA Premium® is a certification mark of the National Electrical Manufacturers Association. QuikMOD Delivery for stocked motors only. Stock availability subject to change.

900 RPM Motors meet or exceed EPC efficiency. Prices and Specifications are subject to change without notice. DOE#CC032A

Introduction  
General Purpose Motors  
Severe Duty Motors  
Hazardous Duty Motors  
Definite Purpose Motors  
Special Features Detail  
Options Selection and Pricing  
Typical Performance Data  
General Dimensions  
Part Number Index

# SIMOTICS Explosion proof motors

XP100

NEMA Premium®

Class I, Groups C&D, Class II, Groups F&G, Division 1

575V 60Hz, Foot mounted

HP	RPM	Frame	Voltage	Type	Part Number	List Price \$	Mult. Symb.	FL Amps	FL Nom Eff. (%)	Lbs	Stock
1	1800	143T	575	XP100	1MB21211AB213AG3	862	XXP	1.1	85.5	77	✓
1	1200	145T	575	XP100	1MB21211AC313AG3	1014	XXP	1.3	82.5	88	✓
1	900	182T	575	XP100	1MB21211CD113AG3	1874	XXP	1.7	81.5	100	
1.5	3600	143T	575	XP100	1MB21211AA213AG3	905	XXP	1.6	84.0	55	✓
1.5	1800	145T	575	XP100	1MB21211AB313AG3	927	XXP	1.7	86.5	88	✓
1.5	1200	182T	575	XP100	1MB21211CC113AG3	1106	XXP	1.9	87.5	105	✓
1.5	900	184T	575	XP100	1MB21211CD313AG3	2206	XXP	2.4	82.5	125	
2	3600	145T	575	XP100	1MB21211AA313AG3	1028	XXP	2.0	85.5	65	✓
2	1800	145T	575	XP100	1MB21211AB413AG3	990	XXP	2.2	86.5	88	✓
2	1200	184T	575	XP100	1MB21211CC313AG3	1249	XXP	2.6	88.5	125	✓
2	900	213T	575	XP100	1MB21212AD113AG3	2639	XXP	2.6	84.0	161	
3	3600	182T	575	XP100	1MB21211CA113AG3	1123	XXP	3.0	86.5	88	✓
3	1800	182T	575	XP100	1MB21211CB113AG3	1115	XXP	3.2	89.5	110	✓
3	1200	213T	575	XP100	1MB21212AC113AG3	1522	XXP	3.4	89.5	173	✓
3	900	215T	575	XP100	1MB21212AD213AG3	3170	XXP	3.9	85.5	173	
5	3600	184T	575	XP100	1MB21211CA313AG3	1502	XXP	4.8	88.5	105	✓
5	1800	184T	575	XP100	1MB21211CB313AG3	1366	XXP	5.1	89.5	125	✓
5	1200	215T	575	XP100	1MB21212AC213AG3	2171	XXP	5.4	89.5	180	✓
5	900	254T	575	XP100	1MB21212BD113AG3	3616	XXP	7.0	86.5	270	
7.5	3600	213T	575	XP100	1MB21212AA113AG3	1695	XXP	7.0	89.5	165	✓
7.5	1800	213T	575	XP100	1MB21212AB113AG3	1680	XXP	7.8	91.7	185	✓
7.5	1200	254T	575	XP100	1MB21212BC113AG3	2627	XXP	8.0	91.0	285	✓
7.5	900	256T	575	XP100	1MB21212BD213AG3	4131	XXP	10.5	87.5	300	
10	3600	215T	575	XP100	1MB21212AA213AG3	1965	XXP	9.2	90.2	173	✓
10	1800	215T	575	XP100	1MB21212AB213AG3	1995	XXP	10.0	91.7	187	✓
10	1200	256T	575	XP100	1MB21212BC213AG3	3188	XXP	11.0	91.0	308	✓
10	900	284T	575	XP100	1MB21212CD113AG3	5124	XXP	14.0	90.2	486	
15	3600	254T	575	XP100	1MB21212BA113AG3	2671	XXP	14.0	91.0	283	✓
15	1800	254T	575	XP100	1MB21212BB113AG3	2623	XXP	15.0	92.4	303	✓
15	1200	284T	575	XP100	1MB21212CC113AG3	4415	XXP	17.0	91.7	481	✓
15	900	286T	575	XP100	1MB21212CD213AG3	6574	XXP	18.5	91.0	531	
20	3600	256T	575	XP100	1MB21212BA213AG3	3296	XXP	18.0	91.0	308	✓
20	1800	256T	575	XP100	1MB21212BB213AG3	3252	XXP	20.0	93.0	340	✓
20	1200	286T	575	XP100	1MB21212CC213AG3	5387	XXP	21.5	91.7	506	✓
20	900	324T	575	XP100	1MB21213AD113AG3	8482	XXP	25.0	91.0	636	
25	3600	284TS	575	XP100	1MB21212DA113AG3	4075	XXP	23.0	91.7	526	✓
25	1800	284T	575	XP100	1MB21212CB113AG3	3912	XXP	24.0	93.6	501	✓
25	1200	324T	575	XP100	1MB21213AC113AG3	6500	XXP	26.0	93.0	713	✓
25	900	326T	575	XP100	1MB21213AD213AG3	9885	XXP	32.0	91.0	683	
30	3600	286TS	575	XP100	1MB21212DA213AG3	4757	XXP	27.0	91.7	521	✓
30	1800	286T	575	XP100	1MB21212CB213AG3	4546	XXP	28.0	93.6	521	✓
30	1200	326T	575	XP100	1MB21213AC213AG3	7518	XXP	31.0	93.0	678	✓
30	900	364T	575	XP100	1MB21213CD113AG3	10420	XXP	33.0	91.7	860	

NEMA Premium® is a certification mark of the National Electrical Manufacturers Association.  
QuikMOD Delivery for stocked motors only.

Stock availability subject to change.  
900 RPM Motors meet or exceed EPAct efficiency.  
Prices and Specifications are subject to change without notice.

# SIMOTICS Explosion proof motors

XP100

NEMA Premium®

Class I, Groups C&D, Class II, Groups F&G, Division 1

575V 60Hz, Foot mounted

HP	RPM	Frame	Voltage	Type	Part Number	List Price \$	Mult. Symb.	FL Amps	FL Nom Eff. (%)	Lbs	Stock
40	3600	324TS	575	XP100	1MB21213BA113AG3	<b>6044</b>	XXP	36.0	93.6	606	✓
40	1800	324T	575	XP100	1MB21213AB113AG3	<b>5813</b>	XXP	37.0	94.1	653	✓
40	1200	364T	575	XP100	1MB21213CC113AG3	<b>9692</b>	XXP	39.0	94.1	835	✓
40	900	365T	575	XP100	1MB21213CD213AG3	<b>10319</b>	XXP	51.0	91.7	940	
50	3600	326TS	575	XP100	1MB21213BA213AG3	<b>7708</b>	XXP	44.0	93.6	615	✓
50	1800	326T	575	XP100	1MB21213AB213AG3	<b>7081</b>	XXP	46.0	94.5	695	✓
50	1200	365T	575	XP100	1MB21213CC213AG3	<b>11191</b>	XXP	50.0	94.1	870	✓
50	900	404T	575	XP100	1MB21214AD113AG3	<b>15978</b>	XXP	54.0	92.4	1050	
60	3600	364TS	575	XP100	1MB21213DA113AG3	<b>9349</b>	XXP	54.5	93.6	790	✓
60	1800	364T	575	XP100	1MB21213CB113AG3	<b>9248</b>	XXP	54.5	95.0	890	✓
60	1200	404T	575	XP100	1MB21214AC113AG3	<b>12420</b>	XXP	59.0	94.5	1055	✓
60	900	405T	575	XP100	1MB21214AD213AG3	<b>18166</b>	XXP	63.0	92.4	1050	
75	3600	365TS	575	XP100	1MB21213DA213AG3	<b>11400</b>	XXP	86.0	94.1	900	✓
75	1800	365T	575	XP100	1MB21213CB213AG3	<b>11369</b>	XXP	85.0	95.4	960	✓
75	1200	405T	575	XP100	1MB21214AC213AG3	<b>14263</b>	XXP	93.0	94.5	1025	✓
75	900	444T	575	XP100	1MB21214CD113AG3	<b>22527</b>	XXP	94.0	93.6	1551	
100	3600	405TS	575	XP100	1MB21214BA213AG3	<b>16053</b>	XXP	87.0	94.1	1020	✓
100	1800	405T	575	XP100	1MB21214AB213AG3	<b>14902</b>	XXP	90.5	95.4	1115	✓
100	1200	444T	575	XP100	1MB21214CC113AG3	<b>20680</b>	XXP	94.0	95.0	1551	
100	900	445T	575	XP100	1MB21214CD213AG3	<b>23716</b>	XXP	98.0	94.1	1770	
125	3600	444TS	575	XP100	1MB21214DA113AG3	<b>19573</b>	XXP	110.0	95.0	1450	✓
125	1800	444TS	575	XP100	1MB21214DB113AG3	<b>18281</b>	XXP	115.0	95.4	1596	✓
125	1800	444T	575	XP100	1MB21214CB113AG3	<b>18889</b>	XXP	115.0	95.4	1659	✓
125	1200	445T	575	XP100	1MB21214CC213AG3	<b>23252</b>	XXP	115.0	95.0	1771	
125	900	447T	575	XP100	1MB21214CD313AG3	<b>32404</b>	XXP	152.0	94.1	2029	
150	3600	445TS	575	XP100	1MB21214DA213AG3	<b>24048</b>	XXP	131.0	95.0	1611	✓
150	1800	445TS	575	XP100	1MB21214DB213AG3	<b>21783</b>	XXP	136.0	95.8	1706	✓
150	1800	445T	575	XP100	1MB21214CB213AG3	<b>22391</b>	XXP	136.0	95.8	1934	✓
150	1200	447T	575	XP100	1MB21214CC313AG3	<b>26725</b>	XXP	138.0	95.8	2029	
150	900	449T	575	XP100	1MB21214CD513AG3	<b>36954</b>	XXP	144.0	94.1	2508	
200	3600	447TS	575	XP100	1MB21214DA313AG3	<b>30713</b>	XXP	173.0	95.4	2250	✓
200	1800	447TS	575	XP100	1MB21214DB313AG3	<b>26840</b>	XXP	182.0	96.2	2250	✓
200	1800	447T	575	XP100	1MB21214CB313AG3	<b>27448</b>	XXP	182.0	96.2	2314	✓
200	1200	449T	575	XP100	1MB21214CC513AG3	<b>31759</b>	XXP	182.0	95.8	2450	
200	900	449T	575	XP100	1MB21214CD613AG3	<b>39665</b>	XXP	192.0	94.5	2450	
250	3600	449TS	575	XP100	1MB21214DA513AG3	<b>37573</b>	XXP	212.0	95.8	2300	✓
250	1800	449TS 2)	575	XP100	1MB21214DB513AG3	<b>32273</b>	XXP	223.0	96.2	2453	✓
250	1200	449TS 2)	575	XP100	1MB21214DC613AG3	<b>38095</b>	XXP	225.0	95.8	2400	
300	3600	449TS	575	XP100	1MB21214DA613AG3	<b>55226</b>	XXP	250.0	95.8	2300	✓
300	1800	449TS 2)	575	XP100	1MB21214DB613AG3	<b>41475</b>	XXP	268.0	96.2	2315	✓

NEMA Premium® is a certification mark of the National Electrical Manufacturers Association.  
 QuikMOD Delivery for stocked motors only.  
 Shaded ratings indicated roller bearings.

2) NEMA design A  
 Stock availability subject to change.  
 900 RPM Motors meet or exceed EPAct efficiency.  
 Prices and Specifications are subject to change without notice.

Introduction  
 General Purpose Motors  
 Severe Duty Motors  
 Hazardous Duty Motors  
 Definite Purpose Motors  
 Special Features Detail  
 Options Selection and Pricing  
 Typical Performance Data  
 General Dimensions  
 Part Number Index

# SIMOTICS Explosion proof motors

XP100

Spare Parts

Class I, Groups C&D, Class II, Groups F&G, Division 1

## C-Face Bearing Housing

Frame	Motor Type	Part Number	Description		List Price \$
140TC	XP100	US2:3MSP210051601	Cast Iron	C-Face	155
180TC	XP100	US2:3MSP211051601	Cast Iron	C-Face	220
210TC	XP100	US2:3MSP212051601	Cast Iron	C-Face	297
250TC	XP100	US2:3MSP213051601	Cast Iron	C-Face	452
280TC	XP100	US2:3MSP710202101	Cast Iron	C-Face	542
320TC	XP100	US2:3MSP720202101	Cast Iron	C-Face	632
360TC	XP100	US2:3MSP730202101	Cast Iron	C-Face	941
400TC	XP100	US2:3MSP740202101	Cast Iron	C-Face	2063
444TC; 445TC	XP100	US2:3MSP750203501	Cast Iron	C-Face	2836
444TSC; 445TSC	XP100	US2:3MSP750203401	Cast Iron	C-Face	2836

## Bearings

Frame	Motor Type	Part Number	Description		List Price \$
140T	XP100	51601983005	DE/ODE	Bearing, 6205 ZZ C3 25BC02JPP3	41
180T	XP100	51601983006	DE/ODE	Bearing, 6206 ZZ C3 30BC02JPP3	51
210T	XP100	51601983008	DE/ODE	Bearing, 6208 ZZ C3 40BC02JPP3	91
250T	XP100	51601984009	DE/ODE	Bearing, 6309 ZZ C3 45BC03JPP3	177
280T	XP100	51601984010	DE/ODE	Bearing, 6310 ZZ C3 50BC03JPP3	212
320T	XP100	51601984012	DE/ODE	Bearing, 6312 ZZ C3 60BC03JPP3	273
360T	XP100	51601984014	DE/ODE	Bearing, 6314 ZZ C3 70BC03JPP3	429
400T	XP100	51601984016	DE/ODE	Bearing, 6316 ZZ C3 80BC03JPP3	680
B440T (TC/TD)	XP100	51601984018	DE	Bearing, 6318 ZZ C3 90BC03JPP3	918
444T, 445T (NU)	XP100	51674954018	DE	Bearing, NU 318 C3 90RU03M0	1138
447T, 449T (NU)	XP100	51674954020	DE	Bearing, NU 320 C3 100RU03M0	1138
440T (TC/TD); 440T (NU)	XP100	51601984016	ODE	Bearing, 6316 ZZ C3 80BC03JPP3	680
440TS (TSC/TSD)	XP100	51601984016	DE/ODE	Bearing, 6316 ZZ C3 80BC03JPP3	680

## Fan Housing

Frame	Motor Type	Part Number	Description		List Price \$
140T	XP100	US2:3MSP211055001		Fan Housing	116
180T	XP100	US2:3MSP211055001		Fan Housing	116
210T	XP100	US2:3MSP212055001		Fan Housing	255
250T	XP100	US2:3MSP213055001		Fan Housing	300
280T	XP100	US2:3MSP710205601		Fan Housing	498
320T	XP100	US2:3MSP720205601		Fan Housing	554
360T	XP100	US2:3MSP730205601		Fan Housing	670
360T	XP100	US2:3MSP730205901	Cast Iron	Grid	212
400T	XP100	US2:3MSP740205601		Fan Housing	900
400T	XP100	US2:3MSP730205901	Cast Iron	Grid	212
440T	XP100	51817031002	Cast Iron	Fan housing (Drip Cov. ready)	1146
440T	XP100	US2:3MSP750205901	Cast Iron	Grid	263

# SIMOTICS Explosion proof motors

## XP100

## Spare Parts

### Class I, Groups C&D, Class II, Groups F&G, Division 1

#### Fan Housing

Frame	Motor Type	Part Number	Description		List Price \$
140T	XP100	US2:3MSP210055401	Cast Iron	Fan housing for Drip Cover	212
180T	XP100	US2:3MSP211055401	Cast Iron	Fan housing for Drip Cover	260
210T	XP100	US2:3MSP212055401	Cast Iron	Fan housing for Drip Cover	295
250T	XP100	US2:3MSP213055401	Cast Iron	Fan housing for Drip Cover	472
280T	XP100	US2:3MSP710206301	Cast Iron	Fan housing for Drip Cover	702
320T	XP100	US2:3MSP720206301	Cast Iron	Fan housing for Drip Cover	670

#### Cooling Fan

Frame	Motor Type	Part Number	Description		List Price \$
180T	XP100	3MSG221079602	900	Cooling Fan	228
210T	XP100	3MSG223079603	900	Cooling Fan	268
250T	XP100	3MSG223079601	900	Cooling Fan	268
280T	XP100	51817700002	900	Cooling Fan	429
320T	XP100	51817700001	900	Cooling Fan	429
360T	XP100	51816861002	900	Cooling Fan	429
400T	XP100	51816861002	900	Cooling Fan	429
444T, 445T, 447T, 449T	XP100	51816861002	1200 - 100HP; 150HP	Cooling Fan	429
449T	XP100	51771077001	1200 - 200HP	Cooling Fan	429

140T	XP100	3MSG221079604	1200	Cooling Fan	228
180T	XP100	3MSG221079602	1200	Cooling Fan	228
210T	XP100	3MSG223079603	1200	Cooling Fan	268
250T	XP100	3MSG223079607	1200	Cooling Fan	348
280T	XP100	51817700005	1200	Cooling Fan	348
320T	XP100	51817700003	1200	Cooling Fan	402
360T	XP100	51816861004	1200	Cooling Fan	429
400T	XP100	51816861002	1200	Cooling Fan	429
444T, 445T, 447T, 449T	XP100	51816861002	1200 100 - 200HP	Cooling Fan	429
449T	XP100	51771077001	1200 - 250HP	Cooling Fan	429

140T	XP100	3MSG221079604	1800	Cooling Fan	228
180T	XP100	3MSG221079602	1800	Cooling Fan	228
210T	XP100	3MSG223079607	1800	Cooling Fan	348
250T	XP100	3MSG223079603	1800	Cooling Fan	268
280T	XP100	51817700006	1800	Cooling Fan	348
320T	XP100	51817700005	1800	Cooling Fan	348
360T	XP100	51816861005	1800	Cooling Fan	429
400T	XP100	51816861004	1800	Cooling Fan	429
444T, 445T, 447T	XP100	51816861003	1800 125 - 200HP	Cooling Fan	429
449T	XP100	51771077001	1800 250HP; 300HP	Cooling Fan	429

# SIMOTICS Explosion proof motors

XP100

Spare Parts

Class I, Groups C&D, Class II, Groups F&G, Division 1

## Cooling Fan

Frame	Motor Type	Part Number	Description		List Price \$
140T	XP100	3MSG221079606	3600	Cooling Fan	228
180T	XP100	3MSG221079604	3600	Cooling Fan	228
210T	XP100	3MSG223079610	3600	Cooling Fan	268
250T	XP100	3MSG223079610	3600	Cooling Fan	268
280TS	XP100	51817700007	3600	Cooling Fan	281
320TS	XP100	51817700006	3600	Cooling Fan	348
360T	XP100	51816861005	3600	Cooling Fan	429
400TS	XP100	51816861005	3600	Cooling Fan	429
444TS, 445TS	XP100	51816861005	3600 -125HP & 150HP	Cooling Fan	429
447TS, 449TS	XP100	51816861004	3600 -200HP & 250HP	Cooling Fan	429
449TS	XP100	51816861003	3600- 300HP	Cooling Fan	429

## Drip Cover

Frame	Motor Type	Part Number	Description		List Price \$
140T	XP100	3MSP223080701	Cast Iron	Drip Cover	174
180T	XP100	3MSP223080702	Cast Iron	Drip Cover	207
210T	XP100	3MSP223080703	Cast Iron	Drip Cover	223
250T	XP100	3MSP223080704	Cast Iron	Drip Cover	249
280T	XP100	51770675004	Cast Iron	Drip Cover	260
320T	XP100	51770675003	Cast Iron	Drip Cover	276
360T	XP100	51770675001	Cast Iron	Drip Cover	276
400T	XP100	51770675001	Cast Iron	Drip Cover	276
440T	XP100	51770675002	Cast Iron	Drip Cover	287

## Main Terminal Box

Frame	Motor Type	Part Number	Description		List Price \$
140T	XP100	US2:3MSG211054301	Cast Iron	Conduit Box	378
180T	XP100	US2:3MSG211054301	Cast Iron	Conduit Box	378
210T	XP100	US2:3MSG212054301	Cast Iron	Conduit Box	456
250T	XP100	US2:3MSG212054304	Cast Iron	Conduit Box	552
280T	XP100	US2:3MSG212054307	Cast Iron	Conduit Box	552
320T	XP100	US2:3MSG720204901	Cast Iron	Conduit Box	935
360T	XP100	US2:3MSG720204904	Cast Iron	Conduit Box	935
400T; 444T; 445T; 447T	XP100	US2:3MSG740204901	Cast Iron	Conduit Box	935
449T	XP100	US2:3MSG750205301	Cast Iron	Conduit Box	935

# SIMOTICS Explosion proof motors

## XP100 ID1

XP100 ID1 explosion-proof motors are designed to meet demanding standards of performance and provide long life under oil field operating conditions. They are UL® listed and CSA certified for Class I, Division 1, Group D and Class I, Zone 1, Group IIA hazardous locations and meet the requirements of IP55 for enclosure protection.



**NEMA Premium**



**3 YEAR WARRANTY**



HP range	Frame Size	<b>1-300 HP</b> 143T-449T
Efficiency	NEMA Premium® Plus NEMA Premium®	143T-449T
Voltage 1)	208-230 / 460 V 230 / 460 V 460 V 575 V	<b>3 phase 60Hz</b> 1-20HP 10-100HP 125-300HP 1-300HP
Insulation	Insulation Class F Service Factor @ 40°C Temperature rise (Sine wave)	<b>NEMA design B 2)</b> NEMA MG1 Part 31 1.15 Class B @ 1.0SF Class F @ 1.15SF
Frame	8 hole feet Condensation drains High strength carbon steel Shaft V ring slinger – IP65 Inpro/Seal® Bearing Isolator - IP66	<b>Cast iron</b> Casted 284-449T                      UL Approved C1045 DE & NDE available upon request
Stator/Windings rotor	Stator Rotor, die cast aluminum	Random wound copper 143T-449T
Conduit box	Cast iron Seal leads	143T-449T 143T-449T
Bearings	Double shielded Bearing housing Inlet / relief fittings	143T-449T Cast iron                      Bearing caps Alemite / plug
Fan and fan cover	Cast iron Bidirectional fan	143T-449T 143T-449T                      Polypropylene
Hardware	Nameplate Lifting eyebolt Paint	<b>Rust resistant</b> Zinc plated grade 5 only Stainless steel engraved Included above 75 lbs. Alkyd Modified -RAL7030
Inverter duty	Variable torque 100:1 Constant torque 4:1	143T-449T 143T-449T
Hazardous classification	Service factor 1.0 Service factor 1.15	UL - 143T-449T (up to 55°C) Class I, Group D Division 1 T2A - temperature code 3) T2D - temperature code

NEMA Premium® is a certification mark of the National Electrical Manufacturers Association.

1) Standard voltage for stock items, see option selection and pricing section for additional voltages.

2) NEMA design A: 250HP and 300HP, 4 and 6 pole.

3) Available on request.

# SIMOTICS Explosion proof motors

XP100 ID1

NEMA Premium®  
Class 1, Group D, Division 1

460V 60Hz - Foot mounted

HP	RPM	Frame	Voltage	Type	Part Number	List Price \$	Mult. Symb.	FL Amps	FL Nom Eff. (%)	Lbs	Stock
1	1800	143T	208-230/460	XP100 ID1	1MB22211AB214AA3	779	DXP	1.4	85.5	77	✓
1	1200	145T	208-230/460	XP100 ID1	1MB22211AC314AA3	905	DXP	1.6	82.5	88	✓
1.5	3600	143T	208-230/460	XP100 ID1	1MB22211AA214AA3	810	DXP	2.0	84.0	55	
1.5	1800	145T	208-230/460	XP100 ID1	1MB22211AB314AA3	833	DXP	2.1	86.5	88	✓
1.5	1200	182T	208-230/460	XP100 ID1	1MB22211CC114AA3	984	DXP	2.4	87.5	105	✓
2	3600	145T	208-230/460	XP100 ID1	1MB22211AA314AA3	918	DXP	2.5	85.5	65	✓
2	1800	145T	208-230/460	XP100 ID1	1MB22211AB414AA3	888	DXP	2.7	86.5	88	✓
2	1200	184T	208-230/460	XP100 ID1	1MB22211CC314AA3	1108	DXP	3.2	88.5	125	✓
3	3600	182T	208-230/460	XP100 ID1	1MB22211CA114AA3	999	DXP	3.8	86.5	88	✓
3	1800	182T	208-230/460	XP100 ID1	1MB22211CB114AA3	995	DXP	4.0	89.5	110	✓
3	1200	213T	208-230/460	XP100 ID1	1MB22212AC114AA3	1345	DXP	4.3	89.5	173	✓
5	3600	184T	208-230/460	XP100 ID1	1MB22211CA314AA3	1326	DXP	6.0	88.5	105	✓
5	1800	184T	208-230/460	XP100 ID1	1MB22211CB314AA3	1211	DXP	6.4	89.5	125	✓
5	1200	215T	208-230/460	XP100 ID1	1MB22212AC214AA3	1903	DXP	6.7	89.5	180	✓
7.5	3600	213T	208-230/460	XP100 ID1	1MB22212AA114AA3	1489	DXP	8.8	89.5	165	✓
7.5	1800	213T	208-230/460	XP100 ID1	1MB22212AB114AA3	1481	DXP	9.7	91.7	185	✓
7.5	1200	254T	208-230/460	XP100 ID1	1MB22212BC114AA3	2292	DXP	10.0	91.0	285	✓
10	3600	215T	208-230/460	XP100 ID1	1MB22212AA214AA3	1717	DXP	11.5	90.2	173	✓
10	1800	215T	208-230/460	XP100 ID1	1MB22212AB214AA3	1750	DXP	12.5	91.7	187	✓
10	1200	256T	208-230/460	XP100 ID1	1MB22212BC214AA3	2767	DXP	13.5	91.0	308	✓
15	3600	254T	208-230/460	XP100 ID1	1MB22212BA114AA3	2322	DXP	17.5	91.0	283	✓
15	1800	254T	208-230/460	XP100 ID1	1MB22212BB114AA3	2290	DXP	19.0	92.4	303	✓
15	1200	284T	230/460	XP100 ID1	1MB22212CC116AA3	3814	DXP	21.0	91.7	481	✓
20	3600	256T	208-230/460	XP100 ID1	1MB22212BA214AA3	2857	DXP	22.5	91.0	308	✓
20	1800	256T	208-230/460	XP100 ID1	1MB22212BB214AA3	2829	DXP	25.0	93.0	340	✓
20	1200	286T	230/460	XP100 ID1	1MB22212CC216AA3	4638	DXP	27.0	91.7	506	✓
25	3600	284TS	230/460	XP100 ID1	1MB22212DA116AA3	3526	DXP	29.0	91.7	530	✓
25	1800	284T	230/460	XP100 ID1	1MB22212CB116AA3	3396	DXP	30.0	93.6	501	✓
25	1200	324T	230/460	XP100 ID1	1MB22213AC116AA3	5584	DXP	33.0	93.0	713	✓

NEMA Premium® is a certification mark of the National Electrical Manufacturers Association.  
QuikMOD Delivery for stocked motors only.

Stock availability subject to change.  
Prices and Specifications are subject to change without notice.  
DOE#CC032A



# SIMOTICS Explosion proof motors

## XP100 ID1

## NEMA Premium® Class 1, Group D, Division 1

### 460V 60Hz - Foot mounted

HP	RPM	Frame	Voltage	Type	Part Number	List Price \$	Mult. Symb.	FL Amps	FL Nom Eff. (%)	Lbs	Stock
30	3600	286TS	230/460	XP100 ID1	1MB22212DA216AA3	4110	DXP	34.0	91.7	525	✓
30	1800	286T	230/460	XP100 ID1	1MB22212CB216AA3	3940	DXP	35.0	93.6	521	✓
30	1200	326T	230/460	XP100 ID1	1MB22213AC216AA3	6449	DXP	39.0	93.0	678	✓
40	3600	324TS	230/460	XP100 ID1	1MB22213BA116AA3	5211	DXP	45.0	93.6	615	✓
40	1800	324T	230/460	XP100 ID1	1MB22213AB116AA3	5028	DXP	46.0	94.1	653	✓
40	1200	364T	230/460	XP100 ID1	1MB22213CC116AA3	8296	DXP	49.0	94.1	835	✓
50	3600	326TS	230/460	XP100 ID1	1MB22213BA216AA3	6636	DXP	55.0	93.6	615	✓
50	1800	326T	230/460	XP100 ID1	1MB22213AB216AA3	6116	DXP	58.0	94.5	687	✓
50	1200	365T	230/460	XP100 ID1	1MB22213CC216AA3	9567	DXP	62.0	94.1	870	✓
60	3600	364TS	230/460	XP100 ID1	1MB22213DA116AA3	8675	DXP	68.0	93.6	790	✓
60	1800	364T	230/460	XP100 ID1	1MB22213CB116AA3	8611	DXP	68.0	95.0	890	✓
60	1200	404T	230/460	XP100 ID1	1MB22214AC116AA3	11445	DXP	74.0	94.5	1055	✓
75	3600	365TS	230/460	XP100 ID1	1MB22213DA216AA3	10490	DXP	86.0	94.1	900	✓
75	1800	365T	230/460	XP100 ID1	1MB22213CB216AA3	10498	DXP	85.0	95.4	960	✓
75	1200	405T	230/460	XP100 ID1	1MB22214AC216AA3	13033	DXP	93.0	94.5	1025	✓
100	3600	405TS	230/460	XP100 ID1	1MB22214BA216AA3	14644	DXP	108.0	94.1	1020	✓
100	1800	405T	230/460	XP100 ID1	1MB22214AB216AA3	13641	DXP	113.0	95.4	1115	✓
100	1200	444T	230/460	XP100 ID1	1MB22214CC116AA3	18789	DXP	117.0	95.0	1551	
100	1200	444T	230/460	XP100 ID1	1MB22214EC116AA3	18181	DXP	117.0	95.0	1513	✓
125	3600	444TS	460	XP100 ID1	1MB22214DA112AA3	17760	DXP	138.0	95.0	1450	✓
125	1800	444T	460	XP100 ID1	1MB22214CB112AA3	17254	DXP	143.0	95.4	1659	
125	1800	444T	460	XP100 ID1	1MB22214EB112AA3	16646	DXP	143.0	95.4	1621	✓
125	1200	445T	460	XP100 ID1	1MB22214CC212AA3	21013	DXP	144.0	95.0	1771	✓
125	1200	445T	460	XP100 ID1	1MB22214EC212AA3	20405	DXP	144.0	95.0	1733	✓
150	3600	445TS	460	XP100 ID1	1MB22214DA212AA3	21743	DXP	164.0	95.0	1611	✓
150	1800	445T	460	XP100 ID1	1MB22214CB212AA3	20369	DXP	170.0	95.8	1934	✓
150	1800	445T	460	XP100 ID1	1MB22214EB212AA3	19761	DXP	170.0	95.8	1896	✓
150	1200	447T	460	XP100 ID1	1MB22214CC312AA3	24055	DXP	172.0	95.8	2029	✓
150	1200	447T	460	XP100 ID1	1MB22214EC312AA3	23447	DXP	172.0	95.8	1991	✓
200	3600	447TS	460	XP100 ID1	1MB22214DA312AA3	27361	DXP	216.0	95.4	2250	✓
200	1800	447T	460	XP100 ID1	1MB22214CB312AA3	24601	DXP	228.0	96.2	2314	✓
200	1800	447T	460	XP100 ID1	1MB22214EB312AA3	23993	DXP	228.0	96.2	2276	✓
200	1200	449T	460	XP100 ID1	1MB22214CC512AA3	28163	DXP	227.0	95.8	2450	✓
200	1200	449T	460	XP100 ID1	1MB22214EC512AA3	27555	DXP	227.0	95.8	2440	✓
250	3600	449TS	460	XP100 ID1	1MB22214DA512AA3	32434	DXP	265.0	95.8	2300	
250	1800	449T <sup>1)</sup>	460	XP100 ID1	1MB22214CB512AA3	28562	DXP	278.0	96.2	2453	
250	1800	449T <sup>1)</sup>	460	XP100 ID1	1MB22214EB512AA3	27954	DXP	278.0	96.2	2453	
300	3600	449TS	460	XP100 ID1	1MB22214DA612AA3	41503	DXP	325.0	95.8	2300	
300	1800	449T <sup>1)</sup>	460	XP100 ID1	1MB22214CB612AA3	31882	DXP	338.0	96.2	2350	
300	1800	449T <sup>1)</sup>	460	XP100 ID1	1MB22214EB612AA3	31274	DXP	338.0	96.2	2340	

NEMA Premium® is a certification mark of the National Electrical Manufacturers Association.  
QuikMOD Delivery for stocked motors only.  
Shaded ratings indicated roller bearings.

Stock availability subject to change.  
Prices and Specifications are subject to change without notice.  
DOE#CC032A

Introduction  
General Purpose Motors  
Severe Duty Motors  
Hazardous Duty Motors  
Definite Purpose Motors  
Special Features Detail  
Options Selection and Pricing  
Typical Performance Data  
General Dimensions  
Part Number Index

# SIMOTICS Explosion proof motors

XP100 ID1

NEMA Premium®  
Class 1, Group D, Division 1

460V 60Hz - C-face footless without drip cover

HP	RPM	Frame	Voltage	Type	Part Number	List Price \$	Mult. Symb.	FL Amps	FL Nom Eff. (%)	Lbs	Stock
1	1800	143TC	230/460	XP100 ID1	1MB22211AB216GA3	<b>869</b>	DXP	1.4	85.5	82	✓
1.5	1800	145TC	230/460	XP100 ID1	1MB22211AB316GA3	<b>923</b>	DXP	2.1	86.5	93	✓
2	1800	145TC	230/460	XP100 ID1	1MB22211AB416GA3	<b>978</b>	DXP	2.7	86.5	93	✓
3	1800	182TC	230/460	XP100 ID1	1MB22211CB116GA3	<b>1127</b>	DXP	4.0	89.5	109	✓
5	1800	184TC	230/460	XP100 ID1	1MB22211CB316GA3	<b>1343</b>	DXP	6.4	89.5	124	✓
7.5	1800	213TC	230/460	XP100 ID1	1MB22212AB116GA3	<b>1613</b>	DXP	9.7	91.7	183	✓
10	1800	215TC	230/460	XP100 ID1	1MB22212AB216GA3	<b>1882</b>	DXP	12.5	91.7	185	✓
15	1800	254TC	230/460	XP100 ID1	1MB22212BB116GA3	<b>2470</b>	DXP	19.0	92.4	301	✓
20	1800	256TC	230/460	XP100 ID1	1MB22212BB216GA3	<b>3009</b>	DXP	25.0	93.0	338	✓
25	1800	284TC	230/460	XP100 ID1	1MB22212CB116GA3	<b>4335</b>	DXP	30.0	93.6	504	✓
30	1800	286TC	230/460	XP100 ID1	1MB22212CB216GA3	<b>4879</b>	DXP	35.0	93.6	524	✓

NEMA Premium® is a certification mark of the National Electrical Manufacturers Association.  
QuikMOD Delivery for stocked motors only.  
Shaded ratings indicated roller bearings.

1) NEMA Design A  
Stock availability subject to change.  
Prices and Specifications are subject to change without notice.  
DOE#CC032A

# SIMOTICS Explosion proof motors

## XP100 ID1

## NEMA Premium® Class 1, Group D, Division 1

### 575V 60Hz - Foot mounted

HP	RPM	Frame	Voltage	Type	Part Number	List Price \$	Mult. Symb.	FL Amps	FL Nom Eff. (%)	Lbs	Stock
2	1800	145T	575	XP100 ID1	1MB22211AB413AA3	888	DXP	2.2	86.5	88	✓
3	1800	182T	575	XP100 ID1	1MB22211CB113AA3	995	DXP	3.2	89.5	110	✓
5	1800	184T	575	XP100 ID1	1MB22211CB313AA3	1211	DXP	5.1	89.5	125	✓
7.5	1800	213T	575	XP100 ID1	1MB22212AB113AA3	1481	DXP	7.8	91.7	185	✓
10	1800	215T	575	XP100 ID1	1MB22212AB213AA3	1750	DXP	10.0	91.7	187	✓
15	1800	254T	575	XP100 ID1	1MB22212BB113AA3	2290	DXP	15.0	92.4	303	✓
20	1800	256T	575	XP100 ID1	1MB22212BB213AA3	2829	DXP	20.0	93.0	340	✓
25	1800	284T	575	XP100 ID1	1MB22212CB113AA3	3396	DXP	24.0	93.6	501	✓
30	1800	286T	575	XP100 ID1	1MB22212CB213AA3	3940	DXP	28.0	93.6	521	✓
40	1800	324T	575	XP100 ID1	1MB22213AB113AA3	5028	DXP	37.0	94.1	653	✓
50	1800	326T	575	XP100 ID1	1MB22213AB213AA3	6116	DXP	46.0	94.5	687	✓
60	1800	364T	575	XP100 ID1	1MB22213CB113AA3	8611	DXP	54.5	95.0	890	✓
75	1800	365T	575	XP100 ID1	1MB22213CB213AA3	10498	DXP	85.0	95.4	960	✓
100	1800	405T	575	XP100 ID1	1MB22214AB213AA3	13641	DXP	90.5	95.4	1115	✓
125	1800	444T	575	XP100 ID1	1MB22214CB113AA3	17254	DXP	115.0	95.4	1659	✓
125	1800	444T	575	XP100 ID1	1MB22214EB113AA3	16646	DXP	115.0	95.4	1621	✓
150	1800	445T	575	XP100 ID1	1MB22214CB213AA3	20369	DXP	136.0	95.8	1934	✓
150	1800	445T	575	XP100 ID1	1MB22214EB213AA3	19761	DXP	136.0	95.8	1896	✓

NEMA Premium® is a certification mark of the National Electrical Manufacturers Association.  
 QuikMOD Delivery for stocked motors only.  
 Shaded ratings indicated roller bearings.

Stock availability subject to change.  
 Prices and Specifications are subject to change without notice.  
 DOE#CC032A

# SIMOTICS Explosion proof motors

## XP100 ID1

## Spare Parts Class 1, Group D, Division 1

### C-Face Bearing Housing

Frame	Motor Type	Part Number	Description		List Price \$
140TC	XP100 ID1	US2:3MSP210051601	Cast Iron	C-Face	155
180TC	XP100 ID1	US2:3MSP211051601	Cast Iron	C-Face	220
210TC	XP100 ID1	US2:3MSP212051601	Cast Iron	C-Face	297
250TC	XP100 ID1	US2:3MSP213051601	Cast Iron	C-Face	452
280TC	XP100 ID1	US2:3MSP710202101	Cast Iron	C-Face	542
320TC	XP100 ID1	US2:3MSP720202101	Cast Iron	C-Face	632
360TC	XP100 ID1	US2:3MSP730202101	Cast Iron	C-Face	941
400TC	XP100 ID1	US2:3MSP740202101	Cast Iron	C-Face	2063
444TC; 445TC	XP100 ID1	US2:3MSP750203501	Cast Iron	C-Face	2836
444TSC; 445TSC	XP100 ID1	US2:3MSP750203401	Cast Iron	C-Face	2836
449TS	XP100	51816861003	3600 - 300HP	Cooling Fan	429

### Bearings

Frame	Motor Type	Part Number	Description		List Price \$
140T	XP100 ID1	51601983005	DE/ODE	Bearing, 6205 ZZ C3 25BC02JPP3	41
180T	XP100 ID1	51601983006	DE/ODE	Bearing, 6206 ZZ C3 30BC02JPP3	51
210T	XP100 ID1	51601983008	DE/ODE	Bearing, 6208 ZZ C3 40BC02JPP3	91
250T	XP100 ID1	51601984009	DE/ODE	Bearing, 6309 ZZ C3 45BC03JPP3	177
280T	XP100 ID1	51601984010	DE/ODE	Bearing, 6310 ZZ C3 50BC03JPP3	212
320T	XP100 ID1	51601984012	DE/ODE	Bearing, 6312 ZZ C3 60BC03JPP3	273
360T	XP100 ID1	51601984014	DE/ODE	Bearing, 6314 ZZ C3 70BC03JPP3	429
400T	XP100 ID1	51601984016	DE/ODE	Bearing, 6316 ZZ C3 80BC03JPP3	680
B440T (TC/TD)	XP100 ID1	51601984018	DE	Bearing, 6318 ZZ C3 90BC03JPP3	918
444T, 445T (NU)	XP100 ID1	51674954018	DE.	Bearing, NU 318 C3 90RU03M0	1138
447T, 449T (NU)	XP100 ID1	51674954020	DE.	Bearing, NU 320 C3 100RU03M0	1138
440T (TC/TD); 440T (NU)	XP100 ID1	51601984016	ODE.	Bearing, 6316 ZZ C3 80BC03JPP3	680
440TS (TSC/TSD)	XP100 ID1	51601984016	DE/ODE.	Bearing, 6316 ZZ C3 80BC03JPP3	680

### Fan Housing

Frame	Motor Type	Part Number	Description		List Price \$
140T	XP100 ID1	US2:3MSP211055001		Fan Housing	116
180T	XP100 ID1	US2:3MSP211055001		Fan Housing	116
210T	XP100 ID1	US2:3MSP212055001		Fan Housing	255
250T	XP100 ID1	US2:3MSP213055001		Fan Housing	300
280T	XP100 ID1	US2:3MSP710205601		Fan Housing	498
320T	XP100 ID1	US2:3MSP720205601		Fan Housing	554
360T	XP100 ID1	US2:3MSP730205601		Fan Housing	670
360T	XP100 ID1	US2:3MSP730205901	Cast Iron	Grid	212
400T	XP100 ID1	US2:3MSP740205601		Fan Housing	900
400T	XP100 ID1	US2:3MSP730205901	Cast Iron	Grid	212
440T	XP100 ID1	51817031002	Cast Iron	Fan housing (Drip Cov. ready)	1146
440T	XP100 ID1	US2:3MSP750205901	Cast Iron	Grid	263

# SIMOTICS Explosion proof motors

## XP100 ID1

## Spare Parts Class 1, Group D, Division 1

### Fan Housing

Frame	Motor Type	Part Number	Description		List Price \$
140T	XP100 ID1	US2:3MSP210055401	Cast Iron	Fan housing for Drip Cover	212
180T	XP100 ID1	US2:3MSP211055401	Cast Iron	Fan housing for Drip Cover	260
210T	XP100 ID1	US2:3MSP212055401	Cast Iron	Fan housing for Drip Cover	295
250T	XP100 ID1	US2:3MSP213055401	Cast Iron	Fan housing for Drip Cover	472
280T	XP100 ID1	US2:3MSP710206301	Cast Iron	Fan housing for Drip Cover	702
320T	XP100 ID1	US2:3MSP720206301	Cast Iron	Fan housing for Drip Cover	670

### Cooling Fan

Frame	Motor Type	Part Number	Description		List Price \$
180T	XP100 ID1	3MSG221079602	900	Cooling Fan	228
210T	XP100 ID1	3MSG223079603	900	Cooling Fan	268
250T	XP100 ID1	3MSG223079601	900	Cooling Fan	268
280T	XP100 ID1	51817700002	900	Cooling Fan	429
320T	XP100 ID1	51817700001	900	Cooling Fan	429
360T	XP100 ID1	51816861002	900	Cooling Fan	429
400T	XP100 ID1	51816861002	900	Cooling Fan	429
444T, 445T, 447T, 449T	XP100 ID1	51816861002	1200 - 100HP to 150HP	Cooling Fan	429
449T	XP100 ID1	51771077001	1200 - 200HP	Cooling Fan	429

140T	XP100 ID1	3MSG221079604	1200	Cooling Fan	228
180T	XP100 ID1	3MSG221079602	1200	Cooling Fan	228
210T	XP100 ID1	3MSG223079603	1200	Cooling Fan	268
250T	XP100 ID1	3MSG223079607	1200	Cooling Fan	348
280T	XP100 ID1	51817700005	1200	Cooling Fan	348
320T	XP100 ID1	51817700003	1200	Cooling Fan	402
360T	XP100 ID1	51816861004	1200	Cooling Fan	429
400T	XP100 ID1	51816861002	1200	Cooling Fan	429
444T, 445T, 447T, 449T	XP100 ID1	51816861002	1200 - 100HP to 200HP	Cooling Fan	429
449T	XP100 ID1	51771077001	1200 - 250HP	Cooling Fan	429

140T	XP100 ID1	3MSG221079604	1800	Cooling Fan	228
180T	XP100 ID1	3MSG221079602	1800	Cooling Fan	228
210T	XP100 ID1	3MSG223079607	1800	Cooling Fan	348
250T	XP100 ID1	3MSG223079603	1800	Cooling Fan	268
280T	XP100 ID1	51817700006	1800	Cooling Fan	348
320T	XP100 ID1	51817700005	1800	Cooling Fan	348
360T	XP100 ID1	51816861005	1800	Cooling Fan	429
400T	XP100 ID1	51816861004	1800	Cooling Fan	429
444T, 445T, 447T	XP100 ID1	51816861003	1800 125HP to 200HP	Cooling Fan	429
449T	XP100 ID1	51771077001	1800- 250HP & 300HP	Cooling Fan	429

# SIMOTICS Explosion proof motors

XP100 ID1

Spare Parts  
Class 1, Group D, Division 1

## Cooling Fan

Frame	Motor Type	Part Number	Description		List Price \$
140T	XP100 ID1	3MSG221079606	3600	Cooling Fan	228
180T	XP100 ID1	3MSG221079604	3600	Cooling Fan	228
210T	XP100 ID1	3MSG223079610	3600	Cooling Fan	268
250T	XP100 ID1	3MSG223079610	3600	Cooling Fan	268
280TS	XP100 ID1	51817700007	3600	Cooling Fan	281
320TS	XP100 ID1	51817700006	3600	Cooling Fan	348
360T	XP100 ID1	51816861005	3600	Cooling Fan	429
400TS	XP100 ID1	51816861005	3600	Cooling Fan	429
444TS, 445TS	XP100 ID1	51816861005	3600 -125HP & 150HP	Cooling Fan	429
447TS, 449TS	XP100 ID1	51816861004	3600 -200HP & 250HP	Cooling Fan	429
449TS	XP100 ID1	51816861003	3600- 300HP	Cooling Fan	429

## Drip Cover

Frame	Motor Type	Part Number	Description		List Price \$
140T	XP100 ID1	3MSP223080701	Cast Iron	Drip Cover	174
180T	XP100 ID1	3MSP223080702	Cast Iron	Drip Cover	207
210T	XP100 ID1	3MSP223080703	Cast Iron	Drip Cover	223
250T	XP100 ID1	3MSP223080704	Cast Iron	Drip Cover	249
280T	XP100 ID1	51770675004	Cast Iron	Drip Cover	260
320T	XP100 ID1	51770675003	Cast Iron	Drip Cover	276
360T	XP100 ID1	51770675001	Cast Iron	Drip Cover	276
400T	XP100 ID1	51770675001	Cast Iron	Drip Cover	276
440T	XP100 ID1	51770675002	Cast Iron	Drip Cover	287

## Main Terminal Box

Frame	Motor Type	Part Number	Description		List Price \$
140T	XP100 ID1	US2:3MSG211054301	Cast Iron	Conduit Box	378
180T	XP100 ID1	US2:3MSG211054301	Cast Iron	Conduit Box	378
210T	XP100 ID1	US2:3MSG212054301	Cast Iron	Conduit Box	456
250T	XP100 ID1	US2:3MSG212054304	Cast Iron	Conduit Box	552
280T	XP100 ID1	US2:3MSG212054307	Cast Iron	Conduit Box	552
320T	XP100 ID1	US2:3MSG720204901	Cast Iron	Conduit Box	935
360T	XP100 ID1	US2:3MSG720204904	Cast Iron	Conduit Box	935
400T; 444T; 445T; 447T	XP100 ID1	US2:3MSG740204901	Cast Iron	Conduit Box	935
449T	XP100 ID1	US2:3MSG750205301	Cast Iron	Conduit Box	935

# SIMOTICS Definite purpose motors

## SD10 MS

## 4/8 Poles 1 Winding Variable Torque 1 Winding Variable Torque

**SD10 MS** high efficiency, severe duty, multi-speed motors are ideal for both indoor and outdoor below deck applications and in severe duty operating atmospheres, such as cooling towers, that require more than one base speed. They meet or exceed NEMA and CSA standards and the operational standards for severe operating environments.



HP range	Frame Size	<b>1-250 HP</b> 143T-449T
Efficiency	Standard Efficiency	143T-449T
Voltage 1)	460 V 575 V	<b>3 phase 60Hz</b> 1-200HP 1-200HP
Insulation	Insulation Class F Service Factor @ 40°C Temperature rise (Sine wave)	<b>NEMA design B</b> NEMA MG1 Part 31 1.0 Class B @ 1.0SF Class F @ 1.15SF
Frame	8 hole feet Condensation drains High strength carbon steel Shaft V ring slinger – IP54	<b>Cast iron</b> Casted single hole for 250T&280T frames. T Drains Two on lowest point in frame C1045 DE & NDE
Stator/Windings rotor	Stator Rotor, die cast aluminum	Random wound copper 143T-449T
Conduit box	Cast iron Neoprene gasket	143T-449T 143T-449T
Bearings	Double shielded Single shielded Bearing housing Inlet / relief fittings	143T-256T 284T-449T Cast iron Alemite / plug      Bearing caps
Fan and fan cover	Cast iron Bidirectional fan	143T-449T 143T-449T      Polypropylene
Hardware	Nameplate Lifting eyebolt Paint	<b>Rust resistant</b> Zinc plated Stainless steel engraved Included above 75 lbs. Alkyd Modified - RAL7030
Inverter duty	Variable torque 20:1	143T-449T
Hazardous classification	Service factor 1.0 Service factor 1.15	<b>NA</b>

NEMA Premium® is a certification mark of the National Electrical Manufacturers Association.

1) Standard voltage for stock items, see option selection and pricing section for additional voltages.

# SIMOTICS Definite purpose motors

## SD10 MS (Multi-speed)

## 1 Winding variable torque

### 460V 60Hz - Foot mounted

HP		RPM		Frame	Voltage	Type	Part Number	List Price \$	Mult. Symb.
High	Low	High	Low						
1	0.25	1800	900	143T	460	SD10 MS	1LE23011AM240AA3	772	SD4
1.5	0.37	1800	900	145T	460	SD10 MS	1LE23011AM340AA3	856	SD4
2	0.5	1800	900	182T	460	SD10 MS	1LE23011CM140AA3	948	SD4
3	0.75	1800	900	184T	460	SD10 MS	1LE23011CM340AA3	1052	SD4
5	1.2	1800	900	184T	460	SD10 MS	1LE23011CM440AA3	1183	SD4
5	1.2	1800	900	213T	460	SD10 MS	1LE23012AM140AA3	1229	SD4
7.5	1.9	1800	900	215T	460	SD10 MS	1LE23012AM240AA3	1617	SD4
10	2.5	1800	900	254T	460	SD10 MS	1LE23012BM140AA3	2006	SD4
15	3.7	1800	900	256T	460	SD10 MS	1LE23012BM240AA3	2642	SD4
20	5	1800	900	284T	460	SD10 MS	1LE23012CM140AA3	3293	SD4
25	6.2	1800	900	286T	460	SD10 MS	1LE23012CM240AA3	3905	SD4
30	7.5	1800	900	324T	460	SD10 MS	1LE23013AM140AA3	4552	SD4
40	10	1800	900	326T	460	SD10 MS	1LE23013AM240AA3	6047	SD4
50	12	1800	900	364T	460	SD10 MS	1LE23013CM140AA3	7427	SD4
60	15	1800	900	365T	460	SD10 MS	1LE23013CM240AA3	10655	SD4
75	19	1800	900	405T	460	SD10 MS	1LE23014AM240AA3	13506	SD4
100	25	1800	900	444TS	460	SD10 MS	1LE23014DM140AA3	15263	SD4
100	25	1800	900	444T	460	SD10 MS	1LE23014CM140AA3	15871	SD4
100	25	1800	900	B444T	460	SD10 MS	1LE23014EM140AA3	15263	SD4
125	31	1800	900	445TS	460	SD10 MS	1LE23014DM240AA3	19439	SD4
125	31	1800	900	445T	460	SD10 MS	1LE23014CM240AA3	20047	SD4
125	31	1800	900	B445T	460	SD10 MS	1LE23014EM240AA3	19439	SD4
150	37	1800	900	447TS	460	SD10 MS	1LE23014DM340AA3	23463	SD4
150	37	1800	900	447T	460	SD10 MS	1LE23014CM340AA3	24071	SD4
150	37	1800	900	B447T	460	SD10 MS	1LE23014EM340AA3	23463	SD4
200	50	1800	900	449TS	460	SD10 MS	1LE23014DM540AA3	28213	SD4
200	50	1800	900	449T	460	SD10 MS	1LE23014CM540AA3	28821	SD4
200	50	1800	900	B449T	460	SD10 MS	1LE23014EM540AA3	28213	SD4
250	62.5	1800	900	449TS	460	SD10 MS	1LE23014DM640AA3	38956	SD4
250	62.5	1800	900	449T	460	SD10 MS	1LE23014CM640AA3	39564	SD4
250	62.5	1800	900	B449T	460	SD10 MS	1LE23014EM640AA3	38956	SD4

### 575V 60Hz - Foot mounted

HP		RPM		Frame	Voltage	Type	Part Number	List Price \$	Mult. Symb.
High	Low	High	Low						
25	6.2	1800	900	286T	575	SD10 MS	1LE23012CM244AA3	3905	SD4
30	7.5	1800	900	324T	575	SD10 MS	1LE23013AM144AA3	4552	SD4
40	10	1800	900	326T	575	SD10 MS	1LE23013AM244AA3	6047	SD4
50	12	1800	900	364T	575	SD10 MS	1LE23013CM144AA3	7427	SD4
60	15	1800	900	365T	575	SD10 MS	1LE23013CM244AA3	10655	SD4
75	19	1800	900	405T	575	SD10 MS	1LE23014AM244AA3	13506	SD4
100	25	1800	900	444TS	575	SD10 MS	1LE23014DM144AA3	15263	SD4
100	25	1800	900	B444T	575	SD10 MS	1LE23014EM144AA3	15263	SD4
125	31	1800	900	445TS	575	SD10 MS	1LE23014DM244AA3	19439	SD4
125	31	1800	900	B445T	575	SD10 MS	1LE23014EM244AA3	19439	SD4
150	37	1800	900	447TS	575	SD10 MS	1LE23014DM344AA3	23463	SD4
150	37	1800	900	B447T	575	SD10 MS	1LE23014EM344AA3	23463	SD4
200	50	1800	900	449TS	575	SD10 MS	1LE23014DM544AA3	28213	SD4
200	50	1800	900	B449T	575	SD10 MS	1LE23014EM544AA3	28213	SD4
250	62.5	1800	900	449TS	575	SD10 MS	1LE23014DM644AA3	38956	SD4
250	62.5	1800	900	B449T	575	SD10 MS	1LE23014EM644AA3	38956	SD4

QuikMOD Delivery for stocked motors only.  
Stock availability subject to change.

Prices and Specifications are subject to change without notice.



# SIMOTICS Definite purpose motors

## RGKESDI / RGZESDI

## Adjustable speed drive only

**RGZESDI / RGKESDI** Severe duty TEFC / TEBC (blower cooled) motors are designed for inverted or vectro applications where up to a 10:1 or 1000:1 constant torque speed range is required. These motors are well suited to be used with adjustable speed applications such as mixers, chemical processing, pulp and paper, waste management and petro/chemical.



RGZESDI 10:1 CT  
 RGZESDI / RGKESDI 1000:1 CT

<b>HP Range</b>	Frame Size	<b>1-400 HP</b> 143T-S449
<b>Efficiency</b>	Standard Efficiency	143T-S449
<b>Voltage 1)</b>	<b>3 phase 60Hz</b> 460 V 575 V	<b>Single voltage only</b> 1-400HP 1-400HP
<b>Insulation</b>	Insulation Class F Service Factor @ 40°C	NEMA MG1 Part 31 1.0 Variable frequency drive operation ONLY.
<b>Frame</b>	8 hole feet Condensation drains High strength carbon steel shaft V ring slinger - IP54 InproSeal® Bearing Isolator - IP55	<b>Cast iron</b> Casted single hole for 250T&280T frames T Drain C1045 DE & NDE
<b>Stator/Windings Rotor</b>	Stator Rotor, die cast aluminum	Random wound copper NC Temp. Protective devices 143T-S449
<b>Conduit box</b>	Cast iron	<b>Oversized</b> 143T-S449
<b>Bearings</b>	Single shielded Bearing housing Grease Inlet / relief fittings	143T-S449 Cast iron Polyurea base Alemite / plug Bearing caps
<b>Fan and fan cover</b>	Cover Bidirectional fan Uni-directional fan	Cast Iron - 143T-S449 143T-449T 2 Pole - 350-400HP Polypropylene
<b>Hardware</b>	Nameplate Lifting eyebolt Paint	<b>Rust resistant</b> Zinc plated grade 5 only Stainless steel engraved Included above 75 lbs. Alkyd Modified - RAL7030
<b>Inverter Duty</b>	Constant torque 1000:1 Constant torque 1000:1	Non-ventilated 143T-256T Blower cooled 254T-449T
<b>Hazardous classification</b>	Service factor 1.0 Service factor 1.15	NA

NEMA Premium® is a certification mark of the National Electrical Manufacturers Association.

1) Standard voltage for stock items, see option selection and pricing section for additional voltages.

Introduction  
 General Purpose Motors  
 Severe Duty Motors  
 Hazardous Duty Motors  
 Definite Purpose Motors  
 Special Features Detail  
 Options Selection and Pricing  
 Typical Performance Data  
 General Dimensions  
 Part Number Index

# SIMOTICS Definite purpose motors

RGKESDI / RGZESDI

1000:1 Constant torque  
Adjustable speed drive only

460V 60Hz – Foot mounted

HP	RPM	Frame	Voltage	Type	Part Number	List Price \$	Mult. Symb.	FL Amps	Lbs	Stock
1	1800	145T	460	RGKESDI 1000:1	1PC29111AB512AG3	1295	SA-7INV	1.4	55	
1	1200	182T	460	RGKESDI 1000:1	1PC29111CC612AG3	1616	SA-7INV	1.8	85	
1.5	3600	182T	460	RGKESDI 1000:1	1PC29111CA612AG3	1722	SA-7INV	2.0	85	
1.5	1800	182T	460	RGKESDI 1000:1	1PC29111CB612AG3	1440	SA-7INV	2.2	85	
1.5	1200	184T	460	RGKESDI 1000:1	1PC29111CC712AG3	1729	SA-7INV	2.4	100	
2	3600	184T	460	RGKESDI 1000:1	1PC29111CA812AG3	1893	SA-7INV	2.5	100	
2	1800	182T	460	RGKESDI 1000:1	1PC29111CB512AG3	1584	SA-7INV	2.7	85	
2	1200	213T	460	RGKESDI 1000:1	1PC29112KC512AG3	1938	SA-7INV	3.2	130	
3	3600	213T	460	RGKESDI 1000:1	1PC29112KA112AG3	2241	SA-7INV	3.7	130	
3	1800	184T	460	RGKESDI 1000:1	1PC29111CB712AG3	1745	SA-7INV	4.2	100	
3	1200	215T	460	RGKESDI 1000:1	1PC29112AC012AG3	2437	SA-7INV	4.3	162	
5	3600	215T	460	RGKESDI 1000:1	1PC29112KA212AG3	2563	SA-7INV	5.8	162	
5	1800	213T	460	RGKESDI 1000:1	1PC29112KB512AG3	2051	SA-7INV	6.5	157	
5	1200	254T	460	RGKESDI 1000:1	1PC29112KC612AG3	2855	SA-7INV	7.1	250	
7.5	3600	254T	460	RGKESDI 1000:1	1PC29112KA312AG3	2873	SA-7INV	8.7	250	
7.5	1800	254T	460	RGKESDI 1000:1	1PC29112BB712AG3	2799	SA-7INV	9.5	245	
7.5	1200	256T	460	RGKESDI 1000:1	1PC29112BC012AG3	3397	SA-7INV	10.0	300	
10	3600	256T	460	RGKESDI 1000:1	1PC29112KA412AG3	3521	SA-7INV	12.5	300	
10	1800	256T	460	RGKESDI 1000:1	1PC29112BB812AG3	3386	SA-7INV	12.5	285	
10	1200	256T	460	RGZESDI 1000:1	1PC29212BC212AG3	5476	SA-7INV	13.0	330	
15	3600	254T	460	RGZESDI 1000:1	1PC29212BA112AG3	4775	SA-7INV	18.0	330	
15	1800	254T	460	RGZESDI 1000:1	1PC29212BB112AG3	3465	SA-7INV	20.0	330	
15	1200	284T	460	RGZESDI 1000:1	1PC29212CC112AG3	6892	SA-7INV	20.0	460	
20	3600	256T	460	RGZESDI 1000:1	1PC29212BA212AG3	5246	SA-7INV	23.0	375	
20	1800	256T	460	RGZESDI 1000:1	1PC29212BB212AG3	4113	SA-7INV	27.0	375	
20	1200	286T	460	RGZESDI 1000:1	1PC29212CC212AG3	6946	SA-7INV	26.0	530	
25	3600	284TS	460	RGZESDI 1000:1	1PC29212DA112AG3	6124	SA-7INV	29.0	4600	
25	1800	284T	460	RGZESDI 1000:1	1PC29212CB112AG3	5728	SA-7INV	29.0	460	
25	1200	324T	460	RGZESDI 1000:1	1PC29213AC112AG3	8781	SA-7INV	33.0	645	
30	3600	286TS	460	RGZESDI 1000:1	1PC29212DA212AG3	6767	SA-7INV	34.0	680	
30	1800	286T	460	RGZESDI 1000:1	1PC29212CB212AG3	6315	SA-7INV	35.0	680	
30	1200	326T	460	RGZESDI 1000:1	1PC29213AC212AG3	10364	SA-7INV	39.0	680	
40	3600	324TS	460	RGZESDI 1000:1	1PC29213BA112AG3	8571	SA-7INV	46.0	645	
40	1800	324T	460	RGZESDI 1000:1	1PC29213AB112AG3	7985	SA-7INV	47.0	645	
40	1200	364T	460	RGZESDI 1000:1	1PC29213CC112AG3	13339	SA-7INV	52.0	910	
50	3600	326TS	460	RGZESDI 1000:1	1PC29213BA212AG3	10149	SA-7INV	55.0	680	
50	1800	326T	460	RGZESDI 1000:1	1PC29213AB212AG3	9423	SA-7INV	58.0	680	
50	1200	365T	460	RGZESDI 1000:1	1PC29213CC212AG3	15990	SA-7INV	66.0	930	

QuikMOD Delivery for stocked motors only.  
Stock availability subject to change.  
Prices and Specifications are subject to change without notice.

# SIMOTICS Definite purpose motors

RGKESDI / RGZESDI

1000:1 Constant torque  
Adjustable speed drive only

460V 60Hz – Foot mounted

HP	RPM	Frame	Voltage	Type	Part Number	List Price \$	Mult. Symb.	FL Amps	Lbs	Stock
60	3600	364TS	460	RGZESDI 1000:1	1PC29213DA112AG3	13063	SA-7INV	68.0	910	
60	1800	364T	460	RGZESDI 1000:1	1PC29213CB112AG3	12128	SA-7INV	71.0	910	
60	1200	404T	460	RGZESDI 1000:1	1PC29214AC112AG3	17738	SA-7INV	72.0	1180	
75	3600	365TS	460	RGZESDI 1000:1	1PC29213DA212AG3	15706	SA-7INV	85.0	930	
75	1800	365T	460	RGZESDI 1000:1	1PC29213CB212AG3	14538	SA-7INV	87.0	930	
75	1200	405T	460	RGZESDI 1000:1	1PC29214AC212AG3	19549	SA-7INV	87.0	1330	
100	3600	405TS	460	RGZESDI 1000:1	1PC29214BA212AG3	19152	SA-7INV	110.0	1330	
100	1800	405T	460	RGZESDI 1000:1	1PC29214AB212AG3	17716	SA-7INV	113.0	1330	
100	1200	444TS	460	RGZESDI 1000:1	1PC29214DC112AG3	24573	SA-7INV	115.0	1700	
125	3600	444TS	460	RGZESDI 1000:1	1PC29214DA112AG3	24203	SA-7INV	136.0	1700	
125	1800	444TS	460	RGZESDI 1000:1	1PC29214DB112AG3	22342	SA-7INV	143.0	1700	
125	1200	445TS	460	RGZESDI 1000:1	1PC29214DC212AG3	27891	SA-7INV	144.0	1820	
150	3600	445TS	460	RGZESDI 1000:1	1PC29214DA212AG3	27511	SA-7INV	160.0	1820	
150	1800	445TS	460	RGZESDI 1000:1	1PC29214DB212AG3	25358	SA-7INV	169.0	1820	
150	1200	447TS	460	RGZESDI 1000:1	1PC29214DC312AG3	33023	SA-7INV	169.0	2080	
200	3600	447TS	460	RGZESDI 1000:1	1PC29214DA312AG3	33586	SA-7INV	208.0	2080	
200	1800	447TS	460	RGZESDI 1000:1	1PC29214DB312AG3	30024	SA-7INV	223.0	2080	
200	1200	449TS	460	RGZESDI 1000:1	1PC29214DC512AG3	46594	SA-7INV	222.0	2380	
250	3600	449TS	460	RGZESDI 1000:1	1PC29214DA512AG3	40915	SA-7INV	264.0	2380	
250	1800	449TS	460	RGZESDI 1000:1	1PC29214DB512AG3	37666	SA-7INV	282.0	2380	
250	1200	449TS	460	RGZESDI 1000:1	1PC29214DC612AG3	51017	SA-7INV	285.0	2380	
300	3600	449TS	460	RGZESDI 1000:1	1PC29214DA612AG3	58875	SA-7INV	330.0	2380	
300	1800	449TS	460	RGZESDI 1000:1	1PC29214DB612AG3	42363	SA-7INV	345.0	2380	
300	1200	S449SS	460	RGZESDI 1000:1	1PC29214GC112AG3	65204	SA-7INV	335.0	4130	
350	3600	S449SS	460	RGZESDI 1000:1	1PC29214GA112AG3	54724	SA-7INV	370.0	4130	
350	1800	S449SS	460	RGZESDI 1000:1	1PC29214GB212AG3	54258	SA-7INV	390.0	4130	
350	1200	S449SS	460	RGZESDI 1000:1	1PC29214GC312AG3	73149	SA-7INV	396.0	4130	
400	3600	S449SS	460	RGZESDI 1000:1	1PC29214GA312AG3	67277	SA-7INV	420.0	4130	
400	1800	S449SS	460	RGZESDI 1000:1	1PC29214GB312AG3	63061	SA-7INV	450.0	4130	

QuikMOD Delivery for stocked motors only.  
Stock availability subject to change.  
Prices and Specifications are subject to change without notice.

Introduction  
General Purpose Motors  
Severe Duty Motors  
Hazardous Duty Motors  
Definite Purpose Motors  
Special Features Detail  
Options Selection and Pricing  
Typical Performance Data  
General Dimensions  
Part Number Index



# SIMOTICS Definite purpose motors

## RGZVESD – Vertical solid shaft

## Normal thrust

RGZVESD P-base vertical solid shaft motors are ideal for applications such as centrifugal and turbine pumps.



Down thrust: 355 to 1,860 lbs.  
Up thrust: 380 to 2,800 lbs.

HP range	Frame Size	<b>1-250HP</b> 143HP-449HP
Efficiency	Energy Efficient (NEMA MG1 Table 12-11)	143HP-449HP
Voltage <sup>1)</sup>	230 / 460 V 460 V 575 V	<b>3 phase 60Hz</b> 1-20HP 25-250HP 1-250HP
Insulation	Insulation Class F Service Factor @ 40°C Temperature rise (Sine wave)	<b>NEMA design B</b> NEMA MG1 Part 31 1.15 Class B @ 1.0SF Class F @ 1.15SF
Frame	Condensation drains High strength carbon steel shaft V ring slinger - IP54	<b>Cast iron</b> T-drain C1045 DE & NDE
Stator/Windings rotor	Stator Rotor die cast aluminum	Random wound copper 143HP-449HP
Conduit box (oversize)	Cast iron Neoprene gasket	143HP-449HP 143HP-449HP
Bearings	Double shielded Single shielded Open Bearing housing Bearing housing/bearing cap Grease Inlet / relief fittings	284HP-365HP 440HP (DE), 440HP (NDE) 404HP-405HP (DE & NDE) 143HP-254HP & 440HP (DE) Cast iron Bearing cape Cast iron / 143HP-449HP Polyurea base Alemite / plug
Fan and fan cover	Cover Bidirectional fan	143HP-449HP Cast iron 143HP-449HP Polypropylene
Hardware	Nameplate Lifting eyebolt Paint	<b>Rust resistant</b> Zinc plated Stainless steel engraved NA Alkyd - RAL7030
Inverter duty	Variable torque 20:1 Constant torque 4:1	143HP-449HP 143HP-449HP
Hazardous classification	Service factor 1.0  Service factor 1.15	<sup>2)</sup> CSA - 143HP-449HP (40°C) Class 1, Division 2, T3 temperature code 449-S449 T2D

<sup>1)</sup> Standard voltage for stock items, see option selection and pricing section for additional voltages.

<sup>2)</sup> Available as an option.

# SIMOTICS Definite purpose motors

## RGZVESD – Vertical solid shaft

## Normal thrust

### 460V 60Hz

HP	RPM	Frame	Voltage	Type	Part Number	List Price \$	Mult. Symb.	Cont. Thrust (LBS)		FL Amps	FL Nom Eff. (%)	Lbs	Stock
								Up	Dwn				
1	1800	143HP	230/460	RGZVESD	1PC28111BB216TA3	905	SA-7	380	355	1.5	82.5	70	
1	1200	145HP	230/460	RGZVESD	1PC28111BC316TA3	1227	SA-7	445	415	1.6	80.0	75	
1	900	182HP	230/460	RGZVESD	1PC28111DD116TA3	1878	SA-7	495	465	1.9	74.0	85	
1.5	3600	143HP	230/460	RGZVESD	1PC28111BA216TA3	1165	SA-7	295	275	1.9	85.5	70	
1.5	1800	145HP	230/460	RGZVESD	1PC28111BB316TA3	1047	SA-7	385	330	2.2	84.0	75	
1.5	1200	182HP	230/460	RGZVESD	1PC28111DC116TA3	1452	SA-7	550	510	2.3	85.5	85	
1.5	900	184HP	230/460	RGZVESD	1PC28111DD216TA3	2119	SA-7	615	570	2.6	77.0	100	
2	3600	145HP	230/460	RGZVESD	1PC28111BA316TA3	1226	SA-7	295	275	2.5	84.0	75	
2	1800	145HP	230/460	RGZVESD	1PC28111BB416TA3	1186	SA-7	385	350	2.7	84.0	75	
2	1200	184HP	230/460	RGZVESD	1PC28111DC216TA3	1671	SA-7	550	510	3.0	86.5	100	
2	900	213HP	230/460	RGZVESD	1PC28112AD316TA3	2426	SA-7	615	570	3.3	82.5	135	
3	3600	182HP	230/460	RGZVESD	1PC28111DA116TA3	1610	SA-7	365	340	3.6	85.5	85	✓
3	1800	182HP	230/460	RGZVESD	1PC28111DB116TA3	1421	SA-7	480	430	3.9	87.5	85	✓
3	1200	213HP	230/460	RGZVESD	1PC28112AC316TA3	2205	SA-7	785	725	4.0	87.5	135	
3	900	215HP	230/460	RGZVESD	1PC28112AD416TA3	3050	SA-7	875	810	4.7	84.0	160	
5	3600	184HP	230/460	RGZVESD	1PC28111DA216TA3	2257	SA-7	375	330	5.8	87.5	100	✓
5	1800	184HP	230/460	RGZVESD	1PC28111DB216TA3	1979	SA-7	485	425	6.5	87.5	100	✓
5	1200	215HP	230/460	RGZVESD	1PC28112AC416TA3	3105	SA-7	790	720	6.8	87.5	160	
5	900	254HP	230/460	RGZVESD	1PC28112BD316TA3	3736	SA-7	885	805	7.5	85.5	245	
7.5	3600	213HP	230/460	RGZVESD	1PC28112AA316TA3	2721	SA-7	525	475	8.8	88.5	135	✓
7.5	1800	213HP	230/460	RGZVESD	1PC28112AB316TA3	2712	SA-7	685	610	9.5	89.5	135	✓
7.5	1200	254HP	230/460	RGZVESD	1PC28112BC316TA3	3702	SA-7	1130	1025	9.8	89.5	245	
7.5	900	256HP	230/460	RGZVESD	1PC28112BD416TA3	4536	SA-7	1260	1150	11.5	85.5	285	
10	3600	215HP	230/460	RGZVESD	1PC28112AA416TA3	3048	SA-7	530	470	12.0	89.5	160	✓
10	1800	215HP	230/460	RGZVESD	1PC28112AB416TA3	3051	SA-7	690	605	12.5	89.5	160	✓
10	1200	256HP	230/460	RGZVESD	1PC28112BC416TA3	4182	SA-7	1140	1015	13.0	89.5	285	
10	900	284HP	230/460	RGZVESD	1PC28112CD316TA3	5513	SA-7	1275	1140	15.0	88.5	485	
15	3600	254HP	230/460	RGZVESD	1PC28112BA316TA3	3514	SA-7	760	670	17.0	90.2	245	✓
15	1800	254HP	230/460	RGZVESD	1PC28112BB316TA3	3645	SA-7	980	870	18.7	91.0	245	✓
15	1200	284HP	230/460	RGZVESD	1PC28112CC316TA3	4876	SA-7	1170	985	20.0	90.2	485	
15	900	286HP	230/460	RGZVESD	1PC28112CD416TA3	6705	SA-7	1310	1100	23.0	88.5	520	
20	3600	256HP	230/460	RGZVESD	1PC28112BA416TA3	3843	SA-7	765	665	23.0	90.2	285	✓
20	1800	256HP	230/460	RGZVESD	1PC28112BB416TA3	4155	SA-7	995	855	26.0	91.0	285	✓
20	1200	286HP	230/460	RGZVESD	1PC28112CC416TA3	5926	SA-7	1190	965	26.0	90.2	520	
20	900	324HP	230/460	RGZVESD	1PC28113AD316TA3	8187	SA-7	1330	1080	31.0	89.5	565	
25	3600	284HP	460	RGZVESD	1PC28112CA312TA3	4135	SA-7	785	645	29.0	91.0	485	✓
25	1800	284HP	460	RGZVESD	1PC28112CB312TA3	4632	SA-7	1020	830	29.0	92.4	485	✓
25	1200	324HP	460	RGZVESD	1PC28113AC312TA3	6934	SA-7	1795	1535	33.0	91.7	565	
25	900	326HP	460	RGZVESD	1PC28113AD412TA3	9386	SA-7	2000	1720	38.0	89.5	710	

QuikMOD Delivery for stocked motors only.  
Stock availability subject to change.

Prices and Specifications are subject to change without notice.  
DOE#CC032A

# SIMOTICS Definite purpose motors

## RGZVESD – Vertical solid shaft

## Normal thrust

### 460V 60Hz

HP	RPM	Frame	Voltage	Type	Part Number	List Price \$	Mult. Symb.	Cont. Thrust (LBS)		FL Amps	FL Nom Eff. (%)	Lbs	Stock
								Up	Dwn				
30	3600	286HP	460	RGZVESD	1PC28112CA412TA3	4476	SA-7	795	635	34.0	91.0	520	✓
30	1800	286HP	460	RGZVESD	1PC28112CB412TA3	5211	SA-7	1035	815	35.0	92.4	520	✓
30	1200	326HP	460	RGZVESD	1PC28113AC412TA3	7917	SA-7	1820	1510	39.0	91.7	710	
30	900	364HP	460	RGZVESD	1PC28113CD312TA3	10888	SA-7	2320	1860	46.8	91.0	800	
40	3600	324HP	460	RGZVESD	1PC28113AA312TA3	6145	SA-7	1205	1005	45.0	91.7	565	✓
40	1800	324HP	460	RGZVESD	1PC28113AB312TA3	6207	SA-7	1570	1290	47.0	93.0	565	✓
40	1200	364HP	460	RGZVESD	1PC28113CC312TA3	10365	SA-7	2075	1675	52.0	93.0	800	
40	900	365HP	460	RGZVESD	1PC28113CD412TA3	13008	SA-7	2340	1840	63.0	91.0	875	
50	3600	326HP	460	RGZVESD	1PC28113AA412TA3	7709	SA-7	1215	995	55.0	92.4	710	✓
50	1800	326HP	460	RGZVESD	1PC28113AB412TA3	7360	SA-7	1585	1275	58.0	93.0	710	✓
50	1200	365HP	460	RGZVESD	1PC28113CC412TA3	12220	SA-7	2095	1660	66.0	93.0	875	
50	900	404HP	460	RGZVESD	1PC28114AD312TA3	15555	SA-7	2370	1810	67.0	91.7	1290	
60	3600	364HP	460	RGZVESD	1PC28113CA312TA3	9811	SA-7	1410	1080	68.0	93.0	800	✓
60	1800	364HP	460	RGZVESD	1PC28113CB312TA3	9758	SA-7	1795	1435	71.0	93.6	800	✓
60	1200	404HP	460	RGZVESD	1PC28114AC312TA3	13935	SA-7	2155	1595	74.0	93.6	1290	
60	900	405HP	460	RGZVESD	1PC28114AD412TA3	17639	SA-7	2410	1770	78.0	91.7	1420	
75	3600	365HP	460	RGZVESD	1PC28113CA412TA3	12128	SA-7	1420	1070	85.0	93.0	875	✓
75	1800	365HP	460	RGZVESD	1PC28113CB412TA3	12168	SA-7	1815	1415	87.0	94.1	875	✓
75	1200	405HP	460	RGZVESD	1PC28114AC412TA3	16339	SA-7	2195	1555	93.0	93.6	1420	
75	900	444HP	460	RGZVESD	1PC28114HD112TA3	23134	SA-7	2495	1685	94.0	93.0	1740	
100	3600	405HP	460	RGZVESD	1PC28114AA412TA3	16157	SA-7	1475	1015	108.0	93.6	1420	✓
100	1800	405HP	460	RGZVESD	1PC28114AB412TA3	15016	SA-7	1915	1315	113.0	94.5	1420	✓
100	1200	444HP	460	RGZVESD	1PC28114HC112TA3	21843	SA-7	2315	1435	117.0	94.1	1740	
100	900	445HP	460	RGZVESD	1PC28114HD212TA3	28345	SA-7	2565	1615	123.0	93.0	1930	
125	1800	444HP	460	RGZVESD	1PC28114HB112TA3	19658	SA-7	1975	1255	143.0	94.5	1740	
125	1200	445HP	460	RGZVESD	1PC28114HC212TA3	26405	SA-7	2385	1365	144.0	94.1	1930	
125	900	447HP	460	RGZVESD	1PC28114HD312TA3	32565	SA-7	2670	1510	152.0	93.6	2280	
150	1800	445HP	460	RGZVESD	1PC28114HB212TA3	22678	SA-7	2060	1170	170.0	95.0	1930	
150	1200	447HP	460	RGZVESD	1PC28114HC312TA3	32814	SA-7	2400	1350	170.0	95.0	2280	
150	900	447HP	460	RGZVESD	1PC28114HD412TA3	37030	SA-7	2730	1450	186.0	93.6	2280	
200	1800	447HP	460	RGZVESD	1PC28114HB312TA3	30998	SA-7	2115	1115	225.0	95.0	2280	
200	1200	449HP	460	RGZVESD	1PC28114HC512TA3	37386	SA-7	2450	1300	226.0	95.0	2600	
200	900	449HP	460	RGZVESD	1PC28114HD612TA3	41664	SA-7	2800	1380	241.0	94.1	2600	
250	1800	449HP	460	RGZVESD	1PC28114HB512TA3	36014	SA-7	2185	1045	281.0	95.0	2600	
250	1200	449HP	460	RGZVESD	1PC28114HC612TA3	41115	SA-7	2520	1230	280.0	95.0	2600	

QuikMOD Delivery for stocked motors only.  
Stock availability subject to change.

Prices and Specifications are subject to change without notice.  
DOE#CC032A

# SIMOTICS Definite purpose motors

## RGZVESD – Vertical solid shaft

## Normal thrust

### 575V 60Hz

HP	RPM	Frame	Voltage	Type	Part Number	List Price \$	Mult. Symb.	Cont. Thrust (LBS)		FL Amps	FL Nom Eff. (%)	Lbs	Stock
								Up	Dwn				
1	1800	143HP	575	RGZVESD	1PC28111BB213TA3	905	SA-7	380	355	1.5	82.5	70	
1	1200	145HP	575	RGZVESD	1PC28111BC313TA3	1227	SA-7	445	415	1.6	80.0	75	
1	900	182HP	575	RGZVESD	1PC28111DD113TA3	1878	SA-7	495	465	1.9	74.0	85	
1.5	3600	143HP	575	RGZVESD	1PC28111BA213TA3	1165	SA-7	295	275	1.9	85.5	70	
1.5	1800	145HP	575	RGZVESD	1PC28111BB313TA3	1047	SA-7	385	330	2.2	84.0	75	
1.5	1200	182HP	575	RGZVESD	1PC28111DC113TA3	1452	SA-7	550	510	2.3	85.5	85	
1.5	900	184HP	575	RGZVESD	1PC28111DD213TA3	2119	SA-7	615	570	2.6	77.0	100	
2	3600	145HP	575	RGZVESD	1PC28111BA313TA3	1226	SA-7	295	275	2.5	84.0	75	
2	1800	145HP	575	RGZVESD	1PC28111BB413TA3	1186	SA-7	385	350	2.7	84.0	75	
2	1200	184HP	575	RGZVESD	1PC28111DC213TA3	1671	SA-7	550	510	3.0	86.5	100	
2	900	213HP	575	RGZVESD	1PC28112AD313TA3	2426	SA-7	615	570	3.3	82.5	135	
3	3600	182HP	575	RGZVESD	1PC28111DA113TA3	1610	SA-7	365	340	3.6	85.5	85	
3	1800	182HP	575	RGZVESD	1PC28111DB113TA3	1421	SA-7	480	430	3.9	87.5	85	
3	1200	213HP	575	RGZVESD	1PC28112AC313TA3	2205	SA-7	785	725	4.0	87.5	135	
3	900	215HP	575	RGZVESD	1PC28112AD413TA3	3050	SA-7	875	810	4.7	84.0	160	
5	3600	184HP	575	RGZVESD	1PC28111DA213TA3	2257	SA-7	375	330	5.8	87.5	100	
5	1800	184HP	575	RGZVESD	1PC28111DB213TA3	1979	SA-7	485	425	6.5	87.5	100	
5	1200	215HP	575	RGZVESD	1PC28112AC413TA3	3105	SA-7	790	720	6.8	87.5	160	
5	900	254HP	575	RGZVESD	1PC28112BD313TA3	3736	SA-7	885	805	7.5	85.5	245	
7.5	3600	213HP	575	RGZVESD	1PC28112AA313TA3	2721	SA-7	525	475	8.8	88.5	135	
7.5	1800	213HP	575	RGZVESD	1PC28112AB313TA3	2712	SA-7	685	610	9.5	89.5	135	
7.5	1200	254HP	575	RGZVESD	1PC28112BC313TA3	3702	SA-7	1130	1025	9.8	89.5	245	
7.5	900	256HP	575	RGZVESD	1PC28112BD413TA3	4536	SA-7	1260	1150	11.5	85.5	285	
10	3600	215HP	575	RGZVESD	1PC28112AA413TA3	3048	SA-7	530	470	12.0	89.5	160	
10	1800	215HP	575	RGZVESD	1PC28112AB413TA3	3051	SA-7	690	605	12.5	89.5	160	
10	1200	256HP	575	RGZVESD	1PC28112BC413TA3	4182	SA-7	1140	1015	13.0	89.5	285	
10	900	284HP	575	RGZVESD	1PC28112CD313TA3	5513	SA-7	1275	1140	15.0	88.5	485	
15	3600	254HP	575	RGZVESD	1PC28112BA313TA3	3514	SA-7	760	670	17.0	90.2	245	
15	1800	254HP	575	RGZVESD	1PC28112BB313TA3	3645	SA-7	980	870	18.7	91.0	245	
15	1200	284HP	575	RGZVESD	1PC28112CC313TA3	4876	SA-7	1170	985	20.0	90.2	485	
15	900	286HP	575	RGZVESD	1PC28112CD413TA3	6705	SA-7	1310	1100	23.0	88.5	520	
20	3600	256HP	575	RGZVESD	1PC28112BA413TA3	3843	SA-7	765	665	23.0	90.2	285	
20	1800	256HP	575	RGZVESD	1PC28112BB413TA3	4155	SA-7	995	855	26.0	91.0	285	
20	1200	286HP	575	RGZVESD	1PC28112CC413TA3	5926	SA-7	1190	965	26.0	90.2	520	
20	900	324HP	575	RGZVESD	1PC28113AD313TA3	8187	SA-7	1330	1080	31.0	89.5	565	
25	3600	284HP	575	RGZVESD	1PC28112CA313TA3	4135	SA-7	785	645	29.0	91.0	485	
25	1800	284HP	575	RGZVESD	1PC28112CB313TA3	4632	SA-7	1020	830	29.0	92.4	485	
25	1200	324HP	575	RGZVESD	1PC28113AC313TA3	6934	SA-7	1795	1535	33.0	91.7	565	
25	900	326HP	575	RGZVESD	1PC28113AD413TA3	9386	SA-7	2000	1720	38.0	89.5	710	

QuikMOD Delivery for stocked motors only.  
Stock availability subject to change.

Prices and Specifications are subject to change without notice.  
DOE#CC032A



# SIMOTICS Definite purpose motors

## RGZVESD – Vertical solid shaft

## Normal thrust

### 575V 60Hz

HP	RPM	Frame	Voltage	Type	Part Number	List Price \$	Mult. Symb.	Cont. Thrust (LBS)		FL Amps	FL Nom Eff. (%)	Lbs	Stock
								Up	Dwn				
30	3600	286HP	575	RGZVESD	1PC28112CA413TA3	4476	SA-7	795	635	34.0	91.0	520	
30	1800	286HP	575	RGZVESD	1PC28112CB413TA3	5211	SA-7	1035	815	35.0	92.4	520	
30	1200	326HP	575	RGZVESD	1PC28113AC413TA3	7917	SA-7	1820	1510	39.0	91.7	710	
30	900	364HP	575	RGZVESD	1PC28113CD313TA3	10888	SA-7	2320	1860	46.8	91.0	800	
40	3600	324HP	575	RGZVESD	1PC28113AA313TA3	6145	SA-7	1205	1005	45.0	91.7	565	
40	1800	324HP	575	RGZVESD	1PC28113AB313TA3	6207	SA-7	1570	1290	47.0	93.0	565	
40	1200	364HP	575	RGZVESD	1PC28113CC313TA3	10365	SA-7	2075	1675	52.0	93.0	800	
40	900	365HP	575	RGZVESD	1PC28113CD413TA3	13008	SA-7	2340	1840	63.0	91.0	875	
50	3600	326HP	575	RGZVESD	1PC28113AA413TA3	7709	SA-7	1215	995	55.0	92.4	710	
50	1800	326HP	575	RGZVESD	1PC28113AB413TA3	7360	SA-7	1585	1275	58.0	93.0	710	
50	1200	365HP	575	RGZVESD	1PC28113CC413TA3	12220	SA-7	2095	1660	66.0	93.0	875	
50	900	404HP	575	RGZVESD	1PC28114AD313TA3	15555	SA-7	2370	1810	67.0	91.7	1290	
60	3600	364HP	575	RGZVESD	1PC28113CA312TA3	9811	SA-7	1410	1080	68.0	93.0	800	
60	1800	364HP	575	RGZVESD	1PC28113CB313TA3	9758	SA-7	1795	1435	71.0	93.6	800	
60	1200	404HP	575	RGZVESD	1PC28114AC313TA3	13935	SA-7	2155	1595	74.0	93.6	1290	
60	900	405HP	575	RGZVESD	1PC28114AD413TA3	17639	SA-7	2410	1770	78.0	91.7	1420	
75	3600	365HP	575	RGZVESD	1PC28113CA413TA3	12128	SA-7	1420	1070	85.0	93.0	875	
75	1800	365HP	575	RGZVESD	1PC28113CB413TA3	12168	SA-7	1815	1415	87.0	94.1	875	
75	1200	405HP	575	RGZVESD	1PC28114AC413TA3	16339	SA-7	2195	1555	93.0	93.6	1420	
75	900	444HP	575	RGZVESD	1PC28114HD113TA3	23134	SA-7	2495	1685	94.0	93.0	1740	
100	3600	405HP	575	RGZVESD	1PC28114AA413TA3	16157	SA-7	1475	1015	108.0	93.6	1420	
100	1800	405HP	575	RGZVESD	1PC28114AB413TA3	15016	SA-7	1915	1315	113.0	94.5	1420	
100	1200	444HP	575	RGZVESD	1PC28114HC113TA3	21843	SA-7	2315	1435	117.0	94.1	1740	
100	900	445HP	575	RGZVESD	1PC28114HD213TA3	28345	SA-7	2565	1615	123.0	93.0	1930	
125	1800	444HP	575	RGZVESD	1PC28114HB113TA3	19658	SA-7	1975	1255	143.0	94.5	1740	
125	1200	445HP	575	RGZVESD	1PC28114HC213TA3	26405	SA-7	2385	1365	144.0	94.1	1930	
125	900	447HP	575	RGZVESD	1PC28114HD313TA3	32565	SA-7	2670	1510	152.0	93.6	2280	
150	1800	445HP	575	RGZVESD	1PC28114HB213TA3	22678	SA-7	2060	1170	170.0	95.0	1930	
150	1200	447HP	575	RGZVESD	1PC28114HC313TA3	32814	SA-7	2400	1350	170.0	95.0	2280	
150	900	447HP	575	RGZVESD	1PC28114HD413TA3	37030	SA-7	2730	1450	186.0	93.6	2280	
200	1800	447HP	575	RGZVESD	1PC28114HB313TA3	30998	SA-7	2115	1115	225.0	95.0	2280	
200	1200	449HP	575	RGZVESD	1PC28114HC513TA3	37386	SA-7	2450	1300	226.0	95.0	2600	
200	900	449HP	575	RGZVESD	1PC28114HD613TA3	41664	SA-7	2800	1380	241.0	94.1	2600	
250	1800	449HP	575	RGZVESD	1PC28114HB513TA3	36014	SA-7	2185	1045	281.0	95.0	2600	
250	1200	449HP	575	RGZVESD	1PC28114HC613TA3	41115	SA-7	2520	1230	280.0	95.0	2600	

QuikMOD Delivery for stocked motors only.  
Stock availability subject to change.

Prices and Specifications are subject to change without notice.  
DOE#CC032A



# SIMOTICS Definite purpose motors

## RGZVILESD – Vertical solid shaft

## In-Line thrust

**RGZVILESD** motors are ideal for dependable and energy efficient operation in applications such as centrifugal and turbine pumps.



Down thrust: 735 to 1,550 lbs.  
Up thrust: 785 to 3,735 lbs.  
Radial thrust: 930 to 2,140 lbs.



<b>HP range</b>	Frame Size	<b>3-250HP</b> 182LP-449LP
<b>Efficiency</b>	Energy Efficient (NEMA MG1 Table 12-11)	182LP-449LP
<b>Voltage <sup>1)</sup></b>	208-230 / 460 V 230 / 460 V 460 V 575 V	<b>3 phase 60Hz</b>  3-20HP 25-250HP 3-250HP
<b>Insulation</b>	Insulation Class F Service Factor @ 40°C Temperature rise (Sine wave)	<b>NEMA design B</b> NEMA MG1 Part 31 1.15 Class B @ 1.0SF Class F @ 1.15SF
<b>Frame</b>	Condensation drains High strength carbon steel shaft V ring slinger - IP54	<b>Cast iron</b> T-drain C1045 DE & NDE
<b>Stator/Windings rotor</b>	Stator Rotor, die cast aluminum	Random wound copper 182LP-449LP
<b>Conduit box (oversize)</b>	Cast iron Neoprene gasket	182LP-449LP 182LP-449LP
<b>Bearings</b>	Double shielded Open Bearing housing Bearing housing / bearing cap Grease Inlet / relief fittings	284LP-449LP 182LP-254LP (DE) Cast iron Cast iron / 182LP-449LP Polyurea base Alemite / plug  Bearing cape
<b>Fan and fan cover</b>	Cast iron Bidirectional fan	143LP-256LP 182LP-449LP  Polypropylene
<b>Hardware</b>	Nameplate Lifting eyebolt Paint	<b>Rust resistant</b> Stainless steel engraved NA Alkyd - RAL7030  Zinc plated  Epoxy enamel
<b>Inverter duty</b>	Variable torque 20:1 Constant torque 4:1	182LP-449LP 182LP-449LP
<b>Hazardous classification</b>	Service factor 1.0  Service factor 1.15	NA

<sup>1)</sup> Standard voltage for stock items, see option selection and pricing section for additional voltages.

# SIMOTICS Definite purpose motors

## RGZVILESD – Vertical solid shaft

## In-Line thrust

### 460V 60Hz

HP	RPM	Frame	Voltage	Type	Part Number	List Price \$	Mult. Symb.	Cont. Thrust LBS.			FL Amps	FL Nom Eff. (%)	Lbs	Stock
								Up	Dwn	Rdl.				
3	3600	182LP	230/460	RGZVILESD	1PC28311DA416TA3	2138	SA-7EN	785	735	930	3.6	85.5	133	✓
3	1800	182LP	230/460	RGZVILESD	1PC28311DB416TA3	2082	SA-7EN	980	910	1160	3.9	87.5	133	✓
3	1200	213LP	230/460	RGZVILESD	1PC28312AC516TA3	2488	SA-7EN	1115	1055	1320	4.0	87.5	215	
5	3600	184LP	230/460	RGZVILESD	1PC28311DA516TA3	2362	SA-7EN	785	735	930	5.8	87.5	144	✓
5	1800	184LP	230/460	RGZVILESD	1PC28311DB516TA3	2233	SA-7EN	980	910	1160	6.5	87.5	144	✓
5	1200	215LP	230/460	RGZVILESD	1PC28312AC616TA3	3237	SA-7EN	1120	1050	1320	6.8	87.5	160	
7.5	3600	213LP	230/460	RGZVILESD	1PC28312AA516TA3	2835	SA-7EN	785	735	930	8.8	88.5	215	✓
7.5	1800	213LP	230/460	RGZVILESD	1PC28312AB516TA3	2825	SA-7EN	980	910	1160	9.5	89.5	215	✓
7.5	1200	254LP	230/460	RGZVILESD	1PC28312BC516TA3	3856	SA-7EN	1350	1240	1600	9.8	89.5	245	
10	3600	215LP	230/460	RGZVILESD	1PC28312AA616TA3	3175	SA-7EN	790	730	930	12.0	89.5	160	✓
10	1800	215LP	230/460	RGZVILESD	1PC28312AB616TA3	3178	SA-7EN	985	905	1160	12.5	89.5	160	✓
10	1200	256LP	230/460	RGZVILESD	1PC28312BC616TA3	4354	SA-7EN	1360	1230	1600	13.0	89.5	330	
15	3600	254LP	230/460	RGZVILESD	1PC28312BA516TA3	3659	SA-7EN	945	855	1100	17.0	90.2	245	✓
15	1800	254LP	230/460	RGZVILESD	1PC28312BB516TA3	3799	SA-7EN	1185	1075	1400	18.7	91.0	245	✓
15	1200	284LPH	230/460	RGZVILESD	1PC28312EC116TA3	5243	SA-7EN	1975	1785	2120	20.0	90.2	375	
20	3600	256LP	230/460	RGZVILESD	1PC28312BA616TA3	4106	SA-7EN	950	850	1100	23.0	90.2	285	✓
20	1800	256LP	230/460	RGZVILESD	1PC28312BB616TA3	4327	SA-7EN	1200	1060	1400	26.0	91.0	285	✓
20	1200	286LPH	230/460	RGZVILESD	1PC28312EC416TA3	6174	SA-7EN	1990	1770	2120	26.0	90.2	520	
25	3600	284LPH	460	RGZVILESD	1PC28312EA112TA3	4903	SA-7EN	1460	1320	1475	29.0	91.0	375	✓
25	1800	284LPH	460	RGZVILESD	1PC28312EB112TA3	4825	SA-7EN	1725	1535	1850	29.0	92.4	375	✓
25	1200	324LP	460	RGZVILESD	1PC28313AC512TA3	7220	SA-7EN	2010	1750	1875	33.0	91.7	565	
30	3600	286LPH	460	RGZVILESD	1PC28312EA412TA3	5202	SA-7EN	1470	1310	1475	34.0	91.0	430	✓
30	1800	286LPH	460	RGZVILESD	1PC28312EB412TA3	5428	SA-7EN	1740	1520	1850	35.0	92.4	430	✓
30	1200	326LP	460	RGZVILESD	1PC28313AC612TA3	8071	SA-7EN	2035	1725	1875	39.0	91.7	600	
40	3600	324LP	460	RGZVILESD	1PC28313AA512TA3	6937	SA-7EN	1490	1290	1600	45.0	91.7	565	✓
40	1800	324LP	460	RGZVILESD	1PC28313AB512TA3	6727	SA-7EN	1770	1490	1650	47.0	93.0	565	✓
40	1200	364LP	460	RGZVILESD	1PC28313CC512TA3	10271	SA-7EN	2540	2140	2120	52.0	93.0	800	
50	3600	326LP	460	RGZVILESD	1PC28313AA612TA3	8500	SA-7EN	1505	1275	1600	55.0	92.4	600	✓
50	1800	326LP	460	RGZVILESD	1PC28313AB612TA3	7893	SA-7EN	1785	1475	1650	58.0	93.0	600	✓
50	1200	365LP	460	RGZVILESD	1PC28313CC612TA3	12085	SA-7EN	2560	2120	2120	66.0	93.0	875	
60	3600	364LP	460	RGZVILESD	1PC28313CA512TA3	10579	SA-7EN	1840	1510	1475	68.0	93.0	800	✓
60	1800	364LP	460	RGZVILESD	1PC28313CB512TA3	10527	SA-7EN	2330	2060	1850	71.0	93.6	800	✓
60	1200	404LP	460	RGZVILESD	1PC28314AC512TA3	13777	SA-7EN	2620	2060	2120	74.0	93.6	1290	
75	3600	365LP	460	RGZVILESD	1PC28313CA612TA3	12896	SA-7EN	1850	1500	1475	85.0	93.0	875	✓
75	1800	365LP	460	RGZVILESD	1PC28313CB612TA3	12937	SA-7EN	2345	1945	1850	87.0	94.1	875	✓
75	1200	405LP	460	RGZVILESD	1PC28314AC612TA3	16205	SA-7EN	2660	2020	2120	93.0	93.6	1300	
100	3600	405LP	460	RGZVILESD	1PC28314AA612TA3	17399	SA-7EN	1905	1445	1475	108.0	93.6	1300	✓
100	1800	405LP	460	RGZVILESD	1PC28314AB612TA3	15720	SA-7EN	2445	1845	1850	113.0	94.5	1300	✓
100	1200	444LP	460	RGZVILESD	1PC28314JC112TA3	21501	SA-7EN	2780	1900	2120	117.0	94.1	1740	
125	1800	444LP	460	RGZVILESD	1PC28314JB112TA3	19973	SA-7EN	2530	1760	1850	143.0	94.5	1740	
125	1200	445LP	460	RGZVILESD	1PC28314JC212TA3	27763	SA-7EN	2850	1830	2120	144.0	94.1	1930	
150	1800	445LP	460	RGZVILESD	1PC28314JB212TA3	23321	SA-7EN	2590	1700	1850	170.0	95.0	1930	
150	1200	447LP	460	RGZVILESD	1PC28314JC312TA3	32289	SA-7EN	2945	1735	2120	170.0	95.0	2280	
200	1800	447LP	460	RGZVILESD	1PC28314JB312TA3	30506	SA-7EN	2650	1645	1850	225.0	95.0	2280	
200	1200	449LP	460	RGZVILESD	1PC28314JC512TA3	32345	SA-7EN	3040	1640	2120	226.0	95.0	2600	
250	1800	449LP	460	RGZVILESD	1PC28314JB512TA3	33421	SA-7EN	2710	1590	1850	281.0	95.0	2600	
250	1200	449LP	460	RGZVILESD	1PC28314JC612TA3	34992	SA-7EN	3735	1550	2120	280.0	95.0	2600	

QuikMOD Delivery for stocked motors only.  
 Stock availability subject to change.  
 Prices and Specifications are subject to change without notice.

# SIMOTICS Definite purpose motors

## RGZVILESD – Vertical solid shaft

## In-Line thrust

### 575V 60Hz

HP	RPM	Frame	Voltage	Type	Part Number	List Price \$	Mult. Symb.	Cont. Thrust LBS.			FL Amps	FL Nom Eff. (%)	Lbs	Stock
								Up	Dwn	Rdl.				
3	3600	182LP	575	RGZVILESD	1PC28311DA413TA3	2138	SA-7EN	785	735	930	3.6	85.5	133	
3	1800	182LP	575	RGZVILESD	1PC28311DB413TA3	2082	SA-7EN	980	910	1160	3.9	87.5	133	
3	1200	213LP	575	RGZVILESD	1PC28312AC513TA3	2488	SA-7EN	1115	1055	1320	4.0	87.5	215	
5	3600	184LP	575	RGZVILESD	1PC28311DA513TA3	2362	SA-7EN	785	735	930	5.8	87.5	144	
5	1800	184LP	575	RGZVILESD	1PC28311DB513TA3	2233	SA-7EN	980	910	1160	6.5	87.5	144	
5	1200	215LP	575	RGZVILESD	1PC28312AC613TA3	3237	SA-7EN	1120	1050	1320	6.8	87.5	160	
7.5	3600	213LP	575	RGZVILESD	1PC28312AA513TA3	2835	SA-7EN	785	735	930	8.8	88.5	215	
7.5	1800	213LP	575	RGZVILESD	1PC28312AB513TA3	2825	SA-7EN	980	910	1160	9.5	89.5	215	
7.5	1200	254LP	575	RGZVILESD	1PC28312BC513TA3	3856	SA-7EN	1350	1240	1600	9.8	89.5	245	
10	3600	215LP	575	RGZVILESD	1PC28312AA613TA3	3175	SA-7EN	790	730	930	12.0	89.5	160	
10	1800	215LP	575	RGZVILESD	1PC28312AB613TA3	3178	SA-7EN	985	905	1160	12.5	89.5	160	
10	1200	256LP	575	RGZVILESD	1PC28312BC613TA3	4354	SA-7EN	1360	1230	1600	13.0	89.5	330	
15	3600	254LP	575	RGZVILESD	1PC28312BA513TA3	3659	SA-7EN	945	855	1100	17.0	90.2	245	
15	1800	254LP	575	RGZVILESD	1PC28312BB513TA3	3799	SA-7EN	1185	1075	1400	18.7	91.0	245	
15	1200	284LPH	575	RGZVILESD	1PC28312EC113TA3	5243	SA-7EN	1975	1785	2120	20.0	90.2	375	
20	3600	256LP	575	RGZVILESD	1PC28312BA613TA3	4106	SA-7EN	950	850	1100	23.0	90.2	285	
20	1800	256LP	575	RGZVILESD	1PC28312BB613TA3	4327	SA-7EN	1200	1060	1400	26.0	91.0	285	
20	1200	286LPH	575	RGZVILESD	1PC28312EC413TA3	6174	SA-7EN	1990	1770	2120	26.0	90.2	520	
25	3600	284LPH	575	RGZVILESD	1PC28312EA113TA3	4903	SA-7EN	1460	1320	1475	29.0	91.0	375	
25	1800	284LPH	575	RGZVILESD	1PC28312EB113TA3	4825	SA-7EN	1725	1535	1850	29.0	92.4	375	
25	1200	324LP	575	RGZVILESD	1PC28313AC513TA3	7220	SA-7EN	2010	1750	1875	33.0	91.7	565	
30	3600	286LPH	575	RGZVILESD	1PC28312EA413TA3	5202	SA-7EN	1470	1310	1475	34.0	91.0	430	
30	1800	286LPH	575	RGZVILESD	1PC28312EB413TA3	5428	SA-7EN	1740	1520	1850	35.0	92.4	430	
30	1200	326LP	575	RGZVILESD	1PC28313AC613TA3	8071	SA-7EN	2035	1725	1875	39.0	91.7	600	
40	3600	324LP	575	RGZVILESD	1PC28313AA513TA3	6937	SA-7EN	1490	1290	1600	45.0	91.7	565	
40	1800	324LP	575	RGZVILESD	1PC28313AB513TA3	6727	SA-7EN	1770	1490	1650	47.0	93.0	565	
40	1200	364LP	575	RGZVILESD	1PC28313CC513TA3	10271	SA-7EN	2540	2140	2120	52.0	93.0	800	
50	3600	326LP	575	RGZVILESD	1PC28313AA613TA3	8500	SA-7EN	1505	1275	1600	55.0	92.4	600	
50	1800	326LP	575	RGZVILESD	1PC28313AB613TA3	7893	SA-7EN	1785	1475	1650	58.0	93.0	600	
50	1200	365LP	575	RGZVILESD	1PC28313CC613TA3	12085	SA-7EN	2560	2120	2120	66.0	93.0	875	
60	3600	364LP	575	RGZVILESD	1PC28313CA513TA3	10579	SA-7EN	1840	1510	1475	68.0	93.0	800	
60	1800	364LP	575	RGZVILESD	1PC28313CB513TA3	10527	SA-7EN	2330	2060	1850	71.0	93.6	800	
60	1200	404LP	575	RGZVILESD	1PC28314AC513TA3	13777	SA-7EN	2620	2060	2120	74.0	93.6	1290	
75	3600	365LP	575	RGZVILESD	1PC28313CA613TA3	12896	SA-7EN	1850	1500	1475	85.0	93.0	875	
75	1800	365LP	575	RGZVILESD	1PC28313CB613TA3	12937	SA-7EN	2345	1945	1850	87.0	94.1	875	
75	1200	405LP	575	RGZVILESD	1PC28314AC613TA3	16205	SA-7EN	2660	2020	2120	93.0	93.6	1300	
100	3600	405LP	575	RGZVILESD	1PC28314AA613TA3	17399	SA-7EN	1905	1445	1475	108.0	93.6	1300	
100	1800	405LP	575	RGZVILESD	1PC28314AB613TA3	15720	SA-7EN	2445	1845	1850	113.0	94.5	1300	
100	1200	444LP	575	RGZVILESD	1PC28314JC113TA3	21501	SA-7EN	2780	1900	2120	117.0	94.1	1740	
125	1800	444LP	575	RGZVILESD	1PC28314JB113TA3	19973	SA-7EN	2530	1760	1850	143.0	94.5	1740	
125	1200	445LP	575	RGZVILESD	1PC28314JC213TA3	27763	SA-7EN	2850	1830	2120	144.0	94.1	1930	
150	1800	445LP	575	RGZVILESD	1PC28314JB213TA3	23321	SA-7EN	2590	1700	1850	170.0	95.0	1930	
150	1200	447LP	575	RGZVILESD	1PC28314JC313TA3	32289	SA-7EN	2945	1735	2120	170.0	95.0	2280	
200	1800	447LP	575	RGZVILESD	1PC28314JB313TA3	30506	SA-7EN	2650	1645	1850	225.0	95.0	2280	
200	1200	449LP	575	RGZVILESD	1PC28314JC513TA3	32345	SA-7EN	3040	1640	2120	226.0	95.0	2600	
250	1800	449LP	575	RGZVILESD	1PC28314JB513TA3	33421	SA-7EN	2710	1590	1850	281.0	95.0	2600	
250	1200	449LP	575	RGZVILESD	1PC28314JC613TA3	34992	SA-7EN	3735	1550	2120	280.0	95.0	2600	

QuikMOD Delivery for stocked motors only.  
 Stock availability subject to change.  
 Prices and Specifications are subject to change without notice.



# Special features detail



## SIMOTICS NEMA Motors Modifications



# Special features detail

Siemens offers a wide selection of options to increase the suitability of our motors to the specific customer needs. They are classified in three different categories:

## QM = QuikMOD

Siemens QuikMOD program provides “quik” deliveries for a wide selection of motor modifications directly from our modification center in Southaven MS.

## MOD = Modification:

The modifications under this program are more complex in nature or require certain level of review before the modification can take place. Delivery time is built as a commitment between efficient engineering work and performance on the floor, typically less than 2 weeks.

## Custom:

Siemens can build your motor to your specific needs, all you have to do is pick the right option.

Custom option, Modifications and QuikMOD selections can be combined to fulfill your needs. Please contact Siemens for your specific delivery.

## Definitions:

**Part Number** – Consists of a combination of 16 figures and letters structured to describe the characteristics of the NEMA motor for order entry. Please refer to Section 1 for the complete part numbering system.

**Example:** 1LE21212AB214AA3 - GP100A, 10HP, 1800RPM, 208-230/460V, 215T, horizontal foot-mounted

## Part Number Positioning

1	2	3	4	5	6	7	8	9	10	11	12	13	14	15	16
1	L	E	2	1	1	1	2	A	A	2	1	4	A	A	3

**Order Code** – Figures or letters describing the **QuikMOD** or **Custom Option**.

**Order Code Position** – The position within the **Part Number** that the QuikMOD or Custom Option **Order Code** would be added.

## Ordering Instructions:

1. Select a stock motor from the **Motor Selection and Pricing Section**. (Note Part Number)
2. **Verify applicability of desired Option(s) at the end of the section**. (Per motor type and frame)
3. **Select applicable Option(s)**. (Note Order Code, Order Code Position and List Price Adder)
4. **Construct new Part Number and List Price**. (See example below)
  - a. If the **Order Code Position** is 12, 13, 14, 15 or 16, replace the figure(s) or letter(s) at the same position in the stock motor **Part Number** with the **Custom Option Order Code**.
  - b. If the **Option Order Code Position** is Z, add a '-Z' to the end of the stock motor **Part Number**. Then add a '+' sign followed by the **Custom Option Order Code**.

## Custom Options combined with QuikMOD Motor Pricing Example:

**Example:** 15HP, 1800RPM, 208-230/460V, 254T, SD100, Copper Rotor, D-flange with feet, PTC thermistors (3 embedded temperature sensors for tripping) with conduit to main box and Class H insulation.

<b>Base List Price:</b>	\$2,131	Part Number 1LE23112BB114AA3
<b>List Price Adders:</b>		
<b>D-Flange with Feet</b>	\$ 774	Order Code <b>F</b> , Order Code Position <b>14</b>
<b>PTC Thermistors</b>	\$ 634	Order Code <b>B</b> , Order Code Position <b>15</b>
<b>Condulet to Main Box</b>	\$ 251	Order Code <b>J02</b> , Order Code Position <b>Z</b>
<b>Class H Insulation</b>	<u>\$ 157</u>	Order Code <b>C00</b> , Order Code Position <b>Z</b>
<b>Total List Price:</b>	<b>\$3,947</b>	<b>New Part Number</b> – 1LE23112BB114FB3-Z + J02+C00
<b>Delivery:</b>		Please contact Siemens for delivery



# Special features detail

## Altitude

TEFC (General Purpose & Severe Duty) motors with a 1.15 service factor in a 40°C ambient at 3300 feet will operate at a 1.0 service factor in a 40°C ambient at altitudes up to 9900 feet. For altitudes greater than 9900 feet, please consult Siemens.

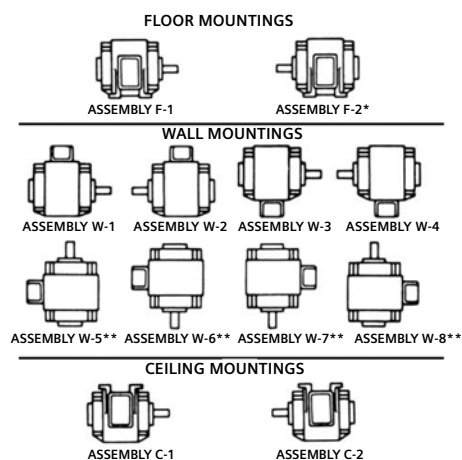
Standard motors will operate at their rated service factor at altitudes above 3300 feet at the corresponding ambient temperatures as shown in the following table.

Maximum Altitude in Feet	Ambient Temperature
3300 ft (1000m)	40°C (104°F)
6600 ft (2000m)	30°C (56°F)
9900 ft (3000m)	20°C (68°F)

## Ambient

TEFC (General Purpose & Severe Duty) motors with a 1.15 service factor in a 40°C ambient at 3300 feet will operate at a 1.0 service factor at 3300 feet altitude up to a 55°C ambient. For ambients greater than 55°C or below -25°C, please consult Siemens.

## Assembly - Mounting and Terminal Box Position



Assembly F-1, W-3, W-6, W-8 and C-2 – Standard Lead Location  
 Assembly F-2, W-1, W-4, W-5, W-7 and C-1 – Lead Location Opposite Standard

Siemens SIMOTICS motors can be furnished in assemblies shown. When motors are ordered according to a particular mounting, bearing brackets are assembled and grease fittings are properly installed for operation with the motor in the position shown. However, no attempt is made to locate fittings on any particular side of the motor.

### CAUTION:

\*\* Horizontal ball bearing motors assembly W-5, W-6, W-7 and W-8 are not suitable for external thrust in excess of the weight of the rotor and half-coupling.

# Special features detail

## Hardware

Stainless steel hardware, limited to bearing housing bolts, terminal housing bolts, and breather drains only.

## Hazardous Duty – Rerate

SIMOTICS motor type XP100 (Class I, Group C&D, Class II, Groups F & G, Division 1) with 1.0 service factor can be re-nameplated to 1.15 service factor for 140-250 frame motors only.

## Frequency Change

The following tabulation shows the synchronous speeds 60 Hertz 50 Hertz. For different frequencies or adjustable frequency applications, contact Siemens.

To derate a continuous duty 60 hertz motor to a continuous 50 hertz motor, use the modifiable list price of the next larger HP 60 hertz motor and add the list price as shown in the table. Motor will be Class F, 1.15 service factor.

## Service Factor

For non-standard service factor, contact Siemens.

## Space Heaters

Leads marked H1 & H2

List price addition covers space heaters installed in motors with leads terminated in the main conduit box. NEC (2011) requires any Division 2 motor that is not agency certified and is a general purpose non-explosion enclosure to permanently mark on a visible nameplate on the motor surface the max surface temp based on 40°C ambient – this plate will show 200°C.

CAUTION: Use in Division 2 areas with ignition temperatures below 250°C ( $250 \times .80 = 200$ ) should be avoided. [Reference: 501-8(b)].

No. of Poles	Speed (RPM)	
	60 Hertz	50 Hertz
2	3600	3000
4	1800	1500
6	1200	1000
8	900	750

For hazardous duty motors, contact Siemens.

# Special features detail

## Balance

All SIMOTICS motors are dynamically balanced to commercial limits measure in accordance with NEMA MG1-12.06.

Modified motors can be built to exceed standard commercial limits based on Table 1 below.

## Balance Limits

Maximum amplitude, inches, peak to peak

Balance	NEMA	Precision		Extra Precision		
RPM	143T	143T	364T	143T	284T	364T
	449T	326T	449T	256T	326T	449T
	mils P/P	mils P/P		mils P/P		
0 - 999	2.5	0.5	0.75	0.2	0.3	0.4
1000 - 1999	2.0	0.5	0.75	0.2	0.3	0.4
2000 - 2999	1.5	0.5	0.75	0.2	0.3	0.4
3000 - 4000	1.0	0.5	0.75	0.2	0.3	0.4

Velocity, inches, inches/seconds

Balance	NEMA	Precision		Extra Precision		
RPM	143T	143T	364T	143T	284T	364T
	449T	326T	449T	256T	326T	449T
	in/sec	in/sec		in/sec		
0 - 999	0.1308	0.0262	0.0392	0.1050	0.0157	0.0209
1000 - 1999	0.2093	0.0523	0.0785	0.0209	0.0314	0.0419
2000 - 2999	0.2355	0.0785	0.1178	0.0314	0.0471	0.0628
3000 - 4000	0.2094	0.1047	0.1571	0.0419	0.0628	0.0838

NOTE: IN P-P refers to amplitude displacement.

NEMA unfiltered velocity limit 0.15 in/s peak.

IEEE Std 841 unfiltered velocity limit 0.08 in/s peak.

NOTE: For balance limits greater than Precision balance, contact factory.

## Bearings

Insulated bearings are only available as sealed bearings. Motors having roller bearings (444T to 449T) require a minimum radial load. Use of these motors in direct connected applications is discouraged to avoid excessive drive end bearing noise and/or reduced bearing life.

## Connections

**Part Winding Start** - Starting torques are reduced at the motor shaft.

**Wye Start - Delta Run** - Starting torques are reduced at the motor shaft.

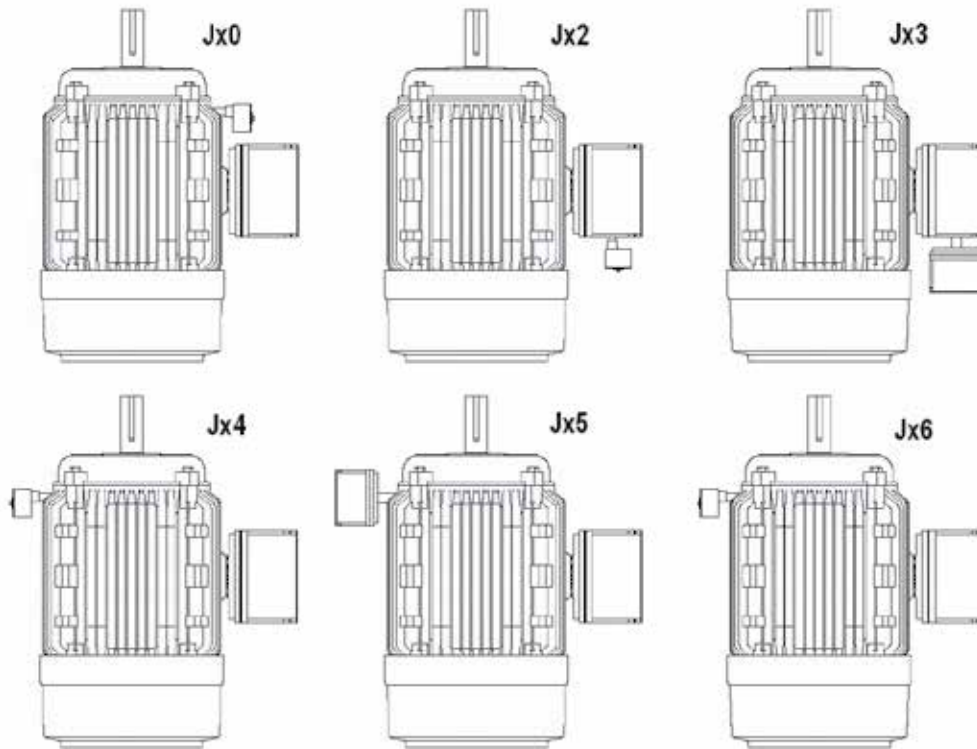
Standard 50 hertz voltages are 220, 380, 400, 415, 440, 550 and 220/380.

Standard 60 hertz voltages are 200, 230, 460, 575 and 230/460.

# Special features detail

## Auxiliary Boxes

	Condulet - Main Box side		Condulet to Main Box		Auxiliary Box to Main Box		Condulet - opposite to Main Box		Auxiliary Box - Opposite of Main Box		Explosion Proof Condulet - Opposite of Main Box	
PTC Thermistors	J00	J02	J03	J04	J05	J06						
Thermostats	J10	J12	J13	J14	J15	J16						
KTY84 Temperature Sensors	J20	J22	J23	J24	J25	J26						
Space Heaters	J50	J52	J53	J54	J55	J56						



### Couplings – Customer Supplied

Rigid couplings, flexible couplings, pinions and V-belt sheaves can be pressed on at List Price adders per the table below. Couplings, pinions or sheaves must be finish bored and key-seated to Siemens SIMOTICS shaft dimensions and must be shipped to the plant freight prepaid.

# Special features detail

## Hazardous Duty Motors

### Class I:

- Gr. B Hydrogen (not available)
- Gr. C Atmospheres containing ethyl and ether vapor
- Gr. D Atmospheres containing gasoline, petroleum, naphtha, alcohols, acetone lacquer solvent vapors and natural gas.

### Class II:

- Gr. E Atmospheres containing metal dust
- Gr. F Atmospheres containing carbon black, coal or coke dust.
- Gr. G Atmospheres containing grain dust.

For de-rate of XP100 motors, please consult factory.

## Paint

### Siemens standard finish paint consists of the following:

Modified Alkyd.

**Viscosity:** 28-30 seconds No.2 Zahn cup @ 77°F

**Fineness:** 7 N.S. units Hegeman gage

**Adhesion:** 90% Cross-hatch test (tape)

**Impact resistance:** 40 inch pounds direct - No cracks

**Composition:** Lead and Chromate free

**Color:** RAL 7030 stone gray

## Protective Devices

### Winding Protection

Control Modules are available for thermistors. Order Code A90. Add \$725 List. Shipped loose for customer installation.

Price does not include temperature readout devices. Contact factory for other resistance values.

Thermistors – leads marked PM1 & PM2

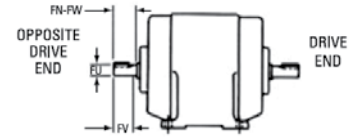
### Bearing Protection

Price does not include temperature readout devices. Contact factory for other resistance values.

# Special features detail

## Shafts

Standard dimensions are shown in the Dimensions section. The following opposite drive end standard double-end shafts are available as custom built motors. Shaft dimensions not shown should be referred to your Siemens Representative for quotation.



## Double-End Shafts, Standard Steel – Drive End Standard – Opposite Drive End as Follows

Frame	FU	Key	Order Code - M53			Order Code - M52		
			NEMA Standard Short Shaft			NEMA Standard Long Shaft		
			FN-FW	FV	Key Length	FN-FW	FV	Key Length
143-145T	0.625	0.188	-	-	-	162	1.38	0.91
182-184T	0.875	0.188	-	-	-	2.25	2.00	1.41
213-215T	1.125	0.25-0.25	-	-	-	2.75	2.50	1.75
254-156T	1.375	.312-.312	-	-	-	3.37	3.12	2.37
284-286T	1.625	.375-.375	3.25	3	1.87	4	3.75	2.87
324-326T	1.875	.50-.50	3.75	3.50	2	4.62	4.37	3.25
364-365T	1.875	.50-.50	3.75	3.50	2	4.62	4.37	3.25
404-405T	2.125	.50-.50	4.25	4	2.75	5.25	5	3.87
444-449T	2.375	.625-.625	4.75	4.50	3	5.87	5.62	4.25

## Testing

### Complete Test

Complete test consists of the following items tested in accordance with NEMA and IEEE-112 test standards.

- Full Load Heat Run
- Temperature Rise at F.L.
- Winding Resistance
- Rated F.L. Slip
- No Load Current
- Breakdown Torque
- Locked Rotor Torque-Amps
- High Potential Tests
- Efficiencies @ 100, 75, 50 Percent Load
- Power Factor @ 100, 75, 50 Percent Load

Test report of complete test is based on IEEE Std. Form A-2 and includes complete nameplate information.

### Routine Test

Routine test consists of the following items tested in accordance with IEEE standard 112.

- No Load Current
- No Load Speed
- Locked-Rotor Current
- Winding Resistance
- High Potential
- Bearings/Vibration Check

Vibration data is NOT recorded with a routine test. If required, please add.

Test report of routine test is based on IEEE Std. 112 Form A-1 and includes complete nameplate information.

### Calibration Tests

Calibration tests consist of 0-125% rated load test measurement of speed, torque, current, power factor and efficiency, at rated voltage. Data is curve rated voltage. Data is curve plotted, on Siemens standard format. Foot mounted motors only.

### Special Tests

For tests or reporting format other than those listed below, contact Siemens with complete specification, for price additions.

Customers will be notified approximately 2 weeks before witnessed testing.

Refer to Siemens for prices of test reports for adjustable speed drives.

Multispeed motor test reports are priced based upon the number of speeds tested.

List prices are at the following percentage of the single speed price:

One speed tested 100%      Two speeds tested 150%

Pricing: Five copies of each test report are provided on 8.5" x 11" paper suitable for reproduction.

Additional copies are available for \$55 List per copy.

### Vertical Jacking Provisions

This option is provided on foot mounted motors only. It is used to assist the installer in proper alignment of the motor shaft with the driven piece of equipment for shimming purposes. Siemens will provide the tapped hole (one per foot), four per motor. A 1/2-13 UNC threaded hole will be provided on 280T frame, a 3/4-10 UNC threaded hole on 320T-360T and a 7/8-14 UNF threaded hole on 400T-440T frames. The customer is responsible for providing the bolts.

# Special features detail

## V-belt sheave

## Recommended sheave diameters

HP	RPM	Frame	Narrow V <sup>1</sup> Min. dia.	Std. V <sup>2</sup> Min. dia.
50	900	404T	8.4	9.0
60	1800	364T	7.4	7.4
60	1200	404T	8.0	9.0
60	900	405T	10.0	10.0
75	1800	365T	8.6	9.0
75	1200	405T	10.0	10.0
75	900	444T	9.5	13.0
100	1800	405T	8.6	10.0
100	1200	444T	10.0	11.8
100	900	445T	12.0	15.0
125	1800	444T	10.5	12.0
125	1200	445T	12.4	15.2
125	900	447T	14.0	18.5
150	1800	445T	10.5	13.2
150	1200	447T	11.6	16.1
15	900	447T	14.6	24.7
200	1800	447T	13.2	15.8
200	1200	449T	14.6	25.0
200	900	449T	18.0	–
250	1800	449T	13.0	18.4
250	1200	449T	18.2	–
250	900	S449LS	19.8	–
300	1800	449T	15.4	24.8
300	1200	S449LS	18.4	–
350	1800	S449LS	15.8	–
350	1200	S449LS	21.0	–
400	1800	S449LS	18.0	–

**Notes:**

1. Example: 3V, 5V, 8V. Sheave face cannot overhand end of shaft.
2. Example: A, B, C, D section. Center of sheave width cannot overhang end of shaft.
3. Do not exceed belt service factor of 1.6. Follow manufacturer's instructions for alignment and belt tensioning.  
Position sheaves as close to the drive end bearing as possible. (Maximum 1/2" from shaft shoulder).
4. Maximum speed reduction of 5:1.
5. Shaft center distance approximately equal to diameter of largest sheave.
6. All dimensions in inches.

# Options selection and pricing

## Voltage (MLFB Digits 12 & 13)

	Single Speed, Voltage Across the Line					Part Winding Start	
	230V	460V	575V	208-230/460	230/460V	460V D 60Hz	575V D 60HZ
	11	12	13	14	16	22	23
	QM <sup>V1)</sup>	QM <sup>V1)</sup>			QM <sup>V1)</sup>		
GP100A	140-250	140-250	140-250	Std. 140-250	140-250	NA	NA
GP100	HP 1-75	HP 1-75 Std: HP > 75	140-440	Std. 140-250	140-250 Std: FS 280 - HP 75	280-440	280-440
SD100	HP 1-75	HP 1-20 Std: HP > 20	140-5440	Std. 140-250	1-75 HP	280-5440	280-5440
SD100 IEEE841	HP 1-75	Std 140-5440	140-5440	NA	NA	280-5440	280-5440
SD661	180-360	Std: 180-360	180-360	NA	NA	280-360	280-360
RGZ(K)ESDI	NA	Std: 140-5440	NA	NA	NA	280-5440	280-5440
XP100	1-100 HP	HP 1-100 Std: HP > 100	140-440	Std. 140-250	140-250 Std: FS 280 - HP 100	280-440	280-440
XP100 ID1	1-100 HP	HP 1-100 Std: HP > 100	140-440	Std. 140-250	140-250 Std: FS 280 - HP 100	280-440	280-440
SD10 MS	NA	NA	NA	NA	NA	NA	NA
RGZV(IL)ESD	HP I-20	HP 1-20 Std: HP >20	140-440	NA	HP 25-75 Std: HP < 25	280-440	280-440

	Wye Start -Delta Run		Multi-Speed 4/8 Poles		Special Voltage	
	460V 60Hz	575V 60HZ	460V	575V	200-460V	461-600V
	32	33	40	44	90+M1Y	90+M2Y
GP100A	NA	NA	NA	NA	140-250	140-250
GP100	280-440	280-440	NA	NA	140-440	140-440
SD100	280-5440	280-5440	NA	NA	140-5440	140-5440
SD100 IEEE841	280-5440	280-5440	NA	NA	140-5440 <sup>V2)</sup>	140-5440 <sup>V2)</sup>
SD661	280-360	280-360	NA	NA	140-360 <sup>V2)</sup>	140-360 <sup>V2)</sup>
RGZ(K)ESDI	280-5440	280-5440	NA	NA	NA	NA
XP100	280-440	280-440	NA	NA	140-440	140-440
XP100 ID1	280-440	280-440	NA	NA	140-440	140-440
SD10 MS	NA	NA	Std	140-440	140-440	140-440
RGZV(IL)ESD	280-440	280-440	NA	NA	140-440	140-440

## List Price

	Single Speed					Part Winding Start		Wye Start - Delta Run		Multi-Speed		Special Voltage	
	230V	460V	575V	208-230/460	230/460V	460V D 60Hz	575V D 60HZ	460V 60Hz	575V 60HZ	460V	575V	200-460V	461-600V
	11	12	13	14	16	22	23	32	33	40	44	90+M1Y	90+M2Y
140	123	123	0	0	119	-	-	-	-	0	0	120	120
180	123	123	0	0	123	-	-	-	-	0	0	120	120
210	138	138	0	0	133	-	-	-	-	0	0	120	120
250	159	159	0	0	154	-	-	-	-	0	0	166	166
280	161	161	-	-	165	165	165	165	165	0	0	200	200
320	161	161	-	-	200	200	200	200	200	0	0	482	482
360	191	191	-	-	294	294	294	294	294	0	0	546	546
400	191	191	-	-	461	461	461	461	461	0	0	714	714
440	230	230	-	-	767	767	767	767	767	0	0	1187	1187
S449	-	-	-	-	768	768	768	768	768	0	0	1486	1486

V1) QuikMOD only for 208-230/460V and 230/460V stock motors.

V2) Only single voltage is allowed.



# Options selection and pricing

## Flanges and Bearing Housing <sup>H1)</sup> (MLFB Dig. 14)

	Foot Mounted				
	End Shield	C - Face	D - Flange	C - Face w/Drip Cover	D - Flange w/Drip Cover
	A	E	F	N	P
		QM 140-440	QM 140-250 <sup>H3)</sup>	QM 140-400	QM 140-250 <sup>H3)</sup>
GP100A	Std	140-250	140-250	140-250	140-250
GP100	Std	140-440	140-440	140-440	140-440
SD100	Std	140-S440	140-S440	140-440	140-440
SD100 IEEEE841	Std	140-S440 <sup>H2)</sup>	140-S440 <sup>H2)</sup>	140-440 <sup>H2)</sup>	140-440 <sup>H2)</sup>
SD661	Std	–	–	–	–
RGZ(K)ESDI	Std	140-440	140-440	140-440	140-440
XP100	Std	140-440	280-440	140-440	280-440
XP100 ID1	Std	140-440	280-440	140-440	280-440
SD10 MS	Std	140-440	140-440	140-440	140-440
RGZV(IL)ESD	NA	NA	NA	NA	NA

	Round Body			
	C - Face	D - Flange	C - Face w/Drip Cover	D - Flange w/Drip Cover
	G	H	L	M
	QM (GP100A) 140-250	QM (GP100A) 140-250	QM 140-250 <sup>H4)</sup>	MOD (GP100A) 140-250
GP100A	140-250	140-250	NA	NA
GP100	140-440	140-440	140-440	140-440
SD100	140-440	140-440	140-440	140-440
SD100 IEEEE841	140-440 <sup>H2)</sup>	140-440 <sup>H2)</sup>	140-440 <sup>H2)</sup>	140-440 <sup>H2)</sup>
SD661	NA	NA	NA	NA
RGZ(K)ESDI	140-250	140-250	140-250	140-250
XP100	140-440	280-440	140-440	280-440
XP100 ID1	140-440	280-440	140-440	280-440
SD10 MS	140-250	140-250	140-250	140-250
RGZV(IL)ESD	NA	NA	NA	NA

## List Price

	Foot Mounted					Round Body			
	End Shield	C - Face	D - Flange	C - Face w/Drip Cover	D - Flange w/Drip Cover	C - Face	D - Flange	C - Face w/Drip Cover	D - Flange w/Drip Cover
	A	E	F	N	P	G	H	L	M
140	0	106	284	359	437	90	302	214	455
180	0	154	361	402	514	132	396	237	549
210	0	164	396	436	549	132	428	239	581
250	0	229	774	792	941	180	809	318	976
280	0	870	1086	1037	1253	939	1224	1106	1391
320	0	941	1269	1236	1564	1029	1452	1324	1747
360	0	1016	1481	1615	2080	1308	2005	1907	2604
400	0	1261	1976	2099	2814	1684	2779	2522	3617
440	0	1493	2387	3043	3937	2303	3896	3853	5446
S449	0	cf	cf	–	–	–	–	–	–

H1) C-Face and D-Flanges only on motors with ball bearings.

H2) Not available for FS 440, 2 pole motors.

H3) H dimension, on QuikMOD or MOD, see Drw H6.

H4) Except for SD841 copper rotor.

# Options selection and pricing

## Winding Protection (MLFB Digit 15)

	Without Protection	PTC Thermistors		KTY8-130 Thermistors
		3 Embedded, 1 per Phase	6 Embedded, 2 per Phase	2 Embedded
	A	B	C	F
GP100A	Std	NA	NA	NA
GP100	Std	140-440	140-440	140-440
SD100	Std	140-S440	140-S440	140-S440
SD100 IEEEE841	Std.	140-S440	140-S440	140-S440
SD661	Std	180-360	180-360	180-360
RGZ(K)ESDI	NA	140-S440	140-S440	140-S440
XP100	NA	140-440	140-440	140-440
XP100 ID1	Std	140-440	140-440	140-440
SD10 MS	Std	140-440	140-440	140-440
RGZV(IL)ESD	Std	140-440	140-440	140-440

	Thermostats	Thermocouples	Stator RTDs 100 Ohms	Thermostats + Stator RTDs
	Klixon Type, MC 1 x phase	DE and N DE, Not Embedded	W/Aux. Box, & Terminal Strip <sup>P1)</sup> 2 x Phase	(G + K)
	G	J	K	L
	QM (GP & SD) <sup>P3)</sup>			
GP100A	NA	NA	NA	NA
GP100	140-440	360-440	360-440	360-440
SD100	140-S440	360-S440	360-S440	360-S440
SD100 IEEEE841	140-S440	360-S440	360-S440	360-S440
SD661	180-360	360	360	360
RGZ(K)ESDI	Std	360-S440	360-S440	360-S440
XP100	Std	NA	360-440 <sup>P2)</sup>	360-440 <sup>P2)</sup>
XP100 ID1	NA	NA	NA	NA
SD10 MS	140-440	360-440	360-440	360-440
RGZV(IL)ESD	140-440	360-440	360-440	360-440

## List Price

	Without Protection	PTC Thermistors	PTC Thermistors	KTY84-130 Thermistors	Thermostats	Thermocouples	Stator RTDs 100 Ohms	Thermostats + Stator RTDs
		3 Embedded, 1 per Phase	6 Embedded, 2 per Phase	2 Embedded	Klixon Type, MC 1 x Phase	DE and N DE Not Embedded	W/Aux. Box, & Terminal Strip <sup>P1)</sup> 2 per Phase	(G + K)
	A	B	C	F	G	J	K	L
140	0	634	1268	981	229	–	–	–
180	0	634	1268	981	229	–	–	–
210	0	634	1268	981	229	–	–	–
250	0	634	1268	981	229	–	–	–
280	0	634	1268	981	229	–	–	–
320	0	634	1268	981	306	–	–	–
360	0	634	1268	981	306	1814	3053	2795
400	0	634	1268	981	459	1814	3053	2795
440	0	634	1268	981	566	1814	3053	2795
5449	0	634	1268	981	661	1887	3175	2868

P1) Auxiliary box opposite to main terminal box.

P2) No terminal strip is provided.

P3) GP and SD motors only.

# Options selection and pricing

## Mounting <sup>M1)</sup> (MLFB Digit 16)

	Floor Mount, T. Box Top	Ceiling Mount, T. Box LHS	Floor Mount, T. Box RHS	Standard Mount, T. Box LHS	Wall Mount, Shaft Down T. Box LHS	Wall Mount, Shaft Down T. Box RHS	Wall Mount, Shaft Up T. Box RHS
	F-3	C-2	F-2	F-1	W-6	W-7	W-5
	0	1	2	3	4	5	6
	QM	QM	QM <sup>M2, M3)</sup>		QM (140-400), MOD (440) <sup>M3)</sup>	QM (140-400), MOD (440) <sup>M3)</sup>	QM (140-400), MOD (440) <sup>M3)</sup>
GP100A	140-250	140-250	140-250	Std	140-250	140-250	140-250
GP100	NA	140-440	140-440	Std	140-440	140-440	140-440
SD100	NA	140-S440	140-S440	Std	140-S440	140-S440	140-S440
SD100 IEEE841	NA	140-S440	140-S440	Std	140-S440	140-S440	140-S440
SD661	NA	180-360	180-360	Std	180-360	180-360	180-360
RGZ(K)ESDI	NA	140-440	NA	140-S440	140-S440	140-S440	NA
XP100	NA	140-440	140-440	Std	140-440	140-440	140-440
XP100 ID1	NA	140-440	140-440	Std	140-440	140-440	140-440
SD10 MS	NA	140-440	140-440	Std	140-440	140-440	140-440
RGZV(IL)ESD	NA	NA	NA	Std	NA	NA	NA

	Wall Mount, Shaft Up T. Box LHS	Ceiling Mount, T. Box RHS	Wall Mount, Shaft Right T. Box RHS	Wall Mount, Shaft Left T. Box LHS	Wall Mount, Shaft Right T. Box LHS	Wall Mount, Shaft Left T. Box RHS
	W-8	C-1	W-1	W-2	W-3	W-4
	7	8	9 +R1A	9 +R2A	9 +R3A	9 +R4A
	QM (140-400), MOD (440) <sup>M3)</sup>	QM <sup>M2), M3)</sup>	QM <sup>M3)</sup>	QM	QM	QM <sup>M3)</sup>
GP100A	140-250	140-250	140-250	140-250	140-250	140-250
GP100	140-440	140-440	140-440	140-440	140-440	140-440
SD100	140-S440	140-S440	140-S440	140-S440	140-S440	140-S440
SD100 IEEE841	140-S440	140-S440	140-S440	140-S440	140-S440	140-S440
SD661	180-360	180-360	180-360	180-360	180-360	180-360
RGZ(K)ESDI	140-S440	NA	NA	140-440	140-440	140-440
XP100	140-440	140-440	140-440	140-440	140-440	140-440
XP100 ID1	140-440	140-440	140-440	140-440	140-440	140-440
SD10 MS	140-440	140-440	140-440	140-440	140-440	140-440
RGZV(IL)ESD	NA	NA	NA	NA	NA	NA

## List Price

	Floor Mount, T. Box top	Ceiling Mount, T. Box LHS	Floor Mount, T. Box RHS	Standard Mount, T. Box LHS	Wall Mount, Shaft Down T. Box LHS	Wall Mount, Shaft Down T. Box RHS	Wall Mount, Shaft Up T. Box RHS	Wall Mount, Shaft Up T. Box LHS	Ceiling Mount, T. Box RHS	Wall Mount, Shaft Up T. Box RHS	Wall Mount, Shaft Left T. Box LHS	Wall Mount, Shaft Up T. Box LHS	Wall Mount, Shaft Left T. Box RHS
	F-3	C-2	F-2	F-1	W-6	W-7	W-5	W-8	C-1	W-1	W-2	W-3	W-4
	0	1	2	3	4	5	6	7	8	9 +R1A	9 +R2A	9 +R3A	9 +R4A
140	125	134	284	0	202	288	284	131	284	284	130	130	284
180	125	134	284	0	202	288	284	131	284	284	130	130	284
210	125	134	284	0	202	288	284	131	284	284	130	130	284
250	125	134	284	0	202	288	284	131	284	284	130	130	284
280	–	134	284	0	202	288	284	131	284	284	130	130	284
320	–	134	284	0	202	288	284	131	284	284	130	130	284
360	–	134	284	0	202	288	284	131	284	284	130	130	284
400	–	134	284	0	202	288	284	131	284	284	130	130	284
440	–	134	284	0	202	288	284	131	284	284	130	130	284
S449	–	134	284	0	202	288	284	131	294	294	130	130	284

M1) T. Box position viewed from the DE.

M2) Only available as custom build for XP100 motors.

M3) XP motors and S440 frames only available as custom build.

# Options selection and pricing

## Bearing and Lubrication

	Special Grease <sup>L5)</sup>		Grease Fitting	Roller Bearings	Ball Bearings <sup>L2), L6)</sup>
	Mobil 28	Mobilith SHC 100	Pressure Relief	In Lieu of Ball Bearings	Sealed
	<b>L57</b>	<b>L58</b>	<b>L60</b>	<b>L65</b>	<b>L68</b>
	<b>MOD</b>	<b>MOD</b>	<b>QM</b>		<b>QM</b>
GP100A	NA	NA	NA	NA	NA
GP100	NA	NA	NA	NA	140-440
SD100	140-5440	140-5440	140-5440	280-400	400-5440
SD100 IEEEE841	NA	NA	Std	280-400	400-5440
SD661	NA	NA	Std	NA	NA
RGZ(K)ESDI	140-440	140-440	140-440	280-440	140-5440
SD100	140-5440 2 & 8 pole 280-360	140-5440 2 & 8 pole 280-360	140-5440	NA	400-5440
SD100 IEEEE841			140-5440	NA	400-5440
XP100	140-440	140-440	NA	280-400	140-440
XP100 ID1	140-440	140-440	NA	280-400	140-440
SD10 MS	140-440	140-440	280-440	280-400	140-440
RGZV(IL)ESD	140-440	140-440	140-440	NA	NA

	Insulated Bearing		Hybrid Bearings (Ceramic Ball)		Bearing Thermal Protection
	Both Ends <sup>L1), L6)</sup>	Opposite Drive End	Both Ends <sup>L6)</sup>	Opposite Drive End	100 Ω RTDs Both Ends and Terminal Block
	<b>L66</b>	<b>L67</b>	<b>L69</b>	<b>L70</b>	<b>A51</b>
		2 & 8 pole 280-360	<b>QM</b>	<b>QM</b>	
GP100A	NA	NA	NA	NA	NA
GP100	NA	NA	NA	NA	NA
SD100	140-250	140-250	140-5440	140-5440	400-5440
SD100 IEEEE841	NA	NA	140-5440	140-5440	400-5440
SD661	NA	NA	180-360	180-360	NA
RGZ(K)ESDI	280-5440	280-5440	NA	NA	400-5440
XP100	NA	NA	NA	NA	NA
XP100 ID1	NA	NA	NA	NA	NA
SD10 MS	140-440	140-440	NA	NA	400-440
RGZV(IL)ESD	NA	NA	NA	NA	400-440

## List Price

	Special Grease <sup>L5)</sup>		Grease Fitting	Roller Bearings	Ball Bearings <sup>L2), L6)</sup>	Insulated Bearing		Hybrid Bearings (Ceramic Ball)		Bearing Thermal Protection
	Mobil 28	Mobilith SHC 100	Pressure Relief	In Lieu of Ball Bearings	Sealed	Both Ends <sup>L1), L6)</sup>	Opposite Drive End	Both Ends <sup>L6)</sup>	Opposite Drive End	100 Ω RTDs Both Ends and Terminal Block
	<b>L57</b>	<b>L58</b>	<b>L60</b>	<b>L65</b>	<b>L68</b>	<b>L66</b>	<b>L67</b>	<b>L69</b>	<b>L70</b>	<b>A51</b>
140	485	336	186	–	229	765	–	1328	664	–
180	895	336	186	–	229	765	–	1328	664	–
210	895	336	186	–	229	1050	–	2096	1048	–
250	895	336	186	–	458	1315	–	2332	1166	–
280	895	336	186	1215	458	2496	1252	3316	1658	–
320	1230	634	186	1215	458	2961	1484	4818	2409	–
360	1230	634	186	1215	572	3523	1761	6236	3118	–
400	1640	634	186	1215	916	7645	3823	10850	5425	3347
440	1640	634	186	–	916	11767	5884	11606	5803	3347
S449	1640	634	186	–	1207	11843	8343	12750	6150	3347

L1) 2 & 8 Pole FS 280-360, FS 440.

L2) Except 2 pole, 360+frames.

L3) 280-360 frames, only for 2 and 8 Poles.

L4) Aegis SGR®.

L5) Provided with single shielded bearings.

L6) Ball bearings only.

# Options selection and pricing

## Shafts and Seals

	Special Shaft				NEMA Standard Shaft		Bering Isolator + grinding brush <sup>S2)</sup>
	Keyless shaft	C4140 Carbon Steel	Customer Specific Drive End	Customer Specific Opposite Drive End	Short Shaft Opposite Drive End	Long Shaft Opposite Drive End	Drive End
	M41 <sup>S1)</sup>	M57	Y50	Y51	M53	M52	L86
							MOD
GP100A	NA	NA	NA	NA	NA	NA	NA
GP100	NA	NA	140-440	NA	NA	NA	NA
SD100	140-S440	400-S440	140-S440	140-S440	140-440	140-440	140-S440
SD100 IEEEE841	140-S440	400-S440	140-S440	140-S440	140-440	140-440	140-S440
SD661	NA	180-360	180-360	180-360	180-360	180-360	NA
XP100	140-440	400-440	140-440	140-440	140-440	140-440	NA
XP100 ID1	140-440	400-440	140-440	140-440	140-440	140-440	NA
SD10 MS	140-440	400-440	140-440	140-440	140-440	140-440	NA
RGZV(IL)ESD	NA	CF	CF	NA	NA	NA	NA

	Inpro® Seal			Brass Seal	Shaft Ring Brush Metal <sup>S3)</sup>	Shaft Grounding Brush	Slinger & O Ring
	Drive End	Opposite Drive End	Both Ends		Opposite Drive End		(4, 6, 8 Pole Only)
	L79	L80	L81	L84	M42	L29	L76
							QM
							MOD
GP100A	NA	NA	NA	NA	NA	NA	NA
GP100	140-440	NA	NA	NA	140-440	NA	250-440
SD100	140-S440	140-S440	140-S440	NA	NA	280-440	140-440
SD100 IEEEE841	NA	NA	Std	NA	NA	280-440	140-440
SD661	NA	NA	Std	NA	NA	NA	180-360
XP100	140-440	140-440	140-440	140-400	NA	NA	140-440
XP100 ID1	140-440	140-440	140-440	140-440	NA	NA	140-440
SD10 MS	140-440	140-440	140-440	140-440	NA	280-440	140-440
RGZV(IL)ESD	NA	NA	NA	NA	NA	NA	NA

## List Price

	Special Shaft				NEMA Standard Shaft		Bearing Isolator + grinding brush <sup>S2)</sup>	Inpro® Seal				Brass Seal	Shaft Ring Brush (Metal) <sup>S3)</sup>	Shaft Grounding Brush	Slinger & O Ring
	Keyless Shaft	C4140 Carbon Steel	Drive End	Opposite Drive End	Short Shaft ODE	Long Shaft ODE	Drive End	Drive End	Opposite Drive End	Both Ends		Opposite Drive End			(4, 6, 8 Pole only)
	K41	M57	Y50	Y51	M53	M52	L86	L79	L80	L81	L84	M42	L29	L76	
140	250	–	CF		132	132	747	511	511	1021	133	321	–	88	
180	250	–	CF		132	132	807	511	511	1021	133	342	–	88	
210	250	–	CF		132	132	845	533	533	1066	133	375	–	88	
250	250	–	CF		176	176	975	622	622	1244	133	456	–	121	
280	250	–	CF		272	272	975	644	644	1289	133	489	3092	121	
320	250	–	CF		392	392	1134	678	678	1356	133	561	3092	164	
360	250	–	CF		443	443	1134	778	778	1556	133	743	3092	164	
400	250	4667	CF		490	490	1356	955	955	1911	133	930	3092	213	
440	250	5004	CF		558	558	1638	1044	1044	2088	133	2270	3092	213	
S449	250	5106	CF		558	558	2070	1044	1044	2088	–	1998	–	213	

S1) Shaft dimensions outside NEMA MG1.

S2) MSG - Inpro/Seal® + Grinding Brush Shaft dimensions outside NEMA MG1.

S3) AEGIS® Grinding brush.

# Options selection and pricing

## Frame

	Rotation Arrow			Hardware	Lifting Eyebolt
	Bi-directional (No Uni-directional)	Clockwise <sup>F1)</sup>	Counter-clockwise <sup>F1)</sup>	Stainless Steel (Inc. T drain SS)	
	K70	K71	K72	L22	L20
	QM	QM	QM MOD (SD: 2 & 4 poles) <sup>F2)</sup>	QM MOD (FS 180 w/feet) <sup>F3)</sup>	QM
GP100A	140-250	140-250	140-250	NA	Std
GP100	140-440	140-440	140-440	140-440	140
SD100	140-S440	140-S440	140-S440	140-S440	140
SD100 IEEEE841	140-S440	140-S440	140-S440	280-S440 <sup>F4)</sup>	Std
SD661	180-360	180-360	180-360	180-360 <sup>F4)</sup>	Std
RGZ(K)ESDI	140-S440	140-S440	140-S440	140-S440	140
XP100	140-440	140-440	140-440	NA	140
XP100 ID1	140-440	140-440	140-440	NA	140
SD10 MS	140-440	140-440	140-440	140-440	140
RGZV(IL)ESD	140-440	140-440	140-440	NA	NA

	Grounding (Frame)	Drain Plugs		Fan	
	Provision (Tapped Hole w/Bolt)	T Drain SS	Crouse Hinds (UL Approved)	Aluminum	Bronze
	L27	L45	L46	M09	M10
	QM	QM	QM	MOD	MOD
GP100A	NA	NA	NA	NA	NA
GP100	140-440	140-440	NA	NA	140-440
SD100	140-S440	140-S440	280-S440	140-440	140-440
SD100 IEEEE841	140-S440	140-S440	280-S440	NA	140-440
SD661	180-360	180-210	280-360	NA	180-360
RGZ(K)ESDI	140-S440	140-S440	280-S440	NA	NA
XP100	140-440	NA	280-440	NA	NA
XP100 ID1	140-440	NA	280-360 Std 440	NA	NA
SD10 MS	140-440	140-440	280-440	NA	140-440
RGZV(IL)ESD	140-440	NA	NA	NA	140-440

## List Price

	Rotation Arrow			Hardware	Lifting Eyebolt	Grounding	Drain Plugs		Fan	
	Bi-directional	Clockwise <sup>F1)</sup>	CCW <sup>F1)</sup>	SS + T Drain SS		Provision	T Drain SS	Crouse Hinds	Aluminum	Bronze
	K70	K71	K72	L22	L20	L27	L45	L46	M09	M10
140	142	142	142	203	43	142	161	-	145	546
180	142	142	142	203	-	142	161	-	163	546
210	142	142	142	203	-	142	161	-	166	706
250	142	142	142	203	-	164	234	-	197	752
280	142	142	142	203	-	164	234	353	209	941
320	142	142	142	251	-	186	234	353	228	1137
360	142	142	142	308	-	186	307	353	222	1190
400	142	142	142	380	-	186	307	353	273	1325
440	142	142	142	468	-	266	307	353	315	1830
S449	142	142	142	641	-	266	307	353	-	-

F1) Rotation viewed from the ODE.

F2) Only a MOD for 2 & 4 Poles on SD100 and SD841 motors.

F3) Only a MOD when Digit 14 <> A on FS 180.

F4) Provided with Crouse hinds breather drain.

F5) Round frame only.

# Options selection and pricing

## Frame (cont'd)

	Nameplates					
	Additional Nameplate (Replica of Original)	Derate - S.F. Altitude, and/or Ambient Temperature	Auxiliary Nameplate Max. 40 Characters	Division 2 Nameplate	Space Heaters Caution Plate	Lubrication Plate
	M21	Y80	Y82	M22	M23	M24
		QM	QM	QM	QM	QM
GP100A	140-250	140-250	140-250	NA	NA	NA
GP100	140-440	140-440	140-440	NA	140-S440	140-S440
SD100	140-S440	140-S440	140-S440	140-S440	140-S440	140-S440
SD100 IEEEE841	140-S440	140-S440	140-S440	140-S440	140-S440	140-S440
SD661	180-360	180-360	180-360	180-360	180-360	180-360
RGZ(K)ESDI	140-S440	140-S440	140-S440	140-S440	NA	NA
XP100	140-440	140-440	140-440	NA	140-440	NA
XP100 ID1	140-440	140-440	140-440	NA	NA	NA
SD10 MS	140-440	140-440	140-440	140-440	140-440	140-440
RGZV(IL)ESD	140-440	140-440	140-440	140-440	140-440	140-440

	Stainless Steel Eyebolt	Drip Cover	Lifting Hooks	Provisions for Dowel Holes	Vertical Jacking
			(No Drip Cover) <sup>F5)</sup>		Provisions
	M28	K33 <sup>F6)</sup>	K34	K38	M39
	QM	QM	MOD (140-250)	MOD	MOD
GP100A	NA	140-250	NA	NA	NA
GP100	NA	140-440	140-440	280-440	280-440
SD100	140-S440	140-440	140-440	280-S440	280-S440
SD100 IEEEE841	140-S440	140-440	140-440	280-S440	280-S440
SD661	180-360	180-360	180-360	280-360	280-360
RGZ(K)ESDI	NA	NA	NA	NA	NA
XP100	140-440	140-440	140-440	NA	280-440
XP100 ID1	NA	140-440	NA	NA	280-440
SD10 MS	140-440	140-440	NA	NA	280-440
RGZV(IL)ESD	140-440	NA	NA	NA	NA

## List Price

	Nameplates						Stainless Steel Eyebolt	Drip Cover	Lifting Hooks <sup>F5)</sup>	Provisions for Dowel Holes	Vertical Jacking
	Replica of Original	Derate	Auxiliary	Division 2 Nameplate	Space Heaters	Lubrication Plate			(No Drip Cover)		Provisions
	M21	Y80	Y82	M22	M23	M24	M28	K33 <sup>F6)</sup>	K34	K38	M39
140	164	164	164	322	43	104	161	153	235	-	-
180	164	164	164	322	43	104	161	153	286	-	-
210	164	164	164	322	43	104	161	153	286	-	-
250	164	164	164	322	43	104	161	167	388	-	-
280	164	164	164	322	43	104	161	167	416	435	890
320	164	164	164	322	43	104	161	295	720	483	890
360	164	164	164	322	43	104	161	599	720	530	890
400	164	164	164	322	43	104	161	838	908	614	890
440	164	164	164	322	43	104	161	1550	1001	915	890
S449	164	164	164	322	43	104	161	1550	1001	915	890

F1) Rotation viewed from the ODE.

F2) Only a MOD when Digit 14 &lt;&gt; A on FS 180.

F3) Only a MOD for 2 &amp; 4 Poles on SD100 and SD841 motors.

F4) Provided with Crouse Hinds breather drain.

F5) Round frame only.

F6) Not applicable when MLFB dg. 14 is N,P,L or M (see pg. 3-11).

# Options selection and pricing

## Terminal Box

	Main Terminal Box				Auxiliary Box Opp. Main Box Side for			
	Cast Iron	J84 = Entry from DE	J85 = Entry from top	Entry from NDE	PTC	Thermostats	KTY84	Space Heaters
	L01	J84	J85	J86	J05	J15	J25	J55
	MOD	QM	QM	QM		MOD		MOD
GP100A	NA	NA	NA	NA	NA	NA	NA	NA
GP100	140-400	140-440	140-440	140-440	280-S440	280-S440	280-S440	280-S440
SD100	Std	140-S440	140-S440	140-S440	280-S440	280-S440	280-S440	280-S440
SD100 IEEEE841	Std	140-S440	140-S440	140-S440	280-S440	280-S440	280-S440	280-S440
SD661	Std	180-360	180-360	180-360	280-360	280-360	280-360	280-360
RGZ(K)ESDI	Std	140-S440	140-S440	140-S440	280-S440	280-S440	280-S440	280-S440
XP100	Std	140-440	140-440	140-440	NA	NA	NA	NA
XP100 ID1	Std	140-440	140-440	140-440	NA	NA	NA	NA
SD10 MS	Std	140-440	140-440	140-440	280-440	280-440	280-440	280-440
RGZV(IL)ESD	NA	140-440	140-440	140-440	280-440	280-440	280-440	280-440

	Auxiliary Box to Main Box for <sup>B1)</sup>				Condulet on Same Side of Main Box for			
	PTC	Thermostats	KTY84	Space Heaters	PTC	Thermostats	KTY84	Space Heaters
	J03	J13	J23	J53	J00	J10	J20	J50
	MOD	MOD	MOD	MOD				
GP100A	NA	NA	NA	NA	NA	NA	NA	NA
GP100	NA	NA	NA	NA	280-440	280-440	280-440	280-440
SD100	280-S440	280-S440	280-S440	280-S440	280-S440	280-S440	280-S440	280-S440
SD100 IEEEE841	280-S440	280-S440	280-S440	280-S440	280-S440	280-S440	280-S440	280-S440
SD661	280-360	280-360	280-360	280-360	280-360	280-360	280-360	280-360
RGZ(K)ESDI	NA	NA	NA	NA	NA	NA	NA	NA
XP100	NA	NA	NA	NA	NA	NA	NA	NA
XP100 ID1	NA	NA	NA	NA	NA	NA	NA	NA
SD10 MS	280-440	280-440	280-440	280-440	280-440	280-440	280-440	280-440
RGZV(IL)ESD	280-440	280-440	280-440	280-440	NA	NA	NA	NA

## List Price

	Main Terminal Box				Auxiliary Box Opp. Main Box Side for				Auxiliary Box to Main Box for <sup>B1)</sup>				Condulet on Same Side of Main Box for			
	Cast iron	J84 = Entry from DE	J85 = Entry from top	Entry from NDE	PTC	Thermo- stats	KTY84	Space Heaters	PTC	Thermo- stats	KTY84	Space Heaters	PTC	Thermo- stats	KTY84	Space Heaters
	L01	J84	J85	J86	J05	J15	J25	J55	J03	J13	J23	J53	J00	J10	J20	J50
140	148	134	134	134	-	-	-	-	-	-	-	-	-	-	-	-
180	154	134	134	134	-	-	-	-	-	-	-	-	-	-	-	-
210	161	134	134	134	-	-	-	-	-	-	-	-	-	-	-	-
250	167	134	134	134	-	-	-	-	-	-	-	-	-	-	-	-
280	180	134	134	134	443	443	443	443	415	415	415	415	235	235	235	235
320	199	134	134	134	443	443	443	443	415	415	415	415	235	235	235	235
360	218	134	134	134	443	443	443	443	415	415	415	415	235	235	235	235
400	251	134	134	134	443	443	443	443	415	415	415	415	235	235	235	235
440	-	134	134	134	443	443	443	443	415	415	415	415	235	235	235	235
S449	-	134	134	134	443	443	443	443	415	415	415	415	235	235	235	235

B1) GP motors: Only for motors with cast iron terminal box.

B2) MOD if mounting with T. box on RHS, (MLFB digit 16 = 2, 5, 6, or 8).

B3) Limited to three leads.



# Options selection and pricing

## Terminal Box (cont'd)

	Conduit Opposite to Main Box Side for <sup>B1)</sup>							
	PTC	Thermostats	KTY84	Space Heaters	PTC (EX)	Thermostats (EX)	KTY84 (EX)	Space Heaters (EX)
	J04	J14	J24	J54	J06	J16	J26	J56
		MOD		MOD				
GP100A	NA	NA	NA	NA	NA	NA	NA	NA
GP100	280-440	280-440	280-440	280-440	NA	NA	NA	NA
SD100	280-440	280-440	280-440	280-440	NA	NA	NA	NA
SD100 IEEEE841	280-440	280-440	280-440	280-440	NA	NA	NA	NA
SD661	280-360	280-360	280-360	280-360	NA	NA	NA	NA
RGZ(K)ESDI	NA	NA	NA	NA	NA	NA	NA	NA
XP100	NA	NA	NA	NA	140-440	140-440	140-440	140-440
XP100 ID1	NA	NA	NA	NA	140-440	-	140-440	140-440
SD10 MS	280-440	280-440	280-440	280-440	NA	NA	NA	NA
RGZV(IL)ESD	280-440	280-440	280-440	280-440	NA	NA	NA	NA

	Conduit to Main Box for				Terminals			
	PTC	Thermostats	KTY84	Space Heaters	Burndy Hydent YA Type	Terminal Block	Sealed Leads <sup>B3)</sup>	Special Cable Length
	J02	J12	J22	J52	K80	K83	K89	Y85
		QM, MOD (RHS T. Box) <sup>B2)</sup>		QM	QM	MOD	QM	
GP100A	NA	NA	NA	NA	140-250	NA	NA	NA
GP100	NA	NA	NA	NA	140-440	140-360	140-440	140-440
SD100	140-S440	140-S440	140-S440	140-S440	140-S440	140-360	140-440	140-S440
SD100 IEEEE841	140-S440	140-S440	140-S440	140-S440	140-S440	140-360	140-440	140-S440
SD661	180-360	180-360	180-360	180-360	180-360	180-360	180-360	180-360
RGZ(K)ESDI	140-S440	140-S440	140-S440	140-S440	140-S440	140-360	140-S440	140-S440
XP100	NA	NA	NA	NA	140-440	NA	NA	NA
XP100 ID1	NA	NA	NA	NA	140-440	NA	NA	NA
SD10 MS	140-440	140-440	140-440	140-440	140-440	140-360	140-440	140-440
RGZV(IL)ESD	140-440	140-440	140-440	140-440	140-440	140-360	140-440	140-440

## List Price

	Conduit Opposite to Main Box Side for <sup>B1)</sup>								Conduit to Main Box for				Terminals			
	PTC	Thermo-stats	KTY84	Space Heaters	PTC (EX)	Thermo-stats (EX)	KTY84 (EX)	Space Heaters (EX)	PTC	Thermo-stats	KTY84	Space Heaters	Burndy Hydent	Terminal Block	Sealed Leads	Special Cable Length
	J04	J14	J24	J54	J06	J16	J26	J56	J02	J12	J22	J52	K80	K83	K89	Y85
140	-	-	-	-	560	560	560	560	251	251	251	251	171	228	150	228
180	-	-	-	-	560	560	560	560	251	251	251	251	171	228	150	228
210	-	-	-	-	560	560	560	560	251	251	251	251	171	228	150	228
250	-	-	-	-	560	560	560	560	251	251	251	251	171	342	150	228
280	235	235	235	235	560	560	560	560	251	251	251	251	171	342	150	228
320	235	235	235	235	560	560	560	560	251	251	251	251	171	518	150	228
360	235	235	235	235	560	560	560	560	251	251	251	251	171	518	150	304
400	235	235	235	235	560	560	560	560	251	251	251	251	171	-	200	304
440	235	235	235	235	560	560	560	560	251	251	251	251	171	-	200	304
S449	-	-	-	-	-	-	-	-	251	251	251	251	171	-	200	304

B1) GP motors: Only for motors with cast iron terminal box.  
 B2) MOD if mounting with T. box on RHS, (MLFB digit 16 = 2, 5, 6, or 8).  
 B3) Limited to three leads.

# Options selection and pricing

## Windings

	Insulation				
	Class H <sup>W1)</sup>	Vacuum Pressure Impregnation (VPI)	Moisture/Powerhouse (Extra Dip & Bake)	Fungus Protection	Tropicalization Moisture (Extra Dip & Bake, Fungus Spray)
	C00	C01	C04	C07	C08
				QM	
GP100A	NA	NA	NA	NA	NA
GP100	140-440	140-440	140-440	140-440	140-440
SD100	140-S440	140-S440	140-S440	140-S440	140-S440
SD100 IEEEE841	140-S440	140-S440	140-S440	140-S440	140-S440
SD661	180-360	180-360	180-360	180-360	180-360
RGZ(K)ESDI	140-S440	140-S440	140-S440	140-S440	140-S440
XP100	140-440	140-440	std	NA	NA
XP100 ID1	140-440	140-440	std	NA	NA
SD10 MS	140-440	140-440	140-440	140-440	140-440
RGZV(IL)ESD	140-440	140-440	140-440	140-440	140-440

	Space Heaters				Space Heaters EX	
	1 x 115V Single Phase <sup>W2)</sup>	2 x 230V Single Phase	1 x 115V Single Phase <sup>W2)</sup> , Division 2	2 x 230V Single Phase, Division 2	1 x 115V Single Phase <sup>W2)</sup> - EX	2 x 230V Single Phase - Ex
	A40	A41	A42	A44	A43	A45
GP100A	NA	NA	NA	NA	NA	NA
GP100	140-440	140-440	NA	NA	NA	NA
SD100	140-S440	140-S440	140-S440	140-S440	NA	NA
SD100 IEEEE841	140-S440	140-S440	140-S440	140-S440	NA	NA
SD661	180-360	180-360	NA	NA	NA	NA
RGZ(K)ESDI	NA	NA	NA	NA	NA	NA
XP100	NA	NA	NA	NA	140-440	140-440
XP100 ID1	NA	NA	NA	NA	140-440	140-440
SD10 MS	140-440	140-440	140-440	140-440	NA	NA
RGZV(IL)ESD	140-440	140-440	140-440	140-440	NA	NA

## List Price

	Insulation					Space Heaters		Space Heaters, Div 2		Space Heaters, EX	
	Class H <sup>W1)</sup>	VPI	Moisture Powerhouse	Fungus Protection	Tropicalization Moisture	1 x 115V Single Phase <sup>W2)</sup>	2 x 230V Single Phase	1 x 115V, 1 PH, Division 2	2 x 230V 1 PH, Division 2	1 x 115V, 1 PH <sup>W2)</sup> - EX	2 x 230V 1 PH, - EX
	C00	C01	C04	C07	C08	A40	A41	A42	A44	A43	A45
140	122	1670	160	212	214	352	352	455	455	409	409
180	122	1670	160	212	214	352	352	455	455	409	409
210	122	1670	160	212	214	352	352	455	455	409	409
250	157	1670	208	310	277	352	352	455	455	409	409
280	261	2147	345	310	459	528	528	679	679	611	611
320	343	2147	447	310	593	528	528	679	679	611	611
360	438	2714	567	537	746	528	528	816	816	734	734
400	634	3430	798	537	1036	612	612	997	997	897	897
440	904	3728	1877	537	1406	612	612	1181	1181	1062	1062
S449	2387	5463	1877	537	2319	699	699	1259	1259	-	-

W1) Lead cable and thermal protectors leads are insulation class F.

W2) 2x Space heaters for FS 400 and above.

# Options selection and pricing

## Paint and Others

	VSD operation		Special Paint			Standard Paint	
	Encoder HS35R	VSD - Larger <sup>05)</sup> Cooling Fan	2 Part Epoxy	3 Part Epoxy	Prime Only	2 Part Epoxy (Ameron system)	Special Color in Ral...
	G05	M05	N01	N02	N03	N04	Y60
GP100A	NA	NA	NA	NA	140-250	NA	140-250
GP100	NA	NA	140-440	140-440	140-440	NA	140-440
SD100	140-S440	404-447	140-S440	140-S440	140-S440	140-S440	140-S440
SD100 IEEEE841	140-S440	404-447	140-S440	140-S440	140-S440	140-S440	140-S440
SD661	NA	NA	180-360	180-360	180-360	180-360	180-360
RGZ(K)ESDI	140-S440	NA	140-S440	140-S440	140-S440	140-S440	140-S440
XP100	NA	364-445	140-S440	140-S440	140-S440	140-S440	140-S440
XP100 ID1	NA	NA	140-440	140-440	140-440	140-440	140-440
SD10 MS	NA	NA	140-S440	140-S440	140-S440	140-S440	140-S440
RGZV(IL)ESD	NA	NA	140-440	140-440	140-440	140-440	140-440

	Balance <sup>02)</sup>		Vibration Detectors		Packaging	
	Precision	Extra Precision	Robert Shaw Malfunction Model 366 - D8 120VAC	Provision for Vibration Sensors (PMC/Beta)	Siemens Export Packing	Special
	M69	M70	A66	A67	B09	B10
GP100A	NA	NA	NA	NA	140-250	140-250
GP100	140-440	140-440	NA	NA	140-440	140-440
SD100	140-S440	140-S440	280-S440	280-S440	140-S440	140-S440
SD100 IEEEE841	Std	140-S440	280-S440	280-S440	140-S440	140-S440
SD661	Std	180-360	280-360	280-360	180-360	180-360
RGZ(K)ESDI	140-S440	140-S440	280-S440	280-S440	140-S440	140-S440
XP100	140-S440	140-S440	NA	NA	140-440	140-440
XP100 ID1	140-440	140-440	NA	NA	140-440	140-440
SD10 MS	140-S440	140-S440	280-440	NA	140-440	140-440
RGZV(IL)ESD	140-440 <sup>03)</sup>	140-440 <sup>03)</sup>	NA	280-440	140-440	140-440

## List Price

	VSD operation		Special Paint			Standard Paint <sup>01)</sup>		Balance <sup>01)</sup>		Vibration Detectors		Packaging	
	Encoder HS35R	VSD - Larger <sup>05)</sup> Cooling Fan	2 Part Epoxy	3 Part Epoxy	2 Part Epoxy (Ameron system)	Standard Prime Only	Special Color in Ral...	Precision	Extra Precision	Robert Shaw Model 366 - D8 120VAC	Provision Only (PMC/Beta)	Siemens Export Packing	Special
	G05	M05	N01	N02	N04	N03	Y60	M69	M70	A66	A67	B09	B10
140	1750	-	2744	2761	5655	558	554	190	312	-	-	98	CF
180	1750	-	2744	2761	5655	558	554	190	312	-	-	125	CF
210	1750	-	2744	2761	5655	558	554	190	330	-	-	125	CF
250	1750	-	2744	2761	5655	558	554	218	330	-	-	125	CF
280	1750	-	2744	2761	5655	563	557	218	376	4216	3778	230	CF
320	1750	-	2744	2761	5655	563	557	248	376	4216	3778	290	CF
360	1750	320	2744	2761	5655	563	557	248	506	4216	3778	360	CF
400	1750	320	2744	2761	5655	563	557	313	506	5170	4574	740	CF
440	1750	360	2744	2761	5655	563	557	313	651	5170	4574	1010	CF
S449	1750	360	2744	2761	5655	563	557	610	683	5170	4574	1010	CF

01) Special color and paint system required a combined of codes.  
 02) Refer to tables in page 3-5.  
 03) Only for RGZVESD

04) Not applicable for RGZ motors.  
 05) 4 pole only.

# Options selection and pricing

## Software

	Documentation in Spanish	Certificate of Compliance	Outline Drawings			Datasheet	
			Standard Outline drawing	Non-Standard with Catalog Options	Non-Standard Outside Catalog Options	Typ. Data Std. Performance Data for 460V or 575V 60Hz	Customer Specific
			D05	F00	F42	F43	F44
	QM	QM	QM	QM	QM	QM	QM
GP100A	140-250	140-250	140-250	140-250	140-250	140-250	140-250
GP100	140-440	140-440	140-440	140-440	140-440	140-440	140-440
SD100	140-S440	140-S440	140-S440	140-S440	140-S440	140-S440	140-S440
SD100 IEE841	140-S440	140-S440	140-S440	140-S440	140-S440	140-S440	140-S440
SD661	180-360	180-360	180-360	180-360	180-360	180-360	180-360
RGZ(K)ESDI	140-S440	140-S440	140-S440	140-S440	140-S440	140-S440	140-S440
XP100	140-440	140-440	140-440	140-440	140-440	140-440	140-440
XP100 ID1	140-440	140-440	140-440	140-440	140-440	140-440	140-440
SD10 MS	140-440	140-440	140-440	140-440	140-440	140-440	140-440
RGZV(IL)ESD	140-440	140-440	140-440	140-440	140-440	140-440	140-440

	Performance Curves			Wiring Diagram	Instruction and Operation Manual	Renewal Parts
	Standard 460V or 575V 60Hz	Stall Times 460V or 575V 60Hz	Special Calculated Data		IOM	
	F03	F40	F07	F45	F46	F47
	QM	QM	QM	QM	QM	QM
GP100A	140-250	140-250	140-250	140-250	140-250	140-250
GP100	140-440	140-440	140-440	140-440	140-440	140-440
SD100	140-S440	140-S440	140-S440	140-S440	140-S440	140-S440
SD100 IEE841	140-S440	140-S440	140-S440	140-S440	140-S440	140-S440
SD661	180-360	180-360	180-360	180-360	180-360	180-360
RGZ(K)ESDI	140-S440	140-S440	140-S440	140-S440	140-S440	140-S440
XP100	140-440	140-440	140-440	140-440	140-440	140-440
XP100 ID1	140-440	140-440	140-440	140-440	140-440	140-440
SD10 MS	140-440	140-440	140-440	140-440	140-440	140-440
RGZV(IL)ESD	140-S440	140-S440	140-S440	140-S440	140-S440	140-S440

## List Price

	Documentation in Spanish	Certificate of Compliance	Outline Drawings			Datasheets		Performance Curves			Wiring Diagram	Instruction Operation Manual	Renewal Parts
			Standard with Certified Block	Non-Standard with Catalog Options	Conduit Box Dimension Sheet	Performance Data Sheets	Customer Specific Data Sheets	Standard 460V or 575V 60 Hz	Stall Times 460 or 575 60 Hz	Special Calculated Data			
	D05	F00	F42	F43	F44	F49	F50	F03	F40	F07	F45	F46	F47
140	0	300	45	523	45	261	523	747	45	1195	45	45	45
180	0	300	45	523	45	261	523	747	45	1195	45	45	45
210	0	300	45	523	45	261	523	747	45	1195	45	45	45
250	0	300	45	523	45	261	523	747	45	1195	45	45	45
280	0	300	45	523	45	261	523	747	45	1195	45	45	45
320	0	300	45	523	45	261	523	747	45	1195	45	45	45
360	0	300	45	523	45	261	523	747	45	1195	45	45	45
400	0	300	45	523	45	261	523	747	45	1195	45	45	45
440	0	300	45	523	45	261	523	747	45	1195	45	45	45
S449	0	300	45	523	45	261	523	747	45	1195	45	45	45

# Options selection and pricing

## Test

	Routine Test <sup>T1)</sup>				
	Test Report	Test Report - Witnessed	Electrical Duplicate	Test + Vibration Report	Test + Vibration Report - Witnessed
	F10	F12	F36	F20	F22
	QM	MOD	MOD	QM	MOD
GP100A	140-250	140-250	140-250	140-250	140-250
GP100	140-440	140-440	140-440	140-440	140-440
SD100	140-5440	140-5440	140-5440	140-5440	140-5440
SD100 IEEEE841	NA	NA	140-5440	140-5440	140-5440
SD661	NA	NA	180-360	180-360	180-360
RGZ(K)ESDI	140-5440	140-5440	140-5440	140-5440	140-5440
XP100	140-440	140-440	140-440	140-440	140-440
XP100 ID1	140-440	140-440	140-440	140-440	140-440
SD10 MS	140-440	140-440	140-440	140-440	140-440
RGZV(IL)ESD	140-440	140-440	140-440	140-440	140-440

	Complete Test			Calibration	Noise Test	
	Test Report	Test Report - Witnessed	Electrical Duplicate	Calibration Test	Test Report	Test Report - Witnessed
	F15	F17	F37	F27	F30	F32
	MOD	MOD	MOD	MOD		
GP100A	140-250	140-250	140-250	140-250	140-250	140-250
GP100	140-440	140-440	140-440	140-440	140-440	140-440
SD100	140-5440	140-5440	140-5440	140-5440	140-5440	140-5440
SD100 IEEEE841	140-5440	140-5440	140-5440	140-5440	140-5440	140-5440
SD661	180-360	180-360	180-360	180-360	180-360	180-360
RGZ(K)ESDI	140-5440	140-5440	140-5440	140-5440	140-5440	140-5440
XP100	140-440	140-440	140-440	140-440	140-440	140-440
XP100 ID1	140-440	140-440	140-440	140-440	140-440	140-440
SD10 MS	140-440	140-440	140-440	140-440	140-440	140-440
RGZV(IL)ESD	140-440	140-440	140-440	140-440	140-440	140-440

## List Price

	Routine Test <sup>T1)</sup>					Complete Test			Calibration	Noise Test	
	Test Report	Test Report - Witnessed	Electrical Duplicate	Test + Vibration Report	Test + Vibration Report - Witnessed	Test Report	Test Report Witnessed	Electrical Duplicate	Calibration Test	Test Report	Test Report - Witnessed
	F10	F12	F36	F20	F22	F15	F17	F37	F27	F30	F32
140	300	1628	300	600	3256	6749	10123	455	5062	4144	6512
180	300	1628	300	600	3256	6749	10123	455	5062	4144	6512
210	300	1628	300	600	3256	6749	10123	455	5062	4144	6512
250	300	1628	300	600	3256	6749	10123	455	5062	4144	6512
280	300	1643	300	600	3286	6812	10217	455	5109	4183	6573
320	300	1972	300	600	3286	7917	11890	455	5938	4183	7768
360	300	2360	300	600	3286	9680	14519	455	7260	5378	7768
400	300	2569	300	600	3286	11054	16581	455	8290	5378	7768
440	300	2778	300	600	3286	12010	18015	455	9007	5378	7768
5449	300	3672	300	600	3286	13596	20394	455	10197	5463	7891

T1) For SD100 IEEEE841 only Routine Test + Vibration.

T2) Refer to list of test included in page 3-8.



# Typical performance data

## Technical notes

When NEMA Nominal F.L. Efficiency is	Then Minimum F.L. Efficiency is:
96.5	95.8
96.2	95.4
95.8	95.0
95.4	94.5
95.0	94.1
94.5	93.6
94.1	93.0
93.6	92.4
93.0	91.7
92.4	91.0
91.7	90.2
91.0	89.5
90.2	88.5
89.5	87.5
88.5	86.5
87.5	85.5
86.5	84.0
85.5	82.5
84.0	81.5
82.5	80.0
81.5	78.5
80.0	77.0
78.5	75.5
77.0	74.0
75.5	72.0
74.0	70.0

- $HP \times 0.746 = kW$   
 $kW \times 1.341 = HP$
- $Torque (Lb. - Ft) = \frac{HP \times 520}{RPM}$
- $HP = \frac{Torque (Lb. - Ft) \times RPM}{5250}$
- $WK2 (Inertia - Lb. Ft.^2) \text{ at Motor Shaft} = (Load RPM \div Mtr. F.L. RPM)^2 \times Load WK^2$
- Inertia (Kilogram - meter<sup>2</sup>):  
 $kgm^2 \times 23.73 = Lb. Ft.^2$   
 $(Lb. Ft.^2 \div 23.73 = kgm^2)$   
 $(Lb. Ft.^2 \times .042 = kgm^2)$   
 $GD2 (kgfm^2) \times 5.933 = Lb. Ft.^2$
- Torque (Newton - meters):  
 $Nm \times .7376 = Lb. - Ft.$   
 $kW \times 1.341 = HP$
- Power (Kilowatts):  
 $(HP \div 1.341 = kW)$   
 $(HP \times .746 = kW)$
- Temperature:  $^{\circ}C = 5/9$   
 $(^{\circ}F - 32)^{\circ}F = (9/5 \times ^{\circ}C) + 32$
- Typical Performance Data Notes:  
To find amperes at various voltages:  
• 575 V Data = 460 V Amperes x .80  
• 230 V Data = 460 V Amperes x 2.0  
• 200 V Data = 460 V Amperes x 2.3  
(Amperes = Full Load, Locked Rotor and No Load Values - from data pages)

All other data (kVA Code, Efficiencies, Power Factors, Torques and Stall Times) remain same as 460 V Data (winding connections can change - rarely - with voltage designs).

# Typical performance data

## SIMOTICS General purpose – 460V 60HZ

### GP100A / GP100

NEMA Premium®  
Aluminum rotor

HP	Frame	FL RPM	Current (A)			kVA/hp Code	Nominal Efficiency (%)				Power Factor			Torque			Locked Rotor Stall Time	
			No Load	Full Load 460V	Locked Rotor		1/2 Load - % -	3/4 Load - % -	Full Load - % -	Guar. Min. - % -	1/2 Load	3/4 Load	Full Load	Full Load -lb-ft	Locked Rotor - % -	Break Down - % -	Hot - sec -	Cold - sec -
1	143T	3520	0.7	1.4	12	K	79.3	82.1	82.5	80.0	65.2	77.4	81.1	1.5	175	380	12	16
1	143T	1755	0.8	1.4	13	L	83.4	85.4	85.5	82.5	58.4	71.5	78.2	3.0	295	380	18	26
1	145T	1165	1	1.6	11	K	80.2	82.5	82.5	80.0	50.2	63.3	70.9	4.5	260	350	18	31
1	182T	870	1.5	2.1	9	J	77.0	80.0	81.5	80.0	36.0	47.0	56.0	6.0	160	280	50	68
1.5	143T	3525	1.1	2	19	L	80.0	83.2	84.0	81.5	64.2	77.0	83.6	2.2	270	450	14	19
1.5	145T	1740	1.1	2.1	19	L	85.8	87.0	86.5	84.0	58.5	71.8	77.3	4.5	330	420	15	21
1.5	182T	1160	1.4	2.4	15	J	85.3	87.6	87.5	85.5	48.4	58.4	66.9	6.8	205	330	34	46
1.5	184T	865	2.3	3	17	L	78.5	82	82.5	81.5	35.0	47.0	56.0	9.0	160	280	43	63
2	145T	3515	1.2	2.5	23	L	84.0	85.7	85.5	82.5	69.0	81.3	87.6	2.9	250	420	13	18
2	145T	1740	1.5	2.8	24	L	86.0	87.2	86.5	84.0	57.8	70.8	77.3	6.0	320	390	14	22
2	184T	1160	1.9	3.2	20	J	87.5	88.7	88.5	86.5	46.5	58.8	66.1	9.1	240	310	23	32
2	213T	870	2	3.3	16	H	84.0	84.5	84.0	82.5	51.0	63.0	67.0	12.0	170	290	22	38
3	182T	3520	1.7	3.8	30	J	84.17	86.3	86.5	84.0	69.5	79.8	85.5	4.4	185	380	20	30
3	182T	1760	2.1	4	33	K	87.8	89.4	89.5	87.5	59.5	71.7	78.5	9.0	235	360	17	29
3	213T	1175	2.5	4.3	32	K	87.8	89.3	89.5	87.5	52.1	65.4	73.0	13.4	265	470	23	35
3	215T	870	3	4.8	25	H	85.5	86.5	85.5	84.0	45.0	59.0	68.0	18.0	175	290	19	31
5	184T	3505	2	6	46	H	88.2	89.1	88.5	86.5	78.1	85.9	88.2	7.5	170	420	15	29
5	184T	1755	3	6.5	46	K	89.2	90	89.5	87.5	63.6	75.1	80.5	15.0	220	350	14	29
5	215T	1165	4.5	6.7	46	H	89.5	90.1	89.5	87.5	59.4	71.4	78.1	26.5	220	380	14	21
5	254T	875	5.5	8.5	33	G	85.5	87	86.5	85.5	43.0	54.0	61.0	30.0	155	210	65	115
7.5	213T	3520	3	8.8	63	H	89.6	90.1	89.5	87.5	78.5	86.8	89.2	11.0	180	490	17	30
7.5	213T	1765	5	9.7	63	J	90.73	91.7	91.7	90.2	60.5	72.3	78.9	22.0	270	450	25	42
7.5	254T	1175	5	10	63	H	91.1	91.5	91.0	89.5	58.4	70.2	77.2	33.0	165	260	26	45
7.5	256T	875	7.9	13	50	G	87.0	88	87.5	85.5	44.0	55.0	62.0	45.0	165	200	50	100
10	215T	3515	3.5	11.5	81	H	91.0	91.1	90.2	88.5	81.5	88.8	90.3	15.0	180	440	14	28
10	215T	1755	6.1	12.5	81	H	91.7	92.2	91.7	90.2	63.8	76.2	81.7	30.0	270	410	20	36
10	256T	1175	6.3	13.5	81	H	91.4	91.6	91.0	89.5	61.0	71.6	76.2	45.0	165	250	18	38
10	284T	885	11	17	81	H	88.2	89.8	90.2	89.5	42.0	53.0	61.0	59.0	160	240	15	30
15	254T	3530	5.1	17.5	116	G	90.7	91.3	91.0	89.5	80.6	87.4	88.2	22.0	210	260	24	48
15	254T	1770	11.8	19	116	G	92.3	92.8	92.4	91.0	64.5	74.7	80.0	44.0	185	235	21	33
15	284T	1180	11	21	116	G	90.9	91.8	91.7	91.0	53.0	66.0	73.0	67.0	150	240	22	48
15	286T	885	14	23	116	G	89.4	90.6	91.0	90.2	47.0	59.0	66.0	89.0	160	240	18	35
20	256T	3515	5.2	22.5	145	G	92.1	91.6	91.0	89.5	86.2	91.3	91.5	30.0	185	230	20	45
20	256T	1770	10.48	25	145	H	93.1	93.4	93.0	91.7	65.3	75.9	80.5	60.0	185	240	15	33
20	286T	1180	13	27	145	G	91.2	92	91.7	91.0	57.0	69.0	76.0	89.0	150	240	20	45
20	324T	885	18	32	145	G	90.0	90.8	91.0	90.2	46.0	58.0	65.0	119.0	140	200	15	35
25	284TS	3525	7	29	183	G	91.4	92.2	91.7	91.0	81.0	86.0	88.0	37.0	160	250	16	30
25	284T	1775	11	30	183	G	93.5	94.0	93.6	93.0	71.0	80.0	84.0	74.0	180	250	24	44
25	324T	1185	14	33	183	G	92.7	93.2	93	92.4	62.0	72.0	76.0	111.0	170	240	28	54
25	326T	885	22	40	183	G	90.4	91.2	91.0	90.2	48.0	59.0	65.0	149.0	150	200	22	40
30	286TS	3530	8.5	34	218	G	91.4	92.2	91.7	91.0	84.0	89.0	90.0	45.0	160	250	16	30
30	286T	1775	12	35	218	G	93.9	94.1	93.6	93.0	73.0	82.0	85.0	89.0	180	250	24	44
30	326T	1185	15	39	218	G	93.1	93.5	93.0	92.4	61.0	73.0	77.0	133.0	170	220	26	52
30	364T	885	26	47	218	G	90.6	92	91.7	91.0	49.0	61.0	65.0	178.0	150	200	22	40

Typical performance data, not guaranteed  
NEMA Premium® is a certification mark of the National Electrical Manufacturers Association.



# Typical performance data

## SIMOTICS General purpose – 460V 60HZ GP100A / GP100

NEMA Premium®  
Aluminum rotor

HP	Frame	FL RPM	Current (A)			kVA/ hp Code	Nominal Efficiency (%)				Power Factor			Torque			Locked Rotor Stall Time	
			No Load	Full Load 460V	Locked Rotor		1/2 Load - % -	3/4 Load - % -	Full Load - % -	Guar. Min. - % -	1/2 Load	3/4 Load	Full Load	Full Load -lb-ft	Locked Rotor - % -	Break Down - % -	Hot - sec -	Cold - sec -
40	324TS	3535	12	45	290	G	94.0	94.1	93.6	93.0	80	87	89	60	150	250	22	45
40	324T	1780	15	46	290	G	94.3	94.1	94.1	93.6	75	83	86	118	180	230	22	45
40	364T	1185	19	49	290	G	94.4	94.6	94.1	93.6	68	77	81	177	190	220	29	55
40	365T	885	36	63	290	G	90.7	92.0	91.7	N/A	49	60	65	237	150	200	25	40
50	326TS	3535	15	55	363	G	93.8	94.1	93.6	93	82	89	91	74	150	250	18	37
50	326T	1780	20	58	363	G	94.8	95.0	94.5	94.1	72	81	85	148	170	230	22	45
50	365T	1185	24	62	363	G	94.0	94.3	94.1	N/A	67	76	80	222	190	220	29	55
60	364TS	3565	19	68	435	G	93.8	94.1	93.6	93.0	80	86	88	89	160	250	16	28
60	364T	1780	21	68	435	G	95.2	95.4	95.0	94.5	77	85	87	177	180	240	26	38
60	404T	1185	28	74	435	G	94.2	94.7	94.5	94.1	65	76	80	266	180	220	25	50
75	365TS	3565	22	86	543	G	93.7	94.3	94.1	93.6	81	86	88	111	160	260	16	27
75	365T	1780	25	85	543	G	95.6	95.8	95.4	95.0	78	85	87	221	180	240	25	35
75	405T	1185	34	93	543	G	94.7	94.9	94.5	94.1	68	77	80	332	180	220	33	45
100	405T	1780	30	113	725	G	95.8	96.0	95.4	95.0	80	86	87	295	180	200	25	35
100	444T	1185	39	117	725	G	95.1	95.3	95.0	94.5	73	81	84	443	160	200	30	35
125	444TS	3575	32	138	908	G	94.5	95.1	95.0	94.5	84	88	89	184	120	200	18	23
125	444T	1785	45	143	908	G	95.4	95.6	95.4	95.0	78	84	86	368	160	200	20	25
125	445T	1185	48	144	908	G	95.1	95.4	95.0	94.5	74	82	85	554	160	200	25	35
150	445TS	3575	37	164	1085	G	94.2	95.0	95.0	94.5	84	89	90	220	120	200	15	18
150	445T	1785	52	170	1085	G	95.7	96.0	95.8	95.4	78	84	86	441	150	200	20	30
150	447T	1190	59	172	1085	G	95.6	96.0	95.8	95.4	73	82	85	662	140	200	28	43
200	447TS	3575	44	216	1450	G	95.3	95.6	95.4	95.0	83	90	91	294	120	200	16	20
200	447T	1785	73	228	1450	G	96.2	96.5	96.2	95.8	75	83	85	588	160	200	18	25
200	449T	1190	73	227	1450	G	95.6	96.2	95.8	95.4	75	83	86	883	125	200	25	32

Typical performance data, not guaranteed

Introduction  
General Purpose Motors  
Severe Duty Motors  
Hazardous Duty Motors  
Definite Purpose Motors  
Special Features Detail  
Options Selection and Pricing  
Typical Performance Data  
General Dimensions  
Part Number Index

# Typical performance data

## SIMOTICS General purpose – 460V 60HZ GP100A / GP100

NEMA Premium®  
Copper rotor

HP	Frame	FL RPM	Current (A)			kVA/ hp Code	Nominal Efficiency (%)				Power Factor			Torque			Locked Rotor Stall Time	
			No Load	Full Load 460V	Locked Rotor		1/2 Load - % -	3/4 Load - % -	Full Load- % -	Guar. Min. - % -	1/2 Load	3/4 Load	Full Load	Full Load -lb-ft	Locked Rotor - % -	Break Down - % -	Hot - sec -	Cold - sec -
1	143T	3550	0.7	1.4	12	L	79.3	82.1	82.5	81.5	65.00	77.00	81.10	1.5	175	380	12	16
1	143T	1775	0.9	1.5	15	N	83.0	86.0	86.5	85.5	53.00	65.00	74.00	3.0	290	480	16	20
1	145T	1175	1.0	1.6	12	L	80.5	83.5	84.0	82.5	49.00	61.00	70.00	4.5	210	380	19	27
1.5	143T	3550	0.8	1.9	20	M	83.0	86.0	87.5	86.5	69.00	79.00	84.00	2.2	230	480	19	26
1.5	145T	1770	1.2	2.1	20	M	85.0	87.0	87.5	86.5	57.00	69.00	77.00	4.4	250	460	14	19
1.5	182T	1180	1.4	2.4	17	L	84.5	87.0	87.5	86.5	49.00	61.00	67.00	6.7	165	410	33	50
2	145T	3550	1.2	2.6	25	L	85.0	88.0	88.5	87.5	66.00	77.00	83.00	3.0	250	490	18	26
2	145T	1765	1.6	2.8	25	L	86.0	87.5	87.5	86.5	55.00	69.00	78.00	6.0	240	440	15	21
2	184T	1180	1.8	3.0	22	K	87.5	89.0	88.5	87.5	47.00	59.00	67.00	8.9	190	400	30	41
3	182T	3565	1.5	3.8	32	K	85.5	89.0	89.5	88.5	69.00	79.00	83.00	4.4	220	400	36	51
3	182T	1770	1.8	4.0	33	K	88.5	90.0	90.2	89.5	63.00	73.00	79.00	8.9	230	390	31	45
3	213T	1180	2.3	4.3	32	K	88.5	90.0	90.2	89.5	55.00	67.00	74.00	13.0	170	360	27	35
5	184T	3550	2.3	6.2	46	J	89.0	90.2	90.2	89.5	70.00	80.00	84.00	7.4	200	440	21	38
5	184T	1770	3.2	6.7	46	J	89.5	90.0	90.2	89.5	62.00	72.00	77.00	15.0	225	340	19	35
5	215T	1180	3.5	7.0	46	J	89.0	90.5	90.2	89.5	56.00	68.00	76.00	22.0	190	350	21	31
7.5	213T	3560	2.6	8.5	63	H	91.0	92.0	91.7	91.0	78.00	86.00	88.00	11.0	170	340	19	31
7.5	213T	1775	4.0	9.5	63	H	92.0	92.5	92.4	91.7	65.00	76.00	81.00	22.0	250	340	34	49
7.5	254T	1180	5.0	10.5	63	H	91.5	92.5	92.4	91.7	57.00	67.00	76.00	33.0	190	230	66	92
10	215T	3555	3.4	11.5	81	H	92.0	92.3	91.7	91.0	78.00	86.00	89.00	15.0	200	360	13	24
10	215T	1770	5.5	12.5	81	H	92.0	92.5	92.4	91.7	64.00	75.00	81.00	30.0	250	280	25	41
10	256T	1185	6.5	13.5	81	H	92.0	92.5	92.4	91.7	57.00	68.00	72.00	44.0	240	250	45	73
15	254T	3565	5.0	17.0	116	G	91.0	92.0	92.4	91.7	81.00	87.00	89.00	22.0	220	280	45	81
15	254T	1780	7.3	19.0	116	G	92.5	93.5	93.0	92.4	66.00	76.00	79.00	44.0	200	250	25	55
20	256T	3560	5.5	22.5	145	G	92.0	92.5	92.4	91.7	84.00	88.00	88.00	29.0	210	250	34	75
20	256T	1780	9.5	25.0	145	G	93.0	93.5	93.6	93.0	68.00	78.00	80.00	59.0	190	230	28	56

Typical performance data, not guaranteed  
NEMA Premium® is a certification mark of the National Electrical Manufacturers Association.

# Typical performance data

## SIMOTICS Severe duty – 460V 60HZ

### SD100 / SD100 IEEE841

NEMA Premium®  
Aluminum rotor

HP	Frame	FL RPM	Current (A)			kVA/hp Code	Nominal Efficiency (%)				Power Factor			Torque			Locked Rotor Stall Time	
			No Load	Full Load 460V	Locked Rotor		1/2 Load - % -	3/4 Load - % -	Full Load - % -	Guar. Min. - % -	1/2 Load	3/4 Load	Full Load	Full Load -lb-ft	Locked Rotor - % -	Break Down - % -	Hot - sec -	Cold - sec -
1	143T	3520	0.7	1.4	12	K	79.3	82.1	82.5	80.0	65.20	77.40	81.10	1.5	175	380	12	16
1	143T	1760	0.7	1.4	14	L	83.4	85.4	85.5	82.5	58.40	71.50	78.20	3.0	295	380	18	26
1	145T	1165	1.0	1.6	11	K	80.2	82.5	82.5	80.0	50.20	63.30	70.90	4.5	260	350	18	31
1	182T	870	1.5	2.1	9	J	77.0	80.0	81.5	78.5	36.00	47.00	56.00	6.0	160	280	50	68
1.5	143T	3525	1.1	2.0	19	L	80.0	83.2	84.0	81.5	64.20	77.00	83.60	2.2	270	450	14	19
1.5	145T	1740	1.1	2.1	19	L	85.8	87.0	86.5	84.0	58.50	71.80	77.30	4.5	330	420	15	21
1.5	182T	1160	1.4	2.4	16	K	85.3	87.6	87.5	85.5	48.40	58.40	66.90	6.8	205	330	34	46
1.5	184T	865	2.3	3.0	17	H	78.5	82.0	82.5	80.0	35.00	47.00	56.00	9.1	160	280	43	63
2	145T	3515	1.2	2.5	23	L	84.0	85.7	85.5	82.5	69.00	81.30	87.60	2.9	250	420	13	18
2	145T	1740	1.5	2.7	24	L	86.0	87.2	86.5	84.0	57.80	70.80	77.30	6.0	320	390	14	22
2	184T	1160	1.9	3.2	20	J	87.5	88.7	88.5	86.5	46.50	58.80	66.10	9.1	240	310	23	32
2	213T	870	2.0	3.3	16	H	84.0	84.5	84.0	81.5	51.00	63.00	67.00	12.1	170	290	22	38
3	182T	3520	1.7	3.8	30	J	84.2	86.3	86.5	84.0	69.50	79.80	85.50	4.4	185	380	20	30
3	182T	1760	2.1	4.0	33	K	87.8	89.4	89.5	87.5	59.50	71.70	78.50	9.0	235	360	17	29
3	213T	1175	2.5	4.3	32	K	87.8	89.3	89.5	87.5	52.10	65.40	73.00	13.4	265	470	23	35
3	215T	870	3.0	4.8	25	H	85.5	86.5	85.5	82.5	45.00	59.00	68.00	18.1	175	290	19	31
5	184T	3505	2.0	6.0	46	H	88.2	89.1	88.5	86.5	78.10	85.90	88.20	7.5	170	420	15	29
5	184T	1755	3.0	6.4	50	K	89.2	90.0	89.5	87.5	63.60	75.10	80.50	15.0	220	350	14	29
5	215T	1165	4.5	6.7	46	H	89.5	90.1	89.5	87.5	59.40	71.40	78.10	22.5	220	380	14	21
5	254T	875	5.5	8.8	33	F	85.5	87.0	86.5	84.0	43.00	54.00	61.00	30.0	155	210	65	115
7.5	213T	3520	3.0	8.8	63	H	89.6	90.1	89.5	87.5	78.50	86.80	89.20	11.0	180	490	17	30
7.5	213T	1765	5.0	9.7	63	J	90.7	91.7	91.7	90.2	60.50	72.30	78.90	22.0	270	450	25	42
7.5	254T	1175	5.0	10.0	63	H	91.1	91.5	91.0	89.5	58.40	70.20	77.20	33.0	165	260	26	45
7.5	256T	875	7.9	13.0	50	G	87.0	88.0	87.5	85.5	0.44	0.55	0.62	45.0	165	200	50	100
10	215T	3515	3.5	11.5	81	H	91.0	91.1	90.2	88.5	81.50	88.80	90.30	15.0	180	440	14	28
10	215T	1755	6.1	12.5	81	H	91.7	92.2	91.7	90.2	63.80	76.20	81.70	30.0	270	410	20	36
10	256T	1175	6.3	13.5	81	H	91.4	91.6	91.0	89.5	61.00	71.60	76.20	45.0	165	250	18	38
10	284T	875	11.0	17.0	81	H	88.2	89.8	90.2	89.5	42.00	53.00	61.00	59.0	160	240	15	30
15	254T	3530	5.1	17.5	116	G	90.7	91.3	91.0	89.5	80.60	87.40	88.20	22.0	210	260	24	48
15	254T	1770	11.8	19.0	116	G	92.3	92.8	92.4	91.0	64.50	74.70	80.00	44.0	185	235	21	33
15	284T	1180	8.8	17.0	93	G	90.9	91.8	91.7	91.0	53.00	66.00	73.00	67.0	150	240	22	48
15	286T	875	14.0	23.0	116	H	89.4	90.6	91.0	90.2	47.00	59.00	66.00	89.0	160	240	18	35
20	256T	3515	5.2	22.5	145	G	92.1	91.6	91.0	89.5	86.20	91.30	91.50	30.0	185	230	20	45
20	256T	1770	10.5	25.0	145	H	93.1	93.4	93.0	91.7	65.30	75.90	80.50	60.0	185	240	15	33
20	286T	1180	10.5	21.5	116	G	91.2	92.0	91.7	91.0	57.00	69.00	76.00	89.0	150	240	20	45
20	324T	880	18.0	32.0	145	G	90.0	90.8	91.0	90.2	46.00	58.00	65.00	119.0	140	200	15	35
25	284TS	3525	7.0	29.0	183	G	91.4	92.2	91.7	91.0	81.00	86.00	88.00	37.0	160	250	16	30
25	284T	1775	11.0	30.0	183	G	93.5	94.0	93.6	93.0	71.00	80.00	84.00	74.0	180	250	24	44
25	324T	1185	14.0	33.0	183	G	92.7	93.2	93.0	92.4	62.00	72.00	76.00	111.0	170	240	28	54
25	326T	880	22.0	40.0	183	G	90.4	91.2	91.0	90.2	48.00	59.00	65.00	149.0	150	200	22	40
30	286TS	3530	8.5	34.0	218	G	91.4	92.2	91.7	91.0	84.00	89.00	90.00	45.0	160	250	16	30
30	286T	1775	12.0	35.0	227	G	93.9	94.1	93.6	93.0	73.00	82.00	85.00	89.0	180	250	24	44
30	326T	1185	15.0	39.0	218	G	93.1	93.5	93.0	92.4	61.00	73.00	77.00	133.0	170	220	26	52
30	364T	885	18.0	41.0	210	G	90.6	92.0	91.7	91.0	49.00	61.00	65.00	178.0	150	200	22	40

Introduction  
General Purpose Motors  
Severe Duty Motors  
Hazardous Duty Motors  
Definite Purpose Motors  
Special Features Detail  
Options Selection and Pricing  
Typical Performance Data  
General Dimensions  
Part Number Index

# Typical performance data

## SIMOTICS Severe duty – 460V 60HZ

### SD100 / SD100 IEEE841

NEMA Premium®  
Aluminum rotor

HP	Frame	FL RPM	Current (A)			kVA/ hp Code	Nominal Efficiency (%)				Power Factor			Torque			Locked Rotor Stall Time	
			No Load	Full Load 460V	Locked Rotor		1/2 Load - % -	3/4 Load - % -	Full Load- % -	Guar. Min. - % -	1/2 Load	3/4 Load	Full Load	Full Load -lb-ft	Locked Rotor - % -	Break Down - % -	Hot -sec-	Cold -sec-
40	324TS	3535	12.0	45.0	290	G	94.0	94.1	93.6	93.0	80.00	87.00	89.00	60.0	150	250	22	45
40	324T	1780	15.0	46.0	290	G	94.3	94.1	94.1	93.6	75.00	83.00	86.00	118.0	180	230	22	45
40	364T	1185	18.0	49.0	290	G	94.4	94.1	94.1	93.6	70.00	79.00	81.00	177.0	190	220	29	55
40	365T	885	36.0	63.0	290	G	93.0	93.1	91.7	91.0	49.00	60.00	65.00	237.0	150	200	25	40
50	326TS	3535	15.0	55.0	363	G	93.8	94.1	93.6	93.0	82.00	89.00	91.00	74.0	150	250	18	37
50	326T	1780	19.0	58.0	363	G	94.8	95.0	94.5	94.1	74.00	82.00	85.00	148.0	170	230	22	45
50	365T	1185	24.0	62.0	363	G	94.0	94.3	94.1	93.6	67.00	76.00	80.00	222.0	190	220	29	55
50	404T	885	28.0	67.0	363	G	93.0	93.1	92.4	91.7	64.00	73.00	76.00	297.0	140	200	25	40
60	364TS	3565	19.0	68.0	435	G	93.8	94.1	93.6	93.0	80.00	86.00	88.00	89.0	160	250	16	28
60	364T	1780	21.0	68.0	435	G	95.2	95.4	95.0	94.5	77.00	85.00	87.00	177.0	180	240	26	38
60	404T	1185	28.0	74.0	435	G	94.2	94.7	94.5	94.1	65.00	76.00	80.00	266.0	180	220	25	50
60	405T	885	30.0	78.0	435	G	93.0	93.1	92.4	91.7	66.00	75.00	78.00	356.0	140	200	30	35
75	365TS	3565	22.0	86.0	543	G	93.7	94.3	94.1	93.6	81.00	86.00	88.00	111.0	160	260	16	27
75	365T	1780	25.0	85.0	543	G	95.6	95.8	95.4	95.0	78.00	85.00	87.00	221.0	180	240	25	35
75	405T	1185	34.0	93.0	543	G	94.7	94.9	94.5	94.1	68.00	77.00	80.00	332.0	180	220	33	45
75	444T	885	37.0	94.0	543	G	93.5	93.9	93.6	93.0	67.00	76.00	80.00	445.0	135	200	25	32
100	405TS	3570	19.0	108.0	725	G	94.6	94.7	94.1	93.6	90.00	92.00	92.00	147.0	120	200	25	45
100	405T	1780	30.0	113.0	725	G	95.8	96.0	95.4	95.0	80.00	86.00	87.00	295.0	180	200	25	35
100	444T	1185	39.0	117.0	725	G	95.1	95.3	95.0	94.5	73.00	81.00	84.00	443.0	160	200	30	35
100	445T	885	48.0	123.0	725	G	94.2	94.5	94.1	93.6	70.00	78.00	81.00	593.0	130	200	22	30
125	444TS	3575	37.0	140.0	908	G	94.5	95.1	95.0	94.5	84.00	88.00	89.00	184.0	110	200	18	23
125	444T	1785	45.0	143.0	908	G	95.4	95.6	95.4	95.0	78.00	84.00	86.00	368.0	160	200	20	25
125	445T	1185	48.0	144.0	908	G	95.1	95.4	95.0	94.5	74.00	82.00	85.00	554.0	160	200	25	35
125	447T	885	54.0	152.0	908	G	94.6	94.7	94.1	93.6	70.00	79.00	82.00	742.0	130	200	20	30
150	445TS	3575	43.0	162.0	1085	G	94.2	95.0	95.0	94.5	84.00	89.00	90.00	220.0	120	200	15	18
150	445T	1785	52.0	170.0	1085	G	95.7	96.0	95.8	95.4	78.00	84.00	86.00	441.0	150	200	20	30
150	447T	1190	59.0	172.0	1085	G	95.6	96.0	95.8	95.4	73.00	82.00	85.00	662.0	140	200	28	43
150	449T	885	61.0	180.0	1085	G	94.3	94.5	94.1	93.6	72.00	80.00	83.00	890.0	130	200	20	25
200	447TS	3575	59.0	220.0	1450	G	95.3	95.6	95.4	95.0	83.00	90.00	91.00	294.0	120	200	16	20
200	447T	1785	70.0	226.0	1450	G	96.2	96.5	96.2	95.8	76.00	84.00	86.00	588.0	160	200	18	25
200	449T	1190	73.0	227.0	1450	G	95.6	96.2	95.8	95.4	75.00	83.00	86.00	883.0	125	200	25	32
200	S449LS	885	78.0	240.0	1450	G	95.0	95.0	94.5	94.1	71.00	79.00	83.00	1187.0	125	200	15	25
250	449TS	3575	51.0	261.0	1825	G	95.7	96.0	95.8	95.4	89.00	91.00	91.00	368.0	90	200	12	18
250	449T	1785	90.0	278.0	2100	H	96.1	96.3	96.2	95.8	78.00	85.00	87.00	735.0	140	200	18	25
250	449T	1190	86.0	281.0	2050	H	95.7	96.0	95.8	95.4	81.00	86.00	87.00	1104.0	120	200	20	25
250	S449LS	885	109.0	303.0	1825	G	94.5	94.8	94.5	94.1	70.00	78.00	82.00	1483.0	105	200	25	32
300	449TS	3570	60.0	312.0	2200	F	95.6	96.0	95.8	95.4	87.00	90.00	91.00	441.0	80	200	12	13
300	S449LS	1785	114.0	334.0	2400	H	96.1	96.3	96.2	95.8	75.00	83.00	86.00	882.0	140	200	22	30
300	S449LS	1185	119.0	340.0	2200	G	96.0	96.1	95.8	95.4	82.00	85.00	86.00	1329.0	105	200	26	33
350	S449SS	3570	68.0	370.0	2550	G	95.8	96.1	95.8	95.4	89.00	91.00	92.00	515.0	80	200	20	26
350	S449LS	1785	115.0	390.0	2550	G	95.8	96.3	96.2	95.8	77.00	84.00	86.00	1029.0	100	200	25	32
400	S449SS	3570	80.0	422.0	2900	G	94.6	96.1	95.8	95.4	89.00	92.00	93.00	588.0	80	200	21	26
400	S449LS	1785	130.0	454.0	2900	G	96.0	96.4	96.2	95.8	77.00	84.00	86.00	1176.0	100	200	21	26

Typical performance data, not guaranteed

NEMA Premium® is a certification mark of the National Electrical Manufacturers Association.

# Typical performance data

## SIMOTICS Severe duty – 460V 60HZ

### SD100 / SD100 IEEE841

NEMA Premium®  
Copper rotor

HP	Frame	FL RPM	Current (A)			kVA/ hp Code	Nominal Efficiency (%)				Power Factor			Torque			Locked Rotor Stall Time	
			No Load	Full Load 460V	Locked Rotor		1/2 Load - % -	3/4 Load - % -	Full Load - % -	Guar. Min. - % -	1/2 Load	3/4 Load	Full Load	Full Load -lb-ft	Locked Rotor - % -	Break Down - % -	Hot - sec-	Cold - sec-
1	143T	3550	0.7	1.4	12	L	79.3	82.1	82.5	81.5	65.00	77.00	81.10	1.5	175	380	12	16
1	143T	1775	0.9	1.5	15	N	83.0	86.0	86.5	85.5	53.00	65.00	74.00	3.0	290	480	16	20
1	145T	1175	1.0	1.6	12	L	80.5	83.5	84.0	82.5	49.00	61.00	70.00	4.5	210	280	19	27
1.5	143T	3550	0.8	1.9	20	M	83.0	86.0	87.5	86.5	69.00	79.00	84.00	2.2	230	480	19	26
1.5	145T	1770	1.2	2.1	20	M	85.0	87.0	87.5	86.5	57.00	69.00	77.00	4.4	250	460	14	19
1.5	182T	1180	1.4	2.4	17	L	84.5	87.0	87.5	86.5	49.00	61.00	67.00	6.7	165	410	33	50
2	145T	3550	1.2	2.6	25	L	85.0	88.0	88.5	87.5	66.00	77.00	83.00	3.0	250	490	18	26
2	145T	1765	1.6	2.8	25	L	86.0	87.5	87.5	86.5	55.00	69.00	78.00	6.0	240	440	15	21
2	184T	1180	1.8	3.0	22	K	87.5	89.0	88.5	87.5	47.00	59.00	67.00	8.9	190	400	30	41
3	182T	3565	1.5	3.8	32	K	85.5	89.0	89.5	88.5	69.00	79.00	83.00	4.4	220	400	36	51
3	182T	1770	1.8	4.0	33	K	88.5	90.0	90.2	89.5	63.00	73.00	79.00	8.9	230	390	31	45
3	213T	1180	2.3	4.3	32	K	88.5	90.0	90.2	89.5	55.00	67.00	74.00	13.0	175	360	27	35
5	184T	3550	2.3	6.2	46	J	89.0	90.2	90.2	89.5	70.00	80.00	84.00	7.4	200	440	21	38
5	184T	1770	3.2	6.7	46	J	89.5	90.0	90.2	89.5	62.00	72.00	77.00	15.0	225	340	19	35
5	215T	1180	3.5	7.0	46	J	89.0	90.5	90.2	89.5	56.00	68.00	76.00	22.0	190	350	21	31
7.5	213T	3560	2.6	8.5	63	H	91.0	92.0	91.7	91.0	78.00	86.00	88.00	11.0	170	340	19	31
7.5	213T	1775	4.0	9.5	63	H	92.0	92.5	92.4	91.7	65.00	76.00	81.00	22.0	250	340	34	49
7.5	254T	1180	5.0	10.5	63	H	91.5	92.5	92.4	91.7	57.00	67.00	76.00	33.0	190	230	66	92
10	215T	3555	3.4	11.5	81	H	92.0	92.3	91.7	91.0	78.00	86.00	89.00	15.0	200	360	13	24
10	215T	1770	5.5	12.5	81	H	92.0	92.5	92.4	91.7	64.00	75.00	81.00	30.0	250	280	25	41
10	256T	1185	6.5	13.5	81	H	92.0	92.5	92.4	91.7	57.00	68.00	72.00	44.0	240	250	45	73
15	254T	3565	5.0	17.0	116	G	91.0	92.0	92.4	91.7	81.00	87.00	89.00	22.0	220	280	45	81
15	254T	1780	7.3	19.0	116	G	92.5	93.5	93.0	92.4	66.00	76.00	79.00	44.0	200	250	25	55
20	256T	3560	5.5	22.5	145	G	92.0	92.5	92.4	91.7	84.00	88.00	88.00	29.0	210	250	34	75
20	256T	1780	9.5	25.0	145	G	93.0	93.5	93.6	93.0	68.00	78.00	80.00	59.0	190	230	28	56

Typical performance data, not guaranteed  
NEMA Premium® is a certification mark of the National Electrical Manufacturers Association.

Introduction  
General Purpose Motors  
Severe Duty Motors  
Hazardous Duty Motors  
Definite Purpose Motors  
Special Features Detail  
Options Selection and Pricing  
Typical Performance Data  
General Dimensions  
Part Number Index

# Typical performance data

## SIMOTICS Explosion proof – 460V 60HZ

### XP100 / XP100 IDI

NEMA Premium®

HP	Frame	FL RPM	Current (A)			kVA/ hp Code	Nominal Efficiency (%)				Power Factor			Torque			Locked Rotor Stall Time	
			No Load	Full Load 460V	Locked Rotor		1/2 Load - % -	3/4 Load - % -	Full Load - % -	Guar. Min. - % -	1/2 Load	3/4 Load	Full Load	Full Load -lb-ft	Locked Rotor - % -	Break Down - % -	Hot - sec -	Cold - sec -
1	143T	3520	0.7	1.4	12	K	79.3	82.1	82.5	80.0	65.20	77.40	81.10	1.5	175	380	12	16
1	143T	1760	0.7	1.4	14	L	83.4	85.4	85.5	82.5	58.40	71.50	78.20	3.0	295	380	18	26
1	145T	1165	1.0	1.6	11	K	80.2	82.5	82.5	80.0	50.20	63.30	70.90	4.5	260	350	18	31
1	182T	870	1.5	2.1	9	J	77.0	80.0	81.5	78.5	36.00	47.00	56.00	6.0	160	280	50	68
1.5	143T	3525	1.1	2.0	19	L	80.0	83.2	84.0	81.5	64.20	77.00	83.60	2.2	270	450	14	19
1.5	145T	1740	1.1	2.1	19	L	85.8	87.0	86.5	84.0	58.50	71.80	77.30	4.5	330	420	15	21
1.5	182T	1160	1.4	2.4	16	K	85.3	87.6	87.5	85.5	48.40	58.40	66.90	6.8	205	330	34	46
1.5	184T	865	2.3	3.0	17	H	78.5	82.0	82.5	80.0	35.00	47.00	56.00	9.1	160	280	43	63
2	145T	3515	1.2	2.5	23	L	84.0	85.7	85.5	82.5	69.00	81.30	87.60	2.9	250	420	13	18
2	145T	1740	1.5	2.7	24	L	86.0	87.2	86.5	84.0	57.80	70.80	77.30	6.0	320	390	14	22
2	184T	1160	1.9	3.2	20	J	87.5	88.7	88.5	86.5	46.50	58.80	66.10	9.1	240	310	23	32
2	213T	870	2.0	3.3	16	H	84.0	84.5	84.0	81.5	51.00	63.00	67.00	12.1	170	290	22	38
3	182T	3520	1.7	3.8	30	J	84.2	86.3	86.5	84.0	69.50	79.80	85.50	4.4	185	380	20	30
3	182T	1760	2.1	4.0	33	K	87.8	89.4	89.5	87.5	59.50	71.70	78.50	9.0	235	360	17	29
3	213T	1175	2.5	4.3	32	K	87.8	89.3	89.5	87.5	52.10	65.40	73.00	13.4	265	470	23	35
3	215T	870	3.0	4.8	25	H	85.5	86.5	85.5	82.5	45.00	59.00	68.00	18.1	175	290	19	31
5	184T	3505	2.0	6.0	46	H	88.2	89.1	88.5	86.5	78.10	85.90	88.20	7.5	170	420	15	29
5	184T	1755	3.0	6.4	50	J	89.2	90.0	89.5	87.5	63.60	75.10	80.50	15.0	220	350	14	29
5	215T	1165	4.5	6.7	46	H	89.5	90.1	89.5	87.5	59.40	71.40	78.10	22.5	220	380	14	21
5	254T	875	5.5	8.8	33	F	85.5	87.0	86.5	84.0	43.00	54.00	61.00	30.0	155	210	65	115
7.5	213T	3520	3.0	8.8	63	H	89.6	90.1	89.5	87.5	78.50	86.80	89.20	11.0	180	490	17	30
7.5	213T	1765	5.0	9.7	63	J	90.7	91.7	91.7	90.2	60.50	72.30	78.90	22.0	270	450	25	42
7.5	254T	1175	5.0	10.0	63	H	91.1	91.5	91.0	89.5	58.40	70.20	77.20	45.0	165	260	26	45
7.5	256T	875	7.9	13.0	50	G	87.0	88.0	87.5	85.5	0.44	0.55	0.62	61.0	165	200	50	100
10	215T	3515	3.5	11.5	81	H	91.0	91.1	90.2	88.5	81.50	88.80	90.30	15.0	180	440	14	28
10	215T	1755	6.1	12.5	81	H	91.7	92.2	91.7	90.2	63.80	76.20	81.70	30.0	270	410	20	36
10	256T	1175	6.3	13.5	81	H	91.4	91.6	91.0	89.5	61.00	71.60	76.20	45.0	165	250	18	38
10	284T	885	11.0	17.0	81	H	88.2	89.8	90.2	89.5	42.00	53.00	61.00	59.0	160	240	15	30
15	254T	3530	5.1	17.5	116	G	90.7	91.3	91.0	89.5	80.60	87.40	88.20	22.0	210	260	24	48
15	254T	1770	11.8	19.0	116	G	92.3	92.8	92.4	91.0	64.50	74.70	80.00	44.0	185	235	21	33
15	284T	1180	8.8	17.0	93	G	90.9	91.8	91.7	91.0	53.00	66.00	73.00	67.0	150	240	22	48
15	286T	885	14.0	23.0	116	H	89.4	90.6	91.0	90.2	47.00	59.00	66.00	89.0	160	240	18	35
20	256T	3515	5.2	22.5	145	G	92.1	91.6	91.0	89.5	86.20	91.30	91.50	30.0	185	230	20	45
20	256T	1770	10.5	25.0	145	H	93.1	93.4	93.0	91.7	65.30	75.90	80.50	60.0	185	240	15	33
20	286T	1180	10.5	21.5	116	G	91.2	92.0	91.7	91.0	57.00	69.00	76.00	89.0	150	240	20	45
20	324T	885	18.0	32.0	145	G	90.0	90.8	91.0	90.2	46.00	58.00	65.00	119.0	140	200	15	35
25	284TS	3525	7.0	29.0	183	G	91.4	92.2	91.7	91.0	81.00	86.00	88.00	37.0	160	250	16	30
25	284T	1775	11.0	30.0	183	G	93.5	94.0	93.6	93.0	71.00	80.00	84.00	74.0	180	250	24	44
25	324T	1185	14.0	33.0	183	G	92.7	93.2	93.0	92.4	62.00	72.00	76.00	111.0	170	240	28	54
25	326T	885	22.0	40.0	183	G	90.4	91.2	91.0	90.2	48.00	59.00	65.00	149.0	150	200	22	40
30	286TS	3530	8.5	34.0	218	G	91.4	92.2	91.7	91.0	84.00	89.00	90.00	45.0	160	250	16	30
30	286T	1775	12.0	35.0	227	G	93.9	94.1	93.6	93.0	73.00	82.00	85.00	89.0	180	250	24	44
30	326T	1185	15.0	39.0	218	G	93.1	93.5	93.0	92.4	61.00	73.00	77.00	133.0	170	220	26	52
30	364T	885	18.0	41.0	210	G	90.6	92.0	91.7	91.0	49.00	61.00	65.00	178.0	150	200	22	40

Typical performance data, not guaranteed

NEMA Premium® is a certification mark of the National Electrical Manufacturers Association.

# Typical performance data

## SIMOTICS Explosion proof – 460V 60HZ

### XP100 / XP100 IDI

NEMA Premium®

HP	Frame	FL RPM	Current (A)			kVA/ hp Code	Nominal Efficiency (%)				Power Factor			Torque			Locked Rotor Stall Time	
			No Load	Full Load 460V	Locked Rotor		1/2 Load - % -	3/4 Load - % -	Full Load - % -	Min. Guar. - % -	1/2 Load	3/4 Load	Full Load	Full Load - lb-ft	Locked Rotor - % -	Break Down - % -	Hot - sec-	Cold - sec-
40	324TS	3535	12.0	45.0	290	G	94.0	94.1	93.6	93.0	80.00	87.00	89.00	60.0	150	250	22	45
40	324T	1780	15.0	46.0	290	G	94.3	94.1	94.1	93.6	75.00	83.00	86.00	118.0	180	230	22	45
40	364T	1185	19.0	49.0	290	G	94.4	94.6	94.1	93.6	68.00	77.00	81.00	177.0	190	220	29	55
40	365T	885	36.0	63.0	290	G	93.0	93.1	91.7	91.0	49.00	60.00	65.00	237.0	150	200	25	40
50	326TS	3535	15.0	55.0	363	G	93.8	94.1	93.6	93.0	82.00	89.00	91.00	74.0	150	250	18	37
50	326T	1780	19.0	58.0	384	G	94.8	95.0	94.5	94.1	74.00	82.00	85.00	148.0	170	230	22	45
50	365T	1185	24.0	62.0	363	G	94.0	94.3	94.1	93.6	67.00	76.00	80.00	222.0	190	220	29	55
50	404T	885	28.0	67.0	363	G	93.0	93.1	92.4	91.7	64.00	73.00	76.00	297.0	140	200	25	40
60	364TS	3565	19.0	68.0	435	G	93.8	94.1	93.6	93.0	80.00	86.00	88.00	89.0	160	250	16	28
60	364T	1780	21.0	68.0	435	G	95.2	95.4	95.0	94.5	77.00	85.00	87.00	177.0	180	240	26	38
60	404T	1185	28.0	74.0	435	G	94.2	94.7	94.5	94.1	65.00	76.00	80.00	266.0	180	220	25	50
60	405T	885	30.0	78.0	435	G	93.0	93.1	92.4	91.7	66.00	75.00	78.00	356.0	140	200	30	35
75	365TS	3565	22.0	86.0	543	G	93.7	94.3	94.1	93.6	81.00	86.00	88.00	111.0	160	260	16	27
75	365T	1780	25.0	85.0	543	G	95.6	95.8	95.4	95.0	78.00	85.00	87.00	221.0	180	240	25	35
75	405T	1185	34.0	93.0	543	G	94.7	94.9	94.5	94.1	68.00	77.00	80.00	332.0	180	220	33	45
75	444T	885	37.0	94.0	543	G	93.5	93.9	93.6	93.0	67.00	76.00	80.00	445.0	135	200	25	32
100	405TS	3570	19.0	108.0	725	G	94.6	94.7	94.1	93.6	90.00	92.00	92.00	147.0	120	200	25	45
100	405T	1780	30.0	113.0	725	G	95.8	96.0	95.4	95.0	80.00	86.00	87.00	295.0	180	200	25	35
100	444T	1185	39.0	117.0	725	G	95.1	95.3	95.0	94.5	73.00	81.00	84.00	443.0	160	200	30	35
100	445T	885	48.0	123.0	725	G	94.2	94.5	94.1	93.6	70.00	78.00	81.00	593.0	130	200	22	30
125	444TS	3575	32.0	138.0	908	G	94.5	95.1	95.0	94.5	84.00	88.00	89.00	184.0	120	200	18	23
125	444T	1785	45.0	143.0	908	G	95.4	95.6	95.4	95.0	78.00	84.00	86.00	368.0	160	200	20	25
125	445T	1185	48.0	144.0	908	G	95.1	95.4	95.0	94.5	74.00	82.00	85.00	554.0	160	200	25	35
125	447T	885	54.0	152.0	908	G	94.6	94.7	94.1	93.6	70.00	79.00	82.00	742.0	130	200	20	30
150	445TS	3575	37.0	164.0	1085	G	94.8	95.2	95.0	94.5	84.00	89.00	90.00	220.0	120	200	15	18
150	445T	1785	52.0	170.0	1085	G	95.7	96.0	95.8	95.4	78.00	84.00	86.00	441.0	150	200	20	30
150	447T	1190	59.0	172.0	1085	G	95.6	96.0	95.8	95.4	73.00	82.00	85.00	662.0	140	200	28	43
150	449T	885	61.0	180.0	1085	G	94.3	94.5	94.1	93.6	72.00	80.00	83.00	890.0	130	200	20	25
200	447TS	3575	44.0	216.0	1450	G	95.3	95.6	95.4	95.0	88.00	90.00	91.00	294.0	120	200	16	20
200	447T	1785	73.0	228.0	1450	G	96.2	96.5	96.2	95.8	75.00	83.00	85.00	588.0	160	200	18	25
200	449T	1190	73.0	227.0	1450	G	95.6	96.2	95.8	95.4	75.00	83.00	86.00	883.0	125	200	25	32
200	449T	885	78.0	240.0	1450	G	95.0	95.0	94.5	94.1	71.00	79.00	83.00	1187.0	125	200	15	25
250	449TS	3575	45.0	265.0	1825	G	95.7	96.0	95.8	95.0	89.00	91.00	91.00	368.0	120	200	12	18
250	449T	1785	90.0	278.0	2100	H	96.1	96.3	96.2	95.8	78.00	85.00	87.00	735.0	140	200	18	25
250	449T	1190	86.0	281.0	2050	H	95.7	96.0	95.8	95.4	81.00	86.00	87.00	1104.0	120	200	20	25
300	449TS	3570	68.0	325.0	2200	G	95.2	95.8	95.8	95.4	86.00	90.00	91.00	441.0	100	200	12	13
300	449T	1785	114.0	338.0	2400	H	96.1	96.3	96.2	95.8	75.00	83.00	86.00	882.0	140	200	22	30

Typical performance data, not guaranteed  
 NEMA Premium® is a certification mark of the National Electrical Manufacturers Association.

Introduction  
 General Purpose Motors  
 Severe Duty Motors  
 Hazardous Duty Motors  
 Definite Purpose Motors  
 Special Features Detail  
 Options Selection and Pricing  
 Typical Performance Data  
 General Dimensions  
 Part Number Index

# Typical performance data

SIMOTICS Definite purpose – 460V 60HZ  
SD10 MS

1 winding variable torque

HP	Frame	FL RPM	Current (A)			kVA/ hp Code	Normal Efficiency (%)			Power Factor			Torque			Locked Rotor Stall Time	
			No Load	Full Load 460V	Locked Rotor		1/2 Load - % -	3/4 Load - % -	Full Load - % -	1/2 Load	3/4 Load	Full Load	Full load -lb-ft	Locked Rotor - % -	Break Down - % -	Hot - sec -	Cold - sec -
1 0.25	143T	1745 850	1.3 0.8	1.8 0.9	11 2.5	K	70.5 42	74.5 48.8	75.5 52.5	47 34	60 42	69 50	3 1.5	7.5 2.4	8.7 3.8	12	22
1.5 0.37	145T	1740 855	1.4 0.9	2.2 1	14.6 3.3	K	79.7 48.5	81.9 53.9	81.5 55.5	57 47	70.4 58.7	78.3 62.4	4.5 2.2	11.3 3.1	12.6 5	12	24
2 0.5	182T	1745 865	1.2 0.9	2.7 1.3	20 4.9	K	82.7 60.72	84.3 67.1	84 70	62.6 33.3	76.16 42.7	82.57 51.45	6.0 3.0	14.1 4.2	17.4 6.8	12	25
3 0.75	184T	1735 855	2 1.1	4 1.5	32 5.5	J	85.5 69.8	85.4 74.1	84 75.5	69 40.4	79 52.5	83.6 62.0	9.0 4.6	21.6 6.2	26.1 10.1	18	36
5 1.2	213T	176 865	3.6 1.9	6.6 2.4	46 9	J	84.6 72.05	85.9 76.9	85.5 78.5	62.6 40.2	75.7 51.4	82.9 59.6	14.9 7.3	27.6 8.8	33.5 14.6	14	26
7.5 1.9	215T	1760 865	5.2 2.6	9.9 3.5	63 13	J	85 170	86 72.5	85.5 74	62 46	76 60	82.9 68.6	22.4 11.5	39.2 15	48.2 59.4	14	26
10 2.5	254T	1770 880	6 4.3	12.9 5.4	81 18	H	87.8 75	88.7 79.7	88.5 81.5	65.8 34.6	76.7 45.1	82.0 53.1	29.7 14.9	49 16.4	59.4 26.8	14	29
15 3.7	256T	1770 880	7.7 5.6	18.5 7.5	115 26	J	89.8 79	90.5 82.9	90.2 84	69 37.06	79 47.8	84.2 54.9	44.5 22.09	71.2 26.5	89 39.8	17	32
20 5	284T	1770 880	10 7.2	25 9.3	153 37	G	88.7 80	89 83	88.5 84	71 38	51 50	85 59	59.4 30	113 54	159 75	19	40
25 6.2	286T	1765 880	10.5 8	30 11.5	177 46	G	90.3 82.9	90.4 85.2	89.5 85.5	76 40	84 52	87 60	74 37	140 55	177 74	19	40
30 7.5	324T	1770 885	11.5 8.5	35 13	240 554	H	91.9 85	92.3 87.7	91.7 88.5	85 44	77 56	88 61	89 45	195 67	240 90	20	40
40 10	326T	1770 885	16 11.2	46 17	340 81	H	92.7 85.8	92.9 88.4	92.4 88.5	73 41	83 53	88 61	124 59	248 88	322 129	20	40
50 12.5	364T	1780 890	20.5 15.5	58 22.5	425 97	H	93.3 86.4	93.5 88.8	93 89.5	73 38	83 50	86 58	147 74	265 96	352 192	22	42
60 15	365T	1780 885	26 18.5	93.3 86.2	458 103	G	93.3 86.2	93.5 81	93 88.5	73 39	81 51	85 59	178 89	284 112	384 178	22	45
75 19	405T	1785 890	26.5 20	86 32	568 120	G	90.5 85.8	92.6 88.1	93 88.5	79 45	84 56	86 63	220 112	352 156	550 212	23	42
100 25	444TS	1790 890	41.5 31	118 46	804 178	H	94 88.4	94.1 90.4	93.6 91	73 40	81 51	84 59	293 147	644 220	820 286	28	36
125 31	445TS	1790 890	46 39	158 57	1045 223	H	92.7 88.9	93.2 90.9	93 91.7	67 38	77 48	81 56	367 182	697 273	880 364	20	23
150 37	447TS	1785 890	64.5 45.5	176 68	1260 273	H	92.1 87.6	93.2 89.6	93.6 90.2	73 39	82 50	85 58	441 221	926 375	1190 440	24	29
200 50	449TS	1785 890	65 51	230 86	1460 291	G	92.3 91.6	93.3 92.9	94.5 93	79 43	85 53	86 58	588 295	1058 383	1410 501	22	30
250 62.5	449TS	1785 890	81 59	289 105	1835 366	G	92.9 90	93.6 91.1	93.6 91	79 45	85 56	87 61	735 369	1433 516	1984 590	20	25

Typical performance data, not guaranteed



# Typical performance data

## SIMOTICS Definite purpose – 460V 60HZ RGKESDI / RGZESDI

Constant torque 1000:1  
Inverter duty only

HP	Frame	FL RPM	Speed Range	F.L. RPM	FL Amps	NL Amps	FL Torque (lb-ft)	Max. Torque Const. HP (lb-ft.)	Max. RPM Const. HP	Ohms/Phase (Y equiv.) Circuit Parameter 25°C				
										X1	X2	XM	R1	R2
1	145T	1800	1000:1	1740	1.4	1.1	3	1.5	3480	7.12	8.21	335	11.28	7.59
1	182T	1200	1000:1	1175	1.8	1.5	4.5	2.3	2400	5.2	9.40	185	6.28	4.54
1.5	182T	3600	1000:1	3485	2	1.6	2.3	1.5	5225	4.34	2.21	193	2.84	2.02
1.5	182T	1800	1000:1	1740	2.2	1.8	4.5	2.2	3480	4.93	8.37	305	5.48	4.45
1.5	184T	1200	1000:1	1160	2.4	1.9	6.8	3.4	2320	3.59	7.37	145	4.26	3.43
2	184T	3600	1000:1	3505	2.5	1.7	3	2	5275	2.62	1.54	135	1.86	1.4
2	182T	1800	1000:1	1740	2.7	1.8	6.1	3	3480	3.7	6.07	209	4.32	3.57
2	213T	1200	1000:1	1160	3.2	2.3	9.1	4.5	2320	3.24	4.57	130	3.25	1.73
3	213T	3600	1000:1	3510	3.7	3.3	4.5	3	5265	2.08	1.46	83.6	1.2	0.71
3	184T	1800	1000:1	1740	4.2	3.2	9.1	4.5	3480	2.17	3.78	123	2.58	2.29
3	215T	1200	1000:1	1160	4.3	3.1	14	6.8	2320	2.01	2.91	86.8	1.99	1.23
5	215T	3600	1000:1	3510	5.8	3.5	7.5	5	5265	1.67	1.27	74	0.97	0.6
5	213T	1800	1000:1	1760	6.5	4.2	15	7.5	3520	1.6	3.2	84	1.3	0.92
5	254T	1200	1000:1	1165	7.1	4.5	23	11.3	2330	1.66	1.89	54.3	0.82	0.58
7.5	254T	3600	1000:1	3510	8.7	5	11	7.5	5265	1.33	1.03	57.6	0.39	0.31
7.5	254T	1800	1000:1	1775	9.5	7.3	23	11.1	3550	1.3	2.7	66	0.7	0.52
7.5	256T	1200	1000:1	1165	10	5	34	16.8	2330	1.41	1.71	52.1	0.68	0.53
10	256T	3600	1000:1	3515	12.5	6	15	10	5270	0.95	0.8	40.3	0.3	0.27
10	256T	1800	1000:1	1770	12.5	5.7	30	15	3500	0.86	1.90	48	0.45	0.38
10	256T	1200	1000:1	1165	13	10	45	22	2330	1.41	1.71	52	0.68	0.53
15	254T	3600	1000:1	3530	18	5	22	15	5295	1.33	1.03	57.6	0.39	0.31
15	254T	1800	1000:1	1760	20	7.3	45	22	3520	0.85	1.61	38.5	0.38	0.34
15	284T	1200	1000:1	1175	20	10	67	40	1955	1.00	1.11	26.3	0.40	0.24
20	256T	3600	1000:1	3525	23	7.4	30	20	5285	0.95	0.80	40.3	0.30	0.27
20	256T	1800	1000:1	1755	27	9.1	60	30	3510	0.60	1.26	30.7	0.26	0.26
20	286T	1200	1000:1	1175	26	12	89	54	1955	0.77	0.93	22.9	0.29	0.21
25	284TS	3600	1000:1	3525	29	8	37	25	4700	0.55	1.14	38.5	0.27	0.21
25	284T	1800	1000:1	1765	29	13	74	50	2940	0.55	0.88	22.8	0.19	0.18
25	324T	1200	1000:1	1180	33	15	111	67	1965	0.67	0.65	16.1	0.17	0.15
30	286TS	3600	1000:1	3525	34	9.5	45.0	30	4700	0.42	0.98	33.8	0.2	0.17
30	286T	1800	1000:1	1765	35	15	89	60	2940	0.44	0.75	20.3	0.15	0.15
30	326T	1200	1000:1	1180	39	19	134	80	1965	0.56	0.56	13.9	0.15	0.13
40	324TS	3600	1000:1	3530	46	12	60	48	4705	0.33	0.60	22.6	0.088	0.100
40	324T	1800	1000:1	1770	47	15	119	79	2940	0.38	0.67	18.5	0.110	0.100
40	364T	1200	1000:1	1180	52	24	178	119	1770	0.41	0.70	11.6	0.100	0.070
50	326TS	3600	1000:1	3530	55	15	74	60	4705	0.25	0.49	18.8	0.072	0.083
50	326T	1800	1000:1	1770	58	18	148	99	2950	0.31	0.54	15.8	0.082	0.082
50	365T	1200	1000:1	1180	66	30	223	148	1770	0.32	0.58	10.4	0.081	0.058

Typical performance data, not guaranteed

Introduction  
General Purpose Motors  
Severe Duty Motors  
Hazardous Duty Motors  
Definite Purpose Motors  
Special Features Detail  
Options Selection and Pricing  
Typical Performance Data  
General Dimensions  
Part Number Index

# Typical performance data

## SIMOTICS Definite purpose – 460V 60HZ RGKESDI / RGZESDI

Constant torque 1000:1  
Inverter duty only

HP	Frame	FL RPM	Speed Range	F.L RPM	FL Amps	NL Amps	FL Torque (lb-ft)	Max Torque Const. HP (lb-ft)	Max RPM Const. HP	Ohms/Phase (Y equiv.) Circuit Parameter 25°C				
										X1	X2	XM	R1	R2
60	364TS	3600	1000:1	3565	68	19	89	89	4455		0.30	0.56	14.8	0.066
60	364T	1800	1000:1	1775	71	21	178	118	2660		0.30	0.46	11.6	0.066
60	404TS	1200	1000:1	1185	72	26	266	177	1775		0.35	0.58	10.8	0.049
75	365TS	3600	1000:1	3565	85	22	111	111	4455		0.20	0.46	12.8	0.045
75	365T	1800	1000:1	1775	87	27	222	148	2660		0.23	0.37	9.2	0.051
75	405TS	1200	1000:1	1185	87	34	332	222	1775		0.26	0.45	8.4	0.035
100	405TS	3600	1000:1	3570	110	19	147	147	3570		0.21	0.32	16.0	0.034
100	405TS	1800	1000:1	1780	113	30	295	197	2670		0.2	0.37	9.6	0.028
100	444TS	1200	1000:1	1185	115	38	443	296	1775		0.17	0.35	7.3	0.026
125	444TS	3600	1000:1	3575	136	32	184	184	3575		0.14	0.27	8.8	0.018
125	444TS	1800	1000:1	1785	143	42	368	245	2675		0.14	0.33	6.7	0.017
125	445TS	1200	1000:1	1185	144	44	554	370	1775		0.14	0.29	6.2	0.02
150	445TS	3600	1000:1	3575	160	37	220	220	3575		0.1	0.21	7.2	0.012
150	445TS	1800	1000:1	1785	169	45	441	294	2675		0.12	0.3	6.1	0.015
150	447TS	1200	1000:1	1185	169	45	665	444	1775		0.13	0.28	6.1	0.017
200	447TS	3600	1000:1	3575	208	40	294	294	3575		0.087	0.2	7.0	0.01
200	447TS	1800	1000:1	1785	223	60	588	471	2375		0.085	0.22	4.6	0.01
200	449TS	1200	1000:1	1185	222	55	886	592	1775		0.092	0.21	4.8	0.013
250	449TS	3600	1000:1	3570	264	45	368	368	3570		0.690	0.17	6.4	0.008
250	449TS	1800	1000:1	1785	282	78	735	589	2380		0.064	0.18	3.7	0.007
250	449TS	1200	1000:1	1185	285	75	1108	739	1775		0.076	0.18	3.8	0.01
300	449TS	3600	1000:1	3575	330	68	441	441	3575		0.051	0.13	4.1	0.006
300	449TS	1800	1000:1	1785	345	110	882	706	2380		0.052	0.141	2.7	0.007
300	S449SS	1200	1000:1	1185	335	90	1329	886	1775		0.092	0.091	3.2	0.007
350	S449SS	3600	1000:1	3570	370	67	515	515	3570		0.064	0.062	4.2	0.005
350	S449SS	1800	1000:1	1785	390	115	1029	825	2380		0.066	0.079	2.4	0.004
350	S449SS	1200	1000:1	1185	396	133	1551	1034	1775		0.069	0.067	2.3	0.005
400	S449SS	3600	1000:1	3570	420	80	588	588	3570		0.052	0.052	3.5	0.004
400	S449SS	1800	1000:1	1785	450	138	1176	942	2380		0.060	0.071	2.0	0.003

Typical performance data, not guaranteed

# Typical performance data

## SIMOTICS Definite purpose – 460V 60HZ

### RGZVESD / RGZVILESD

## Solid shaft vertical motors

HP	Frame	FL RPM	Current (A)			kVA/ hp Code	Normal Efficiency (%)			Power Factor			Torque			Locked Rotor Stall Time	
			No Load	Full Load 460V	Locked Rotor		1/2 Load - % -	3/4 Load - % -	Full Load - % -	1/2 Load	3/4 Load	Full Load	Full load -lb-ft	Locked Rotor - % -	Break Down - % -	Hot - sec -	Cold - sec -
1	143	1745	1	1.5	13	L	78.5	81.6	82.5	54	67	76	3	275	320	16	35
1	145	1160	1	1.6	10	J	79.9	82.3	82.5	48	62	79	4.5	240	300	19	31
1	182	860	1.2	1.9	8	H	75.1	77.4	77	43	55	64	6.1	220	260	20	40
1.5	143	3520	1	1.9	18	L	76.5	80.7	82.5	76	85	90	2.2	270	320	15	33
1.5	145	1750	1.3	2.2	19	L	81.5	83.6	84	55	68	76	4.5	290	320	15	32
1.5	182	1160	1.5	2.3	16	K	80.2	82.7	84	51	65	73	6.8	280	320	22	33
1.5	184	855	1.8	2.6	13	H	76.5	78.9	78.5	46	59	69	9.2	220	270	18	30
2	145	3515	1.1	2.5	22	K	79.4	82.9	84	75	84	89	3	260	320	15	33
2	145	1740	1.5	2.7	21	K	83.2	84.5	84	61	74	82	6	260	310	13	27
2	184	1160	1.9	3	22	K	83.5	85.0	85.5	51	64	73	9.1	220	300	21	32
2	213	865	2.2	3.3	17	H	79.0	81.0	81.5	47	61	70	12	200	290	18	30
3	182	3510	1.7	3.6	32	K	82.8	85.2	85.5	76	85	91	4.5	230	320	15	34
3	182	1740	1.8	3.9	30	K	86.5	87.0	86.5	66	77	83	9.1	260	300	16	35
3	213	1165	2.3	4	32	K	84.8	86.6	86.5	59	74	81	14	210	300	17	35
3	215	865	3.1	4.7	26	H	81.0	82.7	82.5	49	63	72	18	190	280	15	32
5	184	3490	1.8	5.8	46	J	85.5	86.8	86.5	83	90	93	8	260	320	12	26
5	184	1730	3.2	6.5	46	J	86.5	87.2	86.5	64	76	83	15	260	300	17	36
5	215	1160	3.3	6.8	46	J	88.0	88.7	87.5	60	72	79	23	210	300	14	29
5	254	865	4.1	7.5	40	H	85.0	86.0	85.5	54	67	73	30	180	260	13	25
7.5	213	3515	3.4	8.8	64	H	86.0	87.0	87.5	78	87	91	11	190	280	11	25
7.5	213	1750	4.2	9.5	64	H	88.0	89.0	88.5	66	77	84	23	210	270	14	29
7.5	254	1170	4.5	9.8	60	H	88.9	89.2	88.5	61	75	81	34	180	250	18	35
7.5	256	865	6.6	11.5	64	H	86.0	87.0	86.5	50	62	70	46	190	260	15	30
10	215	3505	4	12	81	H	88.0	88.8	88.5	81	90	88	15	190	260	14	29
10	215	1750	5.4	12.5	81	H	88.5	89.0	88.5	69	80	85	30	210	270	15	30
10	256	1165	5	13	75	G	90.0	89.8	88.5	66	76	81	45	170	250	18	35
10	284	875	9.1	15	81	H	87.9	89.4	89.5	51	62	70	60	150	220	15	30
15	254	3530	5	17	116	G	86.8	88.3	88.5	85	91	93	22	190	260	17	31
15	254	1760	7.3	19	116	G	90.2	90.6	90.2	69	79	83	45	190	260	18	35
15	284	1175	10	20	116	G	89.5	90.2	89.5	58	72	78	67	160	270	20	45
15	286	875	14	23	116	G	88.6	89.9	89.5	51	61	68	90	150	220	18	35
20	256	3525	7.4	23	145	G	86.6	88.2	88.5	84	88	92	30	180	260	17	25
20	256	1755	9.1	26	145	G	90.6	90.9	90.2	68	77	81	60	190	270	18	35
20	286	1175	12	26	145	G	90.6	90.9	90.2	63	74	80	89	160	250	19	43
20	324	880	18	31	145	G	88.5	89.7	89.5	51	62	68	119	140	200	15	35
25	284	3525	8	29	183	G	90.5	90.7	90.2	81	86	89	37	160	250	16	30
25	284	1765	13	29	183	G	92.0	92.3	91.7	73	83	88	74	220	280	19	40
25	324	1180	15	33	183	G	90.8	91.3	91	58	70	78	111	170	240	25	50
25	326	880	22	38	183	G	87.5	88.8	88.5	51	63	70	149	150	200	22	40

Typical performance data, not guaranteed

Introduction  
General Purpose Motors  
Severe Duty Motors  
Hazardous Duty Motors  
Definite Purpose Motors  
Special Features Detail  
Options Selection and Pricing  
Typical Performance Data  
General Dimensions  
Part Number Index

# Typical performance data

## SIMOTICS Definite purpose – 460V 60HZ

### RGZVESD / RGZVILESD

## Solid shaft vertical motors

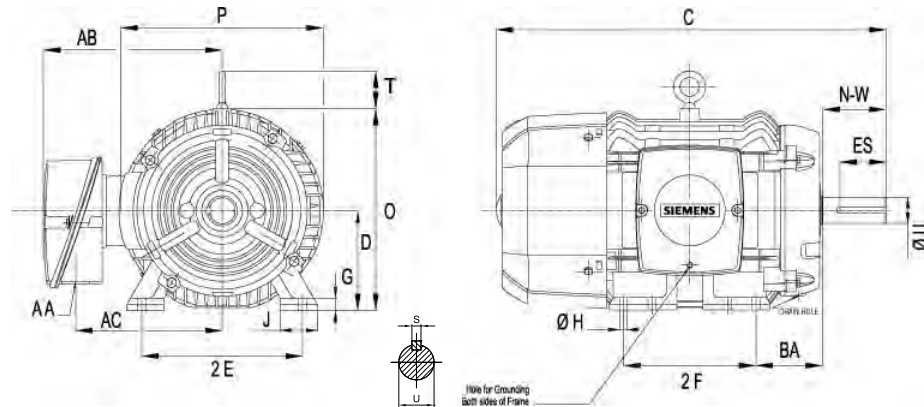
HP	Frame	FL RPM	Current (A)			kVA/ hp Code	Normal Efficiency (%)			Power Factor			Torque			Locked Rotor Stall Time	
			No Load	Full Load 460V	Locked Rotor		1/2 Load - % -	3/4 Load - % -	Full Load - % -	1/2 Load	3/4 Load	Full Load	Full load -lb-ft	Locked Rotor - % -	Break Down - % -	Hot - sec -	Cold - sec -
30	286	3525	9.5	34	218	G	91.3	91.5	91.0	86	91	92	45.0	160	250	16	30
30	286	1765	15	35	218	G	91.9	92.3	91.7	73	84	88	89	220	280	19	40
30	326	1180	19	39	218	G	91.2	91.5	91.0	59	71	79	134	170	240	25	50
30	364	885	26	47	218	G	88.4	89.8	89.5	51	63	67	178	150	200	22	40
40	324	3530	12	45	290	G	92.8	92.9	92.4	81	88	90	60	150	250	22	45
40	324	1770	15	47	290	G	92.8	93.0	92.4	78	83	86	119	190	240	20	40
40	364	1180	24	52	290	G	92.4	92.7	92.4	60	72	78	178	170	230	29	55
40	365	885	36	63	290	G	89.2	90.5	90.2	50	61	66	237	150	200	25	40
50	326	3530	15	55	363	G	92.9	93.0	92.4	83	90	92	74	150	250	18	37
50	326	1770	18	58	363	G	92.9	93.0	92.4	78	88	87	148	190	240	20	40
50	365	1180	30	66	363	G	92.8	93.0	92.4	61	72	77	223	170	230	29	55
50	404	885	28	67	363	G	90.8	90.9	90.2	65	74	77	297	140	200	25	45
60	364	3565	19	68	435	G	92.6	92.9	92.4	81	87	89	89	160	250	16	28
60	364	1775	21	71	435	G	92.7	92.9	92.4	75	83	86	178	160	240	22	45
60	404	1185	26	74	435	G	93	93.4	93.0	71	79	82	266	150	200	25	50
60	405	885	30	78	435	G	90.8	90.9	90.2	68	77	80	356	140	200	30	35
75	365	3565	22	85	543	G	93.2	93.4	93.0	82	87	89	111	160	260	16	27
75	365	1775	27	87	543	G	93.3	93.5	93.0	75	84	86	222	155	240	22	45
75	405	1185	34	93	543	G	93.8	94.0	93.6	69	78	81	332	150	200	33	45
75	444	885	37	94	543	G	91.6	92.0	91.7	68	77	81	445	135	200	25	32
100	405	3570	19	108	725	G	93.5	93.6	93.0	91	93	93	147	120	200	25	45
100	405	1780	30	113	725	G	94	94.3	93.6	81	86	88	295	160	200	25	35
100	444	1185	38	117	725	G	93.7	94.0	93.6	76	83	86	443	140	200	30	35
100	445	885	48	123	725	G	93.1	93.4	93.0	71	79	82	593	130	200	22	30
125	444	3575	32	138	908	G	93.1	93.7	93.6	86	90	91	184	120	200	18	23
125	444	1785	42	143	908	G	94.2	94.4	94.1	79	85	87	368	160	200	20	25
125	445	1185	44	144	908	G	93.8	94.0	93.6	79	85	87	554	140	200	25	35
125	447	885	54	152	908	G	92.9	93.0	92.4	71	80	83	742	130	200	20	40
150	445	3575	37	164	1085	G	93.9	94.3	94.1	85	90	91	220	120	200	15	18
150	445	1785	45	170	1085	G	94.4	94.7	94.5	81	86	87	441	150	200	20	30
150	447	1185	45	170	1085	G	94.5	94.7	94.1	82	87	88	665	125	200	28	43
150	447	885	72	186	1085	G	93.0	93.4	93.0	68	77	81	890	130	200	20	25
200	447	3575	40	216	1450	G	94.0	94.3	94.1	89	91	92	294	120	200	16	20
200	447	1785	60	225	1450	G	94.7	94.8	94.5	82	87	88	588	150	200	18	25
200	449	1185	55	226	1450	G	94.5	94.6	94.1	83	87	88	886	125	200	25	32
200	449	885	101	241	1450	G	93.8	94	93.6	72	80	83	1186	125	200	15	25
250	449	3570	45	267	1825	G	94.0	94.3	94.1	91	93	93	368	120	200	12	18
250	449	1785	78	281	1825	G	94.5	94.7	94.5	81	86	88	735	140	200	18	25
250	449	1185	75	280	1825	G	94.5	94.6	94.1	83	88	89	1108	120	200	20	25

Typical performance data, not guaranteed

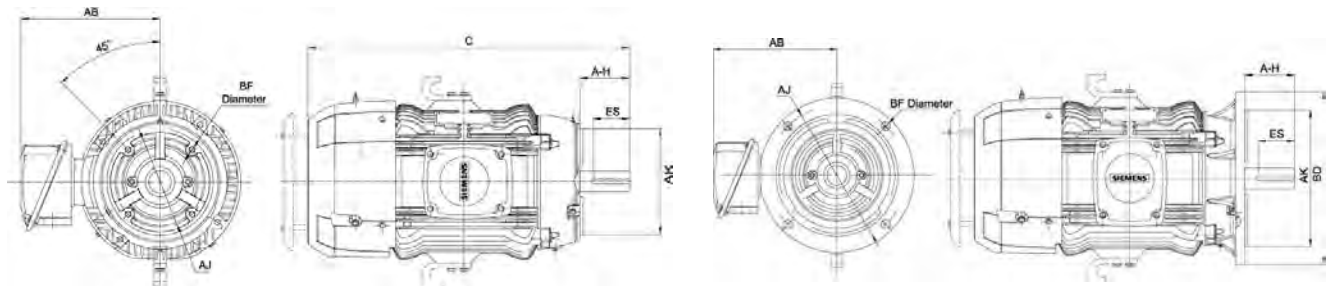
# General dimensions

## GP100A

## General purpose Frames 140-250



Frame	Poles	C	2F	N-W	P	U	BA	AB	2E	D	O	Keyseat		
												R	S	ES
143T	All	14.37	4.00	2.25	7.6	0.875	2.25	7.00	5.5	3.50	7.28	0.771	0.188	1.41
145T	All	14.37	5.00	2.25	7.6	0.875	2.25	7.00	5.5	3.50	7.28	0.771	0.188	1.41
182T	All	16.68	4.50	2.75	8.7	1.125	2.75	6.94	7.5	4.50	8.87	0.986	0.250	1.81
184T	All	16.68	5.50	2.75	8.7	1.125	2.75	6.94	7.5	4.50	8.87	0.986	0.250	1.81
213T	All	20.65	5.50	3.38	10.3	1.375	3.50	8.27	8.5	5.25	10.41	1.201	0.312	2.44
215T	All	20.65	7.00	3.38	10.3	1.375	3.50	8.27	9.0	5.25	10.41	1.201	0.312	2.44
254T	All	26.16	8.25	4.00	12.4	1.625	4.25	9.35	10.0	6.25	12.43	1.416	0.375	2.91
256T	All	26.16	10.00	4.00	12.4	1.625	4.25	9.35	10.0	6.25	12.43	1.416	0.375	2.91



Frame	Poles	C-Face						
		BA*	AH	AJ	AK	BD	BF #	BF
143TC	All	2.25	2.12	5.875	4.5	6.60*	4	3/8-16" NC
145TC	All	2.25	2.12	5.875	4.5	6.60*	4	3/8-16" NC
182TC	All	2.75	2.62	7.250	8.5	8.90	4	1/2-13" NC
184TC	All	2.75	2.62	7.250	8.5	8.90	4	1/2-13" NC
213TC	All	3.50	3.12	7.250	8.5	8.90	4	1/2-13" NC
215TC	All	3.50	3.12	7.250	8.5	8.90	4	1/2-13" NC
254TC	All	4.25	3.75	7.250	8.5	9.30	4	1/2-13" NC
256TC	All	4.25	3.75	7.250	8.5	9.30	4	1/2-13" NC

Frame	Poles	D-Flange						
		BA*	AH	AJ	AK	BD	BF #	BF
143TD	All	2.25	2.25	10.0	9.0	10.90	4	0.53
145TD	All	2.25	2.25	10.0	9.0	10.90	4	0.53
182TD	All	2.75	2.75	10.0	9.0	11.00	4	0.53
184TD	All	2.75	2.75	10.0	9.0	11.00	4	0.53
213TD	All	3.50	3.38	10.0	9.0	10.90	4	0.53
215TD	All	3.5	3.38	10.0	9.0	10.90	4	0.53
254TD	All	4.25	4.00	12.5	11.0	13.90	4	0.53
256TD	All	4.25	4.00	12.5	11.0	13.90	4	0.53

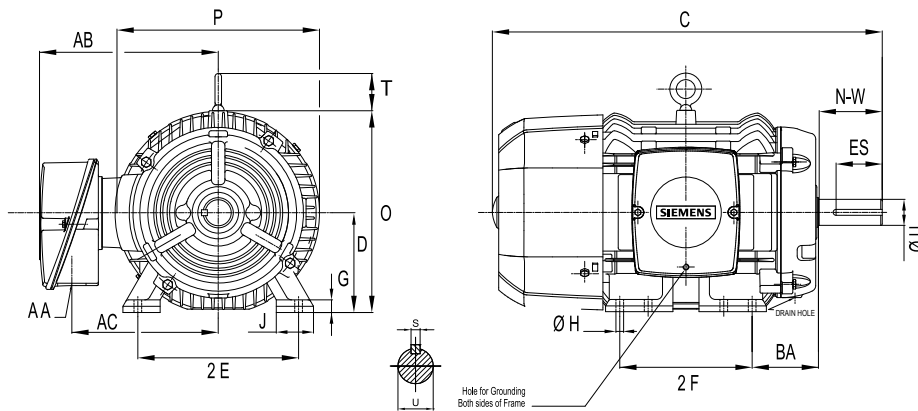
Dimensions in inches.  
Typical dimensions data, not guaranteed.  
\*Not according to NEMA.

Introduction  
General Purpose Motors  
Severe Duty Motors  
Hazardous Duty Motors  
Definite Purpose Motors  
Special Features Detail  
Options Selection and Pricing  
Typical Performance Data  
General Dimensions  
Part Number Index

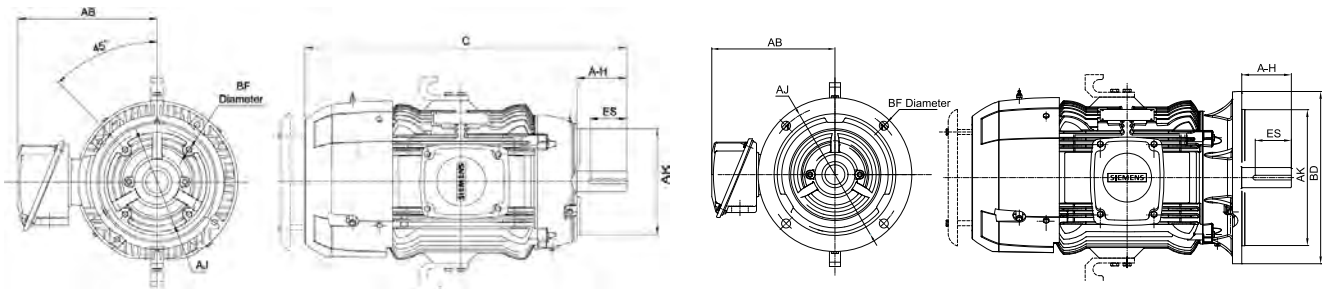
# General dimensions

## GP100

## General purpose Frames 140–250



Frame	Poles	C	2F	N-W	P	U	BA	AB	2E	D	O	Keyseat		
												R	S	ES
143T	All	14.40	4.00	2.25	7.6	0.875	2.25	6.90	5.5	3.50	7.50	0.771	0.188	1.41
145T	All	14.40	5.00	2.25	7.6	0.875	2.25	6.90	5.5	3.50	7.50	0.771	0.188	1.41
182T	All	16.70	4.50	2.75	9.6	1.125	2.75	7.80	7.5	4.50	11.10	0.986	0.250	1.81
184T	All	16.70	5.50	2.75	9.6	1.125	2.75	7.80	7.5	4.50	11.10	0.986	0.250	1.81
213T	All	20.70	5.50	3.38	10.7	1.375	3.50	9.45	8.5	5.25	10.66	1.201	0.312	2.44
215T	All	20.70	7.00	3.38	10.7	1.375	3.50	9.45	9.0	5.25	10.66	1.201	0.312	2.44
254T	All	26.16	8.25	4.00	12.9	1.625	4.25	10.197	10.0	6.25	12.75	1.416	0.375	2.91
256T	All	26.16	10.00	4.00	12.9	1.625	4.25	10.197	10.0	6.25	12.75	1.416	0.375	2.91



Frame	Poles	C-Face						
		BA*	AH	AJ	AK	BD	BF #	BF
143TC	All	2.25	2.12	5.875	4.5	6.60*	4	3/8-16" NC
145TC	All	2.25	2.12	5.875	4.5	6.60*	4	3/8-16" NC
182TC	All	2.75	2.62	7.250	8.5	8.90	4	1/2-13" NC
184TC	All	2.75	2.62	7.250	8.5	8.90	4	1/2-13" NC
213TC	All	3.50	3.12	7.250	8.5	8.90	4	1/2-13" NC
215TC	All	3.50	3.12	7.250	8.5	8.90	4	1/2-13" NC
254TC	All	4.25	3.75	7.250	8.5	9.30	4	1/2-13" NC
256TC	All	4.25	3.75	7.250	8.5	9.30	4	1/2-13" NC

Frame	Poles	D-Flange						
		BA*	AH	AJ	AK	BD	BF #	BF
143TD	All	2.25	2.25	10.0	9.0	10.90	4	0.53
145TD	All	2.25	2.25	10.0	9.0	10.90	4	0.53
182TD	All	2.75	2.75	10.0	9.0	11.00	4	0.53
184TD	All	2.75	2.75	10.0	9.0	11.00	4	0.53
213TD	All	3.50	3.38	10.0	9.0	10.90	4	0.53
215TD	All	3.50	3.38	10.0	9.0	10.90	4	0.53
254TD	All	4.25	4.00	12.5	11.0	13.90	4	0.81
256TD	All	4.25	4.00	12.5	11.0	13.90	4	0.81

Dimensions in inches.

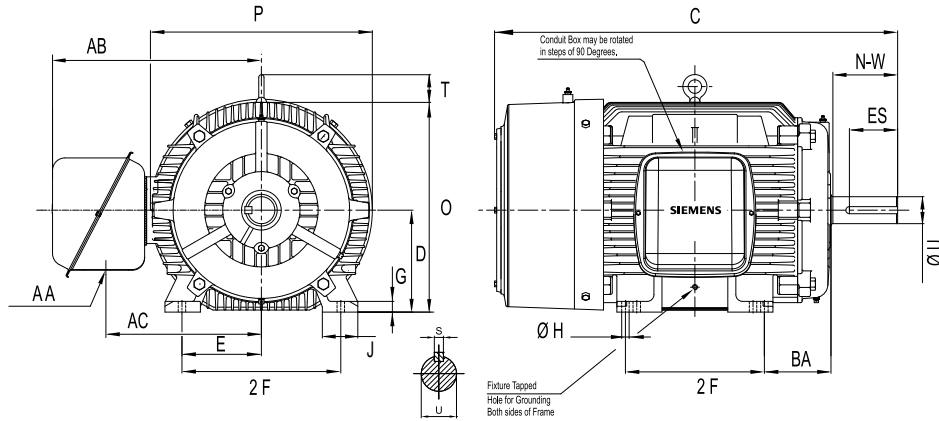
Typical dimensions data, not guaranteed.

\*Not according to NEMA.

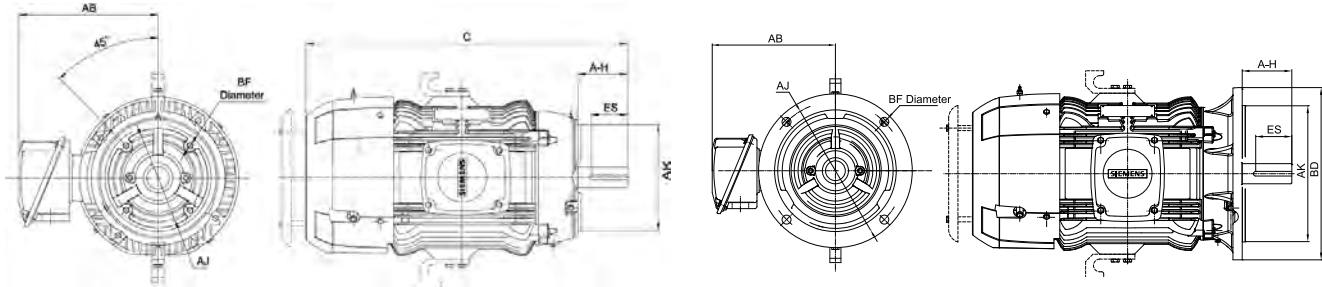
# General dimensions

## GP100

## General purpose Frames 280-320



Frame	Poles	C	2F	N-W	P	U	BA	AB	2E	D	O	Keyseat		
												R	S	ES
284T	All	29.38	9.5	4.63	15.8	1.875	4.75	13.63	11.0	7	14.87	1.59	0.500	3.25
286T	All	29.38	11.0	4.63	15.8	1.875	4.75	13.63	11.0	7	14.87	1.59	0.500	3.25
284TS	All	28.00	9.5	3.25	15.8	1.625	4.75	13.63	11.0	7	14.87	1.42	0.375	1.88
286TS	All	28.00	11.0	3.25	15.8	1.625	4.75	13.63	11.0	7	14.87	1.42	0.375	1.88
324T	All	32.07	10.5	5.25	17.7	2.125	5.25	14.14	12.5	8	16.66	1.85	0.500	3.88
326T	All	32.07	12.0	5.25	17.7	2.125	5.25	14.14	12.5	8	16.66	1.85	0.500	3.88
324TS	All	30.57	10.5	3.75	17.7	1.875	5.25	14.14	12.5	8	16.66	1.59	0.500	2.00
326TS	All	30.57	12.0	3.75	17.7	1.875	5.25	14.14	12.5	8	16.66	1.59	0.500	2.00



Frame	C-Face							
	Poles	BA	AH	AJ	AK	BD	BF #	BF
284T	All	4.75	4.38	9	10.5	11.25	4	1/2-13" NC
286T	All	4.75	4.38	9	10.5	11.25	4	1/2-13" NC
284TS	All	4.75	3.00	9	10.5	11.25	4	1/2-13" NC
286TS	All	4.75	3.00	9	10.5	11.25	4	1/2-13" NC
324T	All	5.25	5.00	11	12.5	14.00	4	5/8-11" NC
326T	All	5.25	5.00	11	12.5	14.00	4	5/8-11" NC
324TS	All	5.25	3.50	11	12.5	14.00	4	5/8-11" NC
326TS	All	5.25	3.50	11	12.5	14.00	4	5/8-11" NC

Frame	D-Flange							
	Poles	BA	AH	AJ	AK	BD	BF #	BF
284TD	All	4.75	4.62	12.5	11	14	4	0.81
286TD	All	4.75	4.62	12.5	11	14	4	0.81
284TSD	All	4.75	3.25	12.5	11	14	4	0.81
286TSD	All	4.75	3.25	12.5	11	14	4	0.81
324TD	All	5.25	5.25	16.0	14	18	4	0.81
326TD	All	5.25	5.25	16.0	14	18	4	0.81
324TSD	All	5.25	3.75	16.0	14	18	4	0.81
326TSD	All	5.25	3.75	16.0	14	18	4	0.81

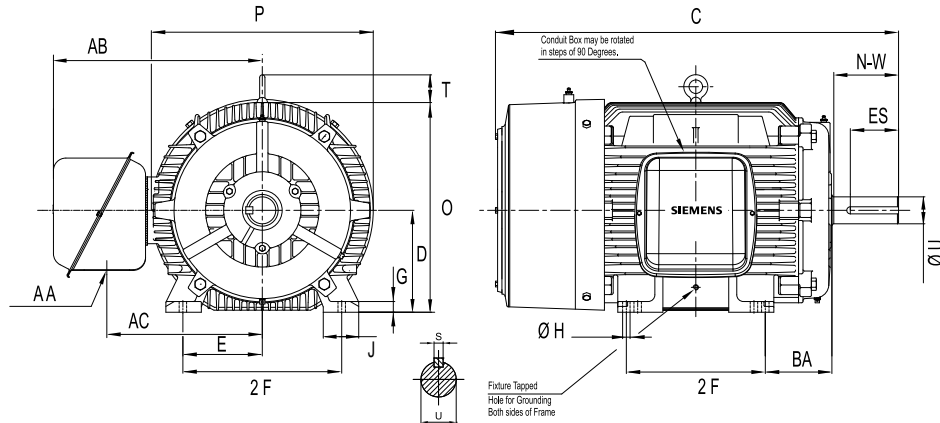
Dimensions in inches.  
Typical dimensions data, not guaranteed.

Introduction  
General Purpose Motors  
Severe Duty Motors  
Hazardous Duty Motors  
Definite Purpose Motors  
Special Features Detail  
Options Selection and Pricing  
Typical Performance Data  
General Dimensions  
Part Number Index

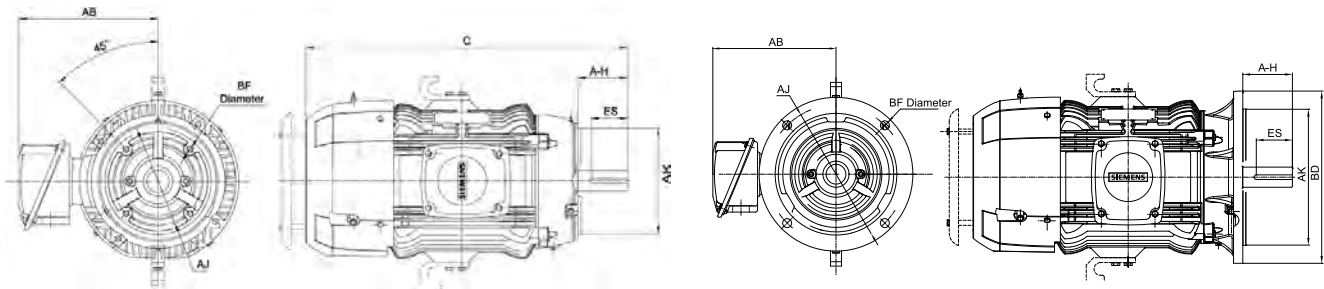
# General dimensions

## GP100

## General purpose Frames 360-400



Frame	Poles	C	2F	N-W	P	U	BA	AB	2E	D	O	Keyseat		
												R	S	ES
364T	All	35.53	11.25	5.88	19.6	2.375	5.88	17.56	14	9	18.48	2.02	0.625	4.25
365T	All	35.53	12.25	5.88	19.6	2.375	5.88	17.56	14	9	18.48	2.02	0.625	4.25
364TS	All	33.40	11.25	3.75	19.6	1.875	5.88	17.56	14	9	18.48	1.59	0.500	2.00
365TS	All	33.40	12.25	3.75	19.6	1.875	5.88	17.56	14	9	18.48	1.59	0.500	2.00
404T	All	39.50	12.25	7.25	19.6	2.875	6.62	17.68	16	10	19.60	2.45	0.750	5.63
405T	All	39.50	13.75	7.25	19.6	2.875	6.62	17.68	16	10	19.60	2.45	0.750	5.63
404TS	All	36.50	12.25	4.25	19.6	2.125	6.62	17.68	16	10	19.60	1.85	0.500	2.75
405TS	All	36.50	13.75	4.25	19.6	2.125	6.62	17.68	16	10	19.60	1.85	0.500	2.75



Frame	Poles	C-Face						
		BA	AH	AJ	AK	BD	BF #	BF
364TC	All	5.88	5.63	11	12.5	14.00	8	5/8"-11NC
365TC	All	5.88	5.63	11	12.5	14.00	8	5/8"-11NC
364TSC	All	5.88	3.50	11	12.5	14.00	8	5/8"-11NC
365TSC	All	5.88	3.50	11	12.5	14.00	8	5/8"-11NC
404TC	All	6.62	7.00	11	12.5	15.50	8	5/8"-11NC
405TC	All	6.62	7.00	11	12.5	15.50	8	5/8"-11NC
404TSC	All	6.62	4.00	11	12.5	15.50	8	5/8"-11NC
405TSC	All	6.62	4.00	11	12.5	15.50	8	5/8"-11NC

Frame	Poles	D-Flange						
		BA*	AH	AJ	AK	BD	BF #	BF
364TD	All	6.75	5.88	16	14.0	18.00	4	0.81
365TD	All	6.75	5.88	16	14.0	18.00	4	0.81
364TSD	All	6.75	3.75	16	14.0	18.00	4	0.81
365TSD	All	6.75	3.75	16	14.0	18.00	4	0.81
404TD	All	7.12	7.25	20	18.0	22.00	8	0.81
405TD	All	7.12	7.25	20	18.0	22.00	8	0.81
404TSD	All	7.12	4.25	20	18.0	22.00	8	0.81
405TSD	All	7.12	4.25	20	18.0	22.00	8	0.81

Dimensions in inches.

Typical dimensions data, not guaranteed.

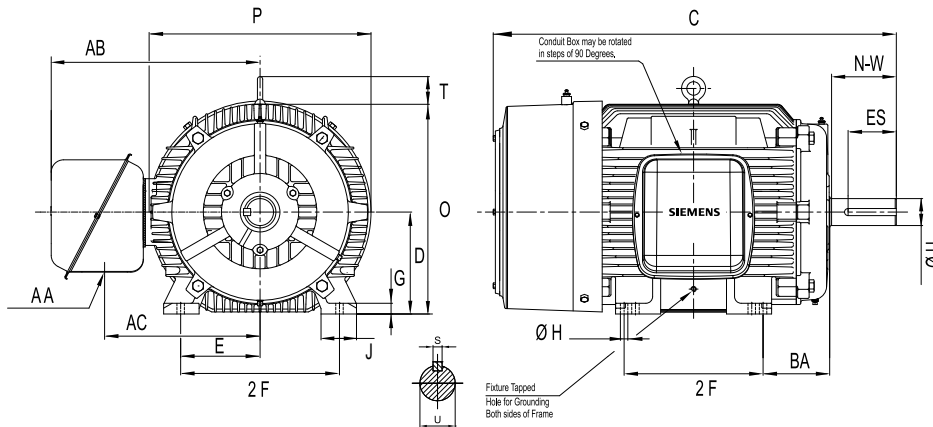
\*Not according to NEMA.



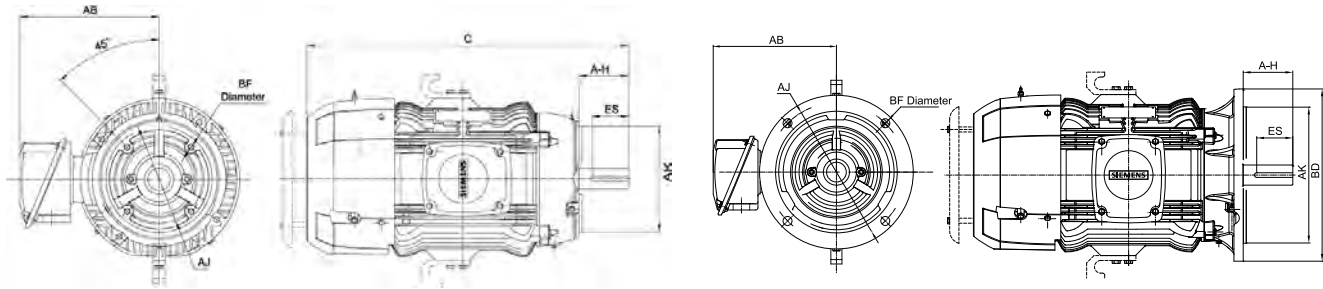
# General dimensions

## GP100

## General purpose Frames 440



Frame	Poles	C	2F	N-W	P	U	BA	AB	2E	D	O	Keyseat		
												R	S	ES
444T	All	45.60	14.5	8.50	21.8	3.375	7.5	18.88	18	11	21.8	2.88	0.875	6.88
445T	All	45.60	16.5	8.50	21.8	3.375	7.5	18.88	18	11	21.8	2.88	0.875	6.88
444TS	All	41.80	14.5	4.75	21.8	2.375	7.5	18.88	18	11	21.8	2.02	0.625	3.00
445TS	All	41.80	16.5	4.75	21.8	2.375	7.5	18.88	18	11	21.8	2.02	0.625	3.00
447T	All	49.10	20.0	8.50	21.8	3.375	7.5	18.88	18	11	21.8	2.88	0.875	6.88
447TS	All	45.40	20.0	4.75	21.8	2.375	7.5	18.88	18	11	21.8	2.02	0.625	3.00
449T	All	54.10	25.0	8.50	21.8	3.375	7.5	18.88	18	11	21.8	2.88	0.875	6.88
449TS	All	50.30	25.0	4.75	21.8	2.375	7.5	18.88	18	11	21.8	2.02	0.625	3.00



Frame	Poles	C-Face						
		BA	AH	AJ	AK	BD	BF #	BF
444TC	All	7.5	8.25	14	16	18	8	5/8"-11NC
445TC	All	7.5	8.25	14	16	18	8	5/8"-11NC
444TSC	All	7.5	4.50	14	16	18	8	5/8"-11NC
445TSC	All	7.5	4.50	14	16	18	8	5/8"-11NC
447TC	All	7.5	8.25	14	16	18	8	5/8"-11NC
447TSC	All	7.5	4.50	14	16	18	8	5/8"-11NC
449TC	All	7.5	8.25	14	16	18	8	5/8"-11NC
449TSC	All	7.5	4.50	14	16	18	8	5/8"-11NC

Frame	Poles	D-Flange						
		BA	AH	AJ	AK	BD	BF #	BF
444TD	All	7.5	8.50	20	18	22	8	0.81
445TD	All	7.5	8.50	20	18	22	8	0.81
444TSD	All	7.5	4.75	20	18	22	8	0.81
445TSD	All	7.5	4.75	20	18	22	8	0.81
447TD	All	7.5	8.50	20	18	22	8	0.81
447TSD	All	7.5	4.75	20	18	22	8	0.81
449TD	All	7.5	8.50	20	18	22	8	0.81
449TSD	All	7.5	4.75	20	18	22	8	0.81

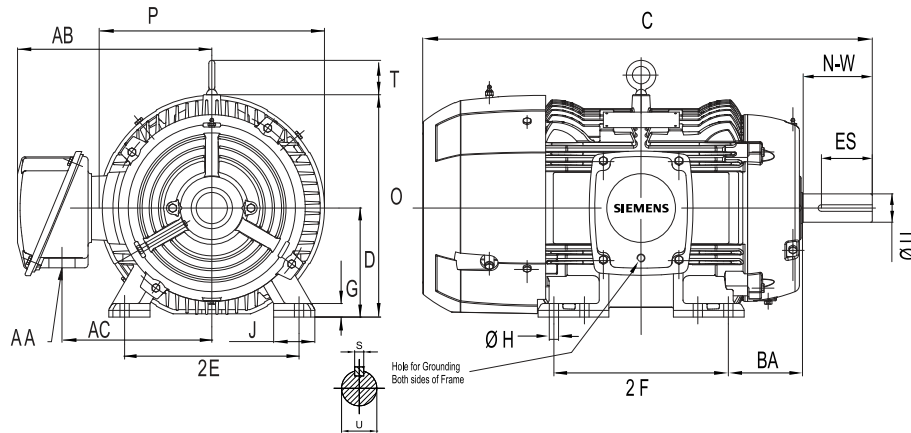
Dimensions in inches.  
Typical dimensions data, not guaranteed.

Introduction  
General Purpose Motors  
Severe Duty Motors  
Hazardous Duty Motors  
Definite Purpose Motors  
Special Features Detail  
Options Selection and Pricing  
Typical Performance Data  
General Dimensions  
Part Number Index

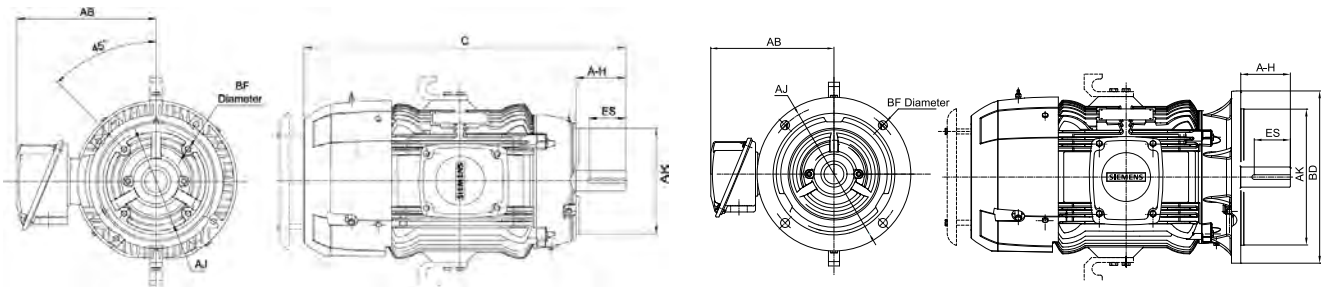
# General dimensions

## SD100

## Severe Duty Frames 140-280



Frame	Poles	C	2F	N-W	P	U	BA	AB	2E	D	O	Keyseat		
												R	S	ES
143T	All	14.2	4.00	2.25	8.2	0.875	2.250	7.40	5.5	3.50	7.50	0.771	0.188	1.41
145T	All	14.2	5.00	2.25	8.2	0.875	2.250	7.40	5.5	3.50	7.50	0.771	0.188	1.41
182T	All	16.4	4.50	2.75	9.6	1.125	2.750	8.20	7.5	4.50	11.10	0.986	0.250	1.81
184T	All	16.4	5.50	2.75	9.6	1.125	2.750	8.20	7.5	4.50	11.10	0.986	0.250	1.81
213T	All	20.2	5.50	3.38	10.7	1.375	3.500	10.39	8.5	5.25	10.66	1.201	0.312	2.44
215T	All	20.2	7.00	3.38	10.7	1.375	3.500	10.39	8.5	5.25	10.66	1.201	0.312	2.44
254T	All	25.8	8.25	4.00	12.9	1.625	4.250	11.14	10.0	6.25	12.75	1.416	0.375	2.91
256T	All	25.8	10.00	4.00	12.9	1.625	4.250	11.14	10.0	6.25	12.75	1.416	0.375	2.91
284T	4,6	29.4	9.50	4.63	15.8	1.875	4.750	14.30	11.0	7.00	14.87	0.500	1.591	3.25
286T	4,6	29.4	11.00	4.63	15.8	1.875	4.750	14.30	11.0	7.00	14.87	0.500	1.591	3.25



Frame	Poles	C-Face						
		BA*	AH	AJ	AK	BD	BF #	BF
143TC	All	2.25	2.12	5.875	4.5	6.50	4	3/8"-16NC
145TC	All	2.25	2.12	5.875	4.5	6.50	4	3/8"-16NC
182TC	All	2.75	2.62	7.250	8.5	9.00	4	1/2"-13NC
182TCH	All	2.75	2.62	5.875	4.5	6.50	4	1/2"-13NC
184TCH	All	2.75	2.62	7.250	4.5	6.50	4	1/2"-13NC
213TC	All	3.50	3.12	5.875	8.5	9.00	4	1/2"-13NC
215TC	All	3.50	3.12	7.250	8.5	9.00	4	1/2"-13NC
254TC	All	4.25	3.75	7.250	8.5	10.00	4	1/2"-13NC
256TC	All	4.25	3.75	7.250	8.5	10.00	4	1/2"-13NC

Frame	Poles	D-Flange						
		BA	AH	AJ	AK	BD	BF #	BF
143TD	All	2.25	2.00	10.0	4.5	11	4	0.53
145TD	All	2.25	2.00	10.0	9.0	11	4	0.53
182TD	All	2.75	2.50	10.0	9.0	11	4	0.53
184TD	All	2.75	2.50	10.0	9.0	11	4	0.53
213TD	All	3.50	3.13	10.0	9.0	11	4	0.53
215TD	All	3.50	3.13	10.0	9.0	11	4	0.53
254TD	All	4.25	3.75	12.5	11.0	14	4	0.81
256TD	All	4.25	3.75	12.5	11.0	14	4	0.81
284TD	4,6	4.75	4.37	12.5	11.0	14	4	0.81
286TD	4,6	4.75	4.37	12.5	11.0	14	4	0.81

Dimensions in inches.

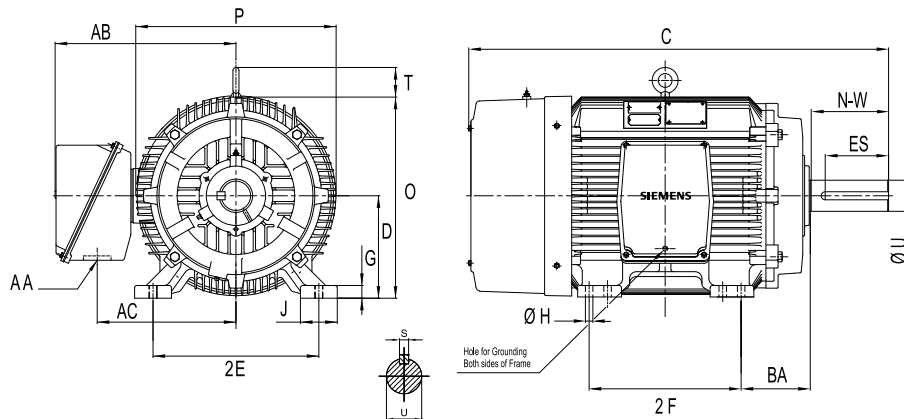
Typical dimensions data, not guaranteed.

\*Not according to NEMA.

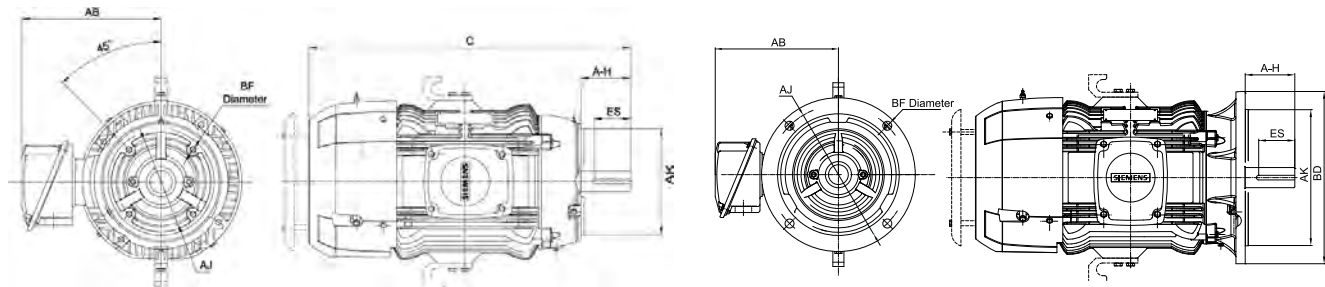
# General dimensions

## SD100

## Severe duty Frames 280-360



Frame	Poles	C	2F	N-W	P	U	BA	AB	2E	D	O	Keyseat		
												R	S	ES
284TS	2	26.0	9.50	3.25	14.4	1.625	4.750	13.39	11.0	7.0	14.27	0.375	1.416	1.88
284TS	4,6	28.0	9.50	3.25	15.8	1.625	4.750	14.33	11.0	7.0	14.87	0.375	1.416	1.88
286TS	2	27.5	11.00	3.25	14.4	1.625	4.750	13.39	11.0	7.0	14.27	0.375	1.416	1.88
286TS	4,6	28.0	11.00	3.25	15.8	1.625	4.750	14.33	11.0	7.0	14.87	0.375	1.416	1.88
324T	4,6	32.1	10.50	5.25	17.7	2.125	5.250	15.99	12.5	8.0	16.66	0.500	1.845	3.88
326T	4,6	32.1	12.00	5.25	17.7	2.125	5.250	15.99	12.5	8.0	16.66	0.500	1.845	3.88
324TS	2	30.0	10.50	3.75	15.8	1.875	5.250	15.50	12.5	8.0	15.90	0.500	1.591	2.00
324TS	4,6	30.6	10.50	3.75	17.7	1.875	5.250	15.99	12.5	8.0	16.66	0.500	1.591	2.00
326TS	2	30.0	12.00	3.75	15.8	1.875	5.250	15.50	12.5	8.0	15.90	0.500	1.591	2.00
326TS	4,6	30.6	12.00	3.75	17.7	1.875	5.250	15.99	12.5	8.0	16.66	0.500	1.591	2.00



Frame	C-Face							
	Poles	BA	AH	AJ	AK	BD	BF #	BF
284TC	4, 6	4.75	4.38	9	10.5	11.25	4	1/2"-13NC
286TC	4,6	4.75	4.38	9	10.5	11.25	4	1/2"-13NC
284TSC	2	4.75	3.00	9	10.5	11.25	4	1/2"-13NC
284TSC	4,6	4.75	3.00	9	10.5	11.25	4	1/2"-13NC
286TSC	2	4.75	3.00	9	10.5	11.25	4	1/2"-13NC
286TSC	4, 6	4.75	3.00	9	10.5	11.25	4	1/2"-13NC
324TC	4, 6	5.25	5.00	11	12.5	14.00	4	5/8"-11NC
326TC	4,6	5.25	5.00	11	12.5	14.00	4	5/8"-11NC
324TSC	2	5.25	3.50	11	12.5	14.00	4	5/8"-11NC
324TSC	4,6	5.25	3.50	11	12.5	14.00	4	5/8"-11NC

Frame	D-Flange							
	Poles	BA	AH	AJ	AK	BD	BF #	BF
284TSD	2	4.75	4.38	12.5	11.0	14.0	4	0.81
284TSD	4,6	4.75	4.38	12.5	11.0	14.0	4	0.81
286TSD	2	4.75	3.00	12.5	11.0	14.0	4	0.81
286TSD	4,6	4.75	3.00	12.5	11.0	14.0	4	0.81
324TD	4,6	5.25	5.00	16.0	14.0	18.0	4	0.81
326TD	4,6	5.25	5.00	16.0	14.0	18.0	4	0.81
324TSD	2	5.25	5.00	16.0	14.0	18.0	4	0.81
324TSD	4,6	5.25	5.00	16.0	14.0	18.0	4	0.81
326TSD	2	5.25	3.50	16.0	14.0	18.0	4	0.81
326TSD	4,6	5.25	3.50	16.0	14.0	18.0	4	0.81

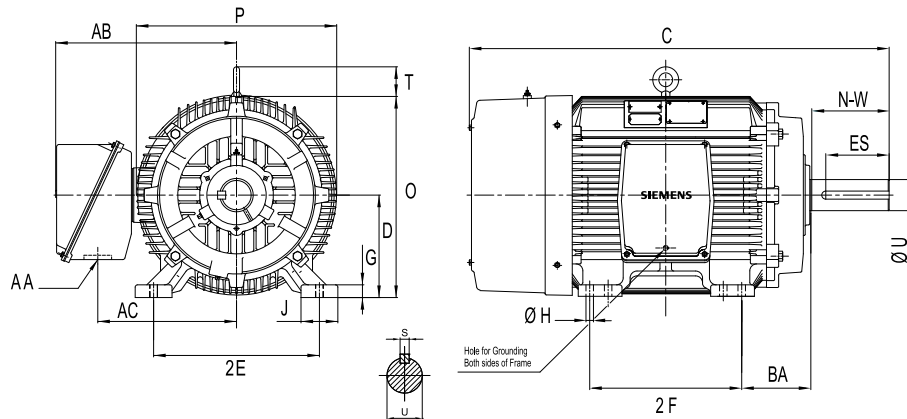
Dimensions in inches.  
Typical dimensions data, not guaranteed.

Introduction  
 General Purpose Motors  
 Severe Duty Motors  
 Hazardous Duty Motors  
 Definite Purpose Motors  
 Special Features Detail  
 Options Selection and Pricing  
 Typical Performance Data  
 General Dimensions  
 Part Number Index

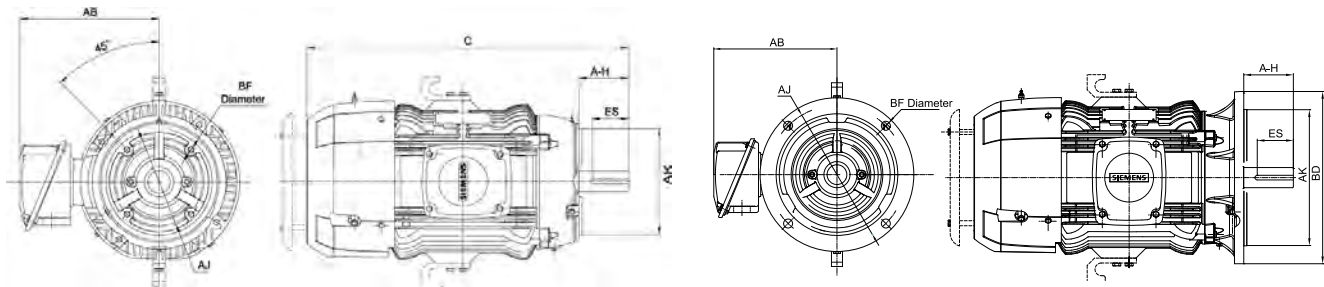
# General dimensions

## SD100

## Severe Duty Frames 360-400



Frame	Poles	C	2F	N-W	P	U	BA	AB	2E	D	O	Keyseat		
												R	S	ES
364T	4,6	35.5	11.25	5.88	19.6	2.375	5.880	18.57	14.0	9.0	18.48	2.021	0.625	4.25
365T	4,6	35.5	12.25	5.88	19.6	2.375	5.880	18.57	14.0	9.0	18.48	2.021	0.625	4.25
364TS	2	32.1	11.25	3.75	17.7	1.875	5.880	17.94	14.0	9.0	17.81	1.591	0.500	2.00
364TS	4,6	33.4	11.25	3.75	19.6	1.875	5.880	18.57	14.0	9.0	18.48	1.591	0.500	2.00
365TS	2	32.1	12.25	3.75	17.7	1.875	5.880	17.94	14.0	9.0	17.81	1.591	0.500	2.00
365TS	4,6	33.4	12.25	3.75	19.6	1.875	5.880	18.57	14.0	9.0	18.48	1.591	0.500	2.00
404T	All	39.4	12.25	7.25	19.6	2.875	6.620	18.38	16.0	10.0	19.60	2.450	0.750	5.63
405T	All	39.4	13.75	7.25	19.6	2.875	6.620	18.38	16.0	10.0	19.60	2.450	0.750	5.63
404TS	All	36.4	12.25	4.25	19.6	2.125	6.620	18.38	16.0	10.0	19.60	1.845	0.500	2.75
405TS	All	36.4	13.75	4.25	19.6	2.125	6.620	18.38	16.0	10.0	19.60	1.845	0.500	2.75



Frame	Poles	C-Face						
		BA	AH	AJ	AK	BD	BF #	BF
326TSC	2	5.25	3.50	11	12.5	14.00	4	5/8"-11NC
326TSC	4,6	5.25	3.50	11	12.5	14.00	4	5/8"-11NC
364TC	4,6	5.88	5.63	11	12.5	12.75	8	5/8"-11NC
365TC	4,6	5.88	5.63	11	12.5	12.75	8	5/8"-11NC
364TSC	2	5.88	3.50	11	12.5	14.00	8	5/8"-11NC
364TSC	4,6	5.88	3.50	11	12.5	12.75	8	5/8"-11NC
365TSC	2	5.88	3.50	11	12.5	14.00	8	5/8"-11NC
365TSC	4,6	5.88	3.50	11	12.5	12.75	8	5/8"-11NC
404TC	All	6.62	7.00	11	12.5	15.50	8	5/8"-11NC
405TC	All	6.62	7.00	11	12.5	15.50	8	5/8"-11NC
404TSC	All	6.62	4.00	11	12.5	15.50	8	5/8"-11NC

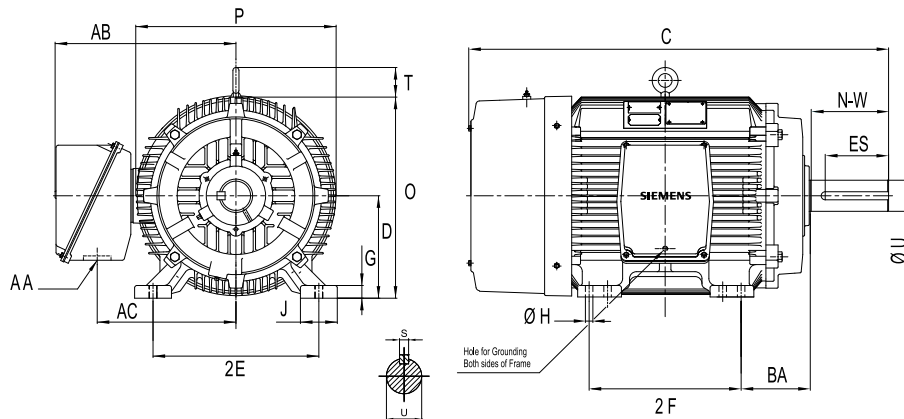
Frame	Poles	D-Flange						
		BA	AH	AJ	AK	BD	BF #	BF
364TD	4,6	5.88	5.63	16	14.0	18.00	4	0.81
365TD	4,6	5.88	5.63	16	14.0	18.00	4	0.81
364TSD	2	5.88	3.50	16	14.0	18.00	4	0.81
364TSD	4,6	5.88	3.50	16	14.0	18.00	4	0.81
365TSD	2	5.88	3.50	16	14.0	18.00	4	0.81
365TSD	4,6	5.88	3.50	16	14.0	18.00	4	0.81
404TD	All	6.62	7.00	20	18.0	22.00	8	0.81
405TD	All	6.62	7.00	20	18.0	22.00	8	0.81
404TSD	All	6.62	4.00	20	18.0	22.00	8	0.81
405TSD	All	6.62	4.00	20	18.0	22.00	8	0.81

Dimensions in inches.  
Typical dimensions data, not guaranteed.

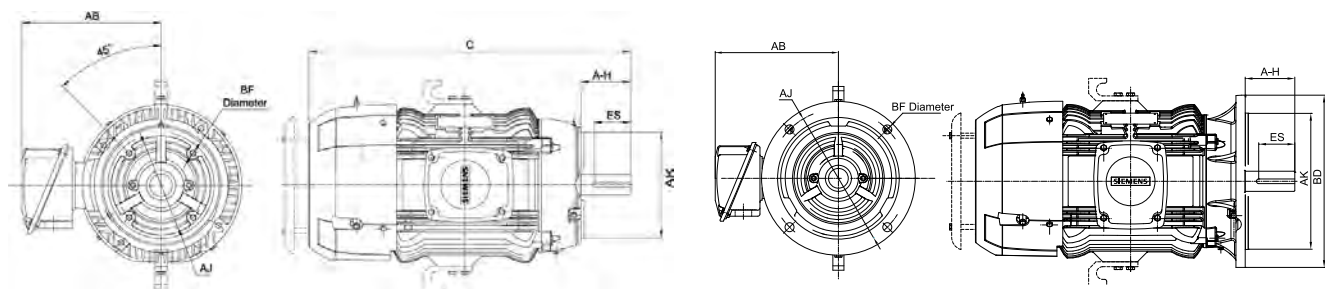
# General dimensions

## SD100

## Severe duty Frames 400-S440



Frame	Poles	C	2F	N-W	P	U	BA	AB	2E	D	O	Keyseat		
												R	S	ES
444T	All	45.6	14.50	8.50	21.8	3.375	7.500	19.63	18.0	11.0	21.80	2.880	0.875	6.88
445T	All	45.6	16.50	8.50	21.8	3.375	7.500	19.63	18.0	11.0	21.80	2.880	0.875	6.88
444TS	All	41.8	14.50	4.75	21.8	2.375	7.500	19.63	18.0	11.0	21.80	2.021	0.625	3.05
445TS	All	41.8	16.50	4.75	21.8	2.375	7.500	19.63	18.0	11.0	21.80	2.021	0.625	3.05
447T	All	49.0	20.00	8.50	21.8	3.375	7.500	19.63	18.0	11.0	22.00	2.880	0.875	6.88
447TS	All	45.3	20.00	4.75	21.8	2.375	7.500	19.63	18.0	11.0	22.00	2.021	0.625	3.05
449T	All	54.0	25.00	8.50	21.8	3.375	7.500	22.00	18.0	11.0	22.00	2.880	0.875	6.88
449TS	All	50.3	25.00	4.75	21.8	2.375	7.500	22.00	18.0	11.0	22.00	2.021	0.625	3.05
S449LS	All	63.6	25.00	9.12	24.6	3.625	7.500	23.00	18.0	11.0	23.30	3.134	0.875	7.50
S449SS	All	59.8	25.00	5.25	24.6	2.625	7.500	23.00	18.0	11.0	23.30	2.275	0.625	3.50
S449SS	2 <sup>1)</sup>	63.2	25.00	5.25	24.6	2.625	7.500	23.00	18.0	11.0	23.30	2.275	0.625	3.50



Frame	Poles	C-Face						
		BA	AH	AJ	AK	BD	BF #	BF
405TSC	All	6.62	4.00	11	12.5	15.50	8	5/8"-11NC
444TC	All	7.50	8.25	14	16.0	18.00	8	5/8"-11NC
445TC	All	7.50	8.25	14	16.0	18.00	8	5/8"-11NC
444TSC	All	7.50	4.50	14	16.0	18.00	8	5/8"-11NC
445TSC	All	7.50	4.50	14	16.0	18.00	8	5/8"-11NC
447TC	All	7.50	8.25	14	16.0	18.00	8	5/8"-11NC
447TSC	All	7.50	4.50	14	16.0	18.00	8	5/8"-11NC
449TC	All	7.50	8.25	14	16.0	18.00	8	5/8"-11NC
449TSC	All	7.50	4.50	14	16.0	18.00	8	5/8"-11NC
S449LSC	All	7.50	8.25	14	16.0	18.00	8	5/8"-11NC
S449SSC	All	7.50	4.50	14	16.0	18.00	8	5/8"-11NC

Frame	Poles	D-Flange						
		BA	AH	AJ	AK	BD	BF #	BF
444TD	All	7.5	8.50	20	18.0	22.0	8	0.81
445TD	All	7.5	8.50	20	18.0	22.0	8	0.81
444TSD	All	7.5	4.75	20	18.0	22.0	8	0.81
445TSD	All	7.5	4.75	20	18.0	22.0	8	0.81
447TD	All	7.5	8.50	20	18.0	22.0	8	0.81
447TSD	All	7.5	4.75	20	18.0	22.0	8	0.81
449TD	All	7.5	8.50	20	18.0	22.0	8	0.81
449TSD	All	7.5	4.75	20	18.0	22.0	8	0.81
S449LSD	All	7.5	8.50	20	18.0	22.0	8	0.81
S449SSD	All	7.5	4.75	20	18.0	22.0	8	0.81

1) Only for 400HP  
Dimensions in inches.

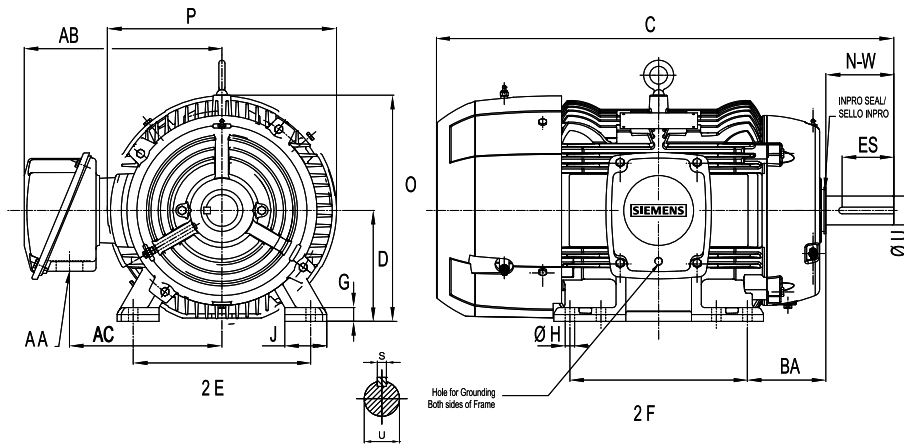
Typical dimensions data, not guaranteed.

Introduction  
General Purpose Motors  
Severe Duty Motors  
Hazardous Duty Motors  
Definite Purpose Motors  
Special Features Detail  
Options Selection and Pricing  
Typical Performance Data  
General Dimensions  
Part Number Index

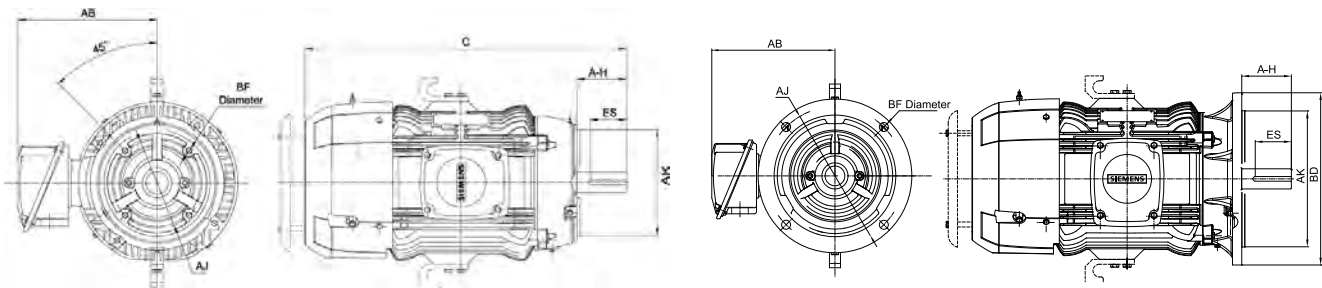
# General dimensions

## SD100 IEEE841

## Severe duty Frames 140-250



Frame	Poles	C	2F	N-W	P	U	BA	AB	2E	D	O	Keyseat		
												R	S	ES
143T	2,4,6,8	14.0	4.00	1.77	8.1	0.875	2.73	7.050	5.5	3.50	7.42	0.771	0.188	1.41
145T	2,4,6,8	14.0	5.00	1.77	8.1	0.875	2.73	7.050	5.5	3.50	7.42	0.771	0.188	1.41
182T	2,8	14.8	4.50	2.46	9.0	1.125	3.03	8.000	7.5	4.50	9.00	0.986	0.250	1.78
182T	4,6	16.2	4.50	2.46	10.8	1.125	3.03	8.580	7.5	4.50	9.74	0.986	0.250	1.78
184T	2,8	15.9	5.50	2.46	9.0	1.125	3.03	8.000	7.5	4.50	9.00	0.986	0.250	1.78
184T	4,6	16.2	5.50	2.46	10.8	1.125	3.03	8.580	7.5	4.50	9.74	0.986	0.250	1.78
213T	2,8	18.2	5.50	2.88	10.6	1.375	4.00	9.400	8.5	5.25	10.43	1.201	0.312	2.41
213T	4,6	20.3	5.50	2.85	12.2	1.375	4.03	10.630	8.5	5.25	11.35	1.201	0.312	2.41
215T	2,8	19.7	7.00	2.88	10.6	1.375	4.00	9.400	8.5	5.25	10.43	1.201	0.312	2.41
215T	4,6	20.3	7.00	2.85	12.2	1.375	4.03	10.630	8.5	5.25	11.35	1.201	0.312	2.41
254T	2,8	23.2	8.25	3.55	12.7	1.625	4.70	10.650	10.0	6.25	12.33	1.416	0.375	2.91



Frame	Poles	C-Face						
		BA*	AH	AJ	AK	BD	BF #	BF
143TC	2,4,6	2.38	2.12	5.875	4.5	6.50	4	3/8"-16NC
145TC	2,4,6	2.38	2.12	5.875	4.5	6.50	4	3/8"-16NC
182TC	2	2.87	2.62	7.250	8.5	9.00	4	1/2"-13NC
182TC	4,6	2.87	2.62	7.250	8.5	9.00	4	1/2"-13NC
182TCH	2	2.87	2.62	5.875	4.5	6.50	4	1/2"-13NC
182TCH	4,6	2.87	2.62	5.875	4.5	6.50	4	1/2"-13NC
184TC	2	2.87	2.62	7.250	8.5	9.00	4	1/2"-13NC
184TC	4,6	2.87	2.62	7.250	8.5	9.00	4	1/2"-13NC
184TCH	2	2.87	2.62	5.875	4.5	6.50	4	1/2"-13NC
184TCH	4,6	2.87	2.62	5.875	4.5	6.50	4	1/2"-13NC
213TC	2	3.72	3.12	7.250	8.5	9.00	4	1/2"-13NC
213TC	4,6	3.72	3.12	7.250	8.5	9.00	4	1/2"-13NC

Frame	Poles	D-Flange						
		BA*	AH	AJ	AK	BD	BF #	BF
143TD	2,4,6	2.38	2.25	10.0	9.0	11.0	4	0.53
145TD	2,4,6	2.38	2.25	10.0	9.0	11.0	4	0.53
182TD	2	2.87	2.75	10.0	9.0	11.0	4	0.53
182TD	4,6	2.87	2.75	10.0	9.0	11.0	4	0.53
184TD	2	2.87	2.75	10.0	9.0	11.0	4	0.53
184TD	4,6	2.87	2.75	10.0	9.0	11.0	4	0.53
213TD	2	3.72	3.32	10.0	9.0	11.0	4	0.53
213TD	4,6	3.72	3.32	10.0	9.0	11.0	4	0.53
215TD	2	3.72	3.32	10.0	9.0	11.0	4	0.53
215TD	4,6	3.72	3.32	10.0	9.0	11.0	4	0.53
254TD	2	4.42	4.00	12.5	11.0	14.0	4	0.81

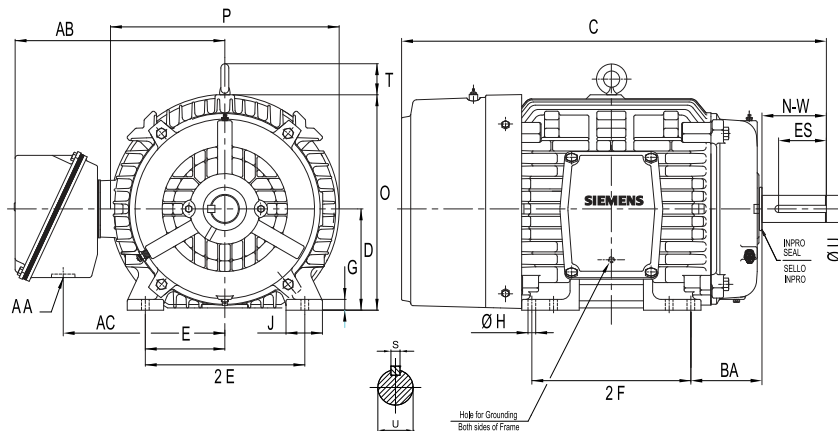
Dimensions in inches.  
Typical dimensions data, not guaranteed.

\*Not according to NEMA.

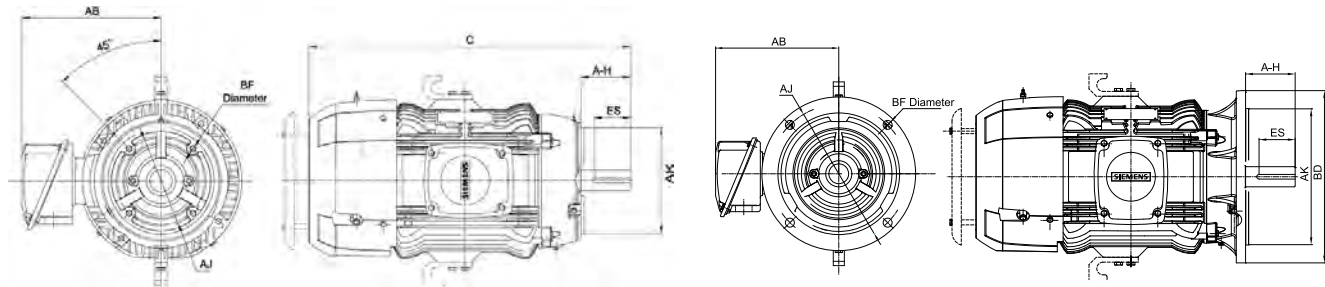
# General dimensions

## SD100 IEEE841

## Severe duty Frames 250-280



Frame	Poles	C	2F	N-W	P	U	BA	AB	2E	D	O	Keyseat		
												R	S	ES
254T	4,6	25.8	8.25	3.47	14.4	1.625	4.78	11.620	10.0	6.25	13.34	1.416	0.375	2.91
256T	2,8	24.9	10.00	3.55	12.7	1.625	4.70	10.650	10.0	6.25	12.33	1.416	0.375	2.91
256T	4,6	25.8	10.00	3.47	14.4	1.625	4.78	11.620	10.0	6.25	13.34	1.416	0.375	2.91
284T	8	27.4	9.50	4.17	14.4	1.875	5.20	13.390	11.0	7.00	14.27	1.591	0.500	3.25
284T	4,6	29.4	9.50	4.09	15.8	1.875	5.29	14.300	11.0	7.00	14.87	1.591	0.500	3.25
286T	8	28.9	11.00	4.17	14.4	1.875	5.20	13.390	11.0	7.00	14.27	1.591	0.500	3.25
286T	4,6	29.4	11.00	4.09	15.8	1.875	5.29	14.300	11.0	7.00	14.87	1.591	0.500	3.25
284TS	2,8	26.0	9.50	2.80	14.4	1.625	5.20	13.390	11.0	7.00	14.27	1.416	0.375	1.88
284TS	4,6	28.0	9.50	2.72	15.8	1.625	5.28	14.330	11.0	7.00	14.87	1.416	0.375	1.88
286TS	2,8	27.5	11.00	2.80	14.4	1.625	5.20	13.390	11.0	7.00	14.27	1.416	0.375	1.88
286TS	4,6	28.0	11.00	2.72	15.8	1.625	5.28	14.330	11.0	7.00	14.87	1.416	0.375	1.88



Frame	C-Face							
	Poles	BA*	AH	AJ	AK	BD	BF #	BF
215TC	2	3.72	3.12	7.25	8.5	9.00	4	1/2"-13NC
215TC	4,6	3.72	3.12	7.25	8.5	9.00	4	1/2"-13NC
254TC	2	4.42	3.75	7.25	8.5	10.00	4	1/2"-13NC
254TC	4,6	4.42	3.75	7.25	8.5	10.00	4	1/2"-13NC
256TC	2	4.42	3.75	7.25	8.5	10.00	4	1/2"-13NC
256TC	4,6	4.42	3.75	7.25	8.5	10.00	4	1/2"-13NC
284TC	4,6	5.29	4.38	9.00	10.5	11.25	4	1/2"-13NC
284TC	4,6	5.29	4.38	9.00	10.5	11.25	4	1/2"-13NC
286TC	4,6	5.29	4.38	9.00	10.5	11.25	4	1/2"-13NC
286TC	4,6	5.29	4.38	9.00	10.5	11.25	4	1/2"-13NC
284TSC	2	5.29	3.00	9.00	10.5	11.25	4	1/2"-13NC
284TSC	4,6	5.29	3.00	9.00	10.5	11.25	4	1/2"-13NC

Frame	D-Flange							
	Poles	BA*	AH	AJ	AK	BD	BF #	BF
254TD	4,6	4.42	4.00	12.5	11.0	14.0	4	0.81
256TD	2	4.42	4.00	12.5	11.0	14.0	4	0.81
256TD	4,6	4.42	4.00	12.5	11.0	14.0	4	0.81
284TD	4,6	5.29	4.62	12.5	11.0	14.0	4	0.81
284TD	4,6	5.29	4.62	12.5	11.0	14.0	4	0.81
286TD	4,6	5.29	4.62	12.5	11.0	14.0	4	0.81
286TD	4,6	5.29	4.62	12.5	11.0	14.0	4	0.81
284TSD	2	5.29	3.25	12.5	11.0	14.0	4	0.81
284TSD	4,6	5.29	3.25	12.5	11.0	14.0	4	0.81
286TSD	2	5.29	3.25	12.5	11.0	14.0	4	0.81
286TSD	4,6	5.29	3.25	12.5	11.0	14.0	4	0.81

Dimensions in inches.  
Typical dimensions data, not guaranteed.

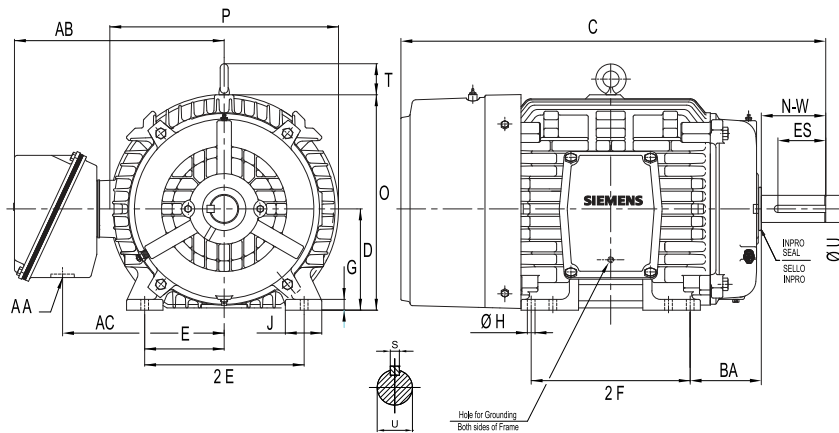
\*Not according to NEMA.

Introduction  
 General Purpose Motors  
 Severe Duty Motors  
 Hazardous Duty Motors  
 Definite Purpose Motors  
 Special Features Detail  
 Options Selection and Pricing  
 Typical Performance Data  
 General Dimensions  
 Part Number Index

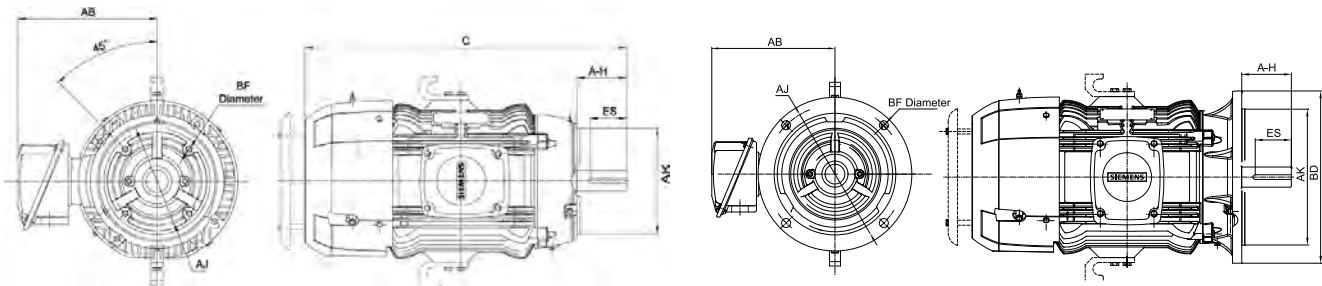
# General dimensions

## SD100 IEEE841

## Severe duty Frames 280-360



Frame	Poles	C	2F	N-W	P	U	BA	AB	2E	Keyseat				
										D	O	R	S	ES
324T	8	31.5	10.50	4.75	15.8	2.125	5.75	15.500	12.5	8.0	15.90	1.845	0.500	3.88
324T	4,6	32.1	10.50	4.69	17.7	2.125	5.80	15.990	12.5	8.0	16.66	1.845	0.500	3.88
326T	8	31.5	12.00	4.75	15.8	2.125	5.75	15.500	12.5	8.0	15.90	1.845	0.500	3.88
326T	4,6	32.1	12.00	4.69	17.7	2.125	5.80	15.990	12.5	8.0	16.66	1.845	0.500	3.88
324TS	2	30.0	10.50	3.25	15.8	1.875	5.75	15.500	12.5	8.0	15.90	1.591	0.500	2.00
324TS	4,6	30.6	10.50	3.25	17.7	1.875	5.75	15.990	12.5	8.0	16.66	1.591	0.500	2.00
326TS	2	30.0	12.00	3.25	15.8	1.875	5.75	15.500	12.5	8.0	15.90	1.591	0.500	2.00
326TS	4,6	30.6	12.00	3.25	17.7	1.875	5.75	15.990	12.5	8.0	16.66	1.591	0.500	2.00
364T	8	34.2	11.25	5.44	17.7	2.375	6.31	17.940	14.0	9.0	17.81	2.021	0.625	4.25
364T	4,6	35.5	11.25	5.40	19.6	2.375	6.35	18.570	14.0	9.0	18.48	2.021	0.625	4.25
365T	8	34.2	12.25	5.44	17.7	2.375	6.31	17.940	14.0	9.0	17.81	2.021	0.625	4.25



Frame	Pole	C-Face						
		BA*	AH	AJ	AK	BD	BF #	BF
286TSC	2	5.29	3.00	9	10.5	11.25	4	1/2"-13NC
286TSC	4,6	5.29	3.00	9	10.5	11.25	4	1/2"-13NC
324TC	4,6	5.8	5.00	11	12.5	14.00	4	5/8"-11NC
324TC	4,6	5.8	5.00	11	12.5	14.00	4	5/8"-11NC
326TC	4,6	5.8	5.00	11	12.5	14.00	4	5/8"-11NC
326TC	4,6	5.8	5.00	11	12.5	14.00	4	5/8"-11NC
324TSC	2	5.75	3.50	11	12.5	14.00	4	5/8"-11NC
324TSC	4,6	5.75	3.50	11	12.5	14.00	4	5/8"-11NC
326TSC	2	5.75	3.50	11	12.5	14.00	4	5/8"-11NC
326TSC	4,6	5.75	3.50	11	12.5	14.00	4	5/8"-11NC
364TC	4,6	6.35	5.63	11	12.5	12.75	8	5/8"-11NC
365T	4,6	6.35	5.63	11	12.5	12.75	8	5/8"-11NC

Frame	Poles	D-Flange						
		BA*	AH	AJ	AK	BD	BF #	BF
324TD	4,6	6.25	5.25	16	14.0	18.0	4	0.81
324TD	4,6	6.25	5.25	16	14.0	18.0	4	0.81
326TD	4,6	6.25	5.25	16	14.0	18.0	4	0.81
326TD	4,6	6.25	5.25	16	14.0	18.0	4	0.81
324TSD	2	6.25	3.75	16	14.0	18.0	4	0.81
324TSD	4,6	6.25	3.75	16	14.0	18.0	4	0.81
326TSD	2	6.25	3.75	16	14.0	18.0	4	0.81
326TSD	4,6	6.25	3.75	16	14.0	18.0	4	0.81
364TD	8	6.75	5.88	16	14.0	18.0	4	0.81
364TD	4,6	6.75	5.88	16	14.0	18.0	4	0.81
365TD	4,6	6.75	5.88	16	14.0	18.0	4	0.81

Dimensions in inches.  
Typical dimensions data, not guaranteed.

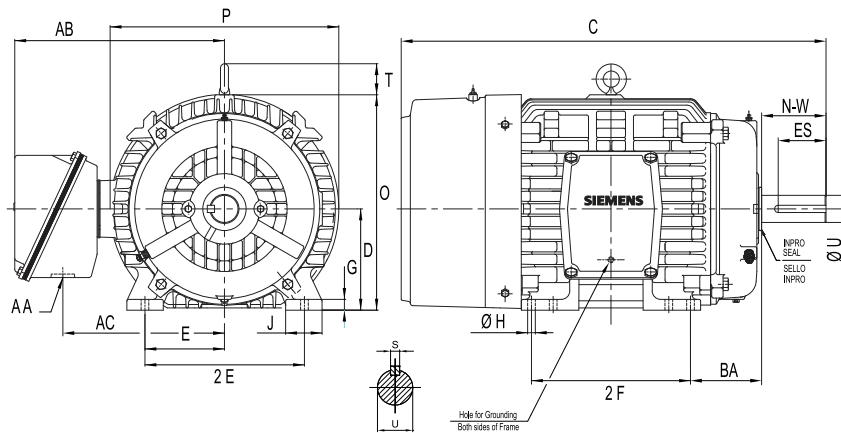
\*Not according to NEMA.



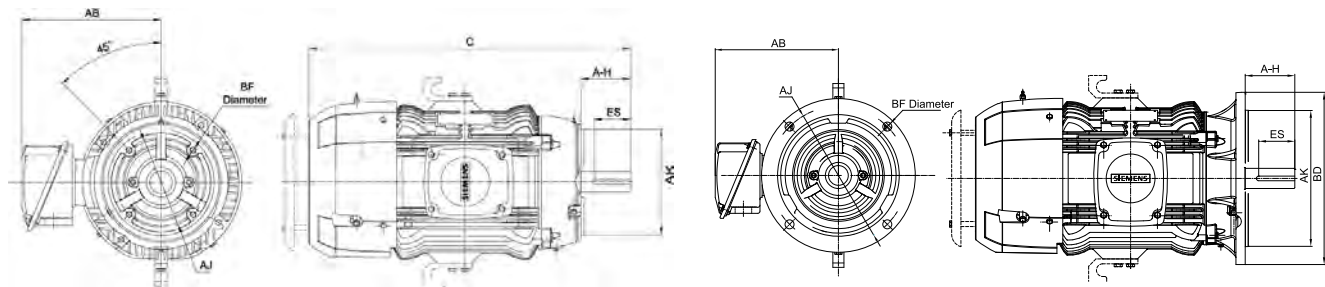
# General dimensions

## SD100 IEEE841

# Severe duty Frames 360-440



Frame	Poles	C	2F	N-W	P	U	BA	AB	2E	D	O	Keyseat		
												R	S	ES
365T	4,6	35.5	12.25	5.40	19.6	2.375	6.35	18.570	14.0	9.0	18.48	2.021	0.625	4.25
364TS	2	32.1	11.25	3.31	17.7	1.875	6.31	17.940	14.0	9.0	17.81	1.591	0.500	2.00
364TS	4,6	33.4	11.25	3.28	19.6	1.875	6.35	18.570	14.0	9.0	18.48	1.591	0.500	2.00
365TS	2	32.1	12.25	3.31	17.7	1.875	6.31	17.940	14.0	9.0	17.81	1.591	0.500	2.00
365TS	4,6	33.4	12.25	3.28	19.6	1.875	6.35	18.570	14.0	9.0	18.48	1.591	0.500	2.00
404T	All	39.4	12.25	6.78	19.6	2.875	7.10	18.380	16.0	10.0	19.60	2.450	0.750	5.63
405T	All	39.4	13.75	6.78	19.6	2.875	7.10	18.380	16.0	10.0	19.60	2.450	0.750	5.63
404TS	All	36.4	12.25	3.50	19.6	2.125	7.38	18.380	16.0	10.0	19.60	1.845	0.500	2.75
405TS	All	36.4	13.75	3.50	19.6	2.125	7.38	18.380	16.0	10.0	19.60	1.845	0.500	2.75
444T	All	45.6	14.50	8.10	21.8	3.375	7.90	19.630	18.0	11.0	21.80	2.880	0.875	6.88
445T	All	45.6	16.50	8.10	21.8	3.375	7.90	19.630	18.0	11.0	21.80	2.880	0.875	6.88



Frame	Poles	C-Face						
		BA*	AH	AJ	AK	BD	BF #	BF
365TC	4,6	6.35	5.63	11	12.5	12.75	8	5/8"-11NC
365TC	4,6	6.35	5.63	11	12.5	12.75	8	5/8"-11NC
364TSC	2	6.31	3.50	11	12.5	14.00	8	5/8"-11NC
364TSC	4,6	6.35	3.50	11	12.5	12.75	8	5/8"-11NC
365TSC	2	6.31	3.50	11	12.5	14.00	8	5/8"-11NC
365TSC	4,6	6.35	3.50	11	12.5	12.75	8	5/8"-11NC
404TC	All	7.10	7.00	11	12.5	15.50	8	5/8"-11NC
405TC	All	7.10	7.00	11	12.5	15.50	8	5/8"-11NC
404TSC	All	7.38	4.00	11	12.5	15.50	8	5/8"-11NC
405TSC	All	7.38	4.00	11	12.5	15.50	8	5/8"-11NC
444TC	All	7.90	8.25	14	16.0	18.00	8	5/8"-11NC
445TC	All	7.90	8.25	14	16.0	18.00	8	5/8"-11NC

Frame	Poles	D-Flange						
		BA*	AH	AJ	AK	BD	BF #	BF
365TD	4,6	6.75	5.88	16	14.0	18.0	4	0.81
364TSD	2	6.75	3.75	16	14.0	18.0	4	0.81
364TSD	4,6	6.75	3.75	16	14.0	18.0	4	0.81
365TSD	2	6.75	3.75	16	14.0	18.0	4	0.81
365TSD	4,6	6.75	3.75	16	14.0	18.0	4	0.81
404TD	All	7.07	7.25	20	18.0	22.0	8	0.81
405TD	All	7.07	7.25	20	18.0	22.0	8	0.81
404TSD	All	7.38	4.25	20	18.0	22.0	8	0.81
405TSD	All	7.38	4.25	20	18.0	22.0	8	0.81
444TD	All	8.38	8.50	20	18.0	22.0	8	0.81
445TD	All	8.38	8.50	20	18.0	22.0	8	0.81

Dimensions in inches.  
Typical dimensions data, not guaranteed.

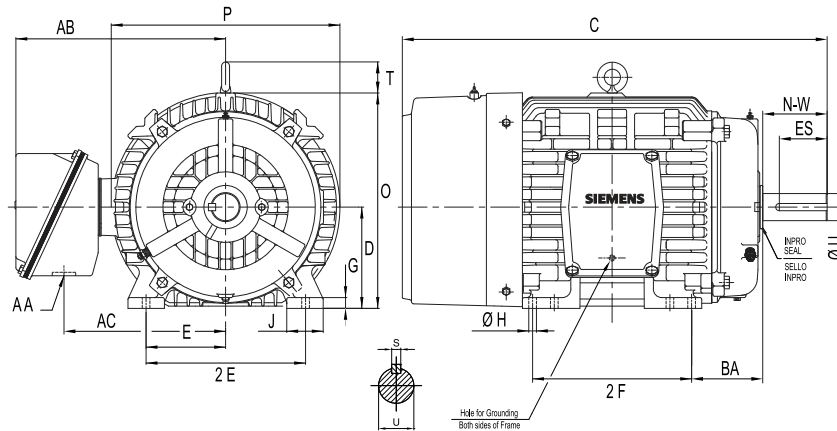
\*Not according to NEMA.

Introduction  
 General Purpose Motors  
 Severe Duty Motors  
 Hazardous Duty Motors  
 Definite Purpose Motors  
 Special Features Detail  
 Options Selection and Pricing  
 Typical Performance Data  
 General Dimensions  
 Part Number Index

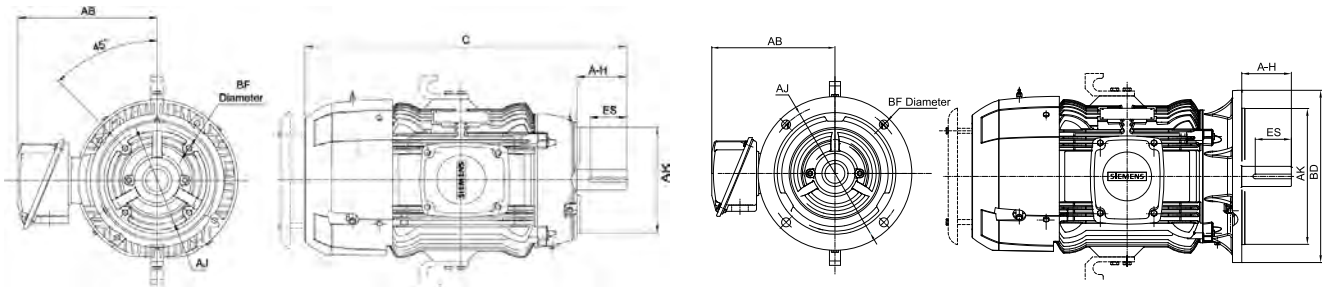
# General dimensions

## SD100 IEEE841

## Severe duty Frames 440-S440



Frame	Poles	C	2F	N-W	P	U	BA	AB	2E	D	O	Keyseat		
												R	S	ES
444TS		41.8	14.50	4.00	21.8	2.375	8.25	19.630	18.0	11.0	21.80	2.021	0.625	3.05
445TS		41.8	16.50	4.00	21.8	2.375	8.25	19.630	18.0	11.0	21.80	2.021	0.625	3.05
447T		49.0	20.00	8.03	21.8	3.375	7.96	19.630	18.0	11.0	22.00	2.880	0.875	6.88
447TS		45.3	20.00	4.00	21.8	2.375	8.25	19.630	18.0	11.0	22.00	2.021	0.625	3.05
449T		54.0	25.00	8.03	21.8	3.375	7.96	22.000	18.0	11.0	22.00	2.880	0.875	6.88
449TS		50.3	25.00	4.00	21.8	2.375	8.25	22.000	18.0	11.0	22.00	2.021	0.625	3.05
S449LS		63.6	25.00	8.67	24.6	3.625	7.95	23.000	18.0	11.0	23.30	3.134	0.875	7.50
S449LS	4 1)	66.7	25.00	8.67	24.6	3.625	7.95	23.000	18.0	11.0	23.30	3.134	0.875	7.50
S449SS		59.8	25.00	4.59	24.6	2.625	8.16	23.000	18.0	11.0	23.30	2.275	0.625	3.50
S449SS	2 1)	63.2	25.00	4.59	24.6	2.625	8.16	23.000	18.0	11.0	23.30	2.275	0.625	3.50



Frame	Poles	C-Face						
		BA*	AH	AJ	AK	BD	BF #	BF
444TSC		8.25	4.50	14	16.0	18.0	8	5/8"-11NC
445TSC		8.25	4.50	14	16.0	18.0	8	5/8"-11NC
447TC		7.96	8.25	14	16.0	18.0	8	5/8"-11NC
447TSC		8.25	4.50	14	16.0	18.0	8	5/8"-11NC
449TC		7.96	8.25	14	16.0	18.0	8	5/8"-11NC
449TSC		8.25	4.50	14	16.0	18.0	8	5/8"-11NC
S449LS		7.95	8.25	14	16.0	18.0	8	5/8"-11NC
S449LS	4 2)	7.95	8.25	14	16.0	18.0	8	5/8"-11NC
S449SS		8.16	4.50	14	16.0	18.0	8	5/8"-11NC
S449SS	2 1)	8.16	4.50	14	16.0	18.0	8	5/8"-11NC

Frame	Poles	D-Flange						
		BA*	AH	AJ	AK	BD	BF #	BF
444TSD		8.38	4.75	20	18.0	22.0	8	0.81
445TSD		8.38	4.75	20	18.0	22.0	8	0.81
447TD		8.38	8.5	20	18.0	22.0	8	0.81
447TSD		8.38	4.75	20	18.0	22.0	8	0.81
449TD		8.38	8.5	20	18.0	22.0	8	0.81
449TSD		8.38	4.75	20	18.0	22.0	8	0.81
S449LS		7.95	7.95	20	18.0	22.0	8	0.81
S449LS	2 1)	7.95	7.95	20	18.0	22.0	8	0.81
S449SS		8.16	8.16	20	18.0	22.0	8	0.81
S449SS	4 2)	8.16	8.16	20	18.0	22.0	8	0.81

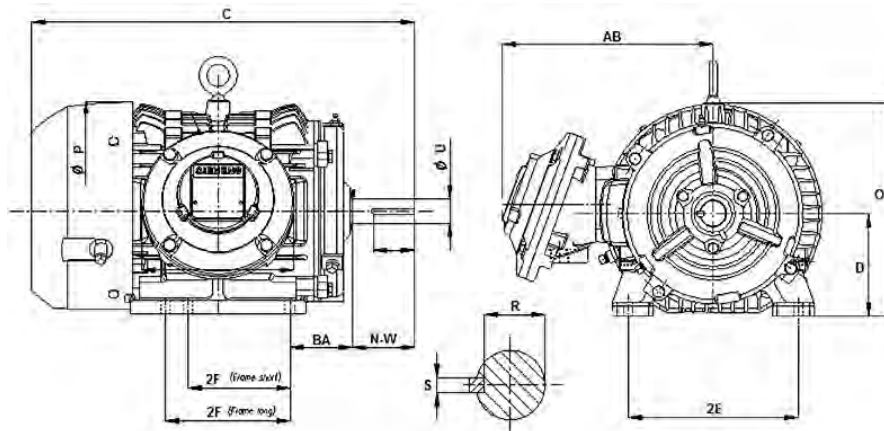
1) Only for 400HP.  
2) Only for 300, 350 and 400HP.  
Dimensions in inches.

Typical dimensions data, not guaranteed.  
\* Not according to NEMA.

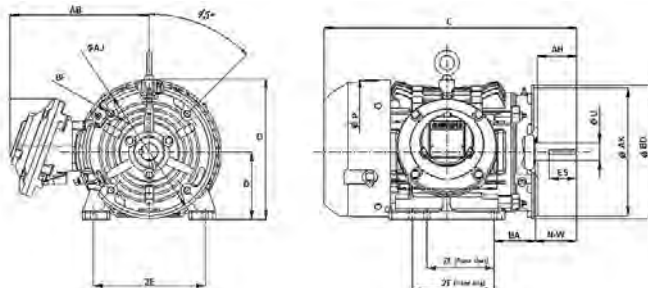
# General dimensions

## XP100 / XP100 ID1

## Explosion proof Frames 140-250



Frame	Poles	C	2F	N-W	P	U	BA	AB	2E	D	O	Keyseat		
												R	S	ES
143T	All	15.27	4.00	2.25	8.2	0.875	2.25	8.75	5.5	3.50	9.19	0.771	0.188	1.42
145T	All	15.27	5.00	2.25	8.2	0.875	2.25	8.75	5.5	3.50	9.19	0.771	0.188	1.42
182T	All	16.87	4.50	2.75	9.6	1.125	2.75	9.30	7.5	4.50	9.34	0.990	0.250	1.78
184T	All	16.87	5.50	2.75	9.6	1.125	2.75	9.30	7.5	4.50	9.34	0.986	0.250	1.78
213T	All	19.97	5.50	3.38	10.7	1.375	3.50	10.54	8.5	5.25	10.68	1.201	0.312	2.44
215T	All	19.97	7.00	3.38	10.7	1.375	3.50	10.54	8.5	5.25	10.68	1.201	0.312	2.44
254T	All	25.77	8.25	4.00	12.9	1.625	4.25	11.52	10.0	6.25	12.67	1.416	0.375	2.91
256T	All	25.77	10.00	4.00	12.9	1.625	4.25	11.52	10.0	6.25	12.67	1.416	0.375	2.91



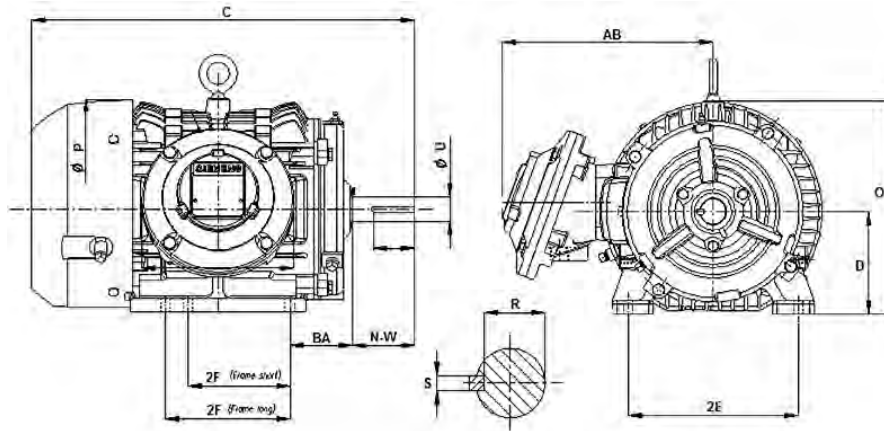
Frame	Poles	C-Face						
		BA*	AH	AJ	AK	BD	BF #	BF
143TC	All	2.25	2.12	4.500	5.875	6.600	4	3/8-16NC
145TC	All	2.25	2.12	4.500	5.875	6.600	4	3/8-16NC
182TC	All	2.75	2.62	8.500	7.250	8.900	4	1/2-13NC
184TC	All	2.75	2.62	8.500	7.250	8.900	4	1/2-13NC
213TC	All	3.50	3.12	8.500	7.250	8.900	4	1/2-13NC
215TC	All	3.50	3.12	8.500	7.250	8.900	4	1/2-13NC
254TC	All	4.23	3.75	8.500	7.250	9.290	4	1/2-13NC
256TC	All	4.25	3.75	8.500	7.250	9.290	4	1/2-13NC

Dimensions in inches.  
Typical dimensions data, not guaranteed.  
\* Not according to NEMA.

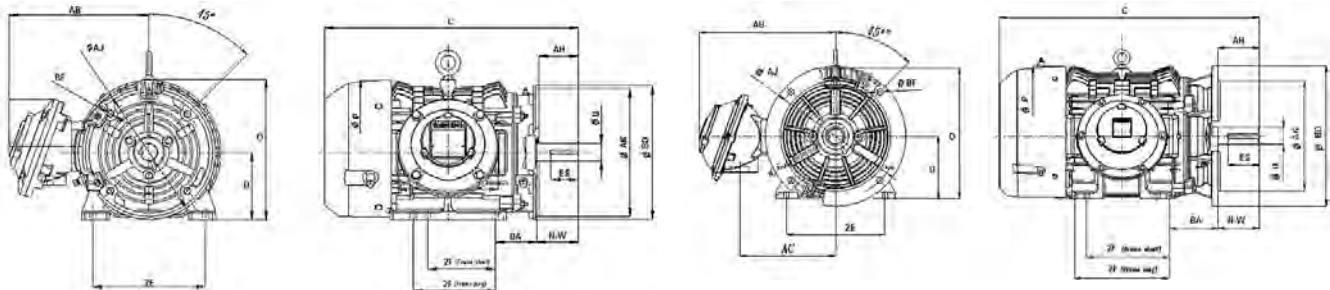
# General dimensions

XP100 / XP100 ID1

Explosion proof  
Frames 280-320



Frame	Poles	C	2F	N-W	P	U	BA	AB	2E	D	O	Keyseat		
												R	S	ES
284T	All	29.40	9.50	4.62	15.8	1.875	4.75	12.85	11.0	7	14.85	1.590	0.500	3.28
286T	All	29.40	11.0	4.62	15.8	1.875	4.75	12.85	11.0	7	14.85	1.590	0.500	3.28
284TS	All	28.03	9.50	3.25	15.8	1.625	4.75	12.85	11.0	7	14.85	1.420	0.375	1.91
286TS	All	28.03	11.0	3.25	15.8	1.625	4.75	12.85	11.0	7	14.85	1.420	0.375	1.91
324T	All	32.08	10.5	5.25	17.7	2.120	5.25	17.35	12.5	8	16.69	1.845	0.500	3.91
326T	All	32.08	12.0	5.25	17.7	2.120	5.25	17.35	12.5	8	16.69	1.845	0.500	3.91
324TS	All	30.58	10.5	3.75	17.7	1.870	5.25	17.35	12.5	8	16.69	1.591	0.500	2.03
326TS	All	30.58	12.0	3.75	17.7	1.870	5.25	17.35	12.5	8	16.69	1.591	0.500	2.03



Frame	Poles	C-Face						
		BA	AH	AJ	AK	BD	BF #	BF
284T	All	4.75	4.38	9	10.5	11.25	4	1/2"-13NC
286T	All	4.75	4.38	9	10.5	11.25	4	1/2"-13NC
284TS	All	4.75	3.00	9	10.5	11.25	4	1/2"-13NC
286TS	All	4.75	3.00	9	10.5	11.25	4	1/2"-13NC
324T	All	5.25	5.00	11	12.5	14.00	4	5/8"-11NC
326T	All	5.25	5.00	11	12.5	14.00	4	5/8"-11NC
324TS	All	5.25	3.50	11	12.5	14.00	4	5/8"-11NC
326TS	All	5.25	3.50	11	12.5	14.00	4	5/8"-11NC

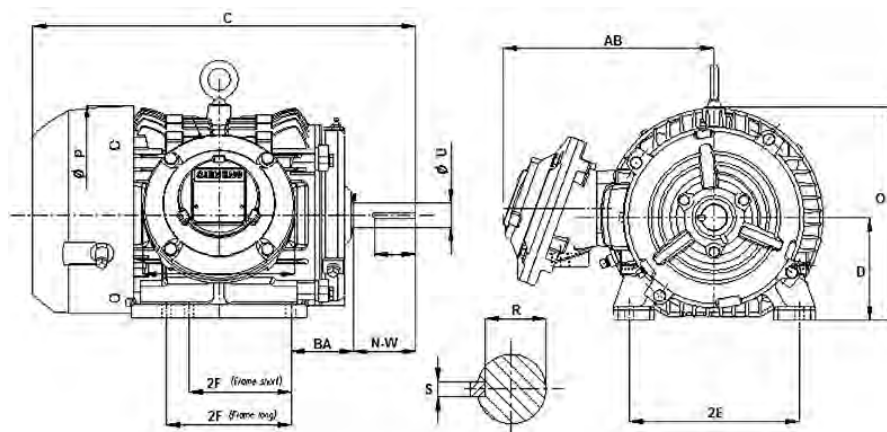
Frame	Poles	D-Flange						
		BA	AH	AJ	AK	BD	BF #	BF
284TD	All	4.75	4.38	12.5	11.0	13.88	4	0.81
286TD	All	4.75	4.38	12.5	11.0	13.88	4	0.81
284TSD	All	4.75	3.00	12.5	11.0	13.88	4	0.81
286TSD	All	4.75	3.00	12.5	11.0	13.88	4	0.81
324TD	All	5.25	5.00	16.0	14.0	17.87	4	0.81
326TD	All	5.25	5.00	16.0	14.0	17.87	4	0.81
324TSD	All	5.25	3.50	16.0	14.0	17.87	4	0.81
326TSD	All	5.25	3.50	16.0	14.0	17.87	4	0.81

Dimensions in inches.  
Typical dimensions data, not guaranteed.

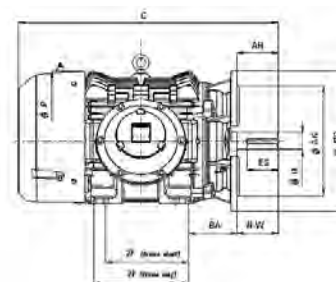
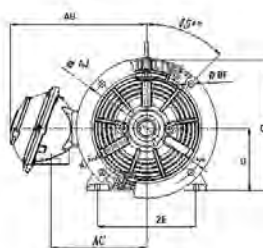
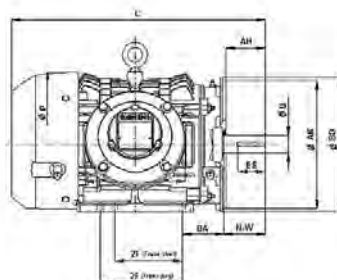
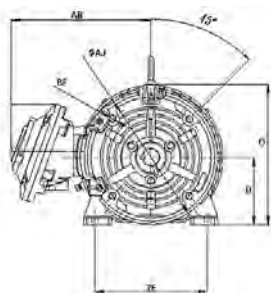
# General dimensions

## XP100 / XP100 ID1

## Explosion proof Frames 360-400



Frame	Poles	C	2F	N-W	P	U	BA	AB	2E	D	O	Keyseat		
												R	S	ES
364T	All	35.28	11.25	5.87	19.6	2.370	5.88	18.18	14	9	18.65	2.020	0.625	4.28
365T	All	35.28	12.25	5.87	19.6	2.370	5.88	18.18	14	9	18.65	2.020	0.625	4.28
364TS	All	33.16	11.25	3.75	19.6	1.875	5.88	18.18	14	9	18.65	1.590	0.500	2.03
365TS	All	33.16	12.25	3.75	19.6	1.875	5.88	18.18	14	9	18.65	1.590	0.500	2.03
404T	All	39.52	12.25	7.25	19.6	2.870	6.62	20.34	16	10	19.61	2.450	0.750	5.65
405T	All	39.52	13.75	7.25	19.6	2.870	6.62	20.34	16	10	19.61	2.450	0.750	5.65
404TS	All	36.52	12.25	4.25	19.6	2.120	6.62	20.34	16	10	19.61	1.845	0.500	2.78
405TS	All	36.52	13.75	4.25	19.6	2.120	6.62	20.34	16	10	19.61	1.845	0.500	2.78



Frame	Poles	C-Face						
		BA*	AH	AJ	AK	BD	BF #	BF
364TC	All	6.62	5.62	11	12.5	14.00	8	5/8"-11NC
365TC	All	6.62	5.62	11	12.5	14.00	8	5/8"-11NC
364TSC	All	6.62	3.50	11	12.5	14.00	8	5/8"-11NC
365TSC	All	6.62	3.50	11	12.5	14.00	8	5/8"-11NC
404TC	All	6.62	7.00	11	12.5	15.50	8	5/8"-11NC
405TC	All	6.62	7.00	11	12.5	15.50	8	5/8"-11NC
404TSC	All	6.62	4.00	11	12.5	15.50	8	5/8"-11NC
405TSC	All	6.62	4.00	11	12.5	15.50	8	5/8"-11NC

Frame	Poles	D-Flange						
		BA*	AH	AJ	AK	BD	BF #	BF
364TD	All	6.62	5.62	16.0	14.0	18.0	4	0.81
365TD	All	6.62	5.62	16.0	14.0	18.0	4	0.81
364TSD	All	6.62	3.50	16.0	14.0	18.0	4	0.81
365TSD	All	6.62	3.50	16.0	14.0	18.0	4	0.81
404TD	All	6.62	7.00	16.0	14.0	22.0	8	0.81
405TD	All	6.62	7.00	16.0	14.0	22.0	8	0.81
404TSD	All	6.62	4.00	16.0	14.0	22.0	8	0.81
405TSD	All	6.62	4.00	16.0	14.0	22.0	8	0.81

Dimensions in inches.

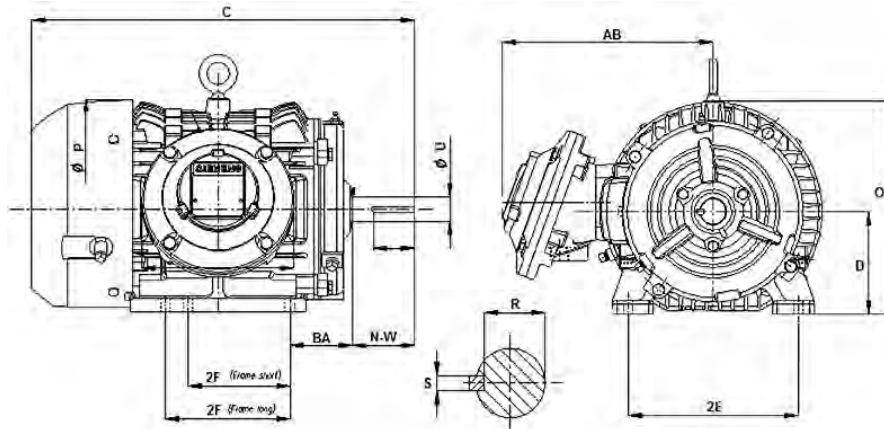
Typical dimensions data, not guaranteed.

\* Not according to NEMA.

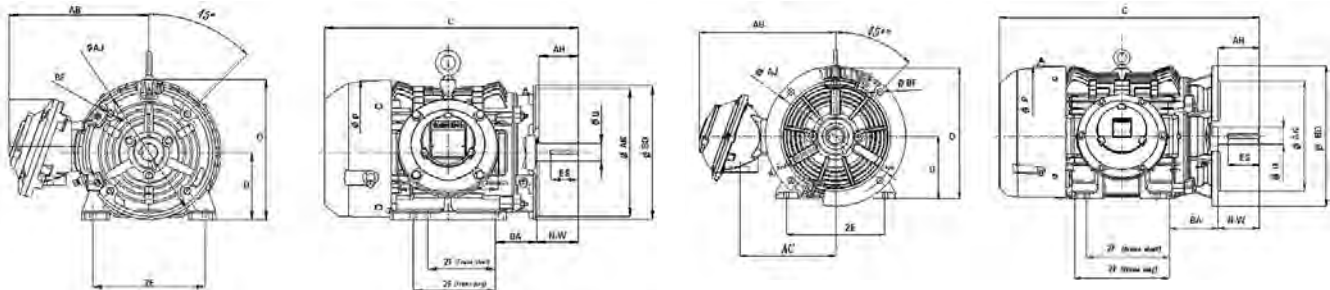
# General dimensions

## XP100 / XP100 ID1

## Explosion proof Frames 440



Frame	Poles	C	2F	N-W	P	U	BA	AB	2E	D	O	Keyseat		
												R	S	ES
444T	All	45.58	14.5	8.50	21.7	3.37	7.5	21.59	18	11	21.98	2.880	0.875	6.910
445T	All	45.58	16.5	8.50	21.7	3.37	7.5	21.59	18	11	21.98	2.880	0.875	6.910
444TS	All	41.83	14.5	4.75	21.7	2.37	7.5	21.59	18	11	21.98	2.020	0.625	3.030
445TS	All	41.83	16.5	4.75	21.7	2.37	7.5	21.59	18	11	21.98	2.021	0.625	3.030
447T	All	49.08	20.0	8.50	21.7	3.37	7.5	21.59	18	11	21.98	2.880	0.875	6.910
447TS	All	45.33	20.0	4.75	21.7	2.37	7.5	21.59	18	11	21.98	2.021	0.625	3.030
449T	All	54.08	25.0	8.50	21.7	3.37	7.5	23.46	18	11	21.98	2.880	0.875	6.912
449TS	All	50.33	25.0	4.75	21.7	2.37	7.5	23.46	18	11	21.98	2.021	0.875	3.030



Frame	Poles	C-Face						
		BA	AH	AJ	AK	BD	BF #	BF
444TC	All	7.5	8.25	14	16.0	18.0	8	5/8"-11NC
445TC	All	7.5	8.25	14	16.0	18.0	8	5/8"-11NC
444TSC	All	7.5	4.50	14	16.0	18.0	8	5/8"-11NC
445TSC	All	7.5	4.50	14	16.0	18.0	8	5/8"-11NC
447TC	All	7.5	8.25	14	16.0	18.0	8	5/8"-11NC
447TSC	All	7.5	4.50	14	16.0	18.0	8	5/8"-11NC
449TC	All	7.5	8.25	14	16.0	18.0	8	5/8"-11NC
449TSC	All	7.5	4.50	14	16.0	18.0	8	5/8"-11NC

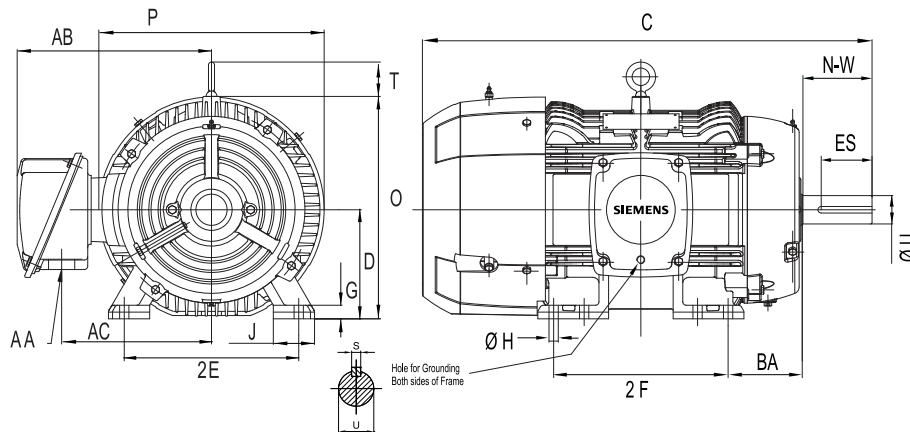
Frame	Poles	D-Flange						
		BA	AH	AJ	AK	BD	BF #	BF
444TD	All	7.5	8.25	14.0	18.0	22.0	8	0.81
445TD	All	7.5	8.25	14.0	18.0	22.0	8	0.81
444TSD	All	7.5	4.50	14.0	18.0	22.0	8	0.81
445TSD	All	7.5	4.50	14.0	18.0	22.0	8	0.81
447TD	All	7.5	8.25	14.0	18.0	22.0	8	0.81
447TSD	All	7.5	4.50	14.0	18.0	22.0	8	0.81
449TD	All	7.5	8.25	14.0	18.0	22.0	8	0.81
449TSD	All	7.5	4.50	14.0	18.0	22.0	8	0.81

Dimensions in inches.  
Typical dimensions data, not guaranteed.

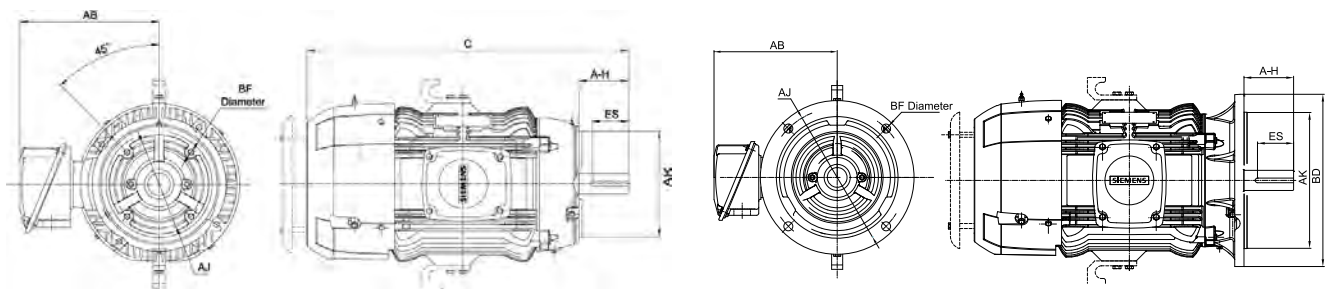
# General dimensions

## SD10 MS

## Definite purpose Frames 140-250



Frame	Poles	C	2F	N-W	P	U	BA	AB	2E	D	O	Keyseat		
												R	S	ES
143T	All	14.37	4.0	2.25	7.6	0.875	2.25	7.00	5.5	3.50	7.28	0.771	0.188	1.41
145T	All	14.37	5.0	2.25	7.6	0.875	2.25	7.00	5.5	3.50	7.28	0.771	0.188	1.41
182T	All	16.68	4.5	2.75	8.7	1.125	2.75	6.94	7.5	4.50	8.87	0.986	0.250	1.81
184T	All	16.68	5.5	2.75	8.7	1.125	2.75	6.94	7.5	4.50	8.87	0.986	0.250	1.81
213T	All	20.65	5.5	3.38	10.3	1.375	3.5	8.27	8.5	5.25	10.41	1.201	0.312	2.44
215T	All	20.65	7.0	3.38	10.3	1.375	3.5	8.27	8.5	5.25	10.41	1.201	0.312	2.44
254T	All	26.16	8.25	4.00	12.4	1.625	4.25	9.35	10.0	6.25	12.43	1.416	0.375	2.91
256T	All	26.16	10.0	4.00	12.4	1.625	4.25	9.35	10.0	6.25	12.43	1.416	0.375	2.91



Frame	Poles	C-Face						
		BA*	AH	AJ	AK	BD	BF #	BF
143TC	All	2.25	2.12	5.875	4.5	6.60	4	3/8"-16NC
145TC	All	2.25	2.12	5.875	4.5	6.60	4	3/8"-16NC
182TC	All	2.75	2.62	7.250	8.5 *	8.90	4	1/2"-13NC
184TC	All	2.75	2.62	7.250	8.5 *	8.90	4	1/2"-13NC
213TC	All	3.50	3.12	7.250	8.5	8.90	4	1/2"-13NC
215TC	All	3.50	3.12	7.250	8.5	8.90	4	1/2"-13NC
254TC	All	4.25	3.75	7.250	8.5	9.30	4	1/2"-13NC
256TC	All	4.25	3.75	7.250	8.5	9.30	4	1/2"-13NC

Frame	Poles	D-Flange						
		BA*	AH	AJ	AK	BD	BF #	BF
143TD	All	2.25	2.25	10	9.0	10.90	4	0.53
145TD	All	2.25	2.25	10	9.0	10.90	4	0.53
182TD	All	2.75	2.75	10	9.0	11.00	4	0.53
184TD	All	2.75	2.75	10	9.0	11.00	4	0.53
213TD	All	3.50	3.38	10	9.0	10.90	4	0.53
215TD	All	3.50	3.38	10	9.0	10.90	4	0.53
254TD	All	4.25	4.00	12.5	11.0	13.90	4	0.81
256TD	All	4.25	4.00	12.5	11.0	13.90	4	0.81

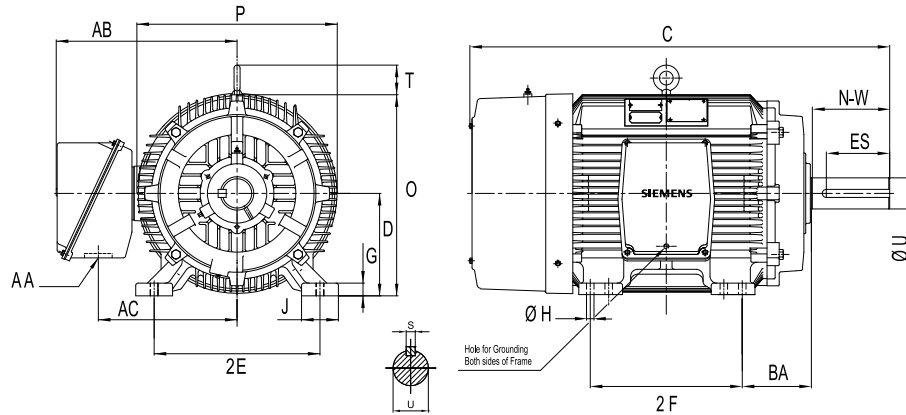
Dimensions in inches.  
Typical dimensions data, not guaranteed.  
\* Not according to NEMA.

Introduction  
 General Purpose Motors  
 Severe Duty Motors  
 Hazardous Duty Motors  
 Definite Purpose Motors  
 Special Features Detail  
 Options Selection and Pricing  
 Typical Performance Data  
 General Dimensions  
 Part Number Index

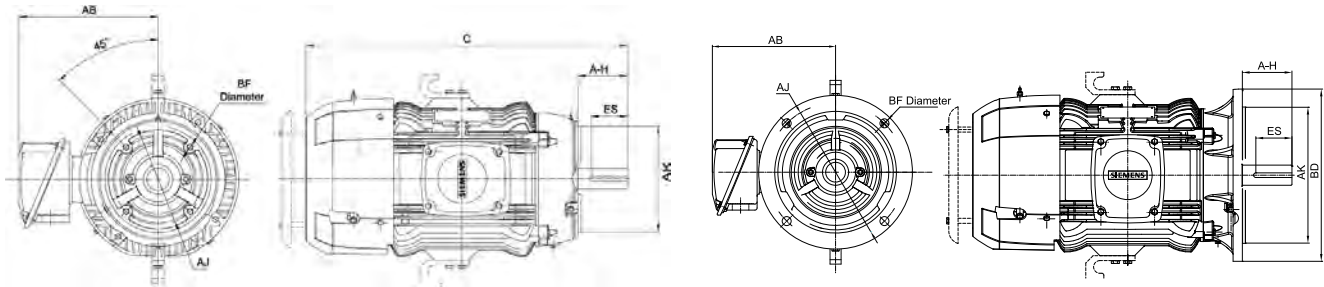
# General dimensions

## SD10 MS

## Definite purpose Frames 280-320



Frame	Poles	C	2F	N-W	P	U	AB	BA	2E	D	O	Keyseat		
												R	S	ES
284T	All	27.4	9.50	4.63	15.5	1.875	13.40	4.75	11.0	7.0	14.19	1.590	0.500	3.25
286T	All	28.9	11.00	4.63	15.5	1.875	13.40	4.75	11.0	7.0	14.19	1.590	0.500	3.25
284TS	All	26.0	9.50	3.25	15.5	1.625	13.40	4.75	11.0	7.0	14.19	1.420	0.375	1.88
286TS	All	27.5	11.00	3.25	15.5	1.625	13.40	4.75	11.0	7.0	14.19	1.420	0.375	1.88
324T	All	32.0	10.50	5.25	17.1	2.125	15.75	5.25	12.5	8.0	15.94	1.850	0.500	3.88
326T	All	32.0	12.00	5.25	17.1	2.125	15.75	5.25	12.5	8.0	15.94	1.850	0.500	3.88
324TS	All	30.0	10.50	3.75	17.1	1.875	15.75	5.25	12.5	8.0	15.94	1.590	0.500	2.00
326TS	All	30.0	12.00	3.75	17.1	1.875	15.75	5.25	12.5	8.0	15.94	1.590	0.500	2.00



Frame	Poles	C-Face						
		BA	AH	AJ	AK	BD	BF #	BF
284TC	All	4.75	4.38	9	10.5	10.75	4	1/2"-13NC
286TC	All	4.75	4.38	9	10.5	10.75	4	1/2"-13NC
284TSC	All	4.75	3.00	9	10.5	10.75	4	1/2"-13NC
286TSC	All	4.75	3.00	9	10.5	10.75	4	1/2"-13NC
324TC	All	5.25	5.00	11	12.5	12.75	4	5/8"-11NC
326TC	All	5.25	5.00	11	12.5	12.75	4	5/8"-11NC
324TSC	All	5.25	3.50	11	12.5	12.75	4	5/8"-11NC
326TSC	All	5.25	3.50	11	12.5	12.75	4	5/8"-11NC

Frame	Poles	D-Flange						
		BA	AH	AJ	AK	BD	BF #	BF
284TD	All	4.75	4.62	12.5	11.0	13.88	4	0.81
286TD	All	4.75	4.62	12.5	11.0	13.88	4	0.81
284TSD	All	4.75	3.25	12.5	11.0	13.88	4	0.81
286TSD	All	4.75	3.25	12.5	11.0	13.88	4	0.81
324TD	All	5.25	5.25	16.0	14.0	17.88	4	0.81
326TD	All	5.25	5.25	16.0	14.0	17.88	4	0.81
324TSD	All	5.25	3.75	16.0	14.0	17.88	4	0.81
326TSD	All	5.25	3.75	16.0	14.0	17.88	4	0.81

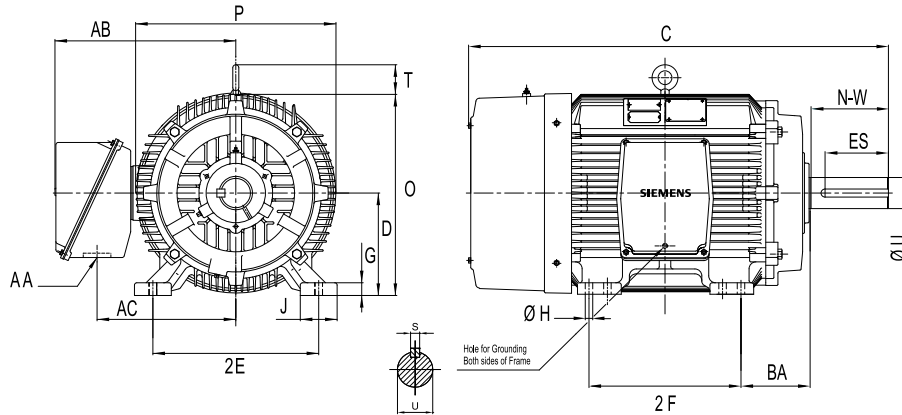
Dimensions in inches.  
Typical dimensions data, not guaranteed.



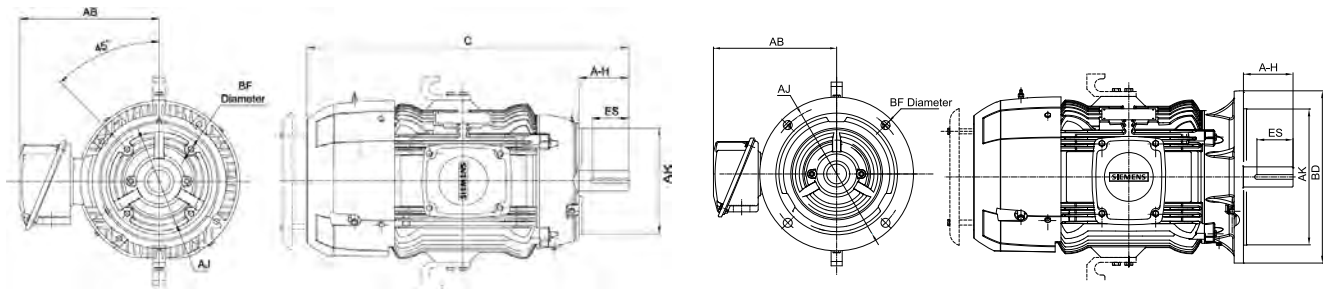
# General dimensions

## SD10 MS

## Definite purpose Frames 360-400



Frame	Poles	C	2F	N-W	P	U	AB	BA	2E	D	O	Keyseat		
												R	S	ES
364T	All	34.2	11.25	5.88	18.5	2.375	17.69	5.88	14.0	9.0	17.81	2.020	0.625	4.25
365T	All	34.2	12.25	5.88	18.5	2.375	17.69	5.88	14.0	9.0	17.81	2.020	0.625	4.25
364TS	All	32.1	11.25	3.75	18.5	1.875	17.69	5.88	14.0	9.0	17.81	1.590	0.500	2.00
365TS	All	32.1	12.25	3.75	18.5	1.875	17.69	5.88	14.0	9.0	17.81	1.590	0.500	2.00
404T	All	39.5	12.25	7.25	19.6	2.875	17.50	6.63	16.0	10.0	19.90	2.450	0.750	5.63
405T	All	39.5	13.75	7.25	19.6	2.875	17.50	6.63	16.0	10.0	19.90	2.450	0.750	5.63
404TS	All	36.5	12.25	4.25	19.6	2.125	17.50	6.63	16.0	10.0	19.90	1.850	0.500	2.75
405TS	All	36.5	13.75	4.25	19.6	2.125	17.50	6.63	16.0	10.0	19.90	1.850	0.500	2.75



Frame	Poles	C-Face						
		BA	AH	AJ	AK	BD	BF #	BF
364TC	All	5.88	5.62	11	12.5	12.75	8	5/8"-11NC
365TC	All	5.88	5.62	11	12.5	12.75	8	5/8"-11NC
364TSC	All	5.88	3.50	11	12.5	12.75	8	5/8"-11NC
365TSC	All	5.88	3.50	11	12.5	12.75	8	5/8"-11NC
404TC	All	6.63	7.00	11	12.5	13.50	8	5/8"-11NC
405TC	All	6.63	7.00	11	12.5	13.50	8	5/8"-11NC
404TSC	All	6.63	4.00	11	12.5	13.50	8	5/8"-11NC
405TSC	All	6.63	4.00	11	12.5	13.50	8	5/8"-11NC

Frame	Poles	D-Flange						
		BA	AH	AJ	AK	BD	BF #	BF
364TD	All	5.88	5.88	16	14.0	17.88	4	0.81
365TD	All	5.88	5.88	16	14.0	17.88	4	0.81
364TSD	All	5.88	3.75	16	14.0	17.88	4	0.81
365TSD	All	5.88	3.75	16	14.0	17.88	4	0.81
404TD	All	6.63	7.25	20	18.0	21.88	8	0.81
405TD	All	6.63	7.25	20	18.0	21.88	8	0.81
404TSD	All	6.63	4.25	20	18.0	21.88	8	0.81
405TSD	All	6.63	4.25	20	18.0	21.88	8	0.81

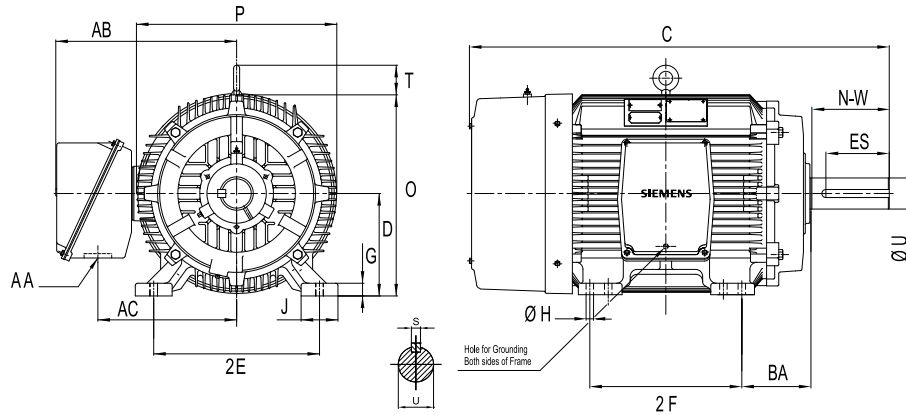
Dimensions in inches.  
Typical dimensions data, not guaranteed.

Introduction  
General Purpose Motors  
Severe Duty Motors  
Hazardous Duty Motors  
Definite Purpose Motors  
Special Features Detail  
Options Selection and Pricing  
Typical Performance Data  
General Dimensions  
Part Number Index

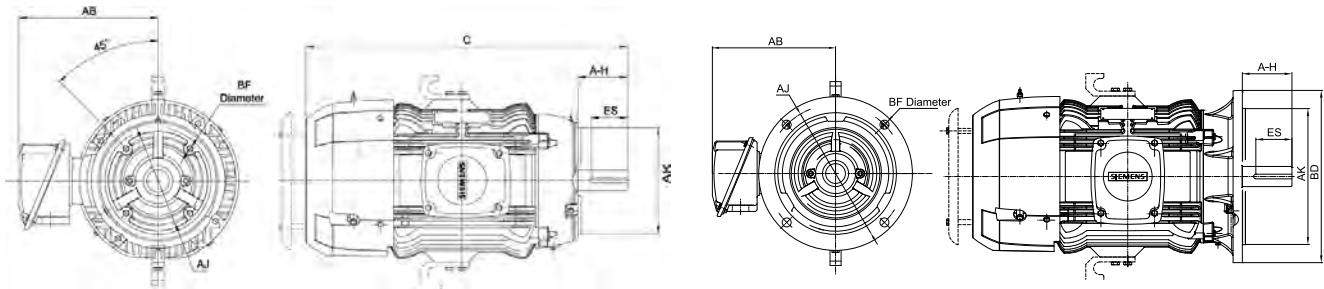
# General dimensions

## SD10 MS

## Definite purpose Frames 440-S440



Frame	Poles	C	2F	N-W	P	U	AB	BA	2E	D	O	Keyseat		
												R	S	ES
444T	All	45.6	14.50	8.50	21.7	3.375	19.94	7.5	18.0	11.0	21.90	0.875	2.880	6.88
445T	All	45.6	16.50	8.50	21.7	3.375	19.94	7.5	18.0	11.0	21.90	0.875	2.880	6.88
444TS	All	41.8	14.50	4.75	21.7	2.375	19.94	7.5	18.0	11.0	21.90	0.625	2.020	3.00
445TS	All	41.8	16.50	4.75	21.7	2.375	19.94	7.5	18.0	11.0	21.90	0.625	2.020	3.00
447T	All	49.1	20.00	8.50	21.8	3.375	19.94	7.5	18.0	11.0	21.90	0.875	2.880	6.88
447TS	All	45.4	20.00	4.75	21.8	2.375	19.94	7.5	18.0	11.0	21.90	0.625	2.020	3.00
449T	All	54.1	25.00	8.50	21.8	3.375	22.00	7.5	18.0	11.0	21.90	0.875	2.880	6.88
449TS	All	50.3	25.00	4.75	21.8	2.375	22.00	7.5	18.0	11.0	21.90	0.625	2.020	3.00
S449LS	All	67.1	25.00	9.12	25.4	3.625	23.01	7.5	18.0	11.0	23.40	0.875	3.130	7.50
S449SS	All	67.1	25.00	5.25	25.4	2.625	23.01	7.5	18.0	11.0	23.40	0.625	2.280	3.50



Frame	Poles	C-Face						
		BA	AH	AJ	AK	BD	BF #	BF
444TC	All	7.5	8.25	14	16.0	16.62	8	5/8"-11NC
445TC	All	7.5	8.25	14	16.0	16.62	8	5/8"-11NC
444TSC	All	7.5	4.50	14	16.0	16.62	8	5/8"-11NC
445TSC	All	7.5	4.50	14	16.0	16.62	8	5/8"-11NC
447TC	All	7.5	8.25	14	16.0	16.62	8	5/8"-11NC
447TSC	All	7.5	4.50	14	16.0	16.62	8	5/8"-11NC
449TC	All	7.5	8.25	14	16.0	16.62	8	5/8"-11NC
449TSC	All	7.5	4.50	14	16.0	16.62	8	5/8"-11NC

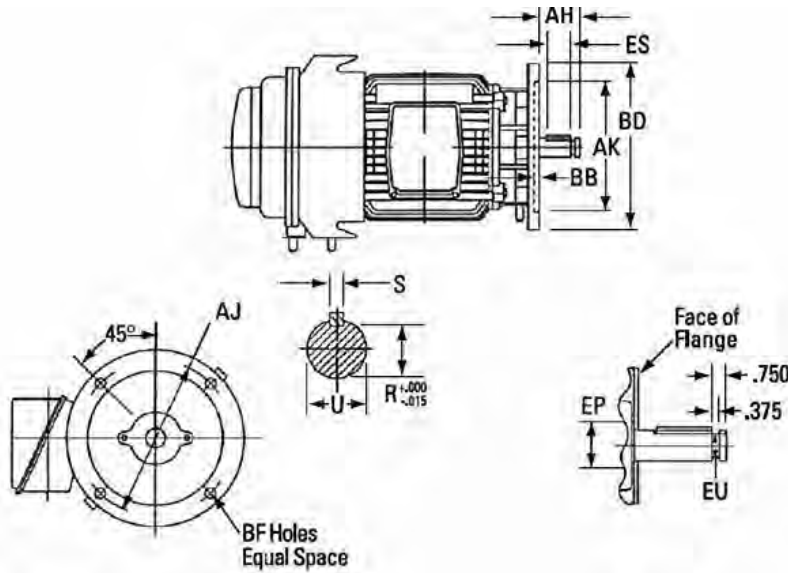
Frame	Poles	D-Flange						
		BA	AH	AJ	AK	BD	BF #	BF
444TD	All	7.5	8.50	20	18.0	21.88	8	0.81
445TD	All	7.5	8.50	20	18.0	21.88	8	0.81
444TSD	All	7.5	4.75	20	18.0	21.88	8	0.81
445TSD	All	7.5	4.75	20	18.0	21.88	8	0.81
447TD	All	7.5	8.50	20	18.0	21.88	8	0.81
447TSD	All	7.5	4.75	20	18.0	21.88	8	0.81
449TD	All	7.5	8.50	20	18.0	21.88	8	0.81
449TSD	All	7.5	4.75	20	18.0	21.88	8	0.81

Dimensions in inches.  
Typical dimensions data, not guaranteed.

# General dimensions

## RGZVESD / RGZVILESD

## Definite purpose Vertical P-base solid shaft



### In-line thrust

Frame	U	ES	EU	EP	AH	AJ	AK	BB	BD	BF	R	S	
143LP	145LP	1.125	1.25	0.875	1.16	2.75	9.12	8.25	0.19	10.00	0.438	0.986	0.250
182LP	184LP	1.125	1.25	0.875	1.16	2.75	9.12	8.25	0.19	10.00	0.438	0.986	0.250
213LP	215LP	1.625	1.25	1.25	1.77	2.75	9.12	8.25	0.19	10.00	0.438	1.416	0.375
254LP	256LP	1.625	1.25	1.25	1.77	2.75	9.12	8.25	0.19	10.00	0.438	1.416	0.375
284LPH	286LPH	2.125	3.00	1.75	2.36	4.50	14.75	13.5	0.25	16.50	0.688	1.845	0.500
324LP	326LP	2.125	3.00	1.75	2.36	4.50	14.75	13.5	0.25	16.50	0.688	1.845	0.500
364LP	365LP	2.125	3.00	1.75	2.38	4.50	14.75	13.5	0.25	16.50	0.688	1.845	0.500
404LP	405LP	2.125	3.00	1.75	2.999	4.50	14.75	13.5	0.25	16.38	0.688	1.845	0.500
444LP	445LP	2.125	3.00	1.75	2.999	4.50	14.75	13.5	0.25	16.38	0.688	1.845	0.500
447LP	449LP	2.125	3.00	1.75	2.999	4.50	14.75	13.5	0.25	16.38	0.688	1.845	0.500

### Normal thrust

Frame	U	ES	EU	EP	AH	AJ	AK	BB	BD	BF	R	S	
143HP	145HP	0.875	1.25	0.688	1.16	2.75	9.12	8.25	0.19	10.00	0.438	0.771	0.188
182HP	184HP	1.125	1.25	0.875	1.16	2.75	9.12	8.25	0.19	10.00	0.438	0.986	0.250
213HP	215HP	1.125	1.25	0.875	1.38	2.75	9.12	8.25	0.19	10.00	0.438	0.986	0.250
254HP	256HP	1.125	1.25	0.875	1.77	2.75	9.12	8.25	0.19	10.00	0.438	0.986	0.250
284HP	286HP	1.125	1.25	0.875	2.36	2.75	9.12	8.25	0.19	10.00	0.438	0.986	0.250
284HHP	286HHP	1.625	3.00	1.250	2.36	4.50	14.75	13.5	0.25	16.50	0.688	1.416	0.375
324HP	326HP	1.625	3.00	1.250	2.36	4.50	14.75	13.5	0.25	16.50	0.688	1.416	0.375
364HP	365HP	1.625	3.00	1.250	2.36	4.50	14.75	13.5	0.25	16.50	0.688	1.416	0.375
404HP	405HP	1.625	3.00	1.250	2.999	4.50	14.75	13.5	0.25	16.38	0.688	1.416	0.375
444HP	445HP	2.125	3.00	1.750	2.999	4.50	14.75	13.5	0.25	16.38	0.688	1.845	0.500
447HP	449HP	2.125	3.00	1.750	2.999	4.50	14.75	13.5	0.25	16.38	0.688	1.845	0.500

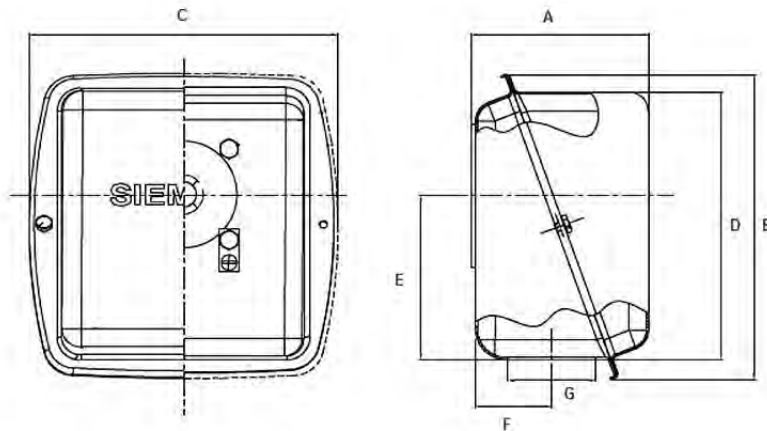
Dimensions in inches.  
Typical dimensions data, not guaranteed.

Introduction  
 General Purpose Motors  
 Severe Duty Motors  
 Hazardous Duty Motors  
 Definite Purpose Motors  
 Special Features Detail  
 Options Selection and Pricing  
 Typical Performance Data  
 General Dimensions  
 Part Number Index

# General dimensions

## SIMOTICS General purpose

## Conduit boxes GP100A / GP100



Frame	External Dimensions (in)							Approx. internal volume (in <sup>3</sup> )	Number of cover bolts
	A	B	C	D	E	F	G		
140	2.79	5.31	4.41	4.02	2.69	0.95	0.75	37	4
180	2.79	5.31	4.41	4.02	2.69	0.95	0.75	37	4
210	3.30	6.89	5.71	5.20	3.82	1.18	1.00	87	4
250	3.30	6.89	5.71	5.20	3.82	1.18	1.25	87	4
280	5.00	8.60	8.70	6.38	4.50	2.16	2.00	230	4
320	5.00	8.60	8.70	7.62	4.50	2.16	2.50	230	4
360	7.44	9.94	9.69	9.50	4.72	3.54	3.00	465	4
400	7.44	9.94	9.69	9.50	4.72	3.54	3.00	465	4

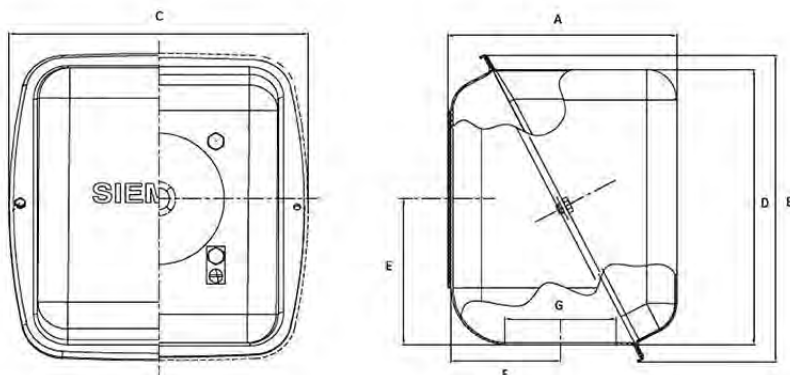
Dimensions in inches.  
Typical dimensions data, not guaranteed.

# General dimensions

## SIMOTICS Severe duty

## Conduit boxes

### SD100 / SD100 IEEE841 / SD10 MS



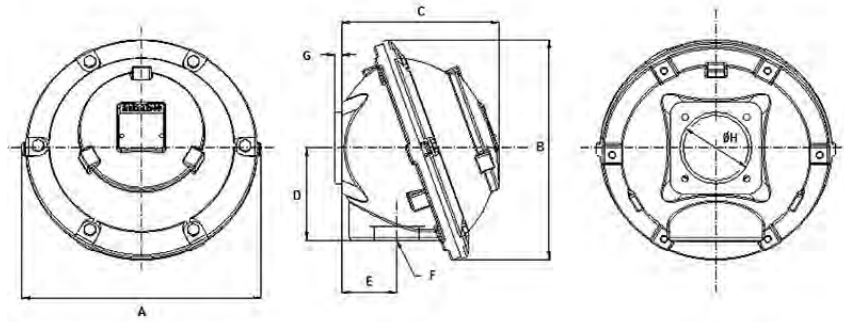
Frame	External Dimension (in)							Approx. internal volume (in <sup>3</sup> )	Number of cover bolts
	A	B	C	D	E	F	G		
140	3.23	5.98	4.96	4.37	2.28	1.18	0.75	41	4
180	3.23	5.98	4.96	4.37	2.28	1.18	0.75	41	4
210	4.24	7.11	5.94	5.32	3.43	1.69	1	86	4
250	4.24	7.11	5.94	5.32	3.43	1.69	1.25	86	4
280	5.5	8.31	7.12	6.38	4.75	2.44	1.5	226	4
320	6.44	10	8.5	7.62	5.5	3	2	380	4
360	8.06	12.31	10.5	9.5	7	3.5	3	762	4
400	8.06	12.31	10.5	9.5	7	3.5	3	762	4
444-447	8.06	12.31	10.5	9.5	7	3.5	3	762	4
449	10.19	15.7	13.5	12.5	8.5	5	3	1696	4
S449	10.19	15.7	13.5	12.5	8.5	5	4	1696	4

Dimensions in inches.  
Typical dimensions data, not guaranteed.

# General dimensions

SIMOTICS Explosion proof

Conduit boxes  
XP100 / XP100 ID1

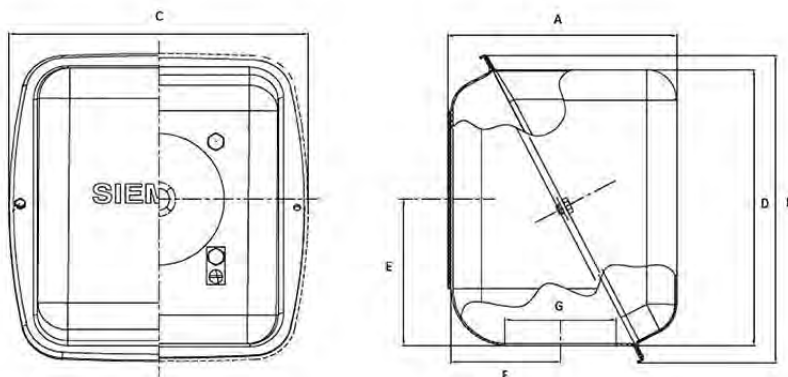


Frame	External Dimensions (in)								Approx. internal volume (in <sup>3</sup> )	Number of cover bolts
	A	B	C	D	E	F	G	H		
140	7.28	6.65	4.07	2.56	1.61	3/4"-14 NPT	0.35	2.20	39.0	4
180	7.28	6.65	4.07	2.56	1.61	3/4"-14 NPT	0.35	2.20	39.0	4
210	8.07	7.40	4.66	2.95	1.73	1"-11.5NPT	0.35	2.83	64.0	4
250	8.07	7.40	4.66	2.95	1.73	1"-11.5NPT	0.35	2.83	64.0	4
280	8.07	7.40	4.66	2.95	1.73	1.5"-11.5NPT	0.35	2.83	64.0	4
320	12.00	11.13	7.90	4.65	2.76	2"-11.5NPT	0.35	3.62	278.4	6
360	12.00	11.13	7.90	4.65	2.76	3"-8NPT	0.35	3.62	278.4	6
400	14.09	13.11	9.88	5.83	4.17	3"-8NPT	0.35	4.72	552.0	6
444/445	14.09	13.11	9.88	5.83	4.17	3"-8NPT	0.35	4.72	552.0	6
447	14.09	13.11	9.88	5.83	4.17	3"-8NPT	0.35	4.72	552.0	6
449	17.24	16.14	11.75	6.89	5.45	3"-8NPT	0.35	4.72	972.0	6

# General dimensions

## SIMOTICS Definite purpose

## Conduit boxes RGZ



Frame	External Dimensions (in)							Approx. internal volume (in <sup>3</sup> )	Number of cover bolts
	A	B	C	D	E	F	G		
140	2.68	4.60	4.15	3.58	2.36	1.00	0.75	27	4
180	3.07	4.76	4.49	3.92	2.48	1.24	0.75	36	4
210	3.86	7.05	5.49	4.90	3.66	1.56	1.00	85	4
250	3.86	7.05	5.49	4.90	3.66	1.56	1.25	85	4
280	5.50	8.31	7.12	6.38	4.75	2.44	1.50	226	4
320	6.44	10.00	8.50	7.62	5.50	3.00	2.00	380	4
360	8.06	12.31	10.50	9.50	7.00	3.50	3.00	762	4
400	8.06	12.31	10.50	9.50	7.00	3.50	3.00	762	4
444-447	8.06	12.31	10.50	9.50	7.00	3.50	3.00	762	4
449	10.19	15.70	13.50	12.50	8.50	5.00	3.00	1696	4
S449	10.19	15.70	13.50	12.50	8.50	5.00	4.00	1696	4

Dimensions in inches.  
Typical dimensions data, not guaranteed.





# Part number index

## SIMOTICS NEMA motors

Part Number	HP	RPM	Type	Page
1LE21111AA214AA3	3600	1.5	GP100A	2-5
1LE21111AA314AA3	3600	2	GP100A	2-5
1LE21111AB214AA3	1800	1	GP100A	2-5
1LE21111AB314AA3	1800	1.5	GP100A	2-5
1LE21111AB414AA3	1800	2	GP100A	2-5
1LE21111AC314AA3	1200	1	GP100A	2-5
1LE21111CA114AA3	3600	3	GP100A	2-5
1LE21111CA314AA3	3600	5	GP100A	2-5
1LE21111CB114AA3	1800	3	GP100A	2-5
1LE21111CB314AA3	1800	5	GP100A	2-5
1LE21112AA114AA3	3600	7.5	GP100A	2-5
1LE21112AA214AA3	3600	10	GP100A	2-5
1LE21112AB114AA3	1800	7.5	GP100A	2-5
1LE21112AB214AA3	1800	10	GP100A	2-5
1LE21112AC114AA3	1200	3	GP100A	2-5
1LE21112AC214AA3	1200	5	GP100A	2-5
1LE21112BA114AA3	3600	15	GP100A	2-5
1LE21112BA214AA3	3600	20	GP100A	2-5
1LE21112BB114AA3	1800	15	GP100A	2-5
1LE21112BB214AA3	1800	20	GP100A	2-5
1LE21112BC114AA3	1200	7.5	GP100A	2-5
1LE21112BC214AA3	1200	10	GP100A	2-5
1LE21211AA113AA3	3600	1	GP100A	2-6
1LE21211AA113EA3	3600	1	GP100A	2-7
1LE21211AA113GA3	3600	1	GP100A	2-8
1LE21211AA114AA3	3600	1	GP100A	2-2
1LE21211AA114EA3	3600	1	GP100A	2-3
1LE21211AA114GA3	3600	1	GP100A	2-4
1LE21211AA213AA3	3600	1.5	GP100A	2-6
1LE21211AA213EA3	3600	1.5	GP100A	2-7
1LE21211AA213GA3	3600	1.5	GP100A	2-8
1LE21211AA214AA3	3600	1.5	GP100A	2-2
1LE21211AA214EA3	3600	1.5	GP100A	2-3
1LE21211AA214GA3	3600	1.5	GP100A	2-4
1LE21211AA313AA3	3600	2	GP100A	2-6
1LE21211AA313EA3	3600	2	GP100A	2-7
1LE21211AA313GA3	3600	2	GP100A	2-8
1LE21211AA314AA3	3600	2	GP100A	2-2
1LE21211AA314EA3	3600	2	GP100A	2-3
1LE21211AA314GA3	3600	2	GP100A	2-4
1LE21211AB213AA3	1800	1	GP100A	2-6
1LE21211AB213EA3	1800	1	GP100A	2-7
1LE21211AB213GA3	1800	1	GP100A	2-8
1LE21211AB214AA3	1800	1	GP100A	2-2
1LE21211AB214EA3	1800	1	GP100A	2-3
1LE21211AB214GA3	1800	1	GP100A	2-4
1LE21211AB313AA3	1800	1.5	GP100A	2-6
1LE21211AB313EA3	1800	1.5	GP100A	2-7
1LE21211AB313GA3	1800	1.5	GP100A	2-8
1LE21211AB314AA3	1800	1.5	GP100A	2-2
1LE21211AB314EA3	1800	1.5	GP100A	2-3

Part Number	HP	RPM	Type	Page
1LE21211AB314GA3	1800	1.5	GP100A	2-4
1LE21211AB413AA3	1800	2	GP100A	2-6
1LE21211AB413EA3	1800	2	GP100A	2-7
1LE21211AB413GA3	1800	2	GP100A	2-8
1LE21211AB414AA3	1800	2	GP100A	2-2
1LE21211AB414EA3	1800	2	GP100A	2-3
1LE21211AB414GA3	1800	2	GP100A	2-4
1LE21211AC313AA3	1200	1	GP100A	2-6
1LE21211AC313EA3	1200	1	GP100A	2-7
1LE21211AC313GA3	1200	1	GP100A	2-8
1LE21211AC314AA3	1200	1	GP100A	2-2
1LE21211AC314EA3	1200	1	GP100A	2-3
1LE21211AC314GA3	1200	1	GP100A	2-4
1LE21211CA113AA3	3600	3	GP100A	2-6
1LE21211CA113EA3	3600	3	GP100A	2-7
1LE21211CA113GA3	3600	3	GP100A	2-8
1LE21211CA114AA3	3600	3	GP100A	2-2
1LE21211CA114EA3	3600	3	GP100A	2-3
1LE21211CA114GA3	3600	3	GP100A	2-4
1LE21211CA313AA3	3600	5	GP100A	2-6
1LE21211CA313GA3	3600	5	GP100A	2-8
1LE21211CA314AA3	3600	5	GP100A	2-2
1LE21211CA314EA3	3600	5	GP100A	2-3
1LE21211CA314GA3	3600	5	GP100A	2-4
1LE21211CB113AA3	1800	3	GP100A	2-6
1LE21211CB113EA3	1800	3	GP100A	2-7
1LE21211CB113GA3	1800	3	GP100A	2-8
1LE21211CB114AA3	1800	3	GP100A	2-2
1LE21211CB114EA3	1800	3	GP100A	2-3
1LE21211CB114GA3	1800	3	GP100A	2-4
1LE21211CB313AA3	1800	5	GP100A	2-6
1LE21211CB313EA3	1800	5	GP100A	2-7
1LE21211CB313GA3	1800	5	GP100A	2-8
1LE21211CB314AA3	1800	5	GP100A	2-2
1LE21211CB314EA3	1800	5	GP100A	2-3
1LE21211CB314GA3	1800	5	GP100A	2-4
1LE21211CC113AA3	1200	1.5	GP100A	2-6
1LE21211CC113EA3	1200	1.5	GP100A	2-7
1LE21211CC113GA3	1200	1.5	GP100A	2-8
1LE21211CC114AA3	1200	1.5	GP100A	2-2
1LE21211CC114EA3	1200	1.5	GP100A	2-3
1LE21211CC114GA3	1200	1.5	GP100A	2-4
1LE21211CC313AA3	1200	2	GP100A	2-6
1LE21211CC313EA3	1200	2	GP100A	2-7
1LE21211CC313GA3	1200	2	GP100A	2-8
1LE21211CC314AA3	1200	2	GP100A	2-2
1LE21211CC314EA3	1200	2	GP100A	2-3
1LE21211CC314GA3	1200	2	GP100A	2-4
1LE21212AA113AA3	3600	7.5	GP100A	2-6
1LE21212AA113EA3	3600	7.5	GP100A	2-7

# Part number index

## SIMOTICS NEMA motors

Part Number	HP	RPM	Type	Page
1LE21212AA113GA3	3600	7.5	GP100A	2-8
1LE21212AA114AA3	3600	7.5	GP100A	2-2
1LE21212AA114EA3	3600	7.5	GP100A	2-3
1LE21212AA114GA3	3600	7.5	GP100A	2-4
1LE21212AA213AA3	3600	10	GP100A	2-6
1LE21212AA213EA3	3600	10	GP100A	2-7
1LE21212AA213GA3	3600	10	GP100A	2-8
1LE21212AA214AA3	3600	10	GP100A	2-2
1LE21212AA214EA3	3600	10	GP100A	2-3
1LE21212AA214GA3	3600	10	GP100A	2-4
1LE21212AB113AA3	1800	7.5	GP100A	2-6
1LE21212AB113EA3	1800	7.5	GP100A	2-7
1LE21212AB113GA3	1800	7.5	GP100A	2-8
1LE21212AB114AA3	1800	7.5	GP100A	2-2
1LE21212AB114EA3	1800	7.5	GP100A	2-3
1LE21212AB114GA3	1800	7.5	GP100A	2-4
1LE21212AB213AA3	1800	10	GP100A	2-6
1LE21212AB213EA3	1800	10	GP100A	2-7
1LE21212AB213GA3	1800	10	GP100A	2-8
1LE21212AB214AA3	1800	10	GP100A	2-2
1LE21212AB214EA3	1800	10	GP100A	2-3
1LE21212AB214GA3	1800	10	GP100A	2-4
1LE21212AC113AA3	1200	3	GP100A	2-6
1LE21212AC113EA3	1200	3	GP100A	2-7
1LE21212AC113GA3	1200	3	GP100A	2-8
1LE21212AC114AA3	1200	3	GP100A	2-2
1LE21212AC114EA3	1200	3	GP100A	2-3
1LE21212AC114GA3	1200	3	GP100A	2-4
1LE21212AC213AA3	1200	5	GP100A	2-6
1LE21212AC213EA3	1200	5	GP100A	2-7
1LE21212AC213GA3	1200	5	GP100A	2-8
1LE21212AC214AA3	1200	5	GP100A	2-2
1LE21212AC214EA3	1200	5	GP100A	2-3
1LE21212AC214GA3	1200	5	GP100A	2-4
1LE21212BA113AA3	3600	15	GP100A	2-6
1LE21212BA113EA3	3600	15	GP100A	2-7
1LE21212BA113GA3	3600	15	GP100A	2-8
1LE21212BA114AA3	3600	15	GP100A	2-2
1LE21212BA114EA3	3600	15	GP100A	2-3
1LE21212BA114GA3	3600	15	GP100A	2-4
1LE21212BA213AA3	3600	20	GP100A	2-6
1LE21212BA213EA3	3600	20	GP100A	2-7
1LE21212BA213GA3	3600	20	GP100A	2-8
1LE21212BA214AA3	3600	20	GP100A	2-2
1LE21212BA214EA3	3600	20	GP100A	2-3
1LE21212BA214GA3	3600	20	GP100A	2-4
1LE21212BB113AA3	1800	15	GP100A	2-6
1LE21212BB113EA3	1800	15	GP100A	2-7
1LE21212BB113GA3	1800	15	GP100A	2-8
1LE21212BB114AA3	1800	15	GP100A	2-2
1LE21212BB114EA3	1800	15	GP100A	2-3

Part Number	HP	RPM	Type	Page
1LE21212BB114GA3	1800	15	GP100A	2-4
1LE21212BB213AA3	1800	20	GP100A	2-6
1LE21212BB213EA3	1800	20	GP100A	2-7
1LE21212BB213GA3	1800	20	GP100A	2-8
1LE21212BB214AA3	1800	20	GP100A	2-2
1LE21212BB214EA3	1800	20	GP100A	2-3
1LE21212BB214GA3	1800	20	GP100A	2-4
1LE21212BC113AA3	1200	7.5	GP100A	2-6
1LE21212BC113EA3	1200	7.5	GP100A	2-7
1LE21212BC113GA3	1200	7.5	GP100A	2-8
1LE21212BC114AA3	1200	7.5	GP100A	2-2
1LE21212BC114EA3	1200	7.5	GP100A	2-3
1LE21212BC114GA3	1200	7.5	GP100A	2-4
1LE21212BC213AA3	1200	10	GP100A	2-6
1LE21212BC213EA3	1200	10	GP100A	2-7
1LE21212BC213GA3	1200	10	GP100A	2-8
1LE21212BC214AA3	1200	10	GP100A	2-2
1LE21212BC214EA3	1200	10	GP100A	2-3
1LE21212BC214GA3	1200	10	GP100A	2-4
1LE22111AA214AA3	3600	1.5	GP100	2-18
1LE22111AA214GA3	3600	1.5	GP100	2-19
1LE22111AA314AA3	3600	2.0	GP100	2-18
1LE22111AA314GA3	3600	2	GP100	2-19
1LE22111AB214AA3	1800	1	GP100	2-18
1LE22111AB214GA3	1800	1	GP100	2-19
1LE22111AB314AA3	1800	1.5	GP100	2-18
1LE22111AB314GA3	1800	1.5	GP100	2-19
1LE22111AB414AA3	1800	2	GP100	2-18
1LE22111AB414GA3	1800	2	GP100	2-19
1LE22111AC314AA3	1200	1	GP100	2-18
1LE22111AC314GA3	1200	1	GP100	2-19
1LE22111CA114AA3	3600	3	GP100	2-18
1LE22111CA114GA3	3600	3	GP100	2-19
1LE22111CA314AA3	3600	5	GP100	2-18
1LE22111CA314GA3	3600	5	GP100	2-19
1LE22111CB114AA3	1800	3	GP100	2-18
1LE22111CB114GA3	1800	3	GP100	2-19
1LE22111CB314AA3	1800	5	GP100	2-18
1LE22111CB314GA3	1800	5.0	GP100	2-19
1LE22112AA114AA3	3600	7.5	GP100	2-18
1LE22112AA114GA3	3600	7.5	GP100	2-19
1LE22112AA214AA3	3600	10	GP100	2-18
1LE22112AA214GA3	3600	10	GP100	2-19
1LE22112AB114AA3	1800	7.5	GP100	2-18
1LE22112AB114GA3	1800	7.5	GP100	2-19
1LE22112AB214AA3	1800	10.0	GP100	2-18
1LE22112AB214GA3	1800	10	GP100	2-19
1LE22112AC114AA3	1200	3	GP100	2-18
1LE22112AC114GA3	1200	3	GP100	2-19
1LE22112AC214AA3	1200	5	GP100	2-18
1LE22112AC214GA3	1200	5	GP100	2-19

# Part number index

## SIMOTICS NEMA motors

Part Number	HP	RPM	Type	Page
1LE22112BA114AA3	3600	15	GP100	2-18
1LE22112BA114GA3	3600	15	GP100	2-19
1LE22112BA214AA3	3600	20	GP100	2-18
1LE22112BA214GA3	3600	20	GP100	2-19
1LE22112BB114AA3	1800	15	GP100	2-18
1LE22112BB114GA3	1800	15	GP100	2-19
1LE22112BB214AA3	1800	20	GP100	2-18
1LE22112BB214GA3	1800	20	GP100	2-19
1LE22112BC114AA3	1200	7.5	GP100	2-18
1LE22112BC114GA3	1200	7.5	GP100	2-19
1LE22112BC214AA3	1200	10	GP100	2-18
1LE22112BC214GA3	1200	10	GP100	2-19
1LE22211AA113AA3	3600	1	GP100	2-20
1LE22211AA113EA3	3600	1	GP100	2-22
1LE22211AA113GA3	3600	1	GP100	2-23
1LE22211AA114AA3	3600	1	GP100	2-14
1LE22211AA114EA3	3600	1	GP100	2-16
1LE22211AA114GA3	3600	1	GP100	2-17
1LE22211AA213AA3	3600	1.5	GP100	2-20
1LE22211AA213EA3	3600	1.5	GP100	2-22
1LE22211AA213GA3	3600	1.5	GP100	2-23
1LE22211AA214AA3	3600	1.5	GP100	2-14
1LE22211AA214EA3	3600	1.5	GP100	2-16
1LE22211AA214GA3	3600	1.5	GP100	2-17
1LE22211AA313AA3	3600	2	GP100	2-20
1LE22211AA313EA3	3600	2	GP100	2-22
1LE22211AA313GA3	3600	2	GP100	2-23
1LE22211AA314AA3	3600	2	GP100	2-14
1LE22211AA314EA3	3600	2	GP100	2-16
1LE22211AA314GA3	3600	2	GP100	2-17
1LE22211AB213AA3	1800	1	GP100	2-20
1LE22211AB213EA3	1800	1	GP100	2-22
1LE22211AB213GA3	1800	1	GP100	2-23
1LE22211AB214AA3	1800	1	GP100	2-14
1LE22211AB214EA3	1800	1	GP100	2-16
1LE22211AB214GA3	1800	1	GP100	2-17
1LE22211AB313AA3	1800	1.5	GP100	2-20
1LE22211AB313EA3	1800	1.5	GP100	2-22
1LE22211AB313GA3	1800	1.5	GP100	2-23
1LE22211AB314AA3	1800	1.5	GP100	2-14
1LE22211AB314EA3	1800	1.5	GP100	2-16
1LE22211AB314GA3	1800	1.5	GP100	2-17
1LE22211AB413AA3	1800	2	GP100	2-20
1LE22211AB413EA3	1800	2	GP100	2-22
1LE22211AB413GA3	1800	2	GP100	2-23
1LE22211AB414AA3	1800	2	GP100	2-14
1LE22211AB414EA3	1800	2	GP100	2-16
1LE22211AB414GA3	1800	2	GP100	2-17
1LE22211AC313AA3	1200	1	GP100	2-20
1LE22211AC313EA3	1200	1	GP100	2-22
1LE22211AC313GA3	1200	1	GP100	2-23

Part Number	HP	RPM	Type	Page
1LE22211AC314AA3	1200	1	GP100	2-14
1LE22211AC314EA3	1200	1	GP100	2-16
1LE22211AC314GA3	1200	1	GP100	2-17
1LE22211CA113AA3	3600	3	GP100	2-20
1LE22211CA113EA3	3600	3	GP100	2-22
1LE22211CA113GA3	3600	3	GP100	2-23
1LE22211CA114AA3	3600	3	GP100	2-14
1LE22211CA114EA3	3600	3	GP100	2-16
1LE22211CA114GA3	3600	3	GP100	2-17
1LE22211CA313AA3	3600	5	GP100	2-20
1LE22211CA313EA3	3600	5	GP100	2-22
1LE22211CA313GA3	3600	5	GP100	2-23
1LE22211CA314AA3	3600	5	GP100	2-14
1LE22211CA314EA3	3600	5	GP100	2-16
1LE22211CA314GA3	3600	5	GP100	2-17
1LE22211CB113AA3	1800	3	GP100	2-20
1LE22211CB113EA3	1800	3	GP100	2-22
1LE22211CB113GA3	1800	3	GP100	2-23
1LE22211CB114AA3	1800	3	GP100	2-14
1LE22211CB114EA3	1800	3	GP100	2-16
1LE22211CB114GA3	1800	3	GP100	2-17
1LE22211CB313AA3	1800	5	GP100	2-20
1LE22211CB313EA3	1800	5	GP100	2-22
1LE22211CB313GA3	1800	5	GP100	2-23
1LE22211CB314AA3	1800	5	GP100	2-14
1LE22211CB314EA3	1800	5	GP100	2-16
1LE22211CB314GA3	1800	5	GP100	2-17
1LE22211CC113AA3	1200	1.5	GP100	2-20
1LE22211CC113EA3	1200	1.5	GP100	2-22
1LE22211CC113GA3	1200	1.5	GP100	2-23
1LE22211CC114AA3	1200	1.5	GP100	2-14
1LE22211CC114EA3	1200	1.5	GP100	2-16
1LE22211CC114GA3	1200	1.5	GP100	2-17
1LE22211CC313AA3	1200	2	GP100	2-20
1LE22211CC313EA3	1200	2	GP100	2-22
1LE22211CC313GA3	1200	2	GP100	2-23
1LE22211CC314AA3	1200	2	GP100	2-14
1LE22211CC314EA3	1200	2	GP100	2-16
1LE22211CC314GA3	1200	2	GP100	2-17
1LE22211CD113AA3	900	1	GP100	2-20
1LE22211CD113EA3	900	1	GP100	2-22
1LE22211CD113GA3	900	1	GP100	2-23
1LE22211CD114AA3	900	1	GP100	2-14
1LE22211CD114EA3	900	1	GP100	2-16
1LE22211CD114GA3	900	1	GP100	2-17
1LE22211CD313AA3	900	1.5	GP100	2-20
1LE22211CD313EA3	900	1.5	GP100	2-22
1LE22211CD313GA3	900	1.5	GP100	2-23
1LE22211CD314AA3	900	1.5	GP100	2-14
1LE22211CD314EA3	900	1.5	GP100	2-16
1LE22211CD314GA3	900	1.5	GP100	2-17

# Part number index

## SIMOTICS NEMA motors

Part Number	HP	RPM	Type	Page	Part Number	HP	RPM	Type	Page
1LE22212AA113AA3	3600	7.5	GP100	2-20	1LE22212BA114AA3	3600	15	GP100	2-14
1LE22212AA113EA3	3600	7.5	GP100	2-22	1LE22212BA114EA3	3600	15	GP100	2-16
1LE22212AA113GA3	3600	7.5	GP100	2-23	1LE22212BA114GA3	3600	15	GP100	2-17
1LE22212AA114AA3	3600	7.5	GP100	2-14	1LE22212BA213AA3	3600	20	GP100	2-20
1LE22212AA114EA3	3600	7.5	GP100	2-16	1LE22212BA213EA3	3600	20	GP100	2-22
1LE22212AA114GA3	3600	7.5	GP100	2-17	1LE22212BA213GA3	3600	20	GP100	2-23
1LE22212AA213AA3	3600	10	GP100	2-20	1LE22212BA214AA3	3600	20	GP100	2-14
1LE22212AA213EA3	3600	10	GP100	2-22	1LE22212BA214EA3	3600	20	GP100	2-16
1LE22212AA213GA3	3600	10	GP100	2-23	1LE22212BA214GA3	3600	20	GP100	2-17
1LE22212AA214AA3	3600	10	GP100	2-14	1LE22212BB113AA3	1800	15	GP100	2-20
1LE22212AA214EA3	3600	10	GP100	2-16	1LE22212BB113EA3	1800	15	GP100	2-22
1LE22212AA214GA3	3600	10	GP100	2-17	1LE22212BB113GA3	1800	15	GP100	2-23
1LE22212AB113AA3	1800	7.5	GP100	2-20	1LE22212BB114AA3	1800	15	GP100	2-14
1LE22212AB113EA3	1800	7.5	GP100	2-22	1LE22212BB114EA3	1800	15	GP100	2-16
1LE22212AB113GA3	1800	7.5	GP100	2-23	1LE22212BB114GA3	1800	15	GP100	2-17
1LE22212AB114AA3	1800	7.5	GP100	2-14	1LE22212BB213AA3	1800	20	GP100	2-20
1LE22212AB114EA3	1800	7.5	GP100	2-16	1LE22212BB213EA3	1800	20	GP100	2-22
1LE22212AB114GA3	1800	7.5	GP100	2-17	1LE22212BB213GA3	1800	20	GP100	2-23
1LE22212AB213AA3	1800	10	GP100	2-20	1LE22212BB214AA3	1800	20	GP100	2-14
1LE22212AB213EA3	1800	10	GP100	2-22	1LE22212BB214EA3	1800	20	GP100	2-16
1LE22212AB213GA3	1800	10	GP100	2-23	1LE22212BB214GA3	1800	20	GP100	2-17
1LE22212AB214AA3	1800	10	GP100	2-14	1LE22212BC113AA3	1200	7.5	GP100	2-20
1LE22212AB214EA3	1800	10	GP100	2-16	1LE22212BC113EA3	1200	7.5	GP100	2-22
1LE22212AB214GA3	1800	10	GP100	2-17	1LE22212BC113GA3	1200	7.5	GP100	2-23
1LE22212AC113AA3	1200	3	GP100	2-20	1LE22212BC114AA3	1200	7.5	GP100	2-14
1LE22212AC113EA3	1200	3	GP100	2-22	1LE22212BC114EA3	1200	7.5	GP100	2-16
1LE22212AC113GA3	1200	3	GP100	2-23	1LE22212BC114GA3	1200	7.5	GP100	2-17
1LE22212AC114AA3	1200	3	GP100	2-14	1LE22212BC213AA3	1200	10	GP100	2-20
1LE22212AC114EA3	1200	3	GP100	2-16	1LE22212BC213EA3	1200	10	GP100	2-22
1LE22212AC114GA3	1200	3	GP100	2-17	1LE22212BC213GA3	1200	10	GP100	2-23
1LE22212AC213AA3	1200	5	GP100	2-20	1LE22212BC214AA3	1200	10	GP100	2-14
1LE22212AC213EA3	1200	5	GP100	2-22	1LE22212BC214EA3	1200	10	GP100	2-16
1LE22212AC213GA3	1200	5	GP100	2-23	1LE22212BC214GA3	1200	10	GP100	2-17
1LE22212AC214AA3	1200	5	GP100	2-14	1LE22212BD113AA3	900	5	GP100	2-20
1LE22212AC214EA3	1200	5	GP100	2-16	1LE22212BD113EA3	900	5	GP100	2-22
1LE22212AC214GA3	1200	5	GP100	2-17	1LE22212BD113GA3	900	5	GP100	2-23
1LE22212AD113AA3	900	2	GP100	2-20	1LE22212BD114AA3	900	5	GP100	2-14
1LE22212AD113EA3	900	2	GP100	2-22	1LE22212BD114EA3	900	5	GP100	2-16
1LE22212AD113GA3	900	2	GP100	2-23	1LE22212BD114GA3	900	5	GP100	2-17
1LE22212AD114AA3	900	2	GP100	2-14	1LE22212BD213AA3	900	7.5	GP100	2-20
1LE22212AD114EA3	900	2	GP100	2-16	1LE22212BD213EA3	900	7.5	GP100	2-22
1LE22212AD114GA3	900	2	GP100	2-17	1LE22212BD213GA3	900	7.5	GP100	2-23
1LE22212AD213AA3	900	3	GP100	2-20	1LE22212BD214AA3	900	7.5	GP100	2-14
1LE22212AD213EA3	900	3	GP100	2-22	1LE22212BD214EA3	900	7.5	GP100	2-16
1LE22212AD213GA3	900	3	GP100	2-23	1LE22212BD214GA3	900	7.5	GP100	2-17
1LE22212AD214AA3	900	3	GP100	2-14	1LE22212CB113AA3	1800	25	GP100	2-20
1LE22212AD214EA3	900	3	GP100	2-16	1LE22212CB116AA3	1800	25	GP100	2-14
1LE22212AD214GA3	900	3	GP100	2-17	1LE22212CB213AA3	1800	30	GP100	2-20
1LE22212BA113AA3	3600	15	GP100	2-20	1LE22212CB216AA3	1800	30	GP100	2-14
1LE22212BA113EA3	3600	15	GP100	2-22	1LE22212CC113AA3	1200	15	GP100	2-20
1LE22212BA113GA3	3600	15	GP100	2-23	1LE22212CC116AA3	1200	15	GP100	2-14

# Part number index

## SIMOTICS NEMA motors

Part Number	HP	RPM	Type	Page
1LE22212CC213AA3	1200	20	GP100	2-20
1LE22212CC216AA3	1200	20	GP100	2-14
1LE22212CD113AA3	900	10	GP100	2-20
1LE22212CD116AA3	900	10	GP100	2-14
1LE22212CD213AA3	900	15	GP100	2-20
1LE22212CD216AA3	900	15	GP100	2-14
1LE22212DA113AA3	3600	25	GP100	2-20
1LE22212DA116AA3	3600	25	GP100	2-14
1LE22212DA213AA3	3600	30	GP100	2-20
1LE22212DA216AA3	3600	30	GP100	2-14
1LE22213AB113AA3	1800	40	GP100	2-21
1LE22213AB116AA3	1800	40	GP100	2-15
1LE22213AB213AA3	1800	50	GP100	2-21
1LE22213AB216AA3	1800	50	GP100	2-15
1LE22213AC113AA3	1200	25	GP100	2-20
1LE22213AC116AA3	1200	25	GP100	2-14
1LE22213AC213AA3	1200	30	GP100	2-20
1LE22213AC216AA3	1200	30	GP100	2-14
1LE22213AD113AA3	900	20	GP100	2-20
1LE22213AD116AA3	900	20	GP100	2-14
1LE22213AD213AA3	900	25	GP100	2-20
1LE22213AD216AA3	900	25	GP100	2-14
1LE22213BA113AA3	3600	40	GP100	2-21
1LE22213BA116AA3	3600	40	GP100	2-15
1LE22213BA213AA3	3600	50	GP100	2-21
1LE22213BA216AA3	3600	50	GP100	2-15
1LE22213CB113AA3	1800	60	GP100	2-21
1LE22213CB116AA3	1800	60	GP100	2-15
1LE22213CB213AA3	1800	75	GP100	2-21
1LE22213CB216AA3	1800	75	GP100	2-15
1LE22213CC113AA3	1200	40	GP100	2-21
1LE22213CC116AA3	1200	40	GP100	2-15
1LE22213CC213AA3	1200	50	GP100	2-21
1LE22213CC216AA3	1200	50	GP100	2-15
1LE22213CD113AA3	900	30	GP100	2-20
1LE22213CD116AA3	900	30	GP100	2-14
1LE22213CD213AA3	900	40	GP100	2-21
1LE22213CD216AA3	900	40	GP100	2-15
1LE22213DA113AA3	3600	60	GP100	2-21
1LE22213DA116AA3	3600	60	GP100	2-15
1LE22213DA213AA3	3600	75	GP100	2-21
1LE22213DA216AA3	3600	75	GP100	2-15
1LE22214AB212AA3	1800	100	GP100	2-15
1LE22214AB213AA3	1800	100	GP100	2-21
1LE22214AC113AA3	1200	60	GP100	2-21
1LE22214AC116AA3	1200	60	GP100	2-15
1LE22214AC213AA3	1200	75	GP100	2-21
1LE22214AC216AA3	1200	75	GP100	2-15
1LE22214BA212AA3	3600	100	GP100	2-15
1LE22214BA213AA3	3600	100	GP100	2-21
1LE22214BB212AA3	1800	100	GP100	2-15

Part Number	HP	RPM	Type	Page
1LE22214CB112AA3	1800	125	GP100	2-15
1LE22214CB113AA3	1800	125	GP100	2-21
1LE22214CB212AA3	1800	150	GP100	2-15
1LE22214CB213AA3	1800	150	GP100	2-21
1LE22214CB312AA3	1800	200	GP100	2-15
1LE22214CB313AA3	1800	200	GP100	2-21
1LE22214CC112AA3	1200	100	GP100	2-15
1LE22214CC113AA3	1200	100	GP100	2-21
1LE22214CC212AA3	1200	125	GP100	2-15
1LE22214CC213AA3	1200	125	GP100	2-21
1LE22214CC312AA3	1200	150	GP100	2-15
1LE22214CC313AA3	1200	150	GP100	2-21
1LE22214CC512AA3	1200	200	GP100	2-15
1LE22214CC513AA3	1200	200	GP100	2-21
1LE22214DA112AA3	3600	125	GP100	2-15
1LE22214DA113AA3	3600	125	GP100	2-21
1LE22214DA212AA3	3600	150	GP100	2-15
1LE22214DA213AA3	3600	150	GP100	2-21
1LE22214DA312AA3	3600	200	GP100	2-15
1LE22214DA313AA3	3600	200	GP100	2-21
1LE22214DB112AA3	1800	125	GP100	2-15
1LE22214DB113AA3	1800	125	GP100	2-21
1LE22214DB212AA3	1800	150	GP100	2-15
1LE22214DB213AA3	1800	150	GP100	2-21
1LE22214DB312AA3	1800	200	GP100	2-15
1LE22214DB313AA3	1800	200	GP100	2-21
1LE22214DC112AA3	1200	100	GP100	2-15
1LE22214DC212AA3	1200	125	GP100	2-15
1LE22214DC213AA3	1200	125	GP100	2-21
1LE22214DC312AA3	1200	150	GP100	2-15
1LE22214DC313AA3	1200	150	GP100	2-21
1LE22214DC512AA3	1200	200	GP100	2-15
1LE22214DC513AA3	1200	200	GP100	2-21
1LE22214EB112AA3	1800	125	GP100	2-15
1LE22214EB113AA3	1800	125	GP100	2-21
1LE22214EB212AA3	1800	150	GP100	2-15
1LE22214EB213AA3	1800	150	GP100	2-21
1LE22214EB312AA3	1800	200	GP100	2-15
1LE22214EB313AA3	1800	200	GP100	2-21
1LE22214EC212AA3	1200	125	GP100	2-15
1LE22214EC213AA3	1200	125	GP100	2-21
1LE22214EC312AA3	1200	150	GP100	2-15
1LE22214EC313AA3	1200	150	GP100	2-21
1LE22214EC512AA3	1200	200	GP100	2-15
1LE22214EC513AA3	1200	200	GP100	2-21
1LE23011AM240AA3	1800/900	1 / 0.25	SD10 MS	2-84
1LE23011AM340AA3	1800/900	1.5 / 0.37	SD10 MS	2-84
1LE23011CM140AA3	1800/900	2 / 0.5	SD10 MS	2-84
1LE23011CM340AA3	1800/900	3 / 0.75	SD10 MS	2-84
1LE23011CM440AA3	1800/900	5 / 1.2	SD10 MS	2-84
1LE23012AM140AA3	1800/900	5 / 1.2	SD10 MS	2-84

# Part number index

## SIMOTICS NEMA motors

Part Number	HP	RPM	Type	Page
1LE23012AM240AA3	1800/900	7.5 / 1.9	SD10 MS	2-84
1LE23012BM140AA3	1800/900	10 / 2.5	SD10 MS	2-84
1LE23012BM240AA3	1800/900	15 / 3.7	SD10 MS	2-84
1LE23012CM140AA3	1800/900	20 / 5	SD10 MS	2-84
1LE23012CM140AA3	1800/900	20 / 5	SD10 MS	2-84
1LE23012CM240AA3	1800/900	25 / 6.2	SD10 MS	2-84
1LE23012CM244AA3	1800/900	25 / 6.2	SD10 MS	2-62
1LE23013AM140AA3	1800/900	30 / 7.5	SD10 MS	2-84
1LE23013AM144AA3	1800/900	30 / 7.5	SD10 MS	2-62
1LE23013AM240AA3	1800/900	40 / 10	SD10 MS	2-84
1LE23013AM244AA3	1800/900	40 / 10	SD10 MS	2-62
1LE23013CM140AA3	1800/900	50 / 12	SD10 MS	2-84
1LE23013CM144AA3	1800/900	50 / 12	SD10 MS	2-62
1LE23013CM240AA3	1800/900	60 / 15	SD10 MS	2-84
1LE23013CM244AA3	1800/900	60 / 15	SD10 MS	2-62
1LE23014AM240AA3	1800/900	75 / 19	SD10 MS	2-84
1LE23014AM244AA3	1800/900	75 / 19	SD10 MS	2-62
1LE23014CM140AA3	1800/900	100 / 25	SD10 MS	2-84
1LE23014CM240AA3	1800/900	125 / 31	SD10 MS	2-84
1LE23014CM340AA3	1800/900	150 / 37	SD10 MS	2-84
1LE23014CM540AA3	1800/900	200 / 50	SD10 MS	2-84
1LE23014CM640AA3	1800/900	250 / 62.5	SD10 MS	2-84
1LE23014DM140AA3	1800/900	100 / 25	SD10 MS	2-84
1LE23014DM144AA3	1800/900	100 / 25	SD10 MS	2-84
1LE23014DM240AA3	1800/900	125 / 31	SD10 MS	2-84
1LE23014DM244AA3	1800/900	125 / 31	SD10 MS	2-62
1LE23014DM340AA3	1800/900	150 / 37	SD10 MS	2-84
1LE23014DM344AA3	1800/900	150 / 37	SD10 MS	2-62
1LE23014DM540AA3	1800/900	200 / 50	SD10 MS	2-84
1LE23014DM544AA3	1800/900	200 / 50	SD10 MS	2-62
1LE23014DM640AA3	1800/900	250 / 62.5	SD10 MS	2-84
1LE23014DM644AA3	1800/900	250 / 62.5	SD10 MS	2-62
1LE23014EM140AA3	1800/900	100 / 25	SD10 MS	2-84
1LE23014EM144AA3	1800/900	100 / 25	SD10 MS	2-84
1LE23014EM240AA3	1800/900	125 / 31	SD10 MS	2-84
1LE23014EM244AA3	1800/900	125 / 31	SD10 MS	2-62
1LE23014EM340AA3	1800/900	150 / 37	SD10 MS	2-84
1LE23014EM344AA3	1800/900	150 / 37	SD10 MS	2-62
1LE23014EM540AA3	1800/900	200 / 50	SD10 MS	2-84
1LE23014EM544AA3	1800/900	200 / 50	SD10 MS	2-62
1LE23014EM640AA3	1800/900	250 / 62.5	SD10 MS	2-84
1LE23014EM644AA3	1800/900	250 / 62.5	SD10 MS	2-62
1LE23111AA214AA3	3600	1.5	SD100	2-32
1LE23111AA214GA3	3600	1.5	SD100	2-33
1LE23111AA314AA3	3600	2	SD100	2-32
1LE23111AA314GA3	3600	2	SD100	2-33
1LE23111AB214AA3	1800	1	SD100	2-32
1LE23111AB214GA3	1800	1	SD100	2-33
1LE23111AB314AA3	1800	1.5	SD100	2-32
1LE23111AB314GA3	1800	1.5	SD100	2-33
1LE23111AB414AA3	1800	2	SD100	2-32

Part Number	HP	RPM	Type	Page
1LE23111AB414GA3	1800	2	SD100	2-33
1LE23111AC314AA3	1200	1	SD100	2-32
1LE23111AC314GA3	1200	1	SD100	2-33
1LE23111CA114AA3	3600	3	SD100	2-32
1LE23111CA114GA3	3600	3	SD100	2-33
1LE23111CA314AA3	3600	5	SD100	2-32
1LE23111CA314GA3	3600	5	SD100	2-33
1LE23111CB114AA3	1800	3	SD100	2-32
1LE23111CB114GA3	1800	3	SD100	2-33
1LE23111CB314AA3	1800	5	SD100	2-32
1LE23111CB314GA3	1800	5	SD100	2-33
1LE23112AA114AA3	3600	7.5	SD100	2-32
1LE23112AA114GA3	3600	7.5	SD100	2-32
1LE23112AA214AA3	3600	10	SD100	2-32
1LE23112AA214GA3	3600	10	SD100	2-32
1LE23112AB114AA3	1800	7.5	SD100	2-32
1LE23112AB114GA3	1800	7.5	SD100	2-32
1LE23112AB214AA3	1800	10	SD100	2-32
1LE23112AB214GA3	1800	10	SD100	2-32
1LE23112AC114AA3	1200	3	SD100	2-32
1LE23112AC114GA3	1200	3	SD100	2-33
1LE23112AC214AA3	1200	5	SD100	2-32
1LE23112AC214GA3	1200	5	SD100	2-33
1LE23112BA114AA3	3600	15	SD100	2-32
1LE23112BA114GA3	3600	15	SD100	2-32
1LE23112BA214AA3	3600	20	SD100	2-32
1LE23112BA214GA3	3600	20	SD100	2-32
1LE23112BB114AA3	1800	15	SD100	2-32
1LE23112BB114GA3	1800	15	SD100	2-32
1LE23112BB214AA3	1800	20	SD100	2-32
1LE23112BB214GA3	1800	20	SD100	2-32
1LE23112BC114AA3	1200	7.5	SD100	2-32
1LE23112BC114GA3	1200	7.5	SD100	2-32
1LE23112BC214AA3	1200	10	SD100	2-32
1LE23112BC214GA3	1200	10	SD100	2-32
1LE23211AA113AA3	3600	1	SD100	2-31
1LE23211AA113GA3	3600	1	SD100	2-37
1LE23211AA114AA3	3600	1	SD100	2-28
1LE23211AA114GA3	3600	1	SD100	2-31
1LE23211AA213AA3	3600	1.5	SD100	2-34
1LE23211AA213GA3	3600	1.5	SD100	2-37
1LE23211AA214AA3	3600	1.5	SD100	2-28
1LE23211AA214GA3	3600	1.5	SD100	2-31
1LE23211AA313AA3	3600	2	SD100	2-34
1LE23211AA313GA3	3600	2	SD100	2-37
1LE23211AA314AA3	3600	2	SD100	2-28
1LE23211AA314GA3	3600	2	SD100	2-31
1LE23211AB213AA3	1800	1	SD100	2-34
1LE23211AB213GA3	1800	1	SD100	2-37
1LE23211AB214AA3	1800	1	SD100	2-28
1LE23211AB214GA3	1800	1	SD100	2-31

# Part number index

## SIMOTICS NEMA motors

Part Number	HP	RPM	Type	Page
1LE23211AB313AA3	1800	1.5	SD100	2-34
1LE23211AB313GA3	1800	1.5	SD100	2-37
1LE23211AB314AA3	1800	1.5	SD100	2-28
1LE23211AB314GA3	1800	1.5	SD100	2-31
1LE23211AB413AA3	1800	2	SD100	2-34
1LE23211AB413GA3	1800	2	SD100	2-37
1LE23211AB414AA3	1800	2	SD100	2-28
1LE23211AB414GA3	1800	2	SD100	2-31
1LE23211AC313AA3	1200	1	SD100	2-34
1LE23211AC313GA3	1200	1	SD100	2-37
1LE23211AC314AA3	1200	1	SD100	2-28
1LE23211AC314GA3	1200	1	SD100	2-31
1LE23211CA113AA3	3600	3	SD100	2-34
1LE23211CA113GA3	3600	3	SD100	2-37
1LE23211CA114AA3	3600	3	SD100	2-28
1LE23211CA114GA3	3600	3	SD100	2-31
1LE23211CA313AA3	3600	5	SD100	2-34
1LE23211CA313GA3	3600	5	SD100	2-37
1LE23211CA314AA3	3600	5	SD100	2-28
1LE23211CA314GA3	3600	5	SD100	2-31
1LE23211CB113AA3	1800	3	SD100	2-34
1LE23211CB113GA3	1800	3	SD100	2-37
1LE23211CB114AA3	1800	3	SD100	2-28
1LE23211CB114GA3	1800	3	SD100	2-31
1LE23211CB313AA3	1800	5	SD100	2-34
1LE23211CB313GA3	1800	5	SD100	2-37
1LE23211CB314AA3	1800	5	SD100	2-28
1LE23211CB314GA3	1800	5	SD100	2-31
1LE23211CC113AA3	1200	1.5	SD100	2-34
1LE23211CC113GA3	1200	1.5	SD100	2-37
1LE23211CC114AA3	1200	1.5	SD100	2-28
1LE23211CC114GA3	1200	1.5	SD100	2-31
1LE23211CC313AA3	1200	2	SD100	2-34
1LE23211CC313GA3	1200	2	SD100	2-37
1LE23211CC314AA3	1200	2	SD100	2-28
1LE23211CC314GA3	1200	2	SD100	2-31
1LE23211CD113AA3	900	1	SD100	2-34
1LE23211CD113GA3	900	1	SD100	2-37
1LE23211CD114AA3	900	1	SD100	2-28
1LE23211CD114GA3	900	1	SD100	2-31
1LE23211CD313AA3	900	1.5	SD100	2-34
1LE23211CD313GA3	900	1.5	SD100	2-37
1LE23211CD314AA3	900	1.5	SD100	2-28
1LE23211CD314GA3	900	1.5	SD100	2-31
1LE23212AA113AA3	3600	7.5	SD100	2-34
1LE23212AA113GA3	3600	7.5	SD100	2-37
1LE23212AA114AA3	3600	7.5	SD100	2-28
1LE23212AA114GA3	3600	7.5	SD100	2-31
1LE23212AA213AA3	3600	10	SD100	2-34
1LE23212AA213GA3	3600	10	SD100	2-37
1LE23212AA214AA3	3600	10	SD100	2-28

Part Number	HP	RPM	Type	Page
1LE23212AA214GA3	3600	10	SD100	2-31
1LE23212AB113AA3	1800	7.5	SD100	2-34
1LE23212AB113GA3	1800	7.5	SD100	2-37
1LE23212AB114AA3	1800	7.5	SD100	2-28
1LE23212AB114GA3	1800	7.5	SD100	2-31
1LE23212AB213AA3	1800	10	SD100	2-34
1LE23212AB213GA3	1800	10	SD100	2-37
1LE23212AB214AA3	1800	10	SD100	2-28
1LE23212AB214GA3	1800	10	SD100	2-31
1LE23212AC113AA3	1200	3	SD100	2-34
1LE23212AC113GA3	1200	3	SD100	2-37
1LE23212AC114AA3	1200	3	SD100	2-28
1LE23212AC114GA3	1200	3	SD100	2-31
1LE23212AC213AA3	1200	5	SD100	2-34
1LE23212AC213GA3	1200	5	SD100	2-37
1LE23212AC214AA3	1200	5	SD100	2-28
1LE23212AC214GA3	1200	5	SD100	2-31
1LE23212AD113AA3	900	2	SD100	2-34
1LE23212AD113GA3	900	2	SD100	2-37
1LE23212AD114AA3	900	2	SD100	2-28
1LE23212AD114GA3	900	2	SD100	2-31
1LE23212AD213AA3	900	3	SD100	2-34
1LE23212AD213GA3	900	3	SD100	2-37
1LE23212AD214AA3	900	3	SD100	2-28
1LE23212AD214GA3	900	3	SD100	2-31
1LE23212BA113AA3	3600	15	SD100	2-34
1LE23212BA113GA3	3600	15	SD100	2-37
1LE23212BA114AA3	3600	15	SD100	2-28
1LE23212BA114GA3	3600	15	SD100	2-31
1LE23212BA213AA3	3600	20	SD100	2-34
1LE23212BA213GA3	3600	20	SD100	2-37
1LE23212BA214AA3	3600	20	SD100	2-28
1LE23212BA214GA3	3600	20	SD100	2-31
1LE23212BB113AA3	1800	15	SD100	2-34
1LE23212BB113GA3	1800	15	SD100	2-37
1LE23212BB114AA3	1800	15	SD100	2-28
1LE23212BB114GA3	1800	15	SD100	2-31
1LE23212BB213AA3	1800	20	SD100	2-34
1LE23212BB213GA3	1800	20	SD100	2-37
1LE23212BB214AA3	1800	20	SD100	2-28
1LE23212BB214GA3	1800	20	SD100	2-31
1LE23212BC113AA3	1200	7.5	SD100	2-34
1LE23212BC113GA3	1200	7.5	SD100	2-37
1LE23212BC114AA3	1200	7.5	SD100	2-28
1LE23212BC114GA3	1200	7.5	SD100	2-31
1LE23212BC213AA3	1200	10	SD100	2-34
1LE23212BC213GA3	1200	10	SD100	2-37
1LE23212BC214AA3	1200	10	SD100	2-28
1LE23212BC214GA3	1200	10	SD100	2-31
1LE23212BD113AA3	900	5	SD100	2-34
1LE23212BD113GA3	900	5	SD100	2-37

# Part number index

## SIMOTICS NEMA motors

Part Number	HP	RPM	Type	Page
1LE23212BD114AA3	900	5	SD100	2-28
1LE23212BD114GA3	900	5	SD100	2-31
1LE23212BD213AA3	900	7.5	SD100	2-34
1LE23212BD213GA3	900	7.5	SD100	2-37
1LE23212BD214AA3	900	7.5	SD100	2-28
1LE23212BD214GA3	900	7.5	SD100	2-31
1LE23212CB112AA3	1800	25	SD100	2-28
1LE23212CB113AA3	1800	25	SD100	2-34
1LE23212CB212AA3	1800	30	SD100	2-28
1LE23212CB213AA3	1800	30	SD100	2-34
1LE23212CC113AA3	1200	15	SD100	2-34
1LE23212CC116AA3	1200	15	SD100	2-28
1LE23212CC213AA3	1200	20	SD100	2-34
1LE23212CC216AA3	1200	20	SD100	2-28
1LE23212CD113AA3	900	10	SD100	2-34
1LE23212CD116AA3	900	10	SD100	2-28
1LE23212CD213AA3	900	15	SD100	2-34
1LE23212CD216AA3	900	15	SD100	2-28
1LE23212DA112AA3	3600	25	SD100	2-28
1LE23212DA113AA3	3600	25	SD100	2-34
1LE23212DA212AA3	3600	30	SD100	2-28
1LE23212DA213AA3	3600	30	SD100	2-34
1LE23212DB112AA3	1800	25	SD100	2-28
1LE23212DB113AA3	1800	25	SD100	2-34
1LE23212DB212AA3	1800	30	SD100	2-28
1LE23212DB213AA3	1800	30	SD100	2-34
1LE23213AB112AA3	1800	40	SD100	2-29
1LE23213AB113AA3	1800	40	SD100	2-35
1LE23213AB212AA3	1800	50	SD100	2-29
1LE23213AB213AA3	1800	50	SD100	2-35
1LE23213AC112AA3	1200	25	SD100	2-28
1LE23213AC113AA3	1200	25	SD100	2-34
1LE23213AC212AA3	1200	30	SD100	2-28
1LE23213AC213AA3	1200	30	SD100	2-34
1LE23213AD113AA3	900	20	SD100	2-34
1LE23213AD116AA3	900	20	SD100	2-28
1LE23213AD212AA3	900	25	SD100	2-28
1LE23213AD213AA3	900	25	SD100	2-34
1LE23213BA112AA3	3600	40	SD100	2-29
1LE23213BA113AA3	3600	40	SD100	2-35
1LE23213BA212AA3	3600	50	SD100	2-29
1LE23213BA213AA3	3600	50	SD100	2-35
1LE23213BB112AA3	1800	40	SD100	2-29
1LE23213BB113AA3	1800	40	SD100	2-35
1LE23213BB212AA3	1800	50	SD100	2-29
1LE23213BB213AA3	1800	50	SD100	2-35
1LE23213CB112AA3	1800	60	SD100	2-29
1LE23213CB113AA3	1800	60	SD100	2-35
1LE23213CB212AA3	1800	75	SD100	2-29
1LE23213CB213AA3	1800	75	SD100	2-35
1LE23213CC112AA3	1200	40	SD100	2-29

Part Number	HP	RPM	Type	Page
1LE23213CC113AA3	1200	40	SD100	2-35
1LE23213CC212AA3	1200	50	SD100	2-29
1LE23213CC213AA3	1200	50	SD100	2-35
1LE23213CD112AA3	900	30	SD100	2-28
1LE23213CD113AA3	900	30	SD100	2-34
1LE23213CD212AA3	900	40	SD100	2-29
1LE23213CD213AA3	900	40	SD100	2-35
1LE23213DA112AA3	3600	60	SD100	2-29
1LE23213DA113AA3	3600	60	SD100	2-35
1LE23213DA212AA3	3600	75	SD100	2-29
1LE23213DA213AA3	3600	75	SD100	2-35
1LE23213DB112AA3	1800	60	SD100	2-29
1LE23213DB113AA3	1800	60	SD100	2-35
1LE23213DB212AA3	1800	75	SD100	2-29
1LE23213DB213AA3	1800	75	SD100	2-35
1LE23214AB212AA3	1800	100	SD100	2-29
1LE23214AB213AA3	1800	100	SD100	2-35
1LE23214AC112AA3	1200	60	SD100	2-29
1LE23214AC113AA3	1200	60	SD100	2-35
1LE23214AC212AA3	1200	75	SD100	2-29
1LE23214AC213AA3	1200	75	SD100	2-35
1LE23214AD112AA3	900	50	SD100	2-29
1LE23214AD113AA3	900	50	SD100	2-35
1LE23214AD212AA3	900	60	SD100	2-29
1LE23214AD213AA3	900	60	SD100	2-35
1LE23214BA212AA3	3600	100	SD100	2-29
1LE23214BA213AA3	3600	100	SD100	2-35
1LE23214BB212AA3	1800	100	SD100	2-29
1LE23214BB213AA3	1800	100	SD100	2-35
1LE23214CB112AA3	1800	125	SD100	2-29
1LE23214CB113AA3	1800	125	SD100	2-35
1LE23214CB212AA3	1800	150	SD100	2-30
1LE23214CB213AA3	1800	150	SD100	2-36
1LE23214CB312AA3	1800	200	SD100	2-30
1LE23214CB313AA3	1800	200	SD100	2-36
1LE23214CB512AA3	1800	250	SD100	2-30
1LE23214CB513AA3	1800	250	SD100	2-36
1LE23214CB612AA3	1800	300	SD100	2-30
1LE23214CB613AA3	1800	300	SD100	2-36
1LE23214CC112AA3	1200	100	SD100	2-29
1LE23214CC113AA3	1200	100	SD100	2-35
1LE23214CC212AA3	1200	125	SD100	2-29
1LE23214CC213AA3	1200	125	SD100	2-35
1LE23214CC312AA3	1200	150	SD100	2-30
1LE23214CC313AA3	1200	150	SD100	2-36
1LE23214CC512AA3	1200	200	SD100	2-30
1LE23214CC513AA3	1200	200	SD100	2-36
1LE23214CC612AA3	1200	250	SD100	2-30
1LE23214CC613AA3	1200	250	SD100	2-36
1LE23214CD112AA3	900	75	SD100	2-29
1LE23214CD113AA3	900	75	SD100	2-35



# Part number index

## SIMOTICS NEMA motors

Part Number	HP	RPM	Type	Page
1LE23214CD212AA3	900	100	SD100	2-29
1LE23214CD213AA3	900	100	SD100	2-35
1LE23214CD312AA3	900	125	SD100	2-29
1LE23214CD313AA3	900	125	SD100	2-35
1LE23214CD412AA3	900	150	SD100	2-30
1LE23214CD413AA3	900	150	SD100	2-36
1LE23214DA112AA3	3600	125	SD100	2-29
1LE23214DA113AA3	3600	125	SD100	2-35
1LE23214DA212AA3	3600	150	SD100	2-30
1LE23214DA213AA3	3600	150	SD100	2-36
1LE23214DA312AA3	3600	200	SD100	2-30
1LE23214DA313AA3	3600	200	SD100	2-36
1LE23214DA512AA3	3600	250	SD100	2-30
1LE23214DA513AA3	3600	250	SD100	2-36
1LE23214DA612AA3	3600	300	SD100	2-30
1LE23214DA613AA3	3600	300	SD100	2-36
1LE23214DB112AA3	1800	125	SD100	2-29
1LE23214DB113AA3	1800	125	SD100	2-35
1LE23214DB212AA3	1800	150	SD100	2-30
1LE23214DB213AA3	1800	150	SD100	2-36
1LE23214DB312AA3	1800	200	SD100	2-30
1LE23214DB313AA3	1800	200	SD100	2-36
1LE23214DB512AA3	1800	250	SD100	2-30
1LE23214DB513AA3	1800	250	SD100	2-36
1LE23214DB612AA3	1800	300	SD100	2-30
1LE23214DB613AA3	1800	300	SD100	2-36
1LE23214DC112AA3	1200	100	SD100	2-29
1LE23214DC113AA3	1200	100	SD100	2-35
1LE23214DC212AA3	1200	125	SD100	2-29
1LE23214DC213AA3	1200	125	SD100	2-35
1LE23214DC312AA3	1200	150	SD100	2-30
1LE23214DC313AA3	1200	150	SD100	2-36
1LE23214DC512AA3	1200	200	SD100	2-30
1LE23214DC513AA3	1200	200	SD100	2-36
1LE23214DC612AA3	1200	250	SD100	2-30
1LE23214DC613AA3	1200	250	SD100	2-36
1LE23214DD112AA3	900	75	SD100	2-29
1LE23214DD113AA3	900	75	SD100	2-35
1LE23214DD212AA3	900	100	SD100	2-29
1LE23214DD213AA3	900	100	SD100	2-35
1LE23214DD312AA3	900	125	SD100	2-29
1LE23214DD313AA3	900	125	SD100	2-35
1LE23214DD412AA3	900	150	SD100	2-30
1LE23214DD413AA3	900	150	SD100	2-36
1LE23214EB112AA3	1800	125	SD100	2-29
1LE23214EB113AA3	1800	125	SD100	2-35
1LE23214EB212AA3	1800	150	SD100	2-30
1LE23214EB213AA3	1800	150	SD100	2-36
1LE23214EB312AA3	1800	200	SD100	2-30
1LE23214EB313AA3	1800	200	SD100	2-36
1LE23214EB512AA3	1800	250	SD100	2-30

Part Number	HP	RPM	Type	Page
1LE23214EB513AA3	1800	250	SD100	2-36
1LE23214EB612AA3	1800	300	SD100	2-30
1LE23214EB613AA3	1800	300	SD100	2-36
1LE23214EC112AA3	1200	100	SD100	2-29
1LE23214EC113AA3	1200	100	SD100	2-35
1LE23214EC212AA3	1200	125	SD100	2-29
1LE23214EC213AA3	1200	125	SD100	2-35
1LE23214EC312AA3	1200	150	SD100	2-30
1LE23214EC313AA3	1200	150	SD100	2-36
1LE23214EC512AA3	1200	200	SD100	2-30
1LE23214EC513AA3	1200	200	SD100	2-36
1LE23214EC612AA3	1200	250	SD100	2-30
1LE23214EC613AA3	1200	250	SD100	2-36
1LE23214ED112AA3	900	75	SD100	2-29
1LE23214ED113AA3	900	75	SD100	2-35
1LE23214ED212AA3	900	100	SD100	2-29
1LE23214ED213AA3	900	100	SD100	2-35
1LE23214ED312AA3	900	125	SD100	2-29
1LE23214ED313AA3	900	125	SD100	2-35
1LE23214ED412AA3	900	150	SD100	2-30
1LE23214ED413AA3	900	150	SD100	2-36
1LE23214FB212AA3	1800	350	SD100	2-30
1LE23214FB213AA3	1800	350	SD100	2-36
1LE23214FB312AA3	1800	400	SD100	2-30
1LE23214FB313AA3	1800	400	SD100	2-36
1LE23214FC112AA3	1200	300	SD100	2-30
1LE23214FC113AA3	1200	300	SD100	2-36
1LE23214FD112AA3	900	200	SD100	2-30
1LE23214FD113AA3	900	200	SD100	2-36
1LE23214FD212AA3	900	250	SD100	2-30
1LE23214FD213AA3	900	250	SD100	2-36
1LE23214GA112AA3	3600	350	SD100	2-30
1LE23214GA113AA3	3600	350	SD100	2-36
1LE23214GA312AA3	3600	400	SD100	2-30
1LE23214GA313AA3	3600	400	SD100	2-36
1LE23214GB212AA3	1800	350	SD100	2-30
1LE23214GB213AA3	1800	350	SD100	2-36
1LE23214GB312AA3	1800	400	SD100	2-30
1LE23214GB313AA3	1800	400	SD100	2-36
1LE23214GD112AA3	900	200	SD100	2-30
1LE23214GD113AA3	900	200	SD100	2-36
1LE24111AA212AA3	3600	1.5	SD100 IEEEE841	2-51
1LE24111AA312AA3	3600	2	SD100 IEEEE841	2-51
1LE24111AB212AA3	1800	1	SD100 IEEEE841	2-51
1LE24111AB312AA3	1800	1.5	SD100 IEEEE841	2-51
1LE24111AB412AA3	1800	2	SD100 IEEEE841	2-51
1LE24111AC312AA3	1200	1	SD100 IEEEE841	2-51
1LE24111CA112AA3	3600	3	SD100 IEEEE841	2-51
1LE24111CA312AA3	3600	5	SD100 IEEEE841	2-51
1LE24111CB112AA3	1800	3	SD100 IEEEE841	2-51
1LE24111CB312AA3	1800	5	SD100 IEEEE841	2-51

# Part number index

## SIMOTICS NEMA motors

Part Number	HP	RPM	Type	Page
1LE24112AA112AA3	3600	7.5	SD100 IEEEE841	2-51
1LE24112AA212AA3	3600	10	SD100 IEEEE841	2-51
1LE24112AB112AA3	1800	7.5	SD100 IEEEE841	2-51
1LE24112AB212AA3	1800	10	SD100 IEEEE841	2-51
1LE24112AC112AA3	1200	3	SD100 IEEEE841	2-51
1LE24112AC212AA3	1200	5	SD100 IEEEE841	2-51
1LE24112BA112AA3	3600	15	SD100 IEEEE841	2-51
1LE24112BA212AA3	3600	20	SD100 IEEEE841	2-51
1LE24112BB112AA3	1800	15	SD100 IEEEE841	2-51
1LE24112BB212AA3	1800	20	SD100 IEEEE841	2-51
1LE24112BC112AA3	1200	7.5	SD100 IEEEE841	2-51
1LE24112BC212AA3	1200	10	SD100 IEEEE841	2-51
1LE24211AA112AA3	3600	1	SD100 IEEEE841	2-46
1LE24211AA112GA3	3600	1	SD100 IEEEE841	2-50
1LE24211AA113AA3	3600	1	SD100 IEEEE841	2-52
1LE24211AA113GA3	3600	1	SD100 IEEEE841	2-56
1LE24211AA212AA3	3600	1.5	SD100 IEEEE841	2-46
1LE24211AA212GA3	3600	1.5	SD100 IEEEE841	2-50
1LE24211AA213AA3	3600	1.5	SD100 IEEEE841	2-52
1LE24211AA213GA3	3600	1.5	SD100 IEEEE841	2-56
1LE24211AA312AA3	3600	2	SD100 IEEEE841	2-46
1LE24211AA312GA3	3600	2	SD100 IEEEE841	2-50
1LE24211AA313AA3	3600	2	SD100 IEEEE841	2-52
1LE24211AA313GA3	3600	2	SD100 IEEEE841	2-56
1LE24211AB212AA3	1800	1	SD100 IEEEE841	2-46
1LE24211AB212GA3	1800	1	SD100 IEEEE841	2-50
1LE24211AB213AA3	1800	1	SD100 IEEEE841	2-52
1LE24211AB213GA3	1800	1	SD100 IEEEE841	2-56
1LE24211AB312AA3	1800	1.5	SD100 IEEEE841	2-46
1LE24211AB312GA3	1800	1.5	SD100 IEEEE841	2-50
1LE24211AB313AA3	1800	1.5	SD100 IEEEE841	2-52
1LE24211AB313GA3	1800	1.5	SD100 IEEEE841	2-56
1LE24211AB412AA3	1800	2	SD100 IEEEE841	2-46
1LE24211AB412GA3	1800	2	SD100 IEEEE841	2-50
1LE24211AB413AA3	1800	2	SD100 IEEEE841	2-52
1LE24211AB413GA3	1800	2	SD100 IEEEE841	2-56
1LE24211AC312AA3	1200	1	SD100 IEEEE841	2-46
1LE24211AC313AA3	1200	1	SD100 IEEEE841	2-52
1LE24211CA112AA3	3600	3	SD100 IEEEE841	2-46
1LE24211CA112GA3	3600	3	SD100 IEEEE841	2-50
1LE24211CA113AA3	3600	3	SD100 IEEEE841	2-52
1LE24211CA113GA3	3600	3	SD100 IEEEE841	2-56
1LE24211CA312AA3	3600	5	SD100 IEEEE841	2-46
1LE24211CA312GA3	3600	5	SD100 IEEEE841	2-50
1LE24211CA313AA3	3600	5	SD100 IEEEE841	2-52
1LE24211CA313GA3	3600	5	SD100 IEEEE841	2-56
1LE24211CB112AA3	1800	3	SD100 IEEEE841	2-46
1LE24211CB112GA3	1800	3	SD100 IEEEE841	2-50
1LE24211CB113AA3	1800	3	SD100 IEEEE841	2-52
1LE24211CB113GA3	1800	3	SD100 IEEEE841	2-56
1LE24211CB312AA3	1800	5	SD100 IEEEE841	2-46

Part Number	HP	RPM	Type	Page
1LE24211CB312GA3	1800	5	SD100 IEEEE841	2-50
1LE24211CB313AA3	1800	5	SD100 IEEEE841	2-52
1LE24211CB313GA3	1800	5	SD100 IEEEE841	2-56
1LE24211CC112AA3	1200	1.5	SD100 IEEEE841	2-46
1LE24211CC113AA3	1200	1.5	SD100 IEEEE841	2-52
1LE24211CC312AA3	1200	2	SD100 IEEEE841	2-46
1LE24211CC313AA3	1200	2	SD100 IEEEE841	2-52
1LE24211CD112AA3	900	1	SD100 IEEEE841	2-46
1LE24211CD113AA3	900	1	SD100 IEEEE841	2-52
1LE24211CD312AA3	900	1.5	SD100 IEEEE841	2-46
1LE24211CD313AA3	900	1.5	SD100 IEEEE841	2-52
1LE24212AA112AA3	3600	7.5	SD100 IEEEE841	2-46
1LE24212AA112GA3	3600	7.5	SD100 IEEEE841	2-50
1LE24212AA113AA3	3600	7.5	SD100 IEEEE841	2-52
1LE24212AA113GA3	3600	7.5	SD100 IEEEE841	2-56
1LE24212AA212AA3	3600	10	SD100 IEEEE841	2-46
1LE24212AA212GA3	3600	10	SD100 IEEEE841	2-50
1LE24212AA213AA3	3600	10	SD100 IEEEE841	2-52
1LE24212AA213GA3	3600	10	SD100 IEEEE841	2-56
1LE24212AB112AA3	1800	7.5	SD100 IEEEE841	2-46
1LE24212AB112GA3	1800	7.5	SD100 IEEEE841	2-50
1LE24212AB113AA3	1800	7.5	SD100 IEEEE841	2-52
1LE24212AB113GA3	1800	7.5	SD100 IEEEE841	2-56
1LE24212AB212AA3	1800	10	SD100 IEEEE841	2-46
1LE24212AB212GA3	1800	10	SD100 IEEEE841	2-50
1LE24212AB213AA3	1800	10	SD100 IEEEE841	2-52
1LE24212AB213GA3	1800	10	SD100 IEEEE841	2-56
1LE24212AC112AA3	1200	3	SD100 IEEEE841	2-46
1LE24212AC113AA3	1200	3	SD100 IEEEE841	2-52
1LE24212AC212AA3	1200	5	SD100 IEEEE841	2-46
1LE24212AC213AA3	1200	5	SD100 IEEEE841	2-52
1LE24212AD112AA3	900	2	SD100 IEEEE841	2-46
1LE24212AD113AA3	900	2	SD100 IEEEE841	2-52
1LE24212AD212AA3	900	3	SD100 IEEEE841	2-46
1LE24212AD213AA3	900	3	SD100 IEEEE841	2-52
1LE24212BA112AA3	3600	15	SD100 IEEEE841	2-46
1LE24212BA112GA3	3600	15	SD100 IEEEE841	2-50
1LE24212BA113AA3	3600	15	SD100 IEEEE841	2-52
1LE24212BA113GA3	3600	15	SD100 IEEEE841	2-56
1LE24212BA212AA3	3600	20	SD100 IEEEE841	2-46
1LE24212BA212GA3	3600	20	SD100 IEEEE841	2-50
1LE24212BA213AA3	3600	20	SD100 IEEEE841	2-52
1LE24212BA213GA3	3600	20	SD100 IEEEE841	2-56
1LE24212BB112AA3	1800	15	SD100 IEEEE841	2-46
1LE24212BB112GA3	1800	15	SD100 IEEEE841	2-50
1LE24212BB113AA3	1800	15	SD100 IEEEE841	2-52
1LE24212BB113GA3	1800	15	SD100 IEEEE841	2-56
1LE24212BB212AA3	1800	20	SD100 IEEEE841	2-46
1LE24212BB212GA3	1800	20	SD100 IEEEE841	2-50
1LE24212BB213AA3	1800	20	SD100 IEEEE841	2-52
1LE24212BB213GA3	1800	20	SD100 IEEEE841	2-56

# Part number index

## SIMOTICS NEMA motors

Part Number	HP	RPM	Type	Page
1LE24212BC112AA3	1200	7.5	SD100 IEEEE841	2-46
1LE24212BC113AA3	1200	7.5	SD100 IEEEE841	2-52
1LE24212BC212AA3	1200	10	SD100 IEEEE841	2-46
1LE24212BC213AA3	1200	10	SD100 IEEEE841	2-52
1LE24212BD112AA3	900	5	SD100 IEEEE841	2-46
1LE24212BD113AA3	900	5	SD100 IEEEE841	2-52
1LE24212BD212AA3	900	7.5	SD100 IEEEE841	2-46
1LE24212BD213AA3	900	7.5	SD100 IEEEE841	2-52
1LE24212CB112AA3	1800	25	SD100 IEEEE841	2-47
1LE24212CB113AA3	1800	25	SD100 IEEEE841	2-53
1LE24212CB212AA3	1800	30	SD100 IEEEE841	2-47
1LE24212CB213AA3	1800	30	SD100 IEEEE841	2-53
1LE24212CC112AA3	1200	15	SD100 IEEEE841	2-46
1LE24212CC113AA3	1200	15	SD100 IEEEE841	2-52
1LE24212CC212AA3	1200	20	SD100 IEEEE841	2-46
1LE24212CC213AA3	1200	20	SD100 IEEEE841	2-52
1LE24212CD112AA3	900	10	SD100 IEEEE841	2-46
1LE24212CD113AA3	900	10	SD100 IEEEE841	2-52
1LE24212CD212AA3	900	15	SD100 IEEEE841	2-46
1LE24212CD213AA3	900	15	SD100 IEEEE841	2-52
1LE24212DA112AA3	3600	25	SD100 IEEEE841	2-47
1LE24212DA113AA3	3600	25	SD100 IEEEE841	2-53
1LE24212DA212AA3	3600	30	SD100 IEEEE841	2-47
1LE24212DA213AA3	3600	30	SD100 IEEEE841	2-53
1LE24212DB112AA3	1800	25	SD100 IEEEE841	2-47
1LE24212DB113AA3	1800	25	SD100 IEEEE841	2-53
1LE24212DB212AA3	1800	30	SD100 IEEEE841	2-47
1LE24212DB213AA3	1800	30	SD100 IEEEE841	2-53
1LE24213AB112AA3	1800	40	SD100 IEEEE841	2-47
1LE24213AB113AA3	1800	40	SD100 IEEEE841	2-53
1LE24213AB212AA3	1800	50	SD100 IEEEE841	2-47
1LE24213AB213AA3	1800	50	SD100 IEEEE841	2-53
1LE24213AC112AA3	1200	25	SD100 IEEEE841	2-47
1LE24213AC113AA3	1200	25	SD100 IEEEE841	2-53
1LE24213AC212AA3	1200	30	SD100 IEEEE841	2-47
1LE24213AC213AA3	1200	30	SD100 IEEEE841	2-53
1LE24213AD112AA3	900	20	SD100 IEEEE841	2-46
1LE24213AD113AA3	900	20	SD100 IEEEE841	2-52
1LE24213AD212AA3	900	25	SD100 IEEEE841	2-47
1LE24213AD213AA3	900	25	SD100 IEEEE841	2-53
1LE24213BA112AA3	3600	40	SD100 IEEEE841	2-47
1LE24213BA113AA3	3600	40	SD100 IEEEE841	2-53
1LE24213BA212AA3	3600	50	SD100 IEEEE841	2-47
1LE24213BA213AA3	3600	50	SD100 IEEEE841	2-53
1LE24213BB112AA3	1800	40	SD100 IEEEE841	2-47
1LE24213BB113AA3	1800	40	SD100 IEEEE841	2-53
1LE24213BB212AA3	1800	50	SD100 IEEEE841	2-47
1LE24213BB213AA3	1800	50	SD100 IEEEE841	2-53
1LE24213CB112AA3	1800	60	SD100 IEEEE841	2-47
1LE24213CB113AA3	1800	60	SD100 IEEEE841	2-53
1LE24213CB212AA3	1800	75	SD100 IEEEE841	2-47

Part Number	HP	RPM	Type	Page
1LE24213CB213AA3	1800	75	SD100 IEEEE841	2-53
1LE24213CC112AA3	1200	40	SD100 IEEEE841	2-47
1LE24213CC113AA3	1200	40	SD100 IEEEE841	2-53
1LE24213CC212AA3	1200	50	SD100 IEEEE841	2-47
1LE24213CC213AA3	1200	50	SD100 IEEEE841	2-53
1LE24213CD112AA3	900	30	SD100 IEEEE841	2-47
1LE24213CD113AA3	900	30	SD100 IEEEE841	2-53
1LE24213CD212AA3	900	40	SD100 IEEEE841	2-47
1LE24213CD213AA3	900	40	SD100 IEEEE841	2-53
1LE24213DA112AA3	3600	60	SD100 IEEEE841	2-47
1LE24213DA113AA3	3600	60	SD100 IEEEE841	2-53
1LE24213DA212AA3	3600	75	SD100 IEEEE841	2-47
1LE24213DA213AA3	3600	75	SD100 IEEEE841	2-53
1LE24213DB112AA3	1800	60	SD100 IEEEE841	2-47
1LE24213DB113AA3	1800	60	SD100 IEEEE841	2-53
1LE24213DB212AA3	1800	75	SD100 IEEEE841	2-47
1LE24213DB213AA3	1800	75	SD100 IEEEE841	2-53
1LE24214AB212AA3	1800	100	SD100 IEEEE841	2-48
1LE24214AB213AA3	1800	100	SD100 IEEEE841	2-54
1LE24214AC112AA3	1200	60	SD100 IEEEE841	2-47
1LE24214AC113AA3	1200	60	SD100 IEEEE841	2-53
1LE24214AC212AA3	1200	75	SD100 IEEEE841	2-47
1LE24214AC213AA3	1200	75	SD100 IEEEE841	2-53
1LE24214AD112AA3	900	50	SD100 IEEEE841	2-47
1LE24214AD113AA3	900	50	SD100 IEEEE841	2-53
1LE24214AD212AA3	900	60	SD100 IEEEE841	2-47
1LE24214AD213AA3	900	60	SD100 IEEEE841	2-53
1LE24214BA212AA3	3600	100	SD100 IEEEE841	2-48
1LE24214BA213AA3	3600	100	SD100 IEEEE841	2-54
1LE24214BB212AA3	1800	100	SD100 IEEEE841	2-48
1LE24214BB213AA3	1800	100	SD100 IEEEE841	2-54
1LE24214CB112AA3	1800	125	SD100 IEEEE841	2-48
1LE24214CB113AA3	1800	125	SD100 IEEEE841	2-54
1LE24214CB212AA3	1800	150	SD100 IEEEE841	2-48
1LE24214CB213AA3	1800	150	SD100 IEEEE841	2-54
1LE24214CB312AA3	1800	200	SD100 IEEEE841	2-48
1LE24214CB313AA3	1800	200	SD100 IEEEE841	2-54
1LE24214CB512AA3	1800	250	SD100 IEEEE841	2-49
1LE24214CB513AA3	1800	250	SD100 IEEEE841	2-55
1LE24214CC112AA3	1200	100	SD100 IEEEE841	2-48
1LE24214CC113AA3	1200	100	SD100 IEEEE841	2-54
1LE24214CC212AA3	1200	125	SD100 IEEEE841	2-48
1LE24214CC213AA3	1200	125	SD100 IEEEE841	2-54
1LE24214CC312AA3	1200	150	SD100 IEEEE841	2-48
1LE24214CC313AA3	1200	150	SD100 IEEEE841	2-54
1LE24214CC512AA3	1200	200	SD100 IEEEE841	2-48
1LE24214CC513AA3	1200	200	SD100 IEEEE841	2-54
1LE24214CC612AA3	1200	250	SD100 IEEEE841	2-49
1LE24214CC613AA3	1200	250	SD100 IEEEE841	2-55
1LE24214CD112AA3	900	75	SD100 IEEEE841	2-47
1LE24214CD113AA3	900	75	SD100 IEEEE841	2-53

# Part number index

## SIMOTICS NEMA motors

Part Number	HP	RPM	Type	Page
1LE24214CD212AA3	900	100	SD100 IEEEE841	2-48
1LE24214CD213AA3	900	100	SD100 IEEEE841	2-54
1LE24214CD312AA3	900	125	SD100 IEEEE841	2-48
1LE24214CD313AA3	900	125	SD100 IEEEE841	2-54
1LE24214CD512AA3	900	150	SD100 IEEEE841	2-48
1LE24214CD513AA3	900	150	SD100 IEEEE841	2-54
1LE24214DA112AA3	3600	125	SD100 IEEEE841	2-48
1LE24214DA113AA3	3600	125	SD100 IEEEE841	2-54
1LE24214DA212AA3	3600	150	SD100 IEEEE841	2-48
1LE24214DA213AA3	3600	150	SD100 IEEEE841	2-54
1LE24214DA312AA3	3600	200	SD100 IEEEE841	2-48
1LE24214DA313AA3	3600	200	SD100 IEEEE841	2-54
1LE24214DA512AA3	3600	250	SD100 IEEEE841	2-49
1LE24214DA513AA3	3600	250	SD100 IEEEE841	2-55
1LE24214DA612AA3	3600	300	SD100 IEEEE841	2-49
1LE24214DA613AA3	3600	300	SD100 IEEEE841	2-55
1LE24214DB112AA3	1800	125	SD100 IEEEE841	2-48
1LE24214DB113AA3	1800	125	SD100 IEEEE841	2-54
1LE24214DB212AA3	1800	150	SD100 IEEEE841	2-48
1LE24214DB213AA3	1800	150	SD100 IEEEE841	2-54
1LE24214DB312AA3	1800	200	SD100 IEEEE841	2-48
1LE24214DB313AA3	1800	200	SD100 IEEEE841	2-54
1LE24214DB512AA3	1800	250	SD100 IEEEE841	2-49
1LE24214DB513AA3	1800	250	SD100 IEEEE841	2-55
1LE24214DC112AA3	1200	100	SD100 IEEEE841	2-48
1LE24214DC113AA3	1200	100	SD100 IEEEE841	2-54
1LE24214DC212AA3	1200	125	SD100 IEEEE841	2-48
1LE24214DC213AA3	1200	125	SD100 IEEEE841	2-54
1LE24214DC312AA3	1200	150	SD100 IEEEE841	2-48
1LE24214DC313AA3	1200	150	SD100 IEEEE841	2-54
1LE24214DC512AA3	1200	200	SD100 IEEEE841	2-48
1LE24214DC513AA3	1200	200	SD100 IEEEE841	2-54
1LE24214DC612AA3	1200	250	SD100 IEEEE841	2-49
1LE24214DC613AA3	1200	250	SD100 IEEEE841	2-55
1LE24214DD112AA3	900	75	SD100 IEEEE841	2-47
1LE24214DD113AA3	900	75	SD100 IEEEE841	2-53
1LE24214DD212AA3	900	100	SD100 IEEEE841	2-48
1LE24214DD213AA3	900	100	SD100 IEEEE841	2-54
1LE24214DD312AA3	900	125	SD100 IEEEE841	2-48
1LE24214DD313AA3	900	125	SD100 IEEEE841	2-54
1LE24214DD512AA3	900	150	SD100 IEEEE841	2-48
1LE24214DD513AA3	900	150	SD100 IEEEE841	2-54
1LE24214EB112AA3	1800	125	SD100 IEEEE841	2-48
1LE24214EB113AA3	1800	125	SD100 IEEEE841	2-54
1LE24214EB212AA3	1800	150	SD100 IEEEE841	2-48
1LE24214EB213AA3	1800	150	SD100 IEEEE841	2-54
1LE24214EB312AA3	1800	200	SD100 IEEEE841	2-48
1LE24214EB313AA3	1800	200	SD100 IEEEE841	2-54
1LE24214EB512AA3	1800	250	SD100 IEEEE841	2-49
1LE24214EB513AA3	1800	250	SD100 IEEEE841	2-55
1LE24214EC112AA3	1200	100	SD100 IEEEE841	2-48

Part Number	HP	RPM	Type	Page
1LE24214EC113AA3	1200	100	SD100 IEEEE841	2-54
1LE24214EC212AA3	1200	125	SD100 IEEEE841	2-48
1LE24214EC213AA3	1200	125	SD100 IEEEE841	2-54
1LE24214EC312AA3	1200	150	SD100 IEEEE841	2-48
1LE24214EC313AA3	1200	150	SD100 IEEEE841	2-54
1LE24214EC512AA3	1200	200	SD100 IEEEE841	2-48
1LE24214EC513AA3	1200	200	SD100 IEEEE841	2-54
1LE24214EC612AA3	1200	250	SD100 IEEEE841	2-49
1LE24214EC613AA3	1200	250	SD100 IEEEE841	2-55
1LE24214ED112AA3	900	75	SD100 IEEEE841	2-47
1LE24214ED113AA3	900	75	SD100 IEEEE841	2-53
1LE24214ED212AA3	900	100	SD100 IEEEE841	2-48
1LE24214ED213AA3	900	100	SD100 IEEEE841	2-54
1LE24214ED312AA3	900	125	SD100 IEEEE841	2-48
1LE24214ED313AA3	900	125	SD100 IEEEE841	2-54
1LE24214ED512AA3	900	150	SD100 IEEEE841	2-48
1LE24214ED513AA3	900	150	SD100 IEEEE841	2-54
1LE24214FB112AA3	1800	300	SD100 IEEEE841	2-49
1LE24214FB113AA3	1800	300	SD100 IEEEE841	2-55
1LE24214FB212AA3	1800	350	SD100 IEEEE841	2-49
1LE24214FB213AA3	1800	350	SD100 IEEEE841	2-55
1LE24214FB312AA3	1800	400	SD100 IEEEE841	2-49
1LE24214FB313AA3	1800	400	SD100 IEEEE841	2-55
1LE24214FC112AA3	1200	300	SD100 IEEEE841	2-49
1LE24214FC113AA3	1200	300	SD100 IEEEE841	2-55
1LE24214FD112AA3	900	200	SD100 IEEEE841	2-48
1LE24214FD113AA3	900	200	SD100 IEEEE841	2-54
1LE24214FD212AA3	900	250	SD100 IEEEE841	2-49
1LE24214FD213AA3	900	250	SD100 IEEEE841	2-55
1LE24214GA112AA3	3600	350	SD100 IEEEE841	2-49
1LE24214GA113AA3	3600	350	SD100 IEEEE841	2-55
1LE24214GA312AA3	3600	400	SD100 IEEEE841	2-49
1LE24214GA313AA3	3600	400	SD100 IEEEE841	2-55
1LE24214GB112AA3	1800	300	SD100 IEEEE841	2-49
1LE24214GB113AA3	1800	300	SD100 IEEEE841	2-55
1LE24214GB212AA3	1800	350	SD100 IEEEE841	2-49
1LE24214GB213AA3	1800	350	SD100 IEEEE841	2-55
1LE24214GB312AA3	1800	400	SD100 IEEEE841	2-49
1LE24214GB313AA3	1800	400	SD100 IEEEE841	2-55
1LE24214GC112AA3	1200	300	SD100 IEEEE841	2-49
1LE24214GC113AA3	1200	300	SD100 IEEEE841	2-55
1LE24221CB312AA3	1800	5	SD661	2-62
1LE24221CB313AA3	1800	5	SD661	2-62
1LE24222AB112AA3	1800	7.5	SD661	2-62
1LE24222AB113AA3	1800	7.5	SD661	2-62
1LE24222AB212AA3	1800	10	SD661	2-62
1LE24222AB213AA3	1800	10	SD661	2-62
1LE24222BB112AA3	1800	15	SD661	2-62
1LE24222BB113AA3	1800	15	SD661	2-62
1LE24222BB212AA3	1800	20	SD661	2-62
1LE24222BB213AA3	1800	20	SD661	2-62

# Part number index

## SIMOTICS NEMA motors

Part Number	HP	RPM	Type	Page
1LE24222BC112AA3	1200	7.5	SD661	2-62
1LE24222BC212AA3	1200	10	SD661	2-62
1LE24222CB112AA3	1800	25	SD661	2-62
1LE24222CB113AA3	1800	25	SD661	2-62
1LE24222CB212AA3	1800	30	SD661	2-62
1LE24222CB213AA3	1800	30	SD661	2-62
1LE24222CC112AA3	1200	15	SD661	2-62
1LE24222CC212AA3	1200	20	SD661	2-62
1LE24223AB112AA3	1800	40	SD661	2-62
1LE24223AB113AA3	1800	40	SD661	2-62
1LE24223AB212AA3	1800	50	SD661	2-62
1LE24223AB213AA3	1800	50	SD661	2-62
1LE24223AC112AA3	1200	25	SD661	2-62
1LE24223AC212AA3	1200	30	SD661	2-62
1LE24223CB112AA3	1800	60	SD661	2-62
1LE24223CB113AA3	1800	60	SD661	2-62
1LE24223CB212AA3	1800	75	SD661	2-62
1LE24223CB213AA3	1800	75	SD661	2-62
1LE24223CC112AA3	1200	40	SD661	2-62
1LE24223CC212AA3	1200	50	SD661	2-62
1MB21211AA213AG3	3600	1.5	XP100	2-70
1MB21211AA214AG3	3600	1.5	XP100	2-66
1MB21211AA216LG3	3600	1.5	XP100	2-69
1MB21211AA313AG3	3600	2	XP100	2-70
1MB21211AA314AG3	3600	2	XP100	2-66
1MB21211AA316LG3	3600	2	XP100	2-69
1MB21211AB213AG3	1800	1	XP100	2-70
1MB21211AB214AG3	1800	1	XP100	2-66
1MB21211AB216LG3	1800	1	XP100	2-69
1MB21211AB313AG3	1800	1.5	XP100	2-70
1MB21211AB314AG3	1800	1.5	XP100	2-66
1MB21211AB316LG3	1800	1.5	XP100	2-69
1MB21211AB413AG3	1800	2	XP100	2-70
1MB21211AB414AG3	1800	2	XP100	2-66
1MB21211AB416LG3	1800	2	XP100	2-69
1MB21211AC313AG3	1200	1	XP100	2-70
1MB21211AC314AG3	1200	1	XP100	2-66
1MB21211AC316LG3	1200	1	XP100	2-69
1MB21211CA113AG3	3600	3	XP100	2-70
1MB21211CA114AG3	3600	3	XP100	2-66
1MB21211CA116LG3	3600	3	XP100	2-69
1MB21211CA313AG3	3600	5	XP100	2-70
1MB21211CA314AG3	3600	5	XP100	2-66
1MB21211CA316LG3	3600	5	XP100	2-69
1MB21211CB113AG3	1800	3	XP100	2-70
1MB21211CB114AG3	1800	3	XP100	2-66
1MB21211CB116LG3	1800	3	XP100	2-69
1MB21211CB313AG3	1800	5	XP100	2-70
1MB21211CB314AG3	1800	5	XP100	2-66
1MB21211CB316LG3	1800	5	XP100	2-69
1MB21211CC113AG3	1200	1.5	XP100	2-70

Part Number	HP	RPM	Type	Page
1MB21211CC114AG3	1200	1.5	XP100	2-66
1MB21211CC116LG3	1200	1.5	XP100	2-69
1MB21211CC313AG3	1200	2	XP100	2-70
1MB21211CC314AG3	1200	2	XP100	2-66
1MB21211CC316LG3	1200	2	XP100	2-69
1MB21211CD113AG3	900	1	XP100	2-70
1MB21211CD114AG3	900	1	XP100	2-66
1MB21211CD116LG3	900	1	XP100	2-69
1MB21211CD313AG3	900	1.5	XP100	2-70
1MB21211CD314AG3	900	1.5	XP100	2-66
1MB21211CD316LG3	900	1.5	XP100	2-69
1MB21212AA113AG3	3600	7.5	XP100	2-70
1MB21212AA114AG3	3600	7.5	XP100	2-66
1MB21212AA116LG3	3600	7.5	XP100	2-69
1MB21212AA213AG3	3600	10	XP100	2-70
1MB21212AA214AG3	3600	10	XP100	2-66
1MB21212AA216LG3	3600	10	XP100	2-69
1MB21212AB113AG3	1800	7.5	XP100	2-70
1MB21212AB114AG3	1800	7.5	XP100	2-66
1MB21212AB116LG3	1800	7.5	XP100	2-69
1MB21212AB213AG3	1800	10	XP100	2-70
1MB21212AB214AG3	1800	10	XP100	2-66
1MB21212AB216LG3	1800	10	XP100	2-69
1MB21212AC113AG3	1200	3	XP100	2-70
1MB21212AC114AG3	1200	3	XP100	2-66
1MB21212AC116LG3	1200	3	XP100	2-69
1MB21212AC213AG3	1200	5	XP100	2-70
1MB21212AC214AG3	1200	5	XP100	2-66
1MB21212AC216LG3	1200	5	XP100	2-69
1MB21212AD113AG3	900	2	XP100	2-70
1MB21212AD114AG3	900	2	XP100	2-66
1MB21212AD116LG3	900	2	XP100	2-69
1MB21212AD213AG3	900	3	XP100	2-70
1MB21212AD214AG3	900	3	XP100	2-66
1MB21212AD216LG3	900	3	XP100	2-69
1MB21212BA113AG3	3600	15	XP100	2-70
1MB21212BA114AG3	3600	15	XP100	2-66
1MB21212BA116LG3	3600	15	XP100	2-69
1MB21212BA213AG3	3600	20	XP100	2-70
1MB21212BA214AG3	3600	20	XP100	2-66
1MB21212BA216LG3	3600	20	XP100	2-69
1MB21212BB113AG3	1800	15	XP100	2-70
1MB21212BB114AG3	1800	15	XP100	2-66
1MB21212BB116LG3	1800	15	XP100	2-69
1MB21212BB213AG3	1800	20	XP100	2-70
1MB21212BB214AG3	1800	20	XP100	2-66
1MB21212BB216LG3	1800	20	XP100	2-69
1MB21212BC113AG3	1200	7.5	XP100	2-70
1MB21212BC114AG3	1200	7.5	XP100	2-66
1MB21212BC116LG3	1200	7.5	XP100	2-69
1MB21212BC213AG3	1200	10	XP100	2-70

# Part number index

## SIMOTICS NEMA motors

Part Number	HP	RPM	Type	Page
1MB21212BC214AG3	1200	10	XP100	2-66
1MB21212BC216LG3	1200	10	XP100	2-69
1MB21212BD113AG3	900	5	XP100	2-70
1MB21212BD114AG3	900	5	XP100	2-66
1MB21212BD116LG3	900	5	XP100	2-69
1MB21212BD213AG3	900	7.5	XP100	2-70
1MB21212BD214AG3	900	7.5	XP100	2-66
1MB21212BD216LG3	900	7.5	XP100	2-69
1MB21212CB113AG3	1800	25	XP100	2-70
1MB21212CB116AG3	1800	25	XP100	2-66
1MB21212CB213AG3	1800	30	XP100	2-70
1MB21212CB216AG3	1800	30	XP100	2-67
1MB21212CC113AG3	1200	15	XP100	2-70
1MB21212CC116AG3	1200	15	XP100	2-66
1MB21212CC116LG3	1200	15	XP100	2-69
1MB21212CC213AG3	1200	20	XP100	2-70
1MB21212CC216AG3	1200	20	XP100	2-66
1MB21212CC216LG3	1200	20	XP100	2-69
1MB21212CD113AG3	900	10	XP100	2-70
1MB21212CD116AG3	900	10	XP100	2-66
1MB21212CD213AG3	900	15	XP100	2-70
1MB21212CD216AG3	900	15	XP100	2-66
1MB21212DA113AG3	3600	25	XP100	2-70
1MB21212DA116AG3	3600	25	XP100	2-66
1MB21212DA213AG3	3600	30	XP100	2-70
1MB21212DA216AG3	3600	30	XP100	2-67
1MB21213AB113AG3	1800	40	XP100	2-71
1MB21213AB116AG3	1800	40	XP100	2-67
1MB21213AB213AG3	1800	50	XP100	2-71
1MB21213AB216AG3	1800	50	XP100	2-67
1MB21213AC113AG3	1200	25	XP100	2-70
1MB21213AC116AG3	1200	25	XP100	2-66
1MB21213AC213AG3	1200	30	XP100	2-70
1MB21213AC216AG3	1200	30	XP100	2-67
1MB21213AD113AG3	900	20	XP100	2-70
1MB21213AD116AG3	900	20	XP100	2-66
1MB21213AD213AG3	900	25	XP100	2-70
1MB21213AD216AG3	900	25	XP100	2-66
1MB21213BA113AG3	3600	40	XP100	2-71
1MB21213BA116AG3	3600	40	XP100	2-67
1MB21213BA213AG3	3600	50	XP100	2-71
1MB21213BA216AG3	3600	50	XP100	2-67
1MB21213CB113AG3	1800	60	XP100	2-71
1MB21213CB116AG3	1800	60	XP100	2-67
1MB21213CB213AG3	1800	75	XP100	2-71
1MB21213CB216AG3	1800	75	XP100	2-67
1MB21213CC113AG3	1200	40	XP100	2-71
1MB21213CC116AG3	1200	40	XP100	2-67
1MB21213CC213AG3	1200	50	XP100	2-71
1MB21213CC216AG3	1200	50	XP100	2-67
1MB21213CD113AG3	900	30	XP100	2-70

Part Number	HP	RPM	Type	Page
1MB21213CD116AG3	900	30	XP100	2-67
1MB21213CD213AG3	900	40	XP100	2-71
1MB21213CD216AG3	900	40	XP100	2-67
1MB21213DA113AG3	3600	60	XP100	2-71
1MB21213DA116AG3	3600	60	XP100	2-67
1MB21213DA213AG3	3600	75	XP100	2-71
1MB21213DA216AG3	3600	75	XP100	2-67
1MB21214AB213AG3	1800	100	XP100	2-71
1MB21214AB216AG3	1800	100	XP100	2-67
1MB21214AC113AG3	1200	60	XP100	2-71
1MB21214AC116AG3	1200	60	XP100	2-67
1MB21214AC213AG3	1200	75	XP100	2-71
1MB21214AC216AG3	1200	75	XP100	2-67
1MB21214AD113AG3	900	50	XP100	2-71
1MB21214AD116AG3	900	50	XP100	2-67
1MB21214AD213AG3	900	60	XP100	2-71
1MB21214AD216AG3	900	60	XP100	2-67
1MB21214BA213AG3	3600	100	XP100	2-71
1MB21214BA216AG3	3600	100	XP100	2-67
1MB21214CB112AG3	1800	125	XP100	2-67
1MB21214CB113AG3	1800	125	XP100	2-71
1MB21214CB212AG3	1800	150	XP100	2-67
1MB21214CB213AG3	1800	150	XP100	2-71
1MB21214CB312AG3	1800	200	XP100	2-68
1MB21214CB313AG3	1800	200	XP100	2-71
1MB21214CB512AG3	1800	250	XP100	2-68
1MB21214CB612AG3	1800	300	XP100	2-68
1MB21214CC113AG3	1200	100	XP100	2-71
1MB21214CC116AG3	1200	100	XP100	2-67
1MB21214CC212AG3	1200	125	XP100	2-67
1MB21214CC213AG3	1200	125	XP100	2-71
1MB21214CC312AG3	1200	150	XP100	2-67
1MB21214CC313AG3	1200	150	XP100	2-71
1MB21214CC512AG3	1200	200	XP100	2-68
1MB21214CC513AG3	1200	200	XP100	2-71
1MB21214CD113AG3	900	75	XP100	2-71
1MB21214CD116AG3	900	75	XP100	2-67
1MB21214CD213AG3	900	100	XP100	2-71
1MB21214CD216AG3	900	100	XP100	2-67
1MB21214CD312AG3	900	125	XP100	2-67
1MB21214CD313AG3	900	125	XP100	2-71
1MB21214CD512AG3	900	150	XP100	2-67
1MB21214CD513AG3	900	150	XP100	2-71
1MB21214CD612AG3	900	200	XP100	2-68
1MB21214CD613AG3	900	200	XP100	2-71
1MB21214DA112AG3	3600	125	XP100	2-67
1MB21214DA113AG3	3600	125	XP100	2-71
1MB21214DA212AG3	3600	150	XP100	2-67
1MB21214DA213AG3	3600	150	XP100	2-71
1MB21214DA312AG3	3600	200	XP100	2-68
1MB21214DA313AG3	3600	200	XP100	2-71

# Part number index

## SIMOTICS NEMA motors

Part Number	HP	RPM	Type	Page
1MB21214DA512AG3	3600	250	XP100	2-68
1MB21214DA513AG3	3600	250	XP100	2-71
1MB21214DA612AG3	3600	300	XP100	2-68
1MB21214DA613AG3	3600	300	XP100	2-71
1MB21214DB112AG3	1800	125	XP100	2-67
1MB21214DB113AG3	1800	125	XP100	2-71
1MB21214DB212AG3	1800	150	XP100	2-67
1MB21214DB213AG3	1800	150	XP100	2-71
1MB21214DB312AG3	1800	200	XP100	2-68
1MB21214DB313AG3	1800	200	XP100	2-71
1MB21214DB512AG3	1800	250	XP100	2-68
1MB21214DB513AG3	1800	250	XP100	2-71
1MB21214DB612AG3	1800	300	XP100	2-68
1MB21214DB613AG3	1800	300	XP100	2-71
1MB21214DC612AG3	1200	250	XP100	2-68
1MB21214DC613AG3	1200	250	XP100	2-71
1MB21214EB112AG3	1800	125	XP100	2-67
1MB21214EB212AG3	1800	150	XP100	2-67
1MB21214EB312AG3	1800	200	XP100	2-68
1MB21214EB512AG3	1800	250	XP100	2-68
1MB21214EB612AG3	1800	300	XP100	2-68
1MB21214EC512AG3	1200	200	XP100	2-68
1MB22211AA214AA3	3600	1.5	XP100 ID1	2-76
1MB22211AA314AA3	3600	2	XP100 ID1	2-76
1MB22211AB214AA3	1800	1	XP100 ID1	2-76
1MB22211AB216GA3	1800	1	XP100 ID1	2-78
1MB22211AB314AA3	1800	1.5	XP100 ID1	2-76
1MB22211AB316GA3	1800	1.5	XP100 ID1	2-78
1MB22211AB413AA3	1800	2	XP100 ID1	2-79
1MB22211AB414AA3	1800	2	XP100 ID1	2-76
1MB22211AB416GA3	1800	2	XP100 ID1	2-78
1MB22211AC314AA3	1200	1	XP100 ID1	2-76
1MB22211CA114AA3	3600	3	XP100 ID1	2-76
1MB22211CA314AA3	3600	5	XP100 ID1	2-76
1MB22211CB113AA3	1800	3	XP100 ID1	2-79
1MB22211CB114AA3	1800	3	XP100 ID1	2-76
1MB22211CB116GA3	1800	3	XP100 ID1	2-78
1MB22211CB313AA3	1800	5	XP100 ID1	2-79
1MB22211CB314AA3	1800	5	XP100 ID1	2-76
1MB22211CB316GA3	1800	5	XP100 ID1	2-78
1MB22211CC114AA3	1200	1.5	XP100 ID1	2-76
1MB22211CC314AA3	1200	2	XP100 ID1	2-76
1MB22212AA114AA3	3600	7.5	XP100 ID1	2-76
1MB22212AA214AA3	3600	10	XP100 ID1	2-76
1MB22212AB113AA3	1800	7.5	XP100 ID1	2-79
1MB22212AB114AA3	1800	7.5	XP100 ID1	2-76
1MB22212AB116GA3	1800	7.5	XP100 ID1	2-78
1MB22212AB213AA3	1800	10	XP100 ID1	2-79
1MB22212AB214AA3	1800	10	XP100 ID1	2-76
1MB22212AB216GA3	1800	10	XP100 ID1	2-78
1MB22212AC114AA3	1200	3	XP100 ID1	2-76

Part Number	HP	RPM	Type	Page
1MB22212AC214AA3	1200	5	XP100 ID1	2-76
1MB22212BA114AA3	3600	15	XP100 ID1	2-76
1MB22212BA214AA3	3600	20	XP100 ID1	2-76
1MB22212BB113AA3	1800	15	XP100 ID1	2-79
1MB22212BB114AA3	1800	15	XP100 ID1	2-76
1MB22212BB116GA3	1800	15	XP100 ID1	2-78
1MB22212BB213AA3	1800	20	XP100 ID1	2-79
1MB22212BB214AA3	1800	20	XP100 ID1	2-76
1MB22212BB216GA3	1800	20	XP100 ID1	2-78
1MB22212BC114AA3	1200	7.5	XP100 ID1	2-76
1MB22212BC214AA3	1200	10	XP100 ID1	2-76
1MB22212CB113AA3	1800	25	XP100 ID1	2-79
1MB22212CB116AA3	1800	25	XP100 ID1	2-76
1MB22212CB116GA3	1800	25	XP100 ID1	2-78
1MB22212CB213AA3	1800	30	XP100 ID1	2-79
1MB22212CB216AA3	1800	30	XP100 ID1	2-77
1MB22212CB216GA3	1800	30	XP100 ID1	2-78
1MB22212CC116AA3	1200	15	XP100 ID1	2-76
1MB22212CC216AA3	1200	20	XP100 ID1	2-76
1MB22212DA116AA3	3600	25	XP100 ID1	2-76
1MB22212DA216AA3	3600	30	XP100 ID1	2-77
1MB22213AB113AA3	1800	40	XP100 ID1	2-79
1MB22213AB116AA3	1800	40	XP100 ID1	2-77
1MB22213AB213AA3	1800	50	XP100 ID1	2-79
1MB22213AB216AA3	1800	50	XP100 ID1	2-77
1MB22213AC116AA3	1200	25	XP100 ID1	2-76
1MB22213AC216AA3	1200	30	XP100 ID1	2-77
1MB22213BA116AA3	3600	40	XP100 ID1	2-77
1MB22213BA216AA3	3600	50	XP100 ID1	2-77
1MB22213CB113AA3	1800	60	XP100 ID1	2-79
1MB22213CB116AA3	1800	60	XP100 ID1	2-77
1MB22213CB213AA3	1800	75	XP100 ID1	2-79
1MB22213CB216AA3	1800	75	XP100 ID1	2-77
1MB22213CC116AA3	1200	40	XP100 ID1	2-77
1MB22213CC216AA3	1200	50	XP100 ID1	2-77
1MB22213DA116AA3	3600	60	XP100 ID1	2-77
1MB22213DA216AA3	3600	75	XP100 ID1	2-77
1MB22214AB213AA3	1800	100	XP100 ID1	2-79
1MB22214AB216AA3	1800	100	XP100 ID1	2-77
1MB22214AC116AA3	1200	60	XP100 ID1	2-77
1MB22214AC216AA3	1200	75	XP100 ID1	2-77
1MB22214BA216AA3	3600	100	XP100 ID1	2-77
1MB22214CB113AA3	1800	125	XP100 ID1	2-77
1MB22214CB212AA3	1800	150	XP100 ID1	2-77
1MB22214CB213AA3	1800	150	XP100 ID1	2-79
1MB22214CB312AA3	1800	200	XP100 ID1	2-77
1MB22214CB512AA3	1800	250	XP100 ID1	2-77
1MB22214CB612AA3	1800	300	XP100 ID1	2-77
1MB22214CC116AA3	1200	100	XP100 ID1	2-77
1MB22214CC212AA3	1200	125	XP100 ID1	2-77

# Part number index

## SIMOTICS NEMA motors

Part Number	HP	RPM	Type	Page
1MB22214CC312AA3	1200	150	XP100 ID1	2-77
1MB22214CC512AA3	1200	200	XP100 ID1	2-77
1MB22214DA112AA3	3600	125	XP100 ID1	2-77
1MB22214DA212AA3	3600	150	XP100 ID1	2-77
1MB22214DA312AA3	3600	200	XP100 ID1	2-77
1MB22214DA512AA3	3600	250	XP100 ID1	2-77
1MB22214DA612AA3	3600	300	XP100 ID1	2-77
1MB22214EB112AA3	1800	125	XP100 ID1	2-77
1MB22214EB113AA3	1800	125	XP100 ID1	2-79
1MB22214EB212AA3	1800	150	XP100 ID1	2-77
1MB22214EB213AA3	1800	150	XP100 ID1	2-79
1MB22214EB312AA3	1800	200	XP100 ID1	2-77
1MB22214EB512AA3	1800	250	XP100 ID1	2-77
1MB22214EB612AA3	1800	300	XP100 ID1	2-77
1MB22214EC116AA3	1200	100	XP100 ID1	2-77
1MB22214EC212AA3	1200	125	XP100 ID1	2-77
1MB22214EC312AA3	1200	150	XP100 ID1	2-77
1MB22214EC512AA3	1200	200	XP100 ID1	2-77
1PC28111BA213TA3	3600	1.5	RGZVESD	2-92
1PC28111BA216TA3	3600	1.5	RGZVESD	2-90
1PC28111BA313TA3	3600	2	RGZVESD	2-92
1PC28111BA316TA3	3600	2	RGZVESD	2-90
1PC28111BB213TA3	1800	1	RGZVESD	2-92
1PC28111BB216TA3	1800	1	RGZVESD	2-90
1PC28111BB313TA3	1800	1.5	RGZVESD	2-92
1PC28111BB316TA3	1800	1.5	RGZVESD	2-90
1PC28111BB413TA3	1800	2	RGZVESD	2-92
1PC28111BB416TA3	1800	2	RGZVESD	2-90
1PC28111BC313TA3	1200	1	RGZVESD	2-92
1PC28111BC316TA3	1200	1	RGZVESD	2-90
1PC28111DA113TA3	3600	3	RGZVESD	2-92
1PC28111DA116TA3	3600	3	RGZVESD	2-90
1PC28111DA213TA3	3600	5	RGZVESD	2-92
1PC28111DA216TA3	3600	5	RGZVESD	2-90
1PC28111DB113TA3	1800	3	RGZVESD	2-92
1PC28111DB116TA3	1800	3	RGZVESD	2-90
1PC28111DB213TA3	1800	5	RGZVESD	2-92
1PC28111DB216TA3	1800	5	RGZVESD	2-90
1PC28111DC113TA3	1200	1.5	RGZVESD	2-92
1PC28111DC116TA3	1200	1.5	RGZVESD	2-90
1PC28111DC213TA3	1200	2	RGZVESD	2-92
1PC28111DC216TA3	1200	2	RGZVESD	2-90
1PC28111DD113TA3	900	1	RGZVESD	2-92
1PC28111DD116TA3	900	1	RGZVESD	2-90
1PC28111DD213TA3	900	1.5	RGZVESD	2-92
1PC28111DD216TA3	900	1.5	RGZVESD	2-90
1PC28112AA313TA3	3600	7.5	RGZVESD	2-92
1PC28112AA316TA3	3600	7.5	RGZVESD	2-90
1PC28112AA413TA3	3600	10	RGZVESD	2-92
1PC28112AA416TA3	3600	10	RGZVESD	2-90
1PC28112AB313TA3	1800	7.5	RGZVESD	2-92

Part Number	HP	RPM	Type	Page
1PC28112AB316TA3	1800	7.5	RGZVESD	2-90
1PC28112AB413TA3	1800	10	RGZVESD	2-92
1PC28112AB416TA3	1800	10	RGZVESD	2-90
1PC28112AC313TA3	1200	3	RGZVESD	2-92
1PC28112AC316TA3	1200	3	RGZVESD	2-90
1PC28112AC413TA3	1200	5	RGZVESD	2-92
1PC28112AC416TA3	1200	5	RGZVESD	2-90
1PC28112AD313TA3	900	2	RGZVESD	2-92
1PC28112AD316TA3	900	2	RGZVESD	2-90
1PC28112AD413TA3	900	3	RGZVESD	2-92
1PC28112AD416TA3	900	3	RGZVESD	2-90
1PC28112BA313TA3	3600	15	RGZVESD	2-92
1PC28112BA316TA3	3600	15	RGZVESD	2-90
1PC28112BA413TA3	3600	20	RGZVESD	2-92
1PC28112BA416TA3	3600	20	RGZVESD	2-90
1PC28112BB313TA3	1800	15	RGZVESD	2-92
1PC28112BB316TA3	1800	15	RGZVESD	2-90
1PC28112BB413TA3	1800	20	RGZVESD	2-92
1PC28112BB416TA3	1800	20	RGZVESD	2-90
1PC28112BC313TA3	1200	7.5	RGZVESD	2-92
1PC28112BC316TA3	1200	7.5	RGZVESD	2-90
1PC28112BC413TA3	1200	10	RGZVESD	2-92
1PC28112BC416TA3	1200	10	RGZVESD	2-90
1PC28112BD313TA3	900	5	RGZVESD	2-92
1PC28112BD316TA3	900	5	RGZVESD	2-90
1PC28112BD413TA3	900	7.5	RGZVESD	2-92
1PC28112BD416TA3	900	7.5	RGZVESD	2-90
1PC28112CA312TA3	3600	25	RGZVESD	2-90
1PC28112CA313TA3	3600	25	RGZVESD	2-92
1PC28112CA412TA3	3600	30	RGZVESD	2-91
1PC28112CA413TA3	3600	30	RGZVESD	2-93
1PC28112CB312TA3	1800	25	RGZVESD	2-90
1PC28112CB313TA3	1800	25	RGZVESD	2-92
1PC28112CB412TA3	1800	30	RGZVESD	2-91
1PC28112CB413TA3	1800	30	RGZVESD	2-93
1PC28112CC313TA3	1200	15	RGZVESD	2-92
1PC28112CC316TA3	1200	15	RGZVESD	2-90
1PC28112CC413TA3	1200	20	RGZVESD	2-92
1PC28112CC416TA3	1200	20	RGZVESD	2-90
1PC28112CD313TA3	900	10	RGZVESD	2-92
1PC28112CD316TA3	900	10	RGZVESD	2-90
1PC28112CD413TA3	900	15	RGZVESD	2-92
1PC28112CD416TA3	900	15	RGZVESD	2-90
1PC28113AA312TA3	3600	40	RGZVESD	2-91
1PC28113AA313TA3	3600	40	RGZVESD	2-93
1PC28113AA412TA3	3600	50	RGZVESD	2-91
1PC28113AA413TA3	3600	50	RGZVESD	2-93
1PC28113AB312TA3	1800	40	RGZVESD	2-91
1PC28113AB313TA3	1800	40	RGZVESD	2-93
1PC28113AB412TA3	1800	50	RGZVESD	2-91
1PC28113AB413TA3	1800	50	RGZVESD	2-93



# Part number index

## SIMOTICS NEMA motors

Part Number	HP	RPM	Type	Page
1PC28113AC312TA3	1200	25	RGZVESD	2-90
1PC28113AC313TA3	1200	25	RGZVESD	2-92
1PC28113AC412TA3	1200	30	RGZVESD	2-91
1PC28113AC413TA3	1200	30	RGZVESD	2-93
1PC28113AD313TA3	900	20	RGZVESD	2-92
1PC28113AD316TA3	900	20	RGZVESD	2-90
1PC28113AD412TA3	900	25	RGZVESD	2-90
1PC28113AD413TA3	900	25	RGZVESD	2-92
1PC28113CA312TA3	3600	60	RGZVESD	2-91
1PC28113CA313TA3	3600	60	RGZVESD	2-93
1PC28113CA412TA3	3600	75	RGZVESD	2-91
1PC28113CA413TA3	3600	75	RGZVESD	2-93
1PC28113CB312TA3	1800	60	RGZVESD	2-91
1PC28113CB313TA3	1800	60	RGZVESD	2-93
1PC28113CB412TA3	1800	75	RGZVESD	2-91
1PC28113CB413TA3	1800	75	RGZVESD	2-93
1PC28113CC312TA3	1200	40	RGZVESD	2-91
1PC28113CC313TA3	1200	40	RGZVESD	2-93
1PC28113CC412TA3	1200	50	RGZVESD	2-91
1PC28113CC413TA3	1200	50	RGZVESD	2-93
1PC28113CD312TA3	900	30	RGZVESD	2-91
1PC28113CD313TA3	900	30	RGZVESD	2-93
1PC28113CD412TA3	900	40	RGZVESD	2-91
1PC28113CD413TA3	900	40	RGZVESD	2-93
1PC28114AA412TA3	3600	100	RGZVESD	2-91
1PC28114AA413TA3	3600	100	RGZVESD	2-93
1PC28114AB412TA3	1800	100	RGZVESD	2-91
1PC28114AB413TA3	1800	100	RGZVESD	2-93
1PC28114AC312TA3	1200	60	RGZVESD	2-91
1PC28114AC313TA3	1200	60	RGZVESD	2-93
1PC28114AC412TA3	1200	75	RGZVESD	2-91
1PC28114AC413TA3	1200	75	RGZVESD	2-93
1PC28114AD312TA3	900	50	RGZVESD	2-91
1PC28114AD313TA3	900	50	RGZVESD	2-93
1PC28114AD412TA3	900	60	RGZVESD	2-91
1PC28114AD413TA3	900	60	RGZVESD	2-93
1PC28114HB112TA3	1800	125	RGZVESD	2-91
1PC28114HB113TA3	1800	125	RGZVESD	2-93
1PC28114HB212TA3	1800	150	RGZVESD	2-91
1PC28114HB213TA3	1800	150	RGZVESD	2-93
1PC28114HB312TA3	1800	200	RGZVESD	2-91
1PC28114HB313TA3	1800	200	RGZVESD	2-93
1PC28114HB512TA3	1800	250	RGZVESD	2-91
1PC28114HB513TA3	1800	250	RGZVESD	2-93
1PC28114HC112TA3	1200	100	RGZVESD	2-91
1PC28114HC113TA3	1200	100	RGZVESD	2-93
1PC28114HC212TA3	1200	125	RGZVESD	2-91
1PC28114HC213TA3	1200	125	RGZVESD	2-93
1PC28114HC312TA3	1200	150	RGZVESD	2-91
1PC28114HC313TA3	1200	150	RGZVESD	2-93
1PC28114HC512TA3	1200	200	RGZVESD	2-91

Part Number	HP	RPM	Type	Page
1PC28114HC513TA3	1200	200	RGZVESD	2-93
1PC28114HC612TA3	1200	250	RGZVESD	2-91
1PC28114HC613TA3	1200	250	RGZVESD	2-93
1PC28114HD112TA3	900	75	RGZVESD	2-91
1PC28114HD113TA3	900	75	RGZVESD	2-93
1PC28114HD212TA3	900	100	RGZVESD	2-91
1PC28114HD213TA3	900	100	RGZVESD	2-93
1PC28114HD312TA3	900	125	RGZVESD	2-91
1PC28114HD313TA3	900	125	RGZVESD	2-93
1PC28114HD412TA3	900	150	RGZVESD	2-91
1PC28114HD413TA3	900	150	RGZVESD	2-93
1PC28114HD612TA3	900	200	RGZVESD	2-91
1PC28114HD613TA3	900	200	RGZVESD	2-93
1PC28311DA413TA3	3600	3	RGZVILESD	2-97
1PC28311DA416TA3	3600	3	RGZVILESD	2-96
1PC28311DA513TA3	3600	5	RGZVILESD	2-97
1PC28311DA516TA3	3600	5	RGZVILESD	2-96
1PC28311DB413TA3	1800	3	RGZVILESD	2-97
1PC28311DB416TA3	1800	3	RGZVILESD	2-96
1PC28311DB513TA3	1800	5	RGZVILESD	2-97
1PC28311DB516TA3	1800	5	RGZVILESD	2-96
1PC28312AA513TA3	3600	7.5	RGZVILESD	2-97
1PC28312AA516TA3	3600	7.5	RGZVILESD	2-96
1PC28312AA613TA3	3600	10	RGZVILESD	2-97
1PC28312AA616TA3	3600	10	RGZVILESD	2-96
1PC28312AB513TA3	1800	7.5	RGZVILESD	2-97
1PC28312AB516TA3	1800	7.5	RGZVILESD	2-96
1PC28312AB613TA3	1800	10	RGZVILESD	2-97
1PC28312AB616TA3	1800	10	RGZVILESD	2-96
1PC28312AC513TA3	1200	3	RGZVILESD	2-97
1PC28312AC516TA3	1200	3	RGZVILESD	2-96
1PC28312AC613TA3	1200	5	RGZVILESD	2-97
1PC28312AC616TA3	1200	5	RGZVILESD	2-96
1PC28312BA513TA3	3600	15	RGZVILESD	2-97
1PC28312BA516TA3	3600	15	RGZVILESD	2-96
1PC28312BA613TA3	3600	20	RGZVILESD	2-97
1PC28312BA616TA3	3600	20	RGZVILESD	2-96
1PC28312BB513TA3	1800	15	RGZVILESD	2-97
1PC28312BB516TA3	1800	15	RGZVILESD	2-96
1PC28312BB613TA3	1800	20	RGZVILESD	2-97
1PC28312BB616TA3	1800	20	RGZVILESD	2-96
1PC28312BC513TA3	1200	7.5	RGZVILESD	2-97
1PC28312BC516TA3	1200	7.5	RGZVILESD	2-96
1PC28312BC613TA3	1200	10	RGZVILESD	2-97
1PC28312BC616TA3	1200	10	RGZVILESD	2-96
1PC28312EA112TA3	3600	25	RGZVILESD	2-96
1PC28312EA113TA3	3600	25	RGZVILESD	2-97
1PC28312EA412TA3	3600	30	RGZVILESD	2-96
1PC28312EA413TA3	3600	30	RGZVILESD	2-97
1PC28312EB112TA3	1800	25	RGZVILESD	2-96
1PC28312EB113TA3	1800	25	RGZVILESD	2-97

# Part number index

## SIMOTICS NEMA motors

Part Number	HP	RPM	Type	Page
1PC28312EB412TA3	1800	30	RGZVILESD	2-96
1PC28312EB413TA3	1800	30	RGZVILESD	2-97
1PC28312EC113TA3	1200	15	RGZVILESD	2-97
1PC28312EC116TA3	1200	15	RGZVILESD	2-96
1PC28312EC413TA3	1200	20	RGZVILESD	2-97
1PC28312EC416TA3	1200	20	RGZVILESD	2-96
1PC28313AA512TA3	3600	40	RGZVILESD	2-96
1PC28313AA513TA3	3600	40	RGZVILESD	2-97
1PC28313AA612TA3	3600	50	RGZVILESD	2-96
1PC28313AA613TA3	3600	50	RGZVILESD	2-97
1PC28313AB512TA3	1800	40	RGZVILESD	2-96
1PC28313AB513TA3	1800	40	RGZVILESD	2-97
1PC28313AB612TA3	1800	50	RGZVILESD	2-96
1PC28313AB613TA3	1800	50	RGZVILESD	2-97
1PC28313AC512TA3	1200	25	RGZVILESD	2-96
1PC28313AC513TA3	1200	25	RGZVILESD	2-97
1PC28313AC612TA3	1200	30	RGZVILESD	2-96
1PC28313AC613TA3	1200	30	RGZVILESD	2-97
1PC28313CA512TA3	3600	60	RGZVILESD	2-96
1PC28313CA513TA3	3600	60	RGZVILESD	2-97
1PC28313CA612TA3	3600	75	RGZVILESD	2-96
1PC28313CA613TA3	3600	75	RGZVILESD	2-97
1PC28313CB512TA3	1800	60	RGZVILESD	2-96
1PC28313CB513TA3	1800	60	RGZVILESD	2-97
1PC28313CB612TA3	1800	75	RGZVILESD	2-96
1PC28313CB613TA3	1800	75	RGZVILESD	2-97
1PC28313CC512TA3	1200	40	RGZVILESD	2-96
1PC28313CC513TA3	1200	40	RGZVILESD	2-97
1PC28313CC612TA3	1200	50	RGZVILESD	2-96
1PC28313CC613TA3	1200	50	RGZVILESD	2-97
1PC28314AA612TA3	3600	100	RGZVILESD	2-96
1PC28314AA613TA3	3600	100	RGZVILESD	2-97
1PC28314AB612TA3	1800	100	RGZVILESD	2-96
1PC28314AB613TA3	1800	100	RGZVILESD	2-97
1PC28314AC512TA3	1200	60	RGZVILESD	2-96
1PC28314AC513TA3	1200	60	RGZVILESD	2-97
1PC28314AC612TA3	1200	75	RGZVILESD	2-96
1PC28314AC613TA3	1200	75	RGZVILESD	2-97
1PC28314JB112TA3	1800	125	RGZVILESD	2-96
1PC28314JB113TA3	1800	125	RGZVILESD	2-97
1PC28314JB212TA3	1800	150	RGZVILESD	2-96
1PC28314JB213TA3	1800	150	RGZVILESD	2-97
1PC28314JB312TA3	1800	200	RGZVILESD	2-96
1PC28314JB313TA3	1800	200	RGZVILESD	2-97
1PC28314JB512TA3	1800	250	RGZVILESD	2-96
1PC28314JB513TA3	1800	250	RGZVILESD	2-97
1PC28314JC112TA3	1200	100	RGZVILESD	2-96
1PC28314JC113TA3	1200	100	RGZVILESD	2-97
1PC28314JC212TA3	1200	125	RGZVILESD	2-96
1PC28314JC213TA3	1200	125	RGZVILESD	2-97
1PC28314JC312TA3	1200	150	RGZVILESD	2-96

Part Number	HP	RPM	Type	Page
1PC28314JC313TA3	1200	150	RGZVILESD	2-97
1PC28314JC512TA3	1200	200	RGZVILESD	2-96
1PC28314JC513TA3	1200	200	RGZVILESD	2-97
1PC28314JC612TA3	1200	250	RGZVILESD	2-96
1PC28314JC613TA3	1200	250	RGZVILESD	2-97
1PC29111AB512AG3	1800	1	RGKESDI 1000:1	2-86
1PC29111CA612AG3	3600	1.5	RGKESDI 1000:1	2-86
1PC29111CA812AG3	3600	2	RGKESDI 1000:1	2-86
1PC29111CB512AG3	1800	2	RGKESDI 1000:1	2-86
1PC29111CB612AG3	1800	1.5	RGKESDI 1000:1	2-86
1PC29111CB712AG3	1800	3	RGKESDI 1000:1	2-86
1PC29111CC612AG3	1200	1	RGKESDI 1000:1	2-86
1PC29111CC712AG3	1200	1.5	RGKESDI 1000:1	2-86
1PC29112AC012AG3	1200	3	RGKESDI 1000:1	2-86
1PC29112BB712AG3	1800	7.5	RGKESDI 1000:1	2-86
1PC29112BB812AG3	1800	10	RGKESDI 1000:1	2-86
1PC29112BC012AG3	1200	7.5	RGKESDI 1000:1	2-86
1PC29112KA112AG3	3600	3	RGKESDI 1000:1	2-86
1PC29112KA212AG3	3600	5	RGKESDI 1000:1	2-86
1PC29112KA312AG3	3600	7.5	RGKESDI 1000:1	2-86
1PC29112KA412AG3	3600	10	RGKESDI 1000:1	2-86
1PC29112KB512AG3	1800	5	RGKESDI 1000:1	2-86
1PC29112KC512AG3	1200	2	RGKESDI 1000:1	2-86
1PC29112KC612AG3	1200	5	RGKESDI 1000:1	2-86
1PC29212BA112AG3	3600	15	RGZESDI 1000:1	2-86
1PC29212BA212AG3	3600	20	RGZESDI 1000:1	2-86
1PC29212BB112AG3	1800	15	RGZESDI 1000:1	2-86
1PC29212BB212AG3	1800	20	RGZESDI 1000:1	2-86
1PC29212BC212AG3	1200	10	RGZESDI 1000:1	2-86
1PC29212CB112AG3	1800	25	RGZESDI 1000:1	2-86
1PC29212CB212AG3	1800	30	RGZESDI 1000:1	2-86
1PC29212CC112AG3	1200	15	RGZESDI 1000:1	2-86
1PC29212CC212AG3	1200	20	RGZESDI 1000:1	2-86
1PC29212DA112AG3	3600	25	RGZESDI 1000:1	2-86
1PC29212DA212AG3	3600	30	RGZESDI 1000:1	2-86
1PC29213AB112AG3	1800	40	RGZESDI 1000:1	2-86
1PC29213AB212AG3	1800	50	RGZESDI 1000:1	2-86
1PC29213AC112AG3	1200	25	RGZESDI 1000:1	2-86
1PC29213AC212AG3	1200	30	RGZESDI 1000:1	2-86
1PC29213BA112AG3	3600	40	RGZESDI 1000:1	2-86
1PC29213BA212AG3	3600	50	RGZESDI 1000:1	2-86
1PC29213CB112AG3	1800	60	RGZESDI 1000:1	2-87
1PC29213CB212AG3	1800	75	RGZESDI 1000:1	2-87
1PC29213CC112AG3	1200	40	RGZESDI 1000:1	2-86
1PC29213CC212AG3	1200	50	RGZESDI 1000:1	2-86
1PC29213DA112AG3	3600	60	RGZESDI 1000:1	2-87
1PC29213DA212AG3	3600	75	RGZESDI 1000:1	2-87
1PC29214AB212AG3	1800	100	RGZESDI 1000:1	2-87
1PC29214AC112AG3	1200	60	RGZESDI 1000:1	2-87
1PC29214AC212AG3	1200	75	RGZESDI 1000:1	2-87
1PC29214BA212AG3	3600	100	RGZESDI 1000:1	2-87

# Part number index

## SIMOTICS NEMA motors

Part Number	HP	RPM	Type	Page
1PC29214DA112AG3	3600	125	RGZESDI 1000:1	2-87
1PC29214DA212AG3	3600	150	RGZESDI 1000:1	2-87
1PC29214DA312AG3	3600	200	RGZESDI 1000:1	2-87
1PC29214DA512AG3	3600	250	RGZESDI 1000:1	2-87
1PC29214DA612AG3	3600	300	RGZESDI 1000:1	2-87
1PC29214DB112AG3	1800	125	RGZESDI 1000:1	2-87
1PC29214DB212AG3	1800	150	RGZESDI 1000:1	2-87
1PC29214DB312AG3	1800	200	RGZESDI 1000:1	2-87
1PC29214DB512AG3	1800	250	RGZESDI 1000:1	2-87
1PC29214DB612AG3	1800	300	RGZESDI 1000:1	2-87
1PC29214DC112AG3	1200	100	RGZESDI 1000:1	2-87
1PC29214DC212AG3	1200	125	RGZESDI 1000:1	2-87
1PC29214DC312AG3	1200	150	RGZESDI 1000:1	2-87
1PC29214DC512AG3	1200	200	RGZESDI 1000:1	2-87
1PC29214DC612AG3	1200	250	RGZESDI 1000:1	2-87
1PC29214GA112AG3	3600	350	RGZESDI 1000:1	2-87
1PC29214GA312AG3	3600	400	RGZESDI 1000:1	2-87
1PC29214GB212AG3	1800	350	RGZESDI 1000:1	2-87
1PC29214GB312AG3	1800	400	RGZESDI 1000:1	2-87
1PC29214GC112AG3	1200	300	RGZESDI 1000:1	2-87
1PC29214GC312AG3	1200	350	RGZESDI 1000:1	2-87

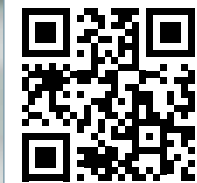
Find out more:

[usa.siemens.com/motors](http://usa.siemens.com/motors)

## Siemens Drive Technology Website:

- › Navigate to sites for all parts of Drive Technology US
- › Access all catalogs, brochures, technical information, and other resources

Drive  
Technology  
SIMOTICS



Subject to change without prior notice.

All rights reserved.

Order No.: NMPC-00700-0415

Printed in USA

© 2015 Siemens Industry, Inc.

The information provided in this brochure contains merely general descriptions or characteristics of performance which in case of actual use do not always apply as described or which may change as a result of further development of the products. An obligation to provide the respective characteristics shall only exist if expressly agreed in the terms of contract.

All product designations may be trademarks or product names of Siemens AG or supplier companies whose use by third parties for their own purposes could violate the rights of the owners.

Follow us on:

[twitter.com/siemensindustry](https://twitter.com/siemensindustry)

[siemens.com/safety/youtube](http://siemens.com/safety/youtube)

Siemens Industry, Inc.

3333 Old Milton Parkway

Alpharetta, GA 30005

1-800-241-4453

[info.us@siemens.com](mailto:info.us@siemens.com)