

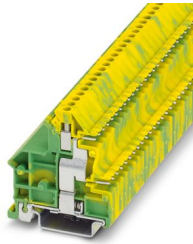
# UKK 3-MSTB-5,08-PE - Double-level terminal block



1876615

<https://www.phoenixcontact.com/nz/products/1876615>

Please be informed that the data shown in this PDF document is generated from our online catalog. Please find the complete data in the user documentation. Our general terms of use for downloads are valid.



Double-level terminal block, number of connections: 4, number of positions: 1, connection method: Screw/plug-in connection, cross section: 0.2 mm<sup>2</sup> - 4 mm<sup>2</sup>, mounting type: NS 35/7,5, NS 35/15, NS 32, color: green-yellow

## Commercial data

Item number	1876615
Packing unit	50 pc
Minimum order quantity	50 pc
Sales key	BE1241
Product key	BE1241
Catalog page	Page 325 (CL-2005)
GTIN	4017918134082
Weight per piece (including packing)	11.5 g
Weight per piece (excluding packing)	11.5 g
Country of origin	PL

# UKK 3-MSTB-5,08-PE - Double-level terminal block



1876615

<https://www.phoenixcontact.com/nz/products/1876615>

## Technical data

### Product properties

Product type	Ground terminal block
Product family	UKK 3-MSTB
Number of positions	1
Pitch	5.08 mm
Number of connections	4
Number of rows	2

### Insulation characteristics

Overvoltage category	III
Degree of pollution	3

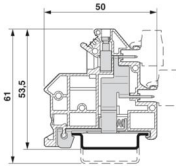
### Electrical properties

Rated surge voltage	4 kV
Maximum power dissipation for nominal condition	0 W

### Connection data

Grounding foot	Yes
Nominal cross section	2.5 mm <sup>2</sup>
Screw thread	M3
Note	Please observe the current carrying capacity of the DIN rails.
Tightening torque	0.5 ... 0.6 Nm
Stripping length	8 mm
Internal cylindrical gage	A3
Conductor cross section rigid	0.2 mm <sup>2</sup> ... 4 mm <sup>2</sup>
Cross section AWG	24 ... 12 (converted acc. to IEC)
Conductor cross section flexible	0.2 mm <sup>2</sup> ... 2.5 mm <sup>2</sup>
Conductor cross section, flexible [AWG]	24 ... 14 (converted acc. to IEC)
Conductor cross-section flexible (ferrule without plastic sleeve)	0.25 mm <sup>2</sup> ... 2.5 mm <sup>2</sup>
Flexible conductor cross section (ferrule with plastic sleeve)	0.25 mm <sup>2</sup> ... 1.5 mm <sup>2</sup>

### Dimensions

Dimensional drawing	
Width	5.08 mm
End cover width	2.5 mm
Height	50 mm
Depth on NS 35/7,5	53.5 mm

# UKK 3-MSTB-5,08-PE - Double-level terminal block



1876615

<https://www.phoenixcontact.com/nz/products/1876615>

Pitch	5.08 mm
-------	---------

## Material specifications

Color	green-yellow
Flammability rating according to UL 94	V2
Insulating material group	I
Insulating material	PA
Contact surface	Tin Sn
Static insulating material application in cold	-60 °C
Relative insulation material temperature index (Elec., UL 746 B)	130 °C
Fire protection for rail vehicles (DIN EN 45545-2) R22	HL 1 - HL 3
Fire protection for rail vehicles (DIN EN 45545-2) R23	HL 1 - HL 3
Fire protection for rail vehicles (DIN EN 45545-2) R24	HL 1 - HL 3
Fire protection for rail vehicles (DIN EN 45545-2) R26	HL 1 - HL 3
Surface flammability NFPA 130 (ASTM E 162)	passed
Specific optical density of smoke NFPA 130 (ASTM E 662)	passed
Smoke gas toxicity NFPA 130 (SMP 800C)	passed

## Mechanical properties

### Mechanical data

Open side panel	Yes
-----------------	-----

## Environmental and real-life conditions

### Oscillation/broadband noise

Specification	DIN EN 50155 (VDE 0115-200):2022-06
Spectrum	Service life test category 1, class B, body mounted
Frequency	$f_1 = 5 \text{ Hz}$ to $f_2 = 150 \text{ Hz}$
ASD level	$0.964 \text{ (m/s}^2\text{)}^2\text{/Hz}$
Acceleration	0.58g
Test duration per axis	5 h
Test directions	X-, Y- and Z-axis
Result	Test passed

### Shocks

Specification	DIN EN 50155 (VDE 0115-200):2018-05
Pulse shape	Half-sine
Acceleration	5g
Shock duration	30 ms
Number of shocks per direction	3
Test directions	X-, Y- and Z-axis (pos. and neg.)
Result	Test passed

### Ambient conditions

Ambient temperature (operation)	-60 °C (max. operating temperature see derating curve)
---------------------------------	--

# UKK 3-MSTB-5,08-PE - Double-level terminal block



1876615

<https://www.phoenixcontact.com/nz/products/1876615>

Ambient temperature (storage/transport)	-25 °C ... 60 °C (for a short time, no longer than 24 h, -60°C to +70°C)
Ambient temperature (assembly)	-5 °C ... 70 °C
Ambient temperature (actuation)	-5 °C ... 70 °C
Permissible humidity (operation)	20 % ... 90 %
Permissible humidity (storage/transport)	30 % ... 70 %

## Mounting

Mounting type	NS 35/7,5
	NS 35/15
	NS 32

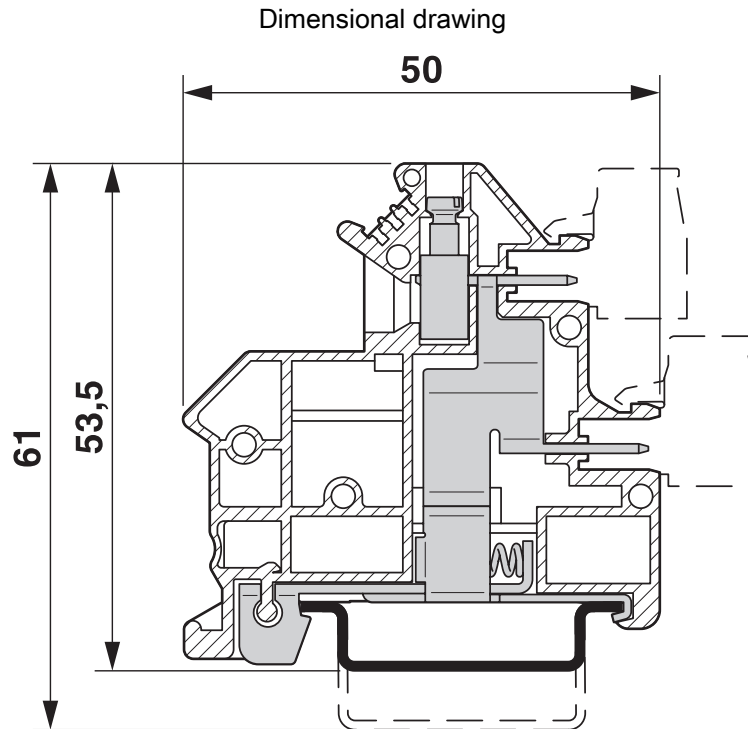
# UKK 3-MSTB-5,08-PE - Double-level terminal block

1876615

<https://www.phoenixcontact.com/nz/products/1876615>



## Drawings



# UKK 3-MSTB-5,08-PE - Double-level terminal block



1876615

<https://www.phoenixcontact.com/nz/products/1876615>

## Approvals

To download certificates, visit the product detail page: <https://www.phoenixcontact.com/nz/products/1876615>



**EAC**

Approval ID: RU C-DE.BL08.B.00534



**cULus Recognized**

Approval ID: E60425

	Nominal voltage $U_N$	Nominal current $I_N$	Cross section AWG	Cross section $\text{mm}^2$
Use group B	-	-	30 - 12	-
Use group F	-	-	30 - 12	-
Use group D	-	-	30 - 12	-

# UKK 3-MSTB-5,08-PE - Double-level terminal block



1876615

<https://www.phoenixcontact.com/nz/products/1876615>

## Classifications

### ECLASS

ECLASS-11.0	27141120
ECLASS-13.0	27250103

### ETIM

ETIM 9.0	EC000897
----------	----------

### UNSPSC

UNSPSC 21.0	39121400
-------------	----------

# UKK 3-MSTB-5,08-PE - Double-level terminal block



1876615

<https://www.phoenixcontact.com/nz/products/1876615>

## Environmental product compliance

China RoHS	Environmentally friendly use period: unlimited = EFUP-e No hazardous substances above threshold values
------------	---

Phoenix Contact 2024 © - all rights reserved  
<https://www.phoenixcontact.com>

PHOENIX CONTACT Ltd  
Unit 15C, 906-930 Great South Road, Penrose  
Auckland 1061  
0508 474 636  
[sales@phoenixcontact.co.nz](mailto:sales@phoenixcontact.co.nz)