

VC-D1-ST15-PE - Contact insert



1855018

<https://www.phoenixcontact.com/pc/products/1855018>

Please be informed that the data shown in this PDF document is generated from our online catalog. Please find the complete data in the user documentation. Our general terms of use for downloads are valid.



Contact insert, Range of articles: VARIOCON, design: VC1, housing material: PA, number of positions: 15, min. conductor cross section: 0.14 mm², max. conductor cross section: 1.5 mm², rated voltage: 250, rated current: 10 A, Connection method: Crimp connection, Contact connection type: Pin. Connectors may only be connected/disconnected when under no load.

Commercial data

Item number	1855018
Packing unit	10 pc
Minimum order quantity	1 pc
Note	Made to order (non-returnable)
Product key	ABLACB
Catalog page	Page 38 (C-2-2013)
GTIN	4017918159399
Weight per piece (including packing)	29.1 g
Weight per piece (excluding packing)	28.96 g
Customs tariff number	85366990
Country of origin	PL

Technical data

Notes

General	Connectors may only be connected/disconnected when under no load.
General	Please note that full assembly with the maximum conductor cross-section can cause the sheathed cable to have an impermissibly large external diameter. Dimension the conductor cross-section depending on the number of positions.
General	The contact carriers are not suitable for installation in VC-MP-K... coupling housings

Safety note

Safety note	WARNING: The connectors may not be plugged in or disconnected under load. Ignoring the warning or improper use may damage persons and/or property.
	<ul style="list-style-type: none"> • WARNING: Commission properly functioning products only. The products must be regularly inspected for damage. Decommission defective products immediately. Replace damaged products. Repairs are not possible.
	<ul style="list-style-type: none"> • WARNING: Only electrically qualified personnel may install and operate the product. They must observe the following safety notes. The qualified personnel must be familiar with the basics of electrical engineering. They must be able to recognize and prevent danger. The relevant symbol on the packaging indicates that only personnel familiar with electrical engineering are allowed to install and operate the product.
	<ul style="list-style-type: none"> • The products are suitable for applications in plant, controller, and electrical device engineering.
	<ul style="list-style-type: none"> • When operating the connectors in outdoor applications, they must be separately protected against environmental influences.
	<ul style="list-style-type: none"> • Assembled products may not be manipulated or improperly opened.
	<ul style="list-style-type: none"> • Only use mating connectors that are specified in the technical data of the standards listed (e.g. the ones listed in the product accessories online at phoenixcontact.com/products).
	<ul style="list-style-type: none"> • When using the product in direct connection with third-party manufacturers, the user is responsible.
	<ul style="list-style-type: none"> • For operating voltages > 50 V AC, conductive connector housings must be grounded
	<ul style="list-style-type: none"> • Ensure that the protective or functional ground has been properly connected.
	<ul style="list-style-type: none"> • VDE 0100/1.97 § 411.1.3.2 and DIN EN 60 204/11.98 § 14.1.3 are applicable when combining several circuits in a cable and/or connector
	<ul style="list-style-type: none"> • Observe the corresponding technical data. You will find information: <ul style="list-style-type: none"> o On the product o On the packing label o In the supplied documentation o Online at phoenixcontact.com/products under the product
	<ul style="list-style-type: none"> • Only use tools recommended by Phoenix Contact
<ul style="list-style-type: none"> • The installation notes/Design In documents online on the 	

VC-D1-ST15-PE - Contact insert



1855018

<https://www.phoenixcontact.com/pc/products/1855018>

	download page at phoenixcontact.com/products must be observed for this product.
	<ul style="list-style-type: none">• Use a protective cap to protect connectors that are not in use. The suitable accessories are available online in the accessory section of the product at phoenixcontact.com/products• Operate the connector only when it is fully plugged in.• Ensure that when laying the cable, the tensile load on the connectors does not exceed the upper limit specified in the standards.• Observe the minimum bending radius of the cable. Lay the cable without twisting it.• The connector warms up in normal operation. Depending on the ambient conditions, the surface of the connector can continue to warm up. In this case, the user is responsible for posting warnings (e.g. DIN EN ISO 13732-1:2008-12).

Product properties

Product type	Contact insert
Product family	VARIOCON
Series	VC-D
Type	VC1
Number of positions	15
Connection profile	15+PE
Contact material type	turned
	rolled

Insulation characteristics

Degree of pollution	2
---------------------	---

Electrical properties

Rated voltage (II/2)	250 V
Rated voltage (III/3)	250 V
	250 V
Nominal voltage ATD	250 (III/2.00)
Rated surge voltage	4 kV
Rated surge voltage (II/2)	4 kV
Rated surge voltage	4 kV
Rated current	10 A
	10 A
	max. 10 A
Nominal voltage U_N	250 V

Connection data

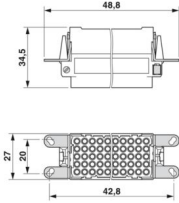
Connection method	Crimp connection
Conductor cross section flexible	1.5 mm ²

Dimensions

VC-D1-ST15-PE - Contact insert

1855018

<https://www.phoenixcontact.com/pc/products/1855018>

Dimensional drawing	
Width	25.4 mm
Height	35.5 mm
Length	48.8 mm

Mechanical characteristics

Contact diameter	1.6 mm
------------------	--------

Material specifications

Color of the housing part	black
Material	Polyamide
Flammability rating according to UL 94	V0
Insulating material group	I
Housing material	PA
Contact material	CuZn
Contact surface material	nickel-plated
Contact carrier material	PA-GF

Cable/line

Single wire, cross section	0.14 mm ² 1.5 mm ²
Stripping length of the individual wire	8 mm

Mechanical properties

Mechanical data

Insertion/withdrawal cycles	>= 500
-----------------------------	--------

Environmental and real-life conditions

Ambient conditions

Ambient temperature (operation)	-40 °C ... 125 °C
---------------------------------	-------------------

VC-D1-ST15-PE - Contact insert

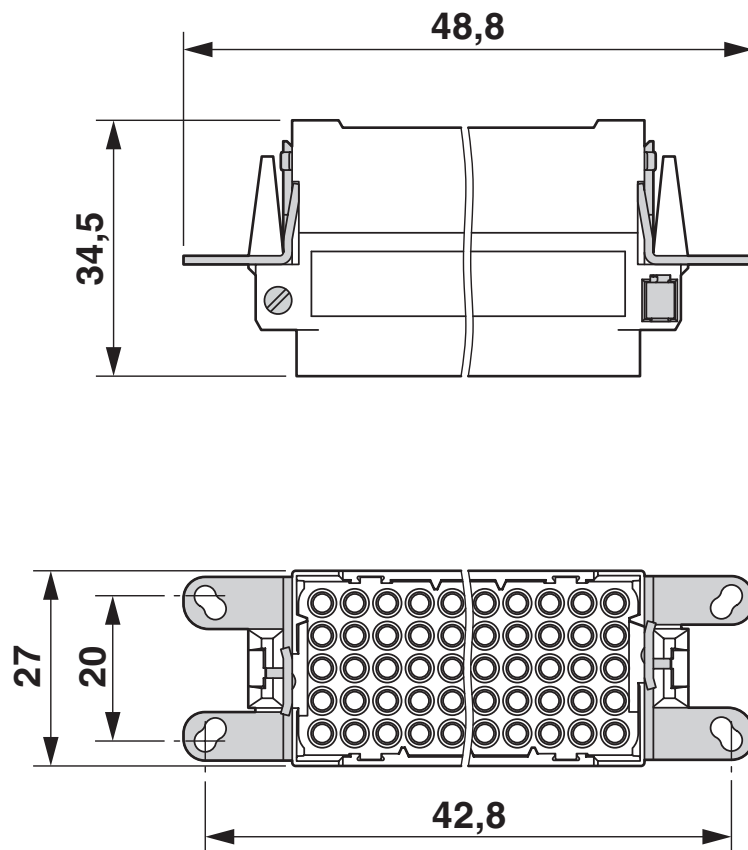
1855018

<https://www.phoenixcontact.com/pc/products/1855018>



Drawings

Dimensional drawing

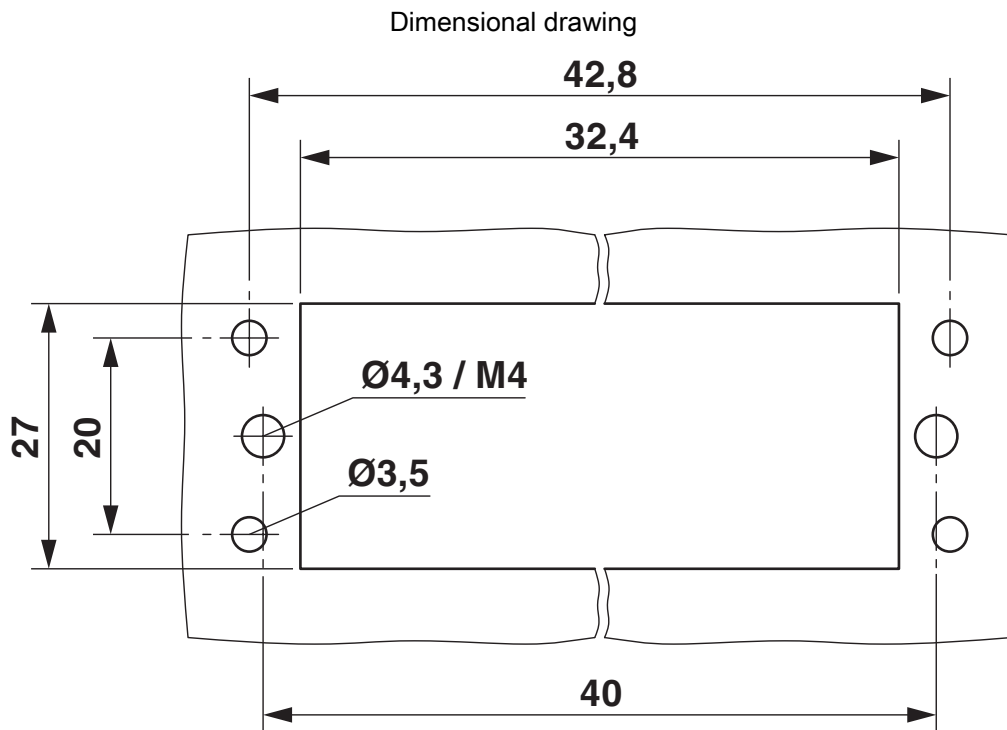


Contact insert

VC-D1-ST15-PE - Contact insert

1855018

<https://www.phoenixcontact.com/pc/products/1855018>



Mounting cutout

VC-D1-ST15-PE - Contact insert





1855018

<https://www.phoenixcontact.com/pc/products/1855018>

Approvals

To download certificates, visit the product detail page: <https://www.phoenixcontact.com/pc/products/1855018>

 cUL Recognized Approval ID: FILE E 118976				
	Nominal voltage U_N	Nominal current I_N	Cross section AWG	Cross section mm^2
	250 V	4 A	-	-

 UL Recognized Approval ID: FILE E 118976				
	Nominal voltage U_N	Nominal current I_N	Cross section AWG	Cross section mm^2
	250 V	4 A	-	-

cULus Recognized

VC-D1-ST15-PE - Contact insert



1855018

<https://www.phoenixcontact.com/pc/products/1855018>

Classifications

ECLASS

ECLASS-11.0	27440223
ECLASS-12.0	27440223
ECLASS-13.0	27440223

ETIM

ETIM 9.0	EC003557
----------	----------

UNSPSC

UNSPSC 21.0	39121400
-------------	----------

VC-D1-ST15-PE - Contact insert



1855018

<https://www.phoenixcontact.com/pc/products/1855018>

Environmental product compliance

China RoHS	Environmentally friendly use period: unlimited = EFUP-e
	No hazardous substances above threshold values

Phoenix Contact 2024 © - all rights reserved
<https://www.phoenixcontact.com>

PHOENIX CONTACT GmbH & Co. KG
Flachmarktstraße 8
D-32825 Blomberg
+49 (0) 5235-3 00
info@phoenixcontact.com