

KGG-MC 1,5/14 - Cable housing



1834466

<https://www.phoenixcontact.com/sk/products/1834466>

Please be informed that the data shown in this PDF document is generated from our online catalog. Please find the complete data in the user documentation. Our general terms of use for downloads are valid.

Cable housing, Cable housing, color: green, product range: KGG-MC 1,5, width: 14.5 mm



Commercial data

Item number	1834466
Packing unit	10 pc
Minimum order quantity	10 pc
Sales key	AAH
Product key	AAHZDB
Catalog page	Page 243 (C-1-2013)
GTIN	4017918110802
Weight per piece (including packing)	12.743 g
Weight per piece (excluding packing)	12.55 g
Customs tariff number	39269097
Country of origin	PL

KGG-MC 1,5/14 - Cable housing

1834466

<https://www.phoenixcontact.com/sk/products/1834466>

Technical data

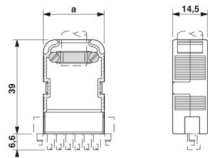
Product properties

Product type	Cable housing
Product family	KGG-MC 1,5
Number of positions	14
Pitch	3.81 mm

Material specifications

Flammability rating according to UL 94	HB
--	----

Dimensions

Dimensional drawing	
Width	14.5 mm
Height	45.6 mm
Pitch	3.81 mm

KGG-MC 1,5/14 - Cable housing

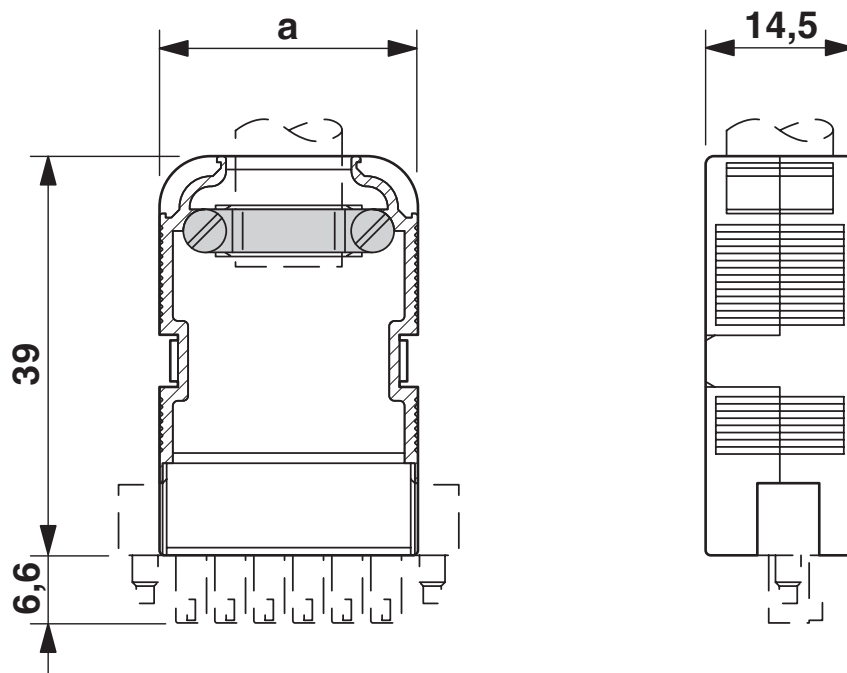
1834466

<https://www.phoenixcontact.com/sk/products/1834466>



Drawings

Dimensional drawing



KGG-MC 1,5/14 - Cable housing



1834466

<https://www.phoenixcontact.com/sk/products/1834466>

Classifications

ECLASS

ECLASS-11.0	27460402
ECLASS-13.0	27460402
ECLASS-12.0	27460402

ETIM

ETIM 9.0	EC002943
----------	----------

UNSPSC

UNSPSC 21.0	39121400
-------------	----------

KGG-MC 1,5/14 - Cable housing



1834466

<https://www.phoenixcontact.com/sk/products/1834466>

Environmental product compliance

China RoHS	Environmentally friendly use period: unlimited = EFUP-e
	No hazardous substances above threshold values

Phoenix Contact 2024 © - all rights reserved
<https://www.phoenixcontact.com>

PHOENIX CONTACT s.r.o.
Námestie Mateja Korvína 1
811 07 Bratislava
+421 2 3210 1470
obchod.sk@phoenixcontact.com