

KGS-MSTB 2,5/12 - Cable housing



1783818

<https://www.phoenixcontact.com/pc/products/1783818>

Please be informed that the data shown in this PDF document is generated from our online catalog. Please find the complete data in the user documentation. Our general terms of use for downloads are valid.

Cable housing, Cable housing, color: green, product range: KGS-MSTB 2,5



Commercial data

Item number	1783818
Packing unit	10 pc
Minimum order quantity	1 pc
Product key	AAHZDD
Catalog page	Page 349 (C-1-2013)
GTIN	4017918041991
Weight per piece (including packing)	20.009 g
Weight per piece (excluding packing)	19.85 g
Customs tariff number	39269097
Country of origin	PL

KGS-MSTB 2,5/12 - Cable housing

1783818

<https://www.phoenixcontact.com/pc/products/1783818>

Technical data

Product properties

Product type	Cable housing
Product family	KGS-MSTB 2,5
Number of positions	12
Pitch	0 mm

Mounting

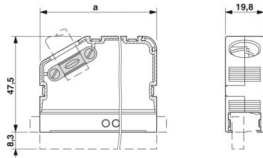
Cable clamp

Tightening torque	0.3 Nm
-------------------	--------

Material specifications

Color (Housing)	green (RAL 6021)
Flammability rating according to UL 94	HB

Dimensions

Dimensional drawing	
Pitch	0 mm

KGS-MSTB 2,5/12 - Cable housing

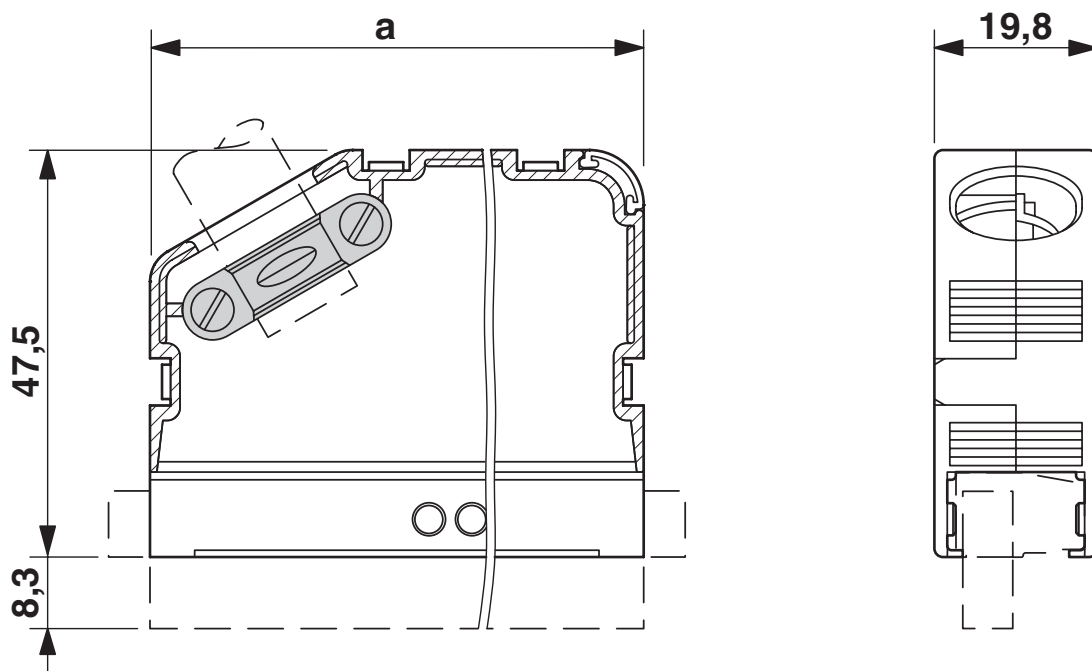
1783818

<https://www.phoenixcontact.com/pc/products/1783818>



Drawings

Dimensional drawing



KGS-MSTB 2,5/12 - Cable housing



1783818

<https://www.phoenixcontact.com/pc/products/1783818>

Classifications

ECLASS

ECLASS-11.0	27460402
ECLASS-12.0	27460402
ECLASS-13.0	27460402

ETIM

ETIM 9.0	EC002943
----------	----------

UNSPSC

UNSPSC 21.0	39121400
-------------	----------

KGS-MSTB 2,5/12 - Cable housing



1783818

<https://www.phoenixcontact.com/pc/products/1783818>

Environmental product compliance

China RoHS	Environmentally friendly use period: unlimited = EFUP-e
	No hazardous substances above threshold values

Phoenix Contact 2024 © - all rights reserved
<https://www.phoenixcontact.com>

PHOENIX CONTACT GmbH & Co. KG
Flachmarktstraße 8
D-32825 Blomberg
+49 (0) 5235-3 00
info@phoenixcontact.com