

# HC-B 24-AMLD - Housing

1771943

<https://www.phoenixcontact.com/us/products/1771943>

Please be informed that the data shown in this PDF document is generated from our online catalog. Please find the complete data in the user documentation. Our general terms of use for downloads are valid.



HEAVYCON B24 panel mounting base, with single locking latch, height: 29 mm, with plastic cover, with flat gasket

## Commercial data

Item number	1771943
Packing unit	1 pc
Note	Made to order (non-returnable)
Sales key	BF55
Product key	BF7AAC
Catalog page	Page 530 (C-4-2013)
GTIN	4017918036621
Weight per piece (including packing)	180.6 g
Weight per piece (excluding packing)	180.6 g
Customs tariff number	85389099
Country of origin	DE

# HC-B 24-AMLD - Housing

1771943

<https://www.phoenixcontact.com/us/products/1771943>

## Technical data

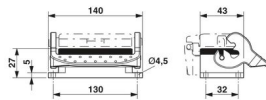
### Notes

General	For contact inserts HC-B24, BB46, BBB64, D64, DD108, M
---------	--

### Product properties

Type	B24
Product type	Housing with locking latch
Application	Standard
Housing type	Panel mounting base
Protective cover	yes
Shielded	no
Pg screw connection	none

### Dimensions

Dimensional drawing	
Width	43 mm
Height	29 mm
Length	140 mm

### Installation dimensions

Width of the assembly cutout	35 mm
Length of the assembly cutout	113 mm

### Material specifications

Seal material	NBR CR
Housing surface material	Powder-coated, gray
Material, protective cover	PA
Locking latch material	Stainless steel, handle: PA
Housing material	die-cast aluminum

### Mechanical properties

#### Mechanical data

Locking type	Latch
--------------	-------

### Environmental and real-life conditions

#### Ambient conditions

Degree of protection	IP65 (When plugged in)
----------------------	------------------------

# HC-B 24-AMLD - Housing



1771943

<https://www.phoenixcontact.com/us/products/1771943>

	IP54 (with closed protective cover)
Ambient temperature (operation)	-40 °C ... 125 °C

Phoenix Contact 2024 © - all rights reserved

<https://www.phoenixcontact.com>

Phoenix Contact USA  
586 Fulling Mill Road  
Middletown, PA 17057, United States  
(+717) 944-1300  
[info@phoenixcon.com](mailto:info@phoenixcon.com)