

# HC-M-04-BU-KOAX-50 - Coaxial contact



1676802

<https://www.phoenixcontact.com/us/products/1676802>

Please be informed that the data shown in this PDF document is generated from our online catalog. Please find the complete data in the user documentation. Our general terms of use for downloads are valid.



Coaxial contact, contact diameter: 4.8 mm, turned, Socket, contact material: Copper alloy, contact surface: gold-plated, connection cross section: 0.14 mm<sup>2</sup> ... 2.5 mm<sup>2</sup>, AWG 26 ... 14, Wave impedance: 50 Ω

## Commercial data

Item number	1676802
Packing unit	1 pc
Note	Made to order (non-returnable)
Sales key	BF62
Product key	BF7ACZ
Catalog page	Page 589 (C-2-2019)
GTIN	4017918150556
Weight per piece (including packing)	2 g
Weight per piece (excluding packing)	2 g
Customs tariff number	85366910
Country of origin	HU

# HC-M-04-BU-KOAX-50 - Coaxial contact



1676802

<https://www.phoenixcontact.com/us/products/1676802>

## Technical data

### Notes

General	Cables that can be used for the coaxial contact: RG174/U, RG188A/U, RG316/U
General	Coaxial contact for module HC-M-04-KT-M

### Product properties

Product type	Coaxial contact
Series	HC-M-04-KOAX
Type	Individual male contact
Contact material type	turned

### Electrical properties

Rated voltage (III/3)	48 V
Rated current	1.5 A
Wave impedance	50 Ω

### Connection data

#### Connection technology

Connection technology	Soldering and crimp connection (Solder connection (wire) / crimp connection (braided shield))
Connection in acc. with standard	IEC / EN

#### Conductor connection

Conductor cross section	0.14 mm <sup>2</sup> ... 2.5 mm <sup>2</sup>
Connection cross section AWG	26 ... 14
Stripping length of the individual wire	2 mm

### Dimensions

Width	4.8 mm
Height	4.8 mm

#### Mechanical characteristics

Contact diameter	4.8 mm
------------------	--------

### Material specifications

Contact material	Copper alloy
Contact surface material	gold-plated

### Cable/line

Stripping length of the individual wire	2 mm
Wave impedance	50 Ω

### Mechanical properties

# HC-M-04-BU-KOAX-50 - Coaxial contact



1676802

<https://www.phoenixcontact.com/us/products/1676802>

## Mechanical data

Insertion/withdrawal cycles	≥ 500
-----------------------------	-------

## Environmental and real-life conditions

### Ambient conditions

Ambient temperature (operation)	-40 °C ... 125 °C
---------------------------------	-------------------

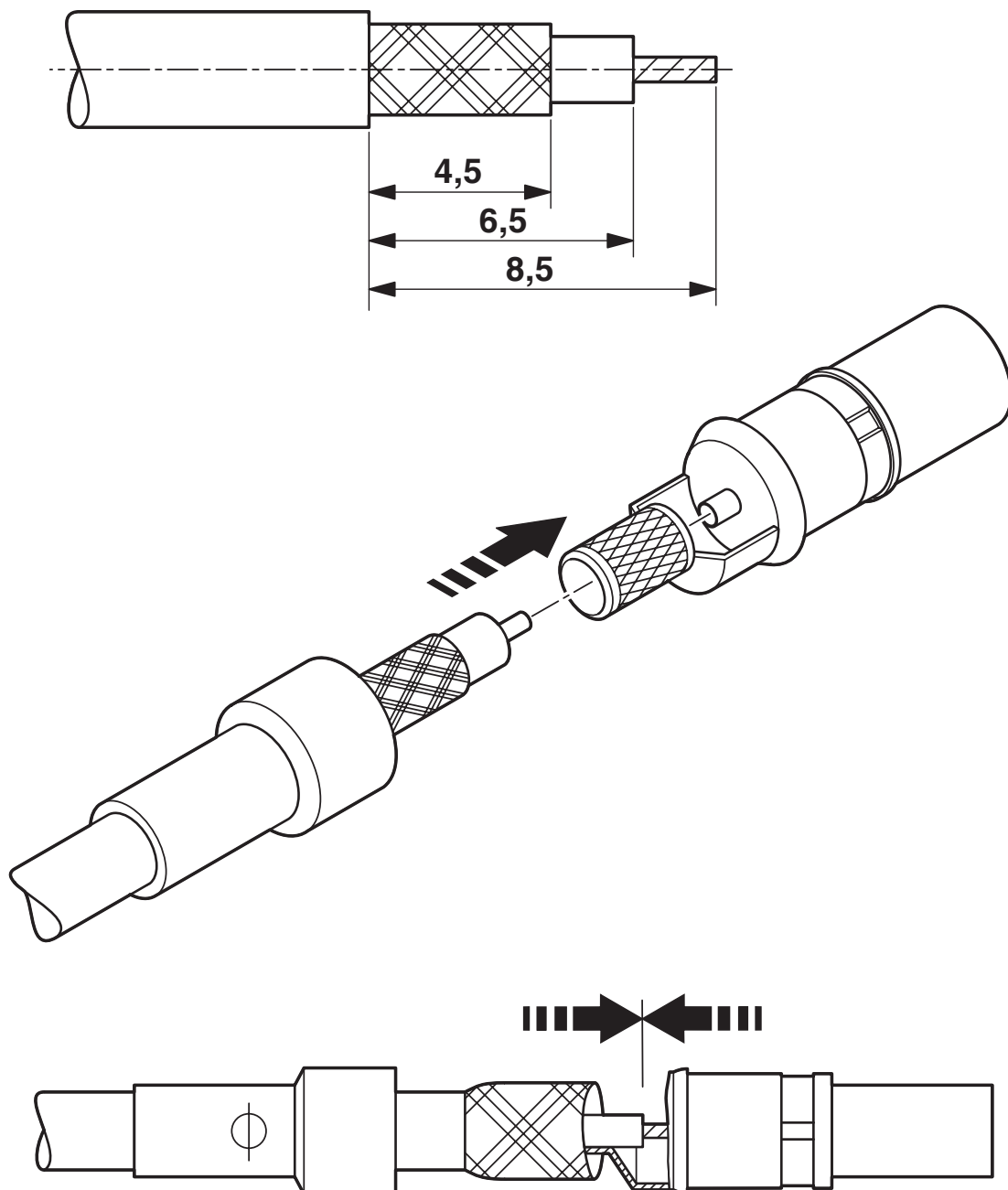
# HC-M-04-BU-KOAX-50 - Coaxial contact

1676802

<https://www.phoenixcontact.com/us/products/1676802>

## Drawings

Schematic diagram



### Assembly instruction:

RG cables 174/U; 188A/U; 316/U; 179B/U; 187A/U. Prepare the cable (see diagram) and slide the sleeve over the cable. Then solder the wire to the coaxial contact and lay the braided shield over the ridges of the contact. Slide the sleeve over the braided shield and crimp the shield/cable along the narrow contact collar.

# HC-M-04-BU-KOAX-50 - Coaxial contact



1676802

<https://www.phoenixcontact.com/us/products/1676802>

## Classifications

### ECLASS

ECLASS-11.0

27440204

### ETIM

ETIM 8.0

EC000796

### UNSPSC

UNSPSC 21.0

39121500

# HC-M-04-BU-KOAX-50 - Coaxial contact



1676802

<https://www.phoenixcontact.com/us/products/1676802>

## Environmental product compliance

### EU RoHS

Fulfills EU RoHS substance requirements	Yes, No exemptions
---	--------------------

### China RoHS

Environment friendly use period (EFUP)	EFUP-E
	No hazardous substances above the limits

### EU REACH SVHC

REACH candidate substance (CAS No.)	No substance above 0.1 wt%
-------------------------------------	----------------------------

Phoenix Contact 2024 © - all rights reserved  
<https://www.phoenixcontact.com>

Phoenix Contact USA  
586 Fulling Mill Road  
Middletown, PA 17057, United States  
(+717) 944-1300  
[info@phoenixcon.com](mailto:info@phoenixcon.com)