

# HC-B 6-SML-52/O2PG16 - Housing

1675230

<https://www.phoenixcontact.com/gb/products/1675230>

Please be informed that the data shown in this PDF document is generated from our online catalog. Please find the complete data in the user documentation. Our general terms of use for downloads are valid.

Box mounting base, with single locking latch, height 52 mm, without screw connection, 2x Pg16



## Commercial data

|                                      |                     |
|--------------------------------------|---------------------|
| Item number                          | 1675230             |
| Packing unit                         | 10 pc               |
| Minimum order quantity               | 10 pc               |
| Sales key                            | BF7AAC              |
| Product key                          | BF7AAC              |
| Catalog page                         | Page 488 (C-4-2013) |
| GTIN                                 | 4017918149987       |
| Weight per piece (including packing) | 203.92 g            |
| Weight per piece (excluding packing) | 203.92 g            |
| Customs tariff number                | 85389099            |
| Country of origin                    | DE                  |

# HC-B 6-SML-52/O2PG16 - Housing

1675230

<https://www.phoenixcontact.com/gb/products/1675230>

## Technical data

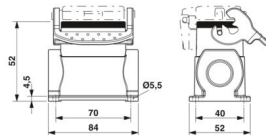
### Notes

|         |  |
|---------|--|
| General | For contact inserts HC-B6, BB10, DD24, M |
|---------|--|

### Product properties

|                              |                            |
|------------------------------|----------------------------|
| Product type                 | Housing with locking latch |
| Housing type                 | Box mounting bases         |
| Application                  | Standard                   |
| Type                         | B6                         |
| No. of cable outlets         | 2                          |
| Type of the screw connection | 2x Pg16                    |
| Cable outlet                 | lateral                    |
| Pg screw connection          | none                       |

### Dimensions

|                     |  |
|---------------------|--|
| Dimensional drawing |  |
| Width               | 52 mm  |
| Height              | 52 mm  |
| Length              | 84 mm  |

### Material specifications

|                          |                             |
|--------------------------|-----------------------------|
| Seal material            | NBR                         |
| Housing material         | die-cast aluminum           |
| Housing surface material | Powder-coated, gray         |
| Locking latch material   | Stainless steel, handle: PA |

### Mechanical properties

#### Mechanical data

|                              |         |
|------------------------------|---------|
| Type of the screw connection | 2x Pg16 |
| Locking type                 | Latch   |

### Environmental and real-life conditions

#### Ambient conditions

|                                 |                   |
|---------------------------------|-------------------|
| Degree of protection            | IP65              |
| Ambient temperature (operation) | -40 °C ... 125 °C |

# HC-B 6-SML-52/O2PG16 - Housing

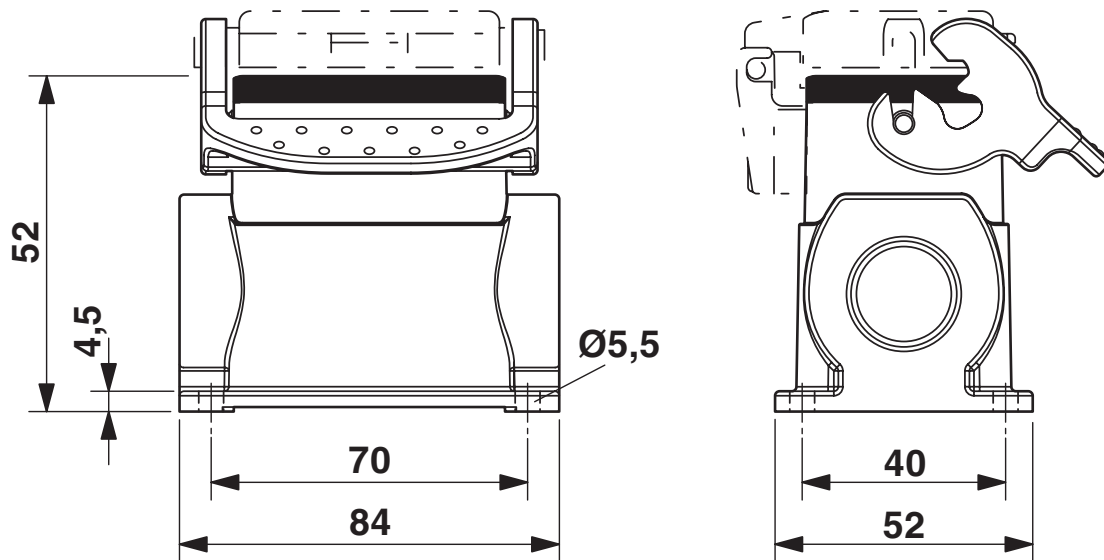
1675230

<https://www.phoenixcontact.com/gb/products/1675230>



## Drawings

Dimensional drawing



Dimensional drawing

# HC-B 6-SML-52/O2PG16 - Housing



1675230

<https://www.phoenixcontact.com/gb/products/1675230>

## Classifications

### ECLASS

|             |          |
|-------------|----------|
| ECLASS-11.0 | 27440202 |
| ECLASS-13.0 | 27440202 |

### UNSPSC

|             |          |
|-------------|----------|
| UNSPSC 21.0 | 31261501 |
|-------------|----------|

# HC-B 6-SML-52/O2PG16 - Housing



1675230

<https://www.phoenixcontact.com/gb/products/1675230>

## Environmental product compliance

### China RoHS

|  |  |
|--|--|
| Environment friendly use period (EFUP) | EFUP-E                                   |
|  | No hazardous substances above the limits |

### EU REACH SVHC

|                                     |                            |
|-------------------------------------|----------------------------|
| REACH candidate substance (CAS No.) | No substance above 0.1 wt% |
|-------------------------------------|----------------------------|

# HC-B 6-SML-52/O2PG16 - Housing

1675230

<https://www.phoenixcontact.com/gb/products/1675230>

## Accessories

### G-INS-PG16-S68N-PNES-GY - Cable gland

1411144

<https://www.phoenixcontact.com/gb/products/1411144>



Cable gland, material for screw connection: PA, application: Standard, external cable diameter 10 mm ... 14 mm, shielding: no, connecting thread: Pg16, color: silver-grey RAL 7001

---

### G-INS-PG16-S68N-NNES-S - Cable gland

1411174

<https://www.phoenixcontact.com/gb/products/1411174>



Cable gland, material for screw connection: Brass, nickel-plated, application: Standard, external cable diameter 10 mm ... 14 mm, shielding: no, connecting thread: Pg16, color: silver, with O-ring

# HC-B 6-SML-52/O2PG16 - Housing

1675230

<https://www.phoenixcontact.com/gb/products/1675230>



## G-INSEC-PG16-S68N-NNES-S - Cable gland

1411199

<https://www.phoenixcontact.com/gb/products/1411199>



Cable gland, material for screw connection: Brass, nickel-plated, application: EMC, external cable diameter 10 mm ... 14 mm, shielding: yes, connecting thread: Pg16, color: silver, with O-ring

---

## HC-BS-PG16 - Screw plug

1674516

<https://www.phoenixcontact.com/gb/products/1674516>



Screw plug, material for screw connection: Brass, nickel-plated, connecting thread: Pg16, color: silver

---

Phoenix Contact 2024 © - all rights reserved  
<https://www.phoenixcontact.com>

PHOENIX CONTACT Ltd  
Halesfield 13, Telford  
Shropshire, TF7 4PG  
01952 681700  
[info@phoenixcontact.co.uk](mailto:info@phoenixcontact.co.uk)