

# HC-B 6-SML-52/O1PG16 - Housing

1675214

<https://www.phoenixcontact.com/gb/products/1675214>

Please be informed that the data shown in this PDF document is generated from our online catalog. Please find the complete data in the user documentation. Our general terms of use for downloads are valid.

Box mounting base, with single locking latch, height 52 mm, without screw connection, 1x Pg16



## Commercial data

Item number	1675214
Packing unit	10 pc
Minimum order quantity	10 pc
Sales key	BF7AAC
Product key	BF7AAC
Catalog page	Page 488 (C-4-2013)
GTIN	4017918149970
Weight per piece (including packing)	208.68 g
Weight per piece (excluding packing)	202.9 g
Customs tariff number	85389099
Country of origin	DE

# HC-B 6-SML-52/O1PG16 - Housing

1675214

<https://www.phoenixcontact.com/gb/products/1675214>

## Technical data

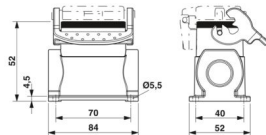
### Notes

General	For contact inserts HC-B6, BB10, DD24, M
---------	--

### Product properties

Product type	Housing with locking latch
Housing type	Box mounting bases
Application	Standard
Type	B6
No. of cable outlets	1
Type of the screw connection	1x Pg16
Cable outlet	left (view of the opened single locking latch)
Pg screw connection	none

### Dimensions

Dimensional drawing	
Width	52 mm
Height	52 mm
Length	84 mm

### Material specifications

Seal material	NBR
Housing material	die-cast aluminum
Housing surface material	Powder-coated, gray
Locking latch material	Stainless steel, handle: PA

### Mechanical properties

#### Mechanical data

Type of the screw connection	1x Pg16
Locking type	Latch

### Environmental and real-life conditions

#### Ambient conditions

Degree of protection	IP65
Ambient temperature (operation)	-40 °C ... 125 °C

# HC-B 6-SML-52/O1PG16 - Housing

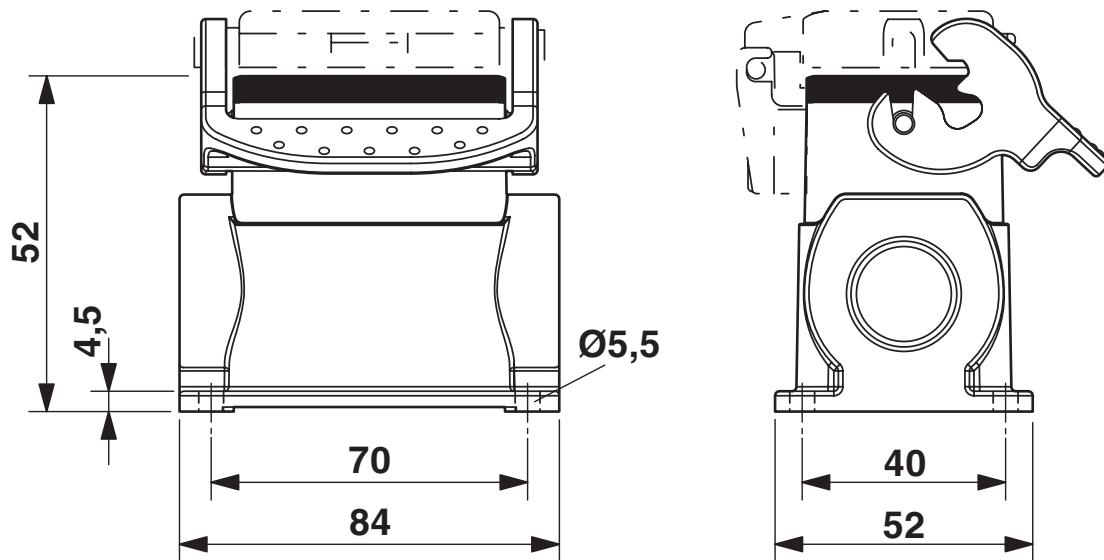


1675214

<https://www.phoenixcontact.com/gb/products/1675214>

## Drawings

Dimensional drawing



Dimensional drawing

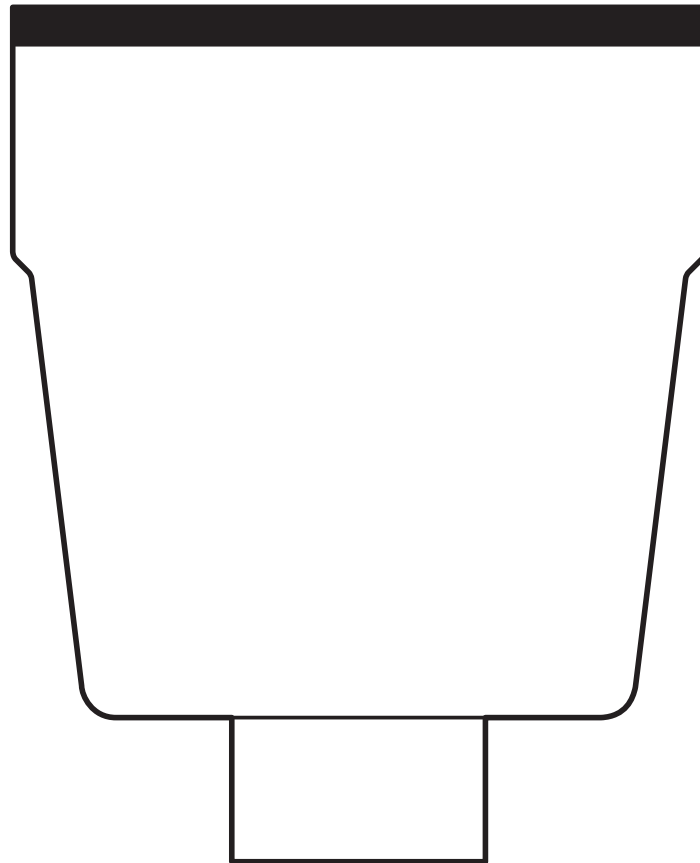
# HC-B 6-SML-52/O1PG16 - Housing

1675214

<https://www.phoenixcontact.com/gb/products/1675214>



Schematic diagram



# HC-B 6-SML-52/O1PG16 - Housing



1675214

<https://www.phoenixcontact.com/gb/products/1675214>

## Classifications

### ECLASS

ECLASS-11.0	27440202
ECLASS-13.0	27440202

### UNSPSC

UNSPSC 21.0	31261501
-------------	----------

1675214

<https://www.phoenixcontact.com/gb/products/1675214>

## Environmental product compliance

### EU RoHS

Fulfills EU RoHS substance requirements	Yes, No exemptions
---	--------------------

### China RoHS

Environment friendly use period (EFUP)	EFUP-E
	No hazardous substances above the limits

### EU REACH SVHC

REACH candidate substance (CAS No.)	No substance above 0.1 wt%
-------------------------------------	----------------------------

# HC-B 6-SML-52/O1PG16 - Housing

1675214

<https://www.phoenixcontact.com/gb/products/1675214>

## Accessories

### G-INS-PG16-S68N-PNES-GY - Cable gland

1411144

<https://www.phoenixcontact.com/gb/products/1411144>



Cable gland, material for screw connection: PA, application: Standard, external cable diameter 10 mm ... 14 mm, shielding: no, connecting thread: Pg16, color: silver-grey RAL 7001

---

### G-INS-PG16-S68N-NNES-S - Cable gland

1411174

<https://www.phoenixcontact.com/gb/products/1411174>



Cable gland, material for screw connection: Brass, nickel-plated, application: Standard, external cable diameter 10 mm ... 14 mm, shielding: no, connecting thread: Pg16, color: silver, with O-ring

# HC-B 6-SML-52/O1PG16 - Housing

1675214

<https://www.phoenixcontact.com/gb/products/1675214>



## G-INSEC-PG16-S68N-NNES-S - Cable gland

1411199

<https://www.phoenixcontact.com/gb/products/1411199>



Cable gland, material for screw connection: Brass, nickel-plated, application: EMC, external cable diameter 10 mm ... 14 mm, shielding: yes, connecting thread: Pg16, color: silver, with O-ring

---

## HC-BS-PG16 - Screw plug

1674516

<https://www.phoenixcontact.com/gb/products/1674516>



Screw plug, material for screw connection: Brass, nickel-plated, connecting thread: Pg16, color: silver

---

Phoenix Contact 2024 © - all rights reserved  
<https://www.phoenixcontact.com>

PHOENIX CONTACT Ltd  
Halesfield 13, Telford  
Shropshire, TF7 4PG  
01952 681700  
[info@phoenixcontact.co.uk](mailto:info@phoenixcontact.co.uk)