

CK2,5-ED-0,50BU AU - Crimp contact



1674859

<https://www.phoenixcontact.com/us/products/1674859>

Please be informed that the data shown in this PDF document is generated from our online catalog. Please find the complete data in the user documentation. Our general terms of use for downloads are valid.



Crimp contact, contact diameter: 2.5 mm, turned, Socket, contact material: Copper alloy, contact surface: gold-plated, connection cross section: 0.5 mm² ... 0.5 mm², AWG 20

Commercial data

Item number	1674859
Packing unit	100 pc
Minimum order quantity	100 pc
Sales key	BF65
Product key	BF7AID
Catalog page	Page 509 (C-2-2019)
GTIN	4017918135553
Weight per piece (including packing)	1.623 g
Weight per piece (excluding packing)	1.305 g
Customs tariff number	85366990
Country of origin	DE

CK2,5-ED-0,50BU AU - Crimp contact



1674859

<https://www.phoenixcontact.com/us/products/1674859>

Technical data

Notes

General	for HC-M-06..., HC-M-HV-, HC-M-08-, HC-M-20-, HC-A..., HC-B.., HC-BB..., HC-BBB..., and HC-HV contact carriers
---------	----------------------------------------------------------------------------------------------------------------

Mounting

Assembly note	At voltages of < 5 V and currents < 5 mA, gold-plated contacts are recommended.
	The quality of a crimp connection is determined by DIN EN 60352-2.

Product properties

Product type	Crimp contact
Series	HC-M-06
	HC-M-HV
	HC-M-08
	HC-A
	HC-BB
	HC-B
	HC-HV
	HC-M-20
	HC-K
	HC-BBB
	HC-Q
	HC-COM
	HC-M-EMV
Type	Individual female contact
Contact material type	turned

Connection data

Connection method	Crimp connection
Contact connection type	Socket
Connection technology	Crimp connection
Conductor cross section	0.5 mm ² ... 0.5 mm ²
Connection cross section AWG	20
Stripping length of the individual wire	7.5 mm (9.5 mm at HC-M-HV...)
Conductor cross section flexible	0.5 mm ² ... 0.5 mm ²

Material specifications

Contact material	Copper alloy
Contact surface material	gold-plated

Dimensions

CK2,5-ED-0,50BU AU - Crimp contact



1674859

<https://www.phoenixcontact.com/us/products/1674859>

Mechanical characteristics

Contact diameter	2.5 mm
------------------	--------

Mechanical properties

Mechanical data

Insertion/withdrawal cycles	≥ 500
-----------------------------	-------

Environmental and real-life conditions

Ambient conditions

Ambient temperature (operation)	-40 °C ... 125 °C
---------------------------------	-------------------

CK2,5-ED-0,50BU AU - Crimp contact

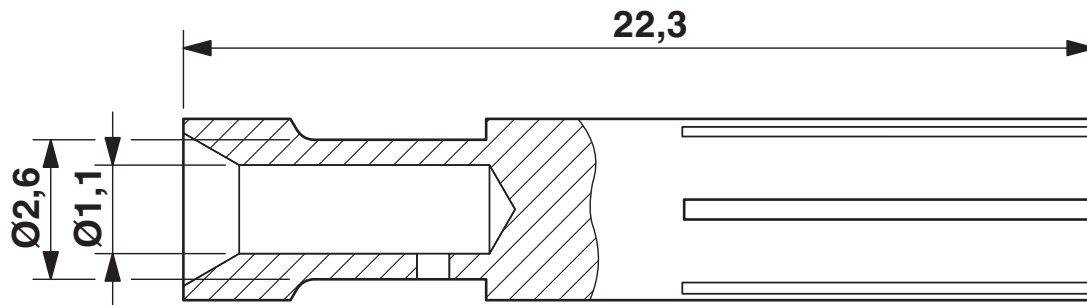


1674859

<https://www.phoenixcontact.com/us/products/1674859>

Drawings

Dimensional drawing



Dimensional drawing

CK2,5-ED-0,50BU AU - Crimp contact



1674859

<https://www.phoenixcontact.com/us/products/1674859>

Approvals

To download certificates, visit the product detail page: <https://www.phoenixcontact.com/us/products/1674859>



EAC

Approval ID: RU C-DE.AI30.B.01102

CK2,5-ED-0,50BU AU - Crimp contact



1674859

<https://www.phoenixcontact.com/us/products/1674859>

Classifications

ECLASS

ECLASS-11.0	27440204
ECLASS-12.0	27440204
ECLASS-13.0	27440204

ETIM

ETIM 9.0	EC000796
----------	----------

UNSPSC

UNSPSC 21.0	39121500
-------------	----------

CK2,5-ED-0,50BU AU - Crimp contact



1674859

<https://www.phoenixcontact.com/us/products/1674859>

Environmental product compliance

EU RoHS

Fulfills EU RoHS substance requirements	Yes, No exemptions
-----------------------------------------	--------------------

China RoHS

Environment friendly use period (EFUP)	EFUP-E
	No hazardous substances above the limits

EU REACH SVHC

REACH candidate substance (CAS No.)	No substance above 0.1 wt%
-------------------------------------	----------------------------

Phoenix Contact 2024 © - all rights reserved
<https://www.phoenixcontact.com>

Phoenix Contact USA
586 Fulling Mill Road
Middletown, PA 17057, United States
(+717) 944-1300
info@phoenixcon.com