

# HC-M-PN3-1,60-BU-V - Pneumatic contact



1663543

<https://www.phoenixcontact.com/us/products/1663543>

Please be informed that the data shown in this PDF document is generated from our online catalog. Please find the complete data in the user documentation. Our general terms of use for downloads are valid.

Pneumatic socket with valve, for HC-M-PN3 module, internal hose diameter of 1.6 mm



## Commercial data

Item number	1663543
Packing unit	10 pc
Minimum order quantity	10 pc
Sales key	BF62
Product key	BF7ACZ
Catalog page	Page 593 (C-2-2019)
GTIN	4017918123352
Weight per piece (including packing)	1.01 g
Weight per piece (excluding packing)	0.962 g
Customs tariff number	39174000
Country of origin	CN

# HC-M-PN3-1,60-BU-V - Pneumatic contact



1663543

<https://www.phoenixcontact.com/us/products/1663543>

## Technical data

### Product properties

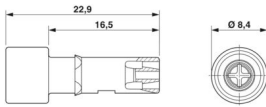
Product type	Pneumatic contact
Series	HC-M-03-PN
Type	Individual female contact
Integrated valve	Yes

### Connection data

#### Connection technology

Connection technology	Hose connection
-----------------------	-----------------

### Dimensions

Dimensional drawing	
Width	8.2 mm
Height	8.2 mm
Depth	23.1 mm
Diameter	1.6 mm

#### Mechanical characteristics

Internal diameter of pressure hose connection	1.6 mm
Contact diameter	5.2 mm

### Material specifications

Material Valve	Polypropylene
Seal material	Buna-N
Contact material	Delrin acetal

### Mechanical properties

#### Mechanical data

Insertion/withdrawal cycles	≥ 500
-----------------------------	-------

### Characteristics

Operating pressure	8.00 bar
--------------------	----------

### Environmental and real-life conditions

#### Ambient conditions

Ambient temperature (operation)	-40 °C ... 80 °C
---------------------------------	------------------

# HC-M-PN3-1,60-BU-V - Pneumatic contact

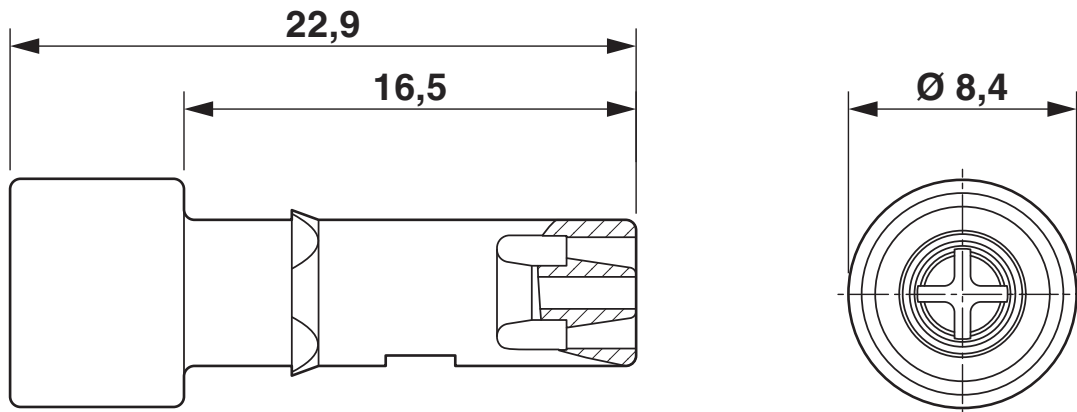


1663543

<https://www.phoenixcontact.com/us/products/1663543>

## Drawings

Dimensional drawing



# HC-M-PN3-1,60-BU-V - Pneumatic contact



1663543

<https://www.phoenixcontact.com/us/products/1663543>

## Approvals

To download certificates, visit the product detail page: <https://www.phoenixcontact.com/us/products/1663543>



**EAC**

Approval ID: RU C-DE.AI30.B.01102

# HC-M-PN3-1,60-BU-V - Pneumatic contact



1663543

<https://www.phoenixcontact.com/us/products/1663543>

## Classifications

### ECLASS

ECLASS-11.0	27440204
ECLASS-12.0	27440204
ECLASS-13.0	27440204

### ETIM

ETIM 9.0	EC000796
----------	----------

### UNSPSC

UNSPSC 21.0	39121500
-------------	----------

# HC-M-PN3-1,60-BU-V - Pneumatic contact



1663543

<https://www.phoenixcontact.com/us/products/1663543>

## Environmental product compliance

### EU RoHS

Fulfills EU RoHS substance requirements	Yes, No exemptions
-----------------------------------------	--------------------

### China RoHS

Environment friendly use period (EFUP)	EFUP-E
	No hazardous substances above the limits

### EU REACH SVHC

REACH candidate substance (CAS No.)	No substance above 0.1 wt%
-------------------------------------	----------------------------

Phoenix Contact 2024 © - all rights reserved  
<https://www.phoenixcontact.com>

Phoenix Contact USA  
586 Fulling Mill Road  
Middletown, PA 17057, United States  
(+717) 944-1300  
[info@phoenixcon.com](mailto:info@phoenixcon.com)