

# SM-36KP007 - Crimp contact



1605752

<https://www.phoenixcontact.com/ca/products/1605752>

Please be informed that the data shown in this PDF document is generated from our online catalog. Please find the complete data in the user documentation. Our general terms of use for downloads are valid.



Crimp contact, Pin, turned, Single contact, contact diameter: 3.6 mm, crimp range: 6 mm<sup>2</sup> ... 10 mm<sup>2</sup>, Alternative product in accordance with RoHS II without Exemption 6c (Pb < 0.1 %) item no. : 1241975

## Your advantages

- Crimping connection: vibration- and temperature-resistant assembly
- High tensile strength of the connection
- Low contact resistance
- Easy production monitoring

## Commercial data

|                                      |                     |
|--------------------------------------|---------------------|
| Item number                          | 1605752             |
| Packing unit                         | 1 pc                |
| Minimum order quantity               | 1 pc                |
| Sales key                            | AB38                |
| Product key                          | ABREAH              |
| Catalog page                         | Page 169 (C-2-2019) |
| GTIN                                 | 4046356254601       |
| Weight per piece (including packing) | 6.935 g             |
| Weight per piece (excluding packing) | 6.935 g             |
| Customs tariff number                | 85366990            |
| Country of origin                    | DE                  |

# SM-36KP007 - Crimp contact



1605752

<https://www.phoenixcontact.com/ca/products/1605752>

## Technical data

### Product properties

|                       |               |
|-----------------------|---------------|
| Product type          | Crimp contact |
| Contact material type | turned        |

### Connection data

|                         |  |
|-------------------------|--|
| Connection method       | Crimp connection                         |
| Contact connection type | Pin                                      |
| Conductor cross section | 6 mm <sup>2</sup> ... 10 mm <sup>2</sup> |

### Material specifications

|                  |  |
|------------------|--|
| Contact surface  | Nickel-plated (Ni), with gold coating (Au) |
| Contact material | CuZn                                       |

### Dimensions

#### Mechanical characteristics

|                  |        |
|------------------|--------|
| Contact diameter | 3.6 mm |
|------------------|--------|

### Mechanical properties

#### Mechanical data

|                             |     |
|-----------------------------|-----|
| Insertion/withdrawal cycles | 100 |
|-----------------------------|-----|

# SM-36KP007 - Crimp contact

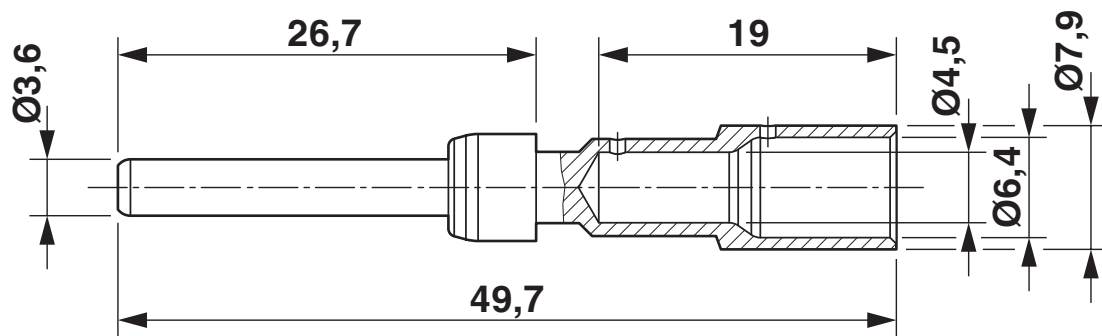
1605752

<https://www.phoenixcontact.com/ca/products/1605752>



## Drawings

Dimensional drawing



Dimensional drawing

# SM-36KP007 - Crimp contact



1605752

<https://www.phoenixcontact.com/ca/products/1605752>

## Classifications

### ECLASS

|             |          |
|-------------|----------|
| ECLASS-11.0 | 27440204 |
| ECLASS-12.0 | 27440204 |
| ECLASS-13.0 | 27440204 |

### ETIM

|          |          |
|----------|----------|
| ETIM 9.0 | EC000796 |
|----------|----------|

### UNSPSC

|             |          |
|-------------|----------|
| UNSPSC 21.0 | 39121500 |
|-------------|----------|

# SM-36KP007 - Crimp contact



1605752

<https://www.phoenixcontact.com/ca/products/1605752>

## Environmental product compliance

### EU RoHS

|   |      |
|---|------|
| Fulfills EU RoHS substance requirements | Yes  |
| Exemption                               | 6(c) |

### China RoHS

|  |   |
|--|---|
| Environment friendly use period (EFUP) | EFUP-50   |
|  | An article-related China RoHS declaration table can be found in the download area for the respective article under "Manufacturer declaration". For all articles with EFUP-E, no China RoHS declaration table issued and required. |

### EU REACH SVHC

|                                     |                                      |
|-------------------------------------|--------------------------------------|
| REACH candidate substance (CAS No.) | Lead(CAS: 7439-92-1)                 |
| SCIP                                | 35f84e95-40b0-4cbb-9ac1-8e74c998c6e3 |

Phoenix Contact 2024 © - all rights reserved

<https://www.phoenixcontact.com>

PHOENIX CONTACT Ltd  
8240 Parkhill Drive  
Milton, Ontario L9T 5V7  
1-800-890-2820  
[cdinfo@phoenixcontact.ca](mailto:cdinfo@phoenixcontact.ca)