

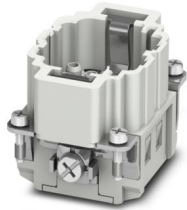
HC-BB10-I-CT-M - Contact insert



1584774

<https://www.phoenixcontact.com/nz/products/1584774>

Please be informed that the data shown in this PDF document is generated from our online catalog. Please find the complete data in the user documentation. Our general terms of use for downloads are valid.



Contact insert, number of positions: 10+PE, size: B6, number of connections per position: 1, Pin, Crimp connection, 500 V, 16 A, 0.5 mm² ... 4 mm²

Your advantages

- For fast coding with plastic profile (Order No. 1410916, type CP-HC-S)

Commercial data

| | |
|--------------------------------------|---------------------|
| Item number | 1584774 |
| Packing unit | 1 pc |
| Minimum order quantity | 1 pc |
| Sales key | BF7ABD |
| Product key | BF7ABD |
| Catalog page | Page 555 (C-2-2019) |
| GTIN | 4046356149211 |
| Weight per piece (including packing) | 41.1 g |
| Weight per piece (excluding packing) | 40 g |
| Country of origin | CN |

HC-BB10-I-CT-M - Contact insert



1584774

<https://www.phoenixcontact.com/nz/products/1584774>

Technical data

Notes

| | |
|---------|--|
| General | For HEAVYCON ADVANCE and HEAVYCON housing of B6 type, crimp contacts CK 2,5-ED (crimp contacts not included in the scope of supply). |
| General | Connectors may be operated only when there is no load/voltage. |

Mounting

| | |
|-----------------------|---|
| Assembly instructions | To ensure correct use, installation in housing with IP54 protection or better is required |
|-----------------------|---|

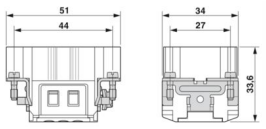
Product properties

| | |
|------------------------------------|--|
| Type | B6 |
| Product type | Contact insert with a fixed no. of positions |
| Number of positions | 10 |
| Connection profile | 10+PE |
| Contact numbering | 1 - 10 |
| Number of connections per position | 1 |
| Contact material type | turned |
| Series | HC-BB |

Insulation characteristics

| | |
|----------------------|-----|
| Overvoltage category | III |
| Degree of pollution | 3 |

Dimensions

| | |
|---------------------------------|--|
| Dimensional drawing |  |
| Width | 34 mm |
| Height | 33.2 mm |
| Length | 51 mm |
| Drill hole distance, horizontal | 44 mm |
| Drill hole distance, vertical | 27 mm |

Mechanical characteristics

| | |
|------------------------|--------|
| Minimum housing height | 72 mm |
| Contact diameter | 2.5 mm |

Connection data

Connection technology

| | |
|-----------------------|------------------|
| Connection technology | Crimp connection |
|-----------------------|------------------|

HC-BB10-I-CT-M - Contact insert



1584774

<https://www.phoenixcontact.com/nz/products/1584774>

| | |
|------------------------------------|----------|
| Number of connections per position | 1 |
| Connection in acc. with standard | IEC / EN |

Conductor connection

| | |
|---|--|
| Conductor cross section | 0.5 mm ² ... 4 mm ² |
| Connection cross section AWG | 20 ... 12 |
| Tightening torque | 0.8 Nm ... 1.2 Nm (PE connection) |
| | 0.5 Nm ... 0.8 Nm (Mounting screws for mounting in the HEAVYCON housing) |
| Stripping length of the individual wire | 7.5 mm |

Electrical properties

| | |
|-----------------------|-------|
| Rated voltage (III/3) | 500 V |
| Rated surge voltage | 6 kV |
| Rated current | 16 A |

Mechanical properties

Mechanical data

| | |
|-----------------------------|-------|
| Insertion/withdrawal cycles | ≥ 500 |
|-----------------------------|-------|

Material specifications

| | |
|--|---|
| Flammability rating according to UL 94 | V0 |
| Contact material | Copper alloy |
| Contact surface material | Ag (alternatively Au) |
| Contact carrier material | PC |
| Standards/regulations | PC: Fire protection in rail vehicles - requirement sets R22, R23, and R24 acc. to DIN EN 45545-2 (Risk level HL1 - HL3) |

Environmental and real-life conditions

Ambient conditions

| | |
|---------------------------------|--|
| Ambient temperature (operation) | -40 °C ... 125 °C (including heating up of contacts) |
|---------------------------------|--|

Standards and regulations

Testing

| | |
|-----------------------|---|
| Standards/regulations | PC: Fire protection in rail vehicles - requirement sets R22, R23, and R24 acc. to DIN EN 45545-2 (Risk level HL1 - HL3) |
|-----------------------|---|

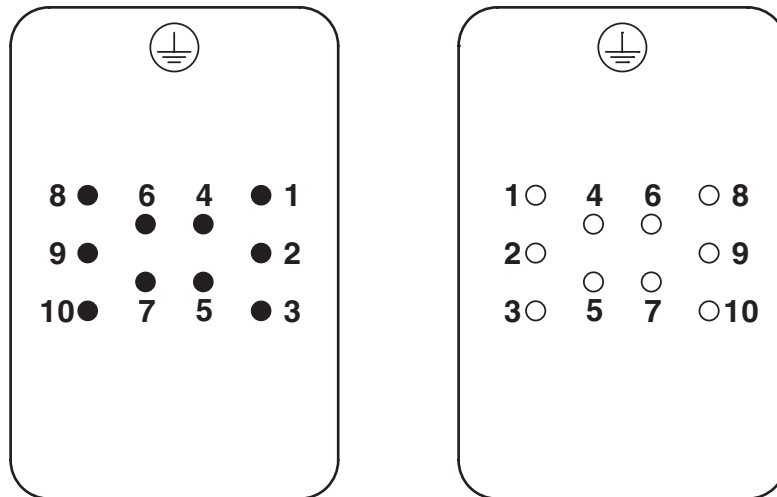
HC-BB10-I-CT-M - Contact insert

1584774

<https://www.phoenixcontact.com/nz/products/1584774>

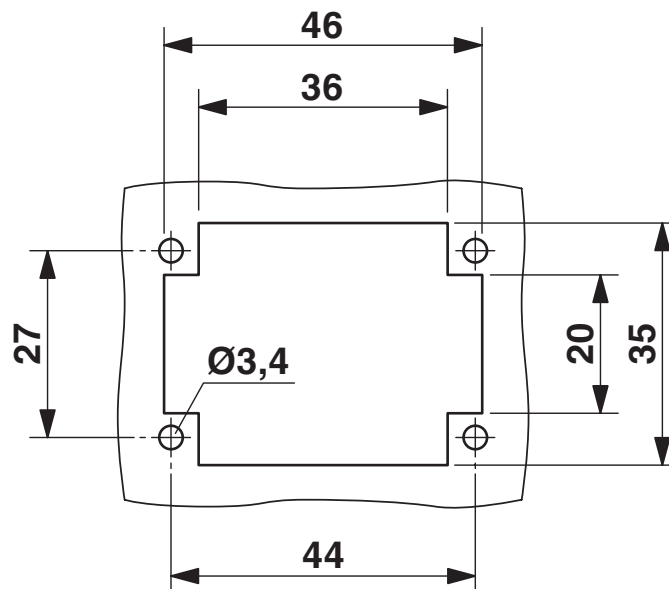
Drawings

Schematic diagram



Connector pin assignment: Left pin - right socket

Dimensional drawing



Mounting cutout when used without housing

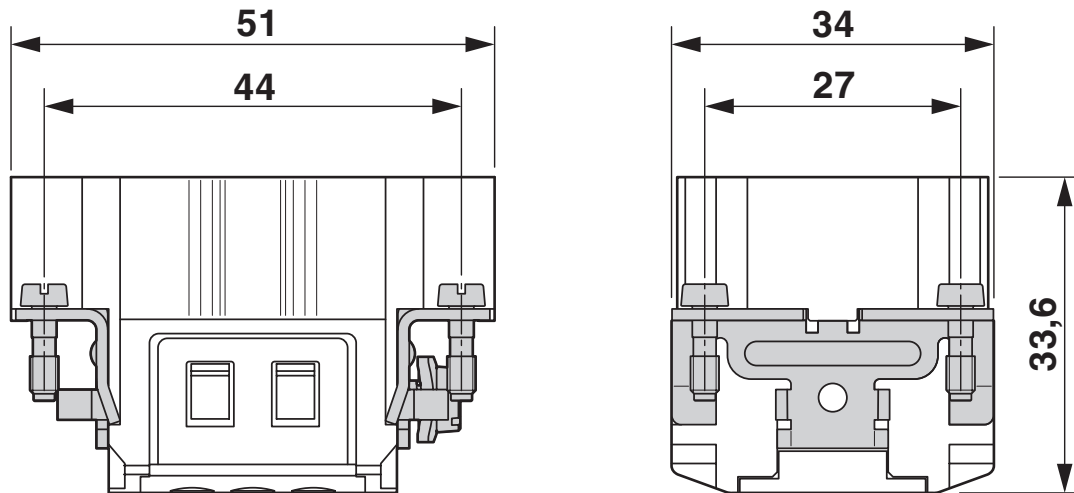
HC-BB10-I-CT-M - Contact insert

1584774

<https://www.phoenixcontact.com/nz/products/1584774>

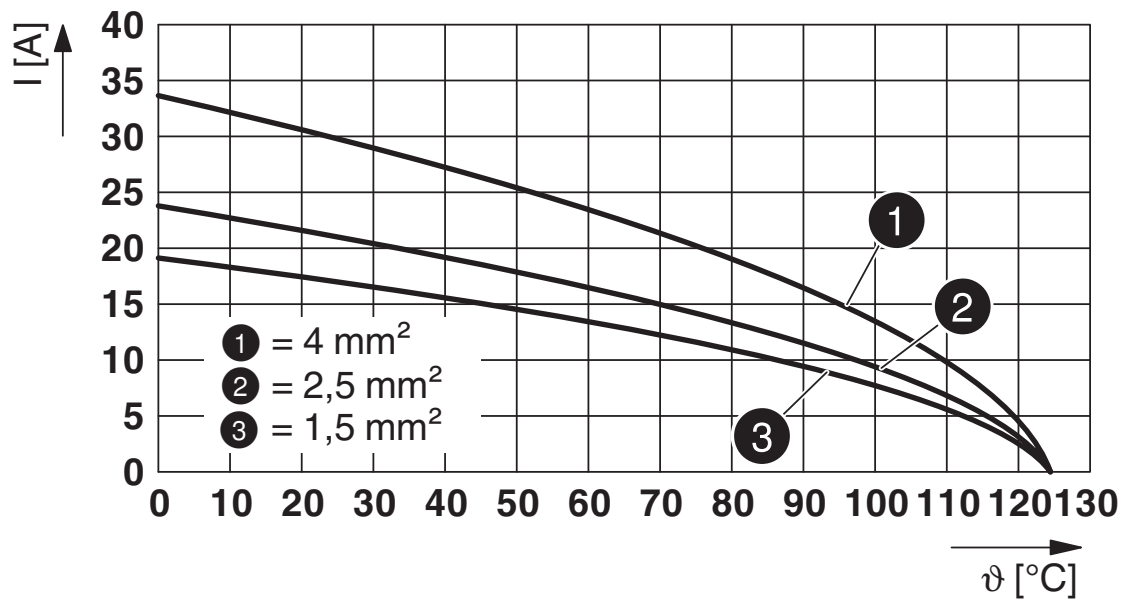


Dimensional drawing



Male insert

Diagram



Derating diagram

HC-BB10-I-CT-M - Contact insert



1584774

<https://www.phoenixcontact.com/nz/products/1584774>

Approvals

To download certificates, visit the product detail page: <https://www.phoenixcontact.com/nz/products/1584774>

DNV

Approval ID: TAE000037S



CSA

Approval ID: 013631_0_000

| | Nominal voltage U_N | Nominal current I_N | Cross section AWG | Cross section mm^2 |
|--|-----------------------|-----------------------|-------------------|-----------------------------|
| | 600 V | 18 A | - 12 | - |



UL Recognized

Approval ID: FILE E 118976

| | Nominal voltage U_N | Nominal current I_N | Cross section AWG | Cross section mm^2 |
|--|-----------------------|-----------------------|-------------------|-----------------------------|
| | 600 V | 20 A | - 12 | - |



EAC

Approval ID: RU C-DE.BL08.B.00511

HC-BB10-I-CT-M - Contact insert



1584774

<https://www.phoenixcontact.com/nz/products/1584774>

Classifications

ECLASS

| | |
|-------------|----------|
| ECLASS-11.0 | 27440205 |
| ECLASS-12.0 | 27440205 |
| ECLASS-13.0 | 27440205 |

ETIM

| | |
|----------|----------|
| ETIM 9.0 | EC000438 |
|----------|----------|

UNSPSC

| | |
|-------------|----------|
| UNSPSC 21.0 | 39121500 |
|-------------|----------|

HC-BB10-I-CT-M - Contact insert



1584774

<https://www.phoenixcontact.com/nz/products/1584774>

Environmental product compliance

| | |
|------------|---|
| China RoHS | Environmentally friendly use period: unlimited = EFUP-e |
| | No hazardous substances above threshold values |

Phoenix Contact 2024 © - all rights reserved
<https://www.phoenixcontact.com>

PHOENIX CONTACT Ltd
Unit 15C, 906-930 Great South Road, Penrose
Auckland 1061
0508 474 636
sales@phoenixcontact.co.nz