

HC-B 10-TFQ-N-O1M25S - Housing



1460268

<https://www.phoenixcontact.com/us/products/1460268>

Please be informed that the data shown in this PDF document is generated from our online catalog. Please find the complete data in the user documentation. Our general terms of use for downloads are valid.



Commercial data

Item number	1460268
Packing unit	1 pc
Note	Made to order (non-returnable)
Sales key	BF55
Product key	BF7AAC
GTIN	4046356794480
Weight per piece (including packing)	160.9 g
Weight per piece (excluding packing)	160.9 g
Customs tariff number	85389099
Country of origin	DE

HC-B 10-TFQ-N-O1M25S - Housing

1460268

<https://www.phoenixcontact.com/us/products/1460268>

Technical data

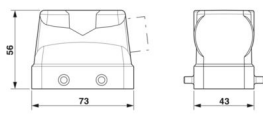
Notes

General	For contact inserts HC-B10, BB18, DD42, M, K8/24
---------	--

Product properties

Type	B10
Product type	Housing with locking latch
No. of cable outlets	1
Type of the screw connection	1x M25
Cable outlet	lateral
Pg screw connection	none

Dimensions

Dimensional drawing	
Width	43 mm
Height	56 mm
Length	73 mm

Material specifications

Housing surface material	Powder-coated, gray
Housing material	die-cast aluminum

Mechanical properties

Mechanical data

Type of the screw connection	1x M25
------------------------------	--------

Mounting

Assembly instructions	For half and full screw connections
-----------------------	-------------------------------------

Environmental and real-life conditions

Ambient conditions

Degree of protection	IP65
Ambient temperature (operation)	-40 °C ... 125 °C

HC-B 10-TFQ-N-O1M25S - Housing

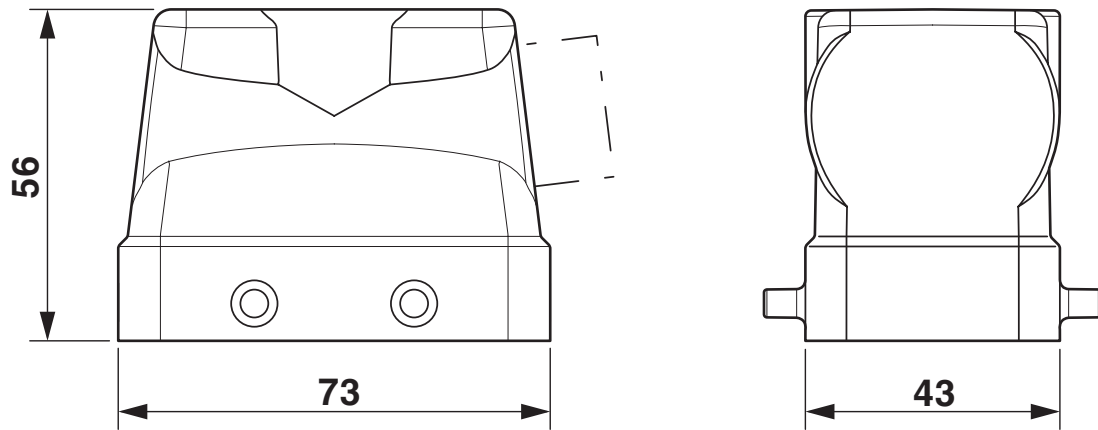


1460268

<https://www.phoenixcontact.com/us/products/1460268>

Drawings

Dimensional drawing



Dimensional drawing

HC-B 10-TFQ-N-O1M25S - Housing



1460268

<https://www.phoenixcontact.com/us/products/1460268>

Classifications

ECLASS

ECLASS-11.0	27440202
ECLASS-13.0	27440202

UNSPSC

UNSPSC 21.0	31261501
-------------	----------

HC-B 10-TFQ-N-O1M25S - Housing



1460268

<https://www.phoenixcontact.com/us/products/1460268>

Environmental product compliance

China RoHS	Environmentally friendly use period: unlimited = EFUP-e
	No hazardous substances above threshold values

Phoenix Contact 2024 © - all rights reserved
<https://www.phoenixcontact.com>

Phoenix Contact USA
586 Fulling Mill Road
Middletown, PA 17057, United States
(+717) 944-1300
info@phoenixcon.com